



US00D603790S

(12) **United States Design Patent**
Andren et al.

(10) **Patent No.:** **US D603,790 S**

(45) **Date of Patent:** **** Nov. 10, 2009**

(54) **RECHARGEABLE BATTERY**

(75) Inventors: **Sebastian Andren**, Malmo (SE); **Jorgen Segerstein**, Staffanstorp (SE)

(73) Assignee: **Jolife AB** (SE)

(**) Term: **14 Years**

(21) Appl. No.: **29/328,303**

(22) Filed: **Nov. 21, 2008**

(30) **Foreign Application Priority Data**

May 23, 2008 (SE) 2008/0317

(51) **LOC (9) Cl.** **13-02**

(52) **U.S. Cl.** **D13/103**

(58) **Field of Classification Search** D13/102–108,
D13/110, 118–119, 184; 429/96–100, 163,
429/176

See application file for complete search history.

(56) **References Cited**

U.S. PATENT DOCUMENTS

D439,217 S	*	3/2001	Melnicoff	D13/103
D503,673 S	*	4/2005	Rosengrant	D13/103
D512,018 S	*	11/2005	Matsuda et al.	D13/103
D515,499 S	*	2/2006	Matsuda et al.	D13/103
D529,438 S	*	10/2006	Viduya et al.	D13/103
D537,774 S	*	3/2007	Hussaini et al.	D13/103

D553,561 S	*	10/2007	Maggert	D13/103
D557,203 S	*	12/2007	Grunow et al.	D13/103
D562,760 S	*	2/2008	Hanks	D13/103
D569,794 S	*	5/2008	Zhang et al.	D13/103
D576,545 S	*	9/2008	Mandel et al.	D13/103
D580,351 S	*	11/2008	Elsmark et al.	D13/103

* cited by examiner

Primary Examiner—Jennifer Rivard

Assistant Examiner—Rosemary K Tarcza

(74) *Attorney, Agent, or Firm*—Ostrolenk Faber LLP

(57) **CLAIM**

The ornamental design for a rechargeable battery, as shown.

DESCRIPTION

FIG. 1 is a top, front, left side, perspective view of a battery charger showing our new design;

FIG. 2 is a top rear, left side perspective view thereof;

FIG. 3 is a top view thereof;

FIG. 4 is a front view thereof;

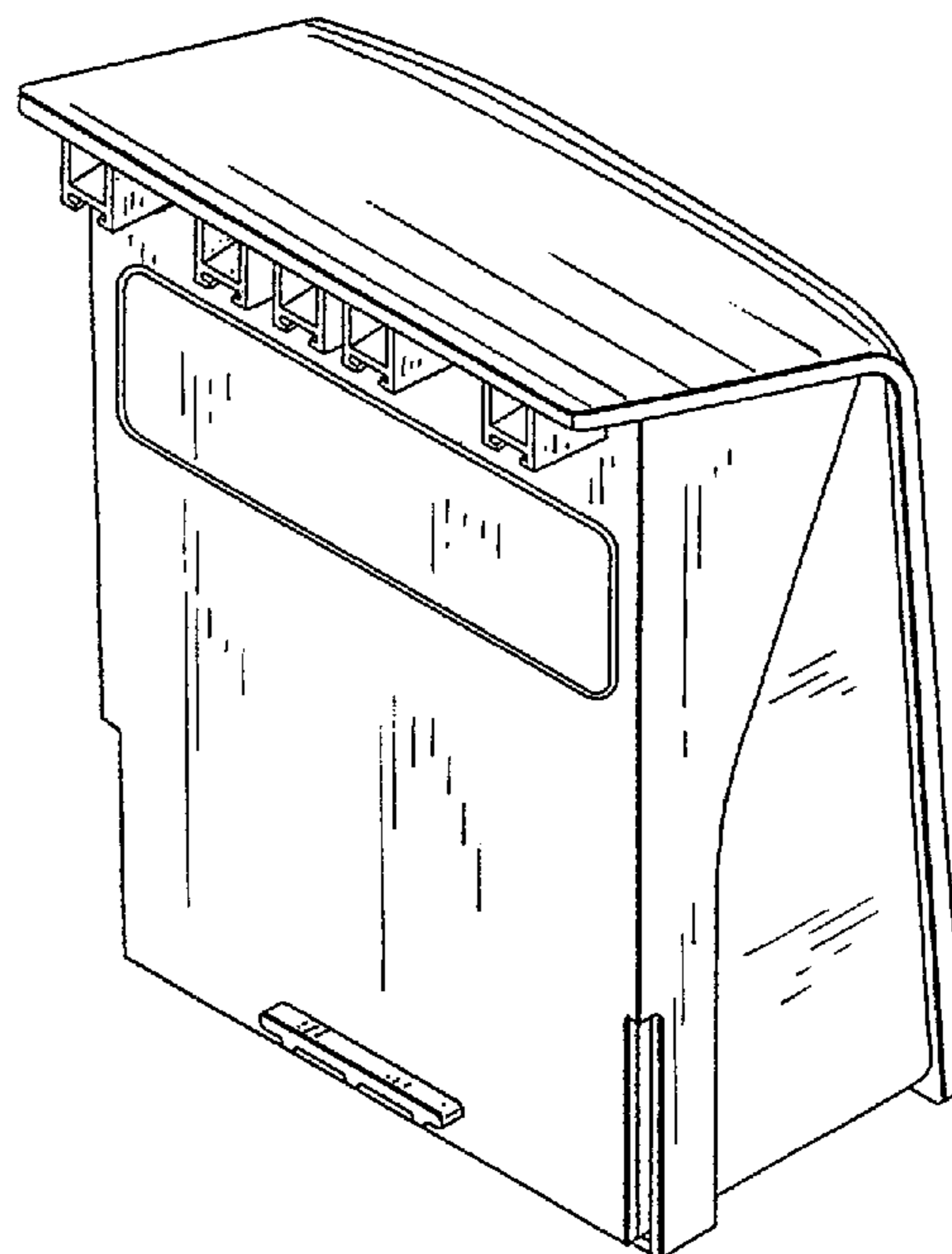
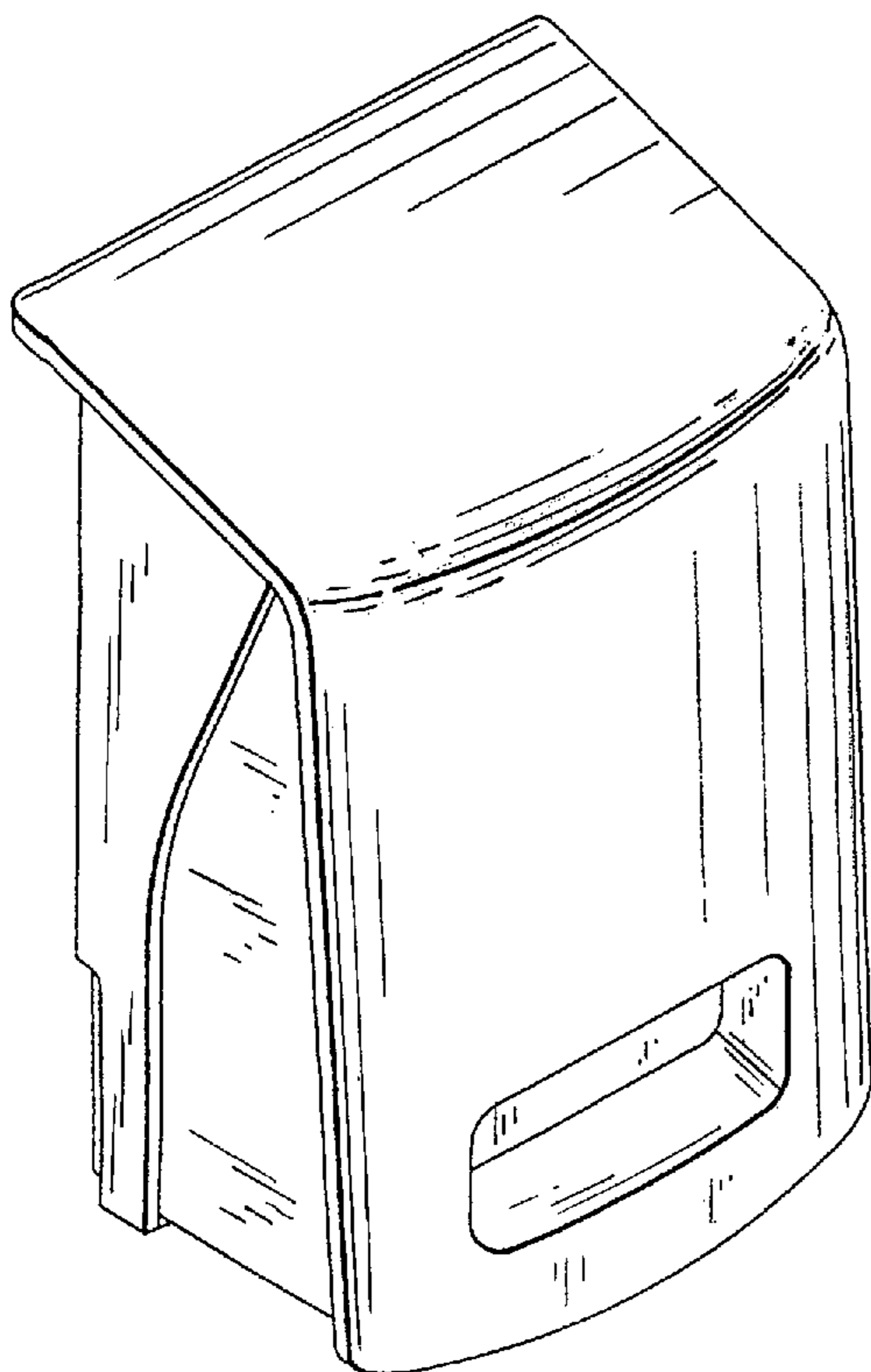
FIG. 5 is a left side view thereof, the opposite side view being a mirror image;

FIG. 6 is a rear view thereof;

FIG. 7 is a bottom view thereof; and,

FIG. 8 is a cross section view thereof on the line 8—8 of FIG. 4.

1 Claim, 4 Drawing Sheets



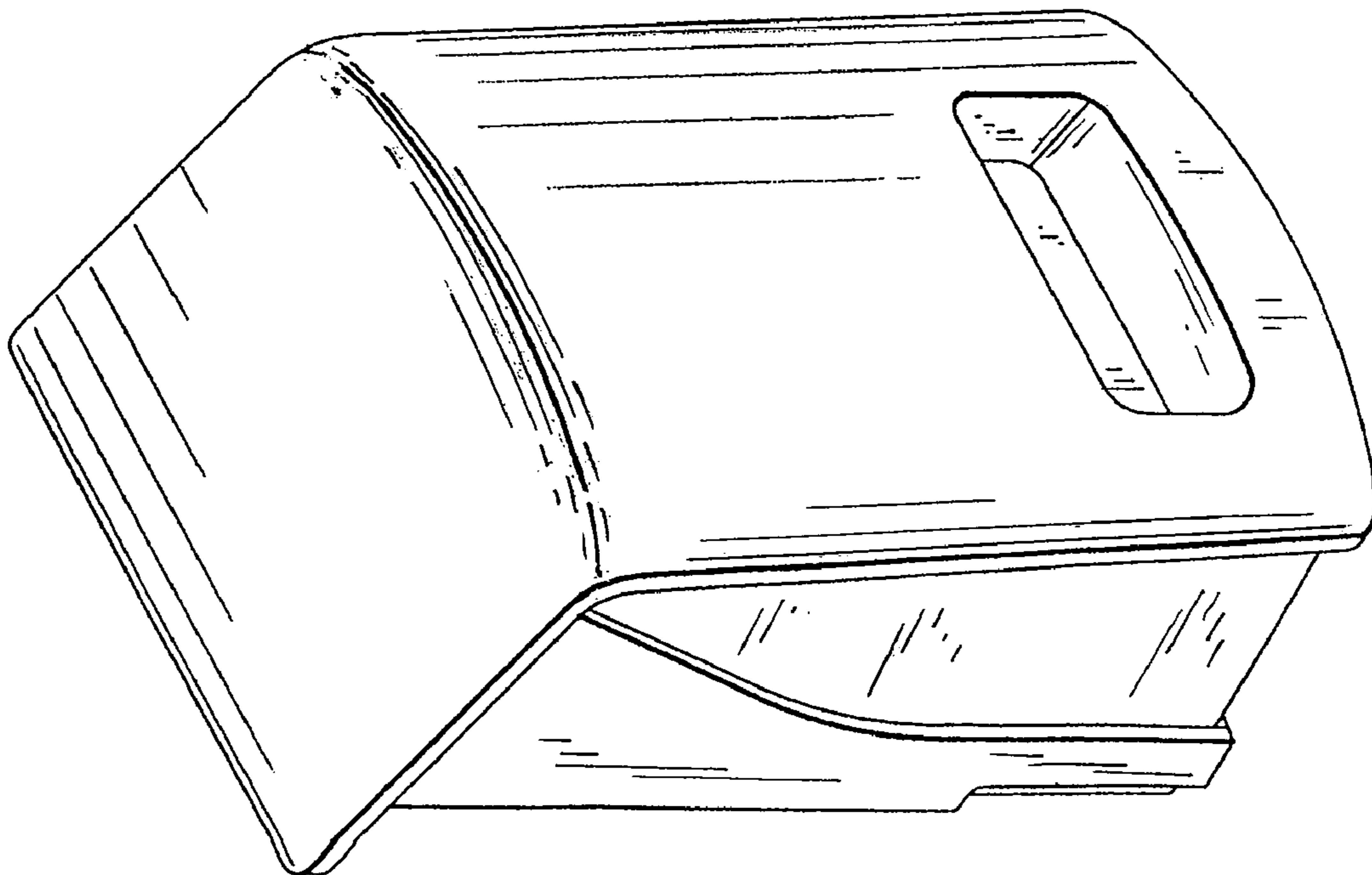


FIG. 1

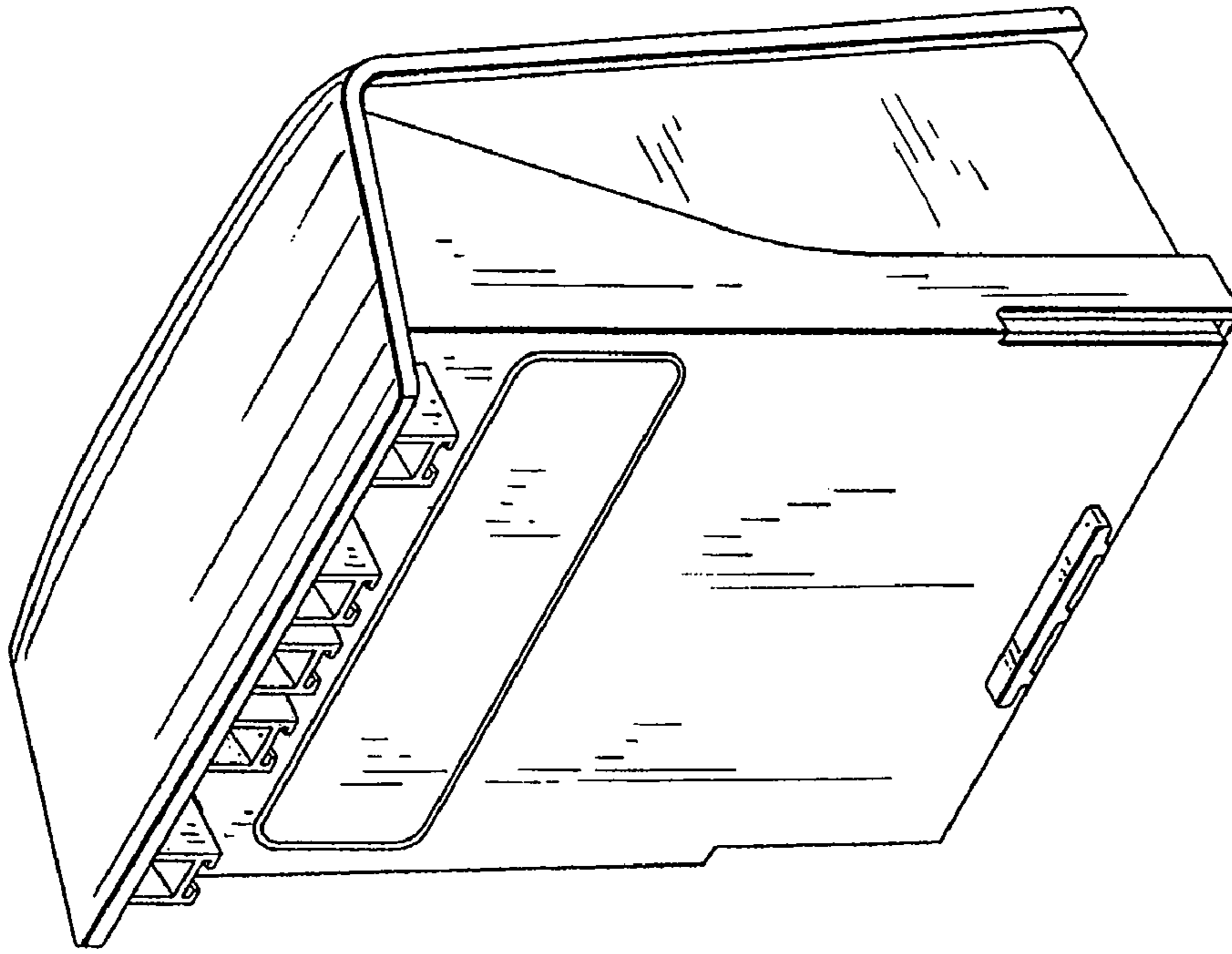


FIG. 2

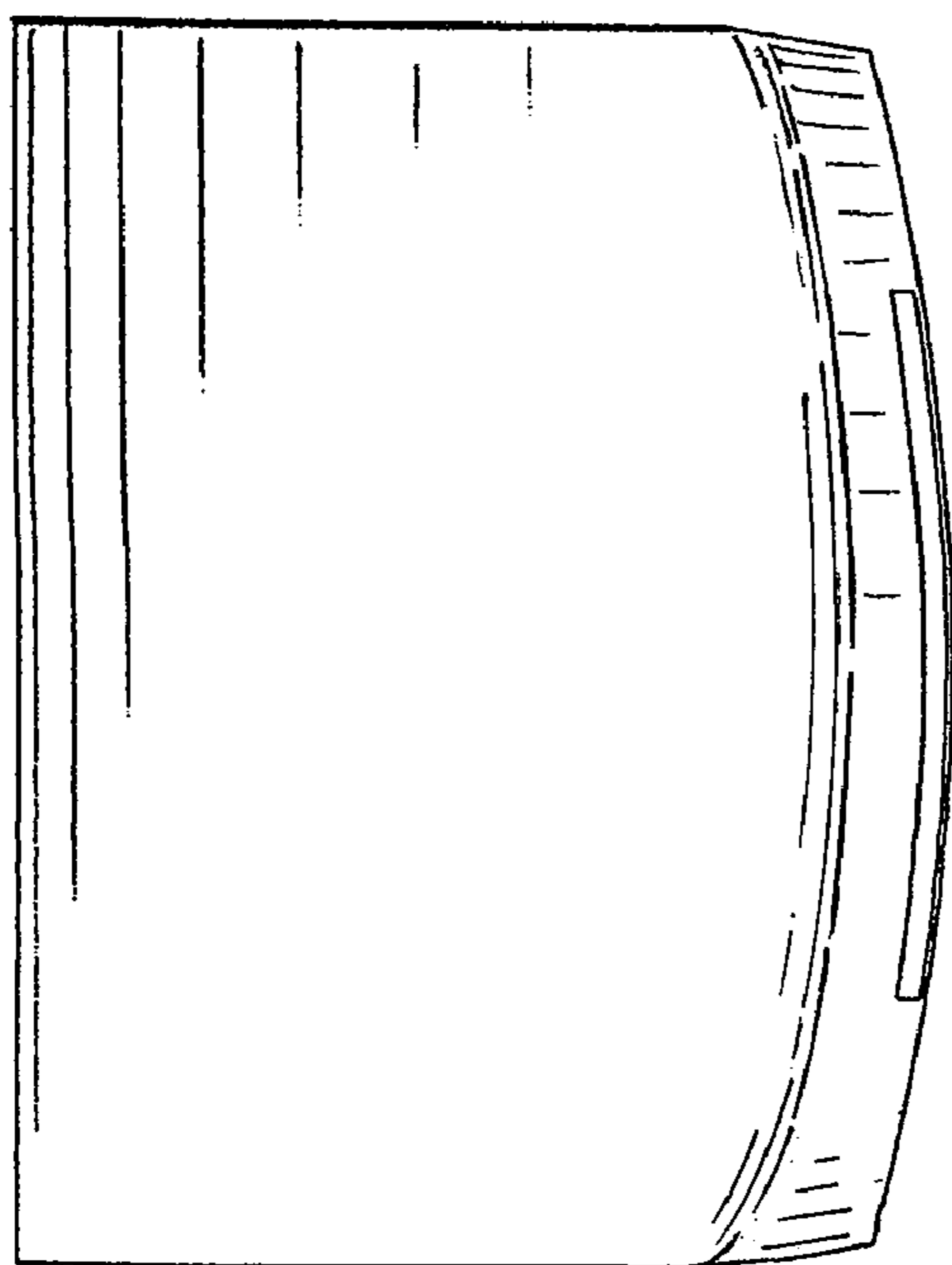


FIG. 3

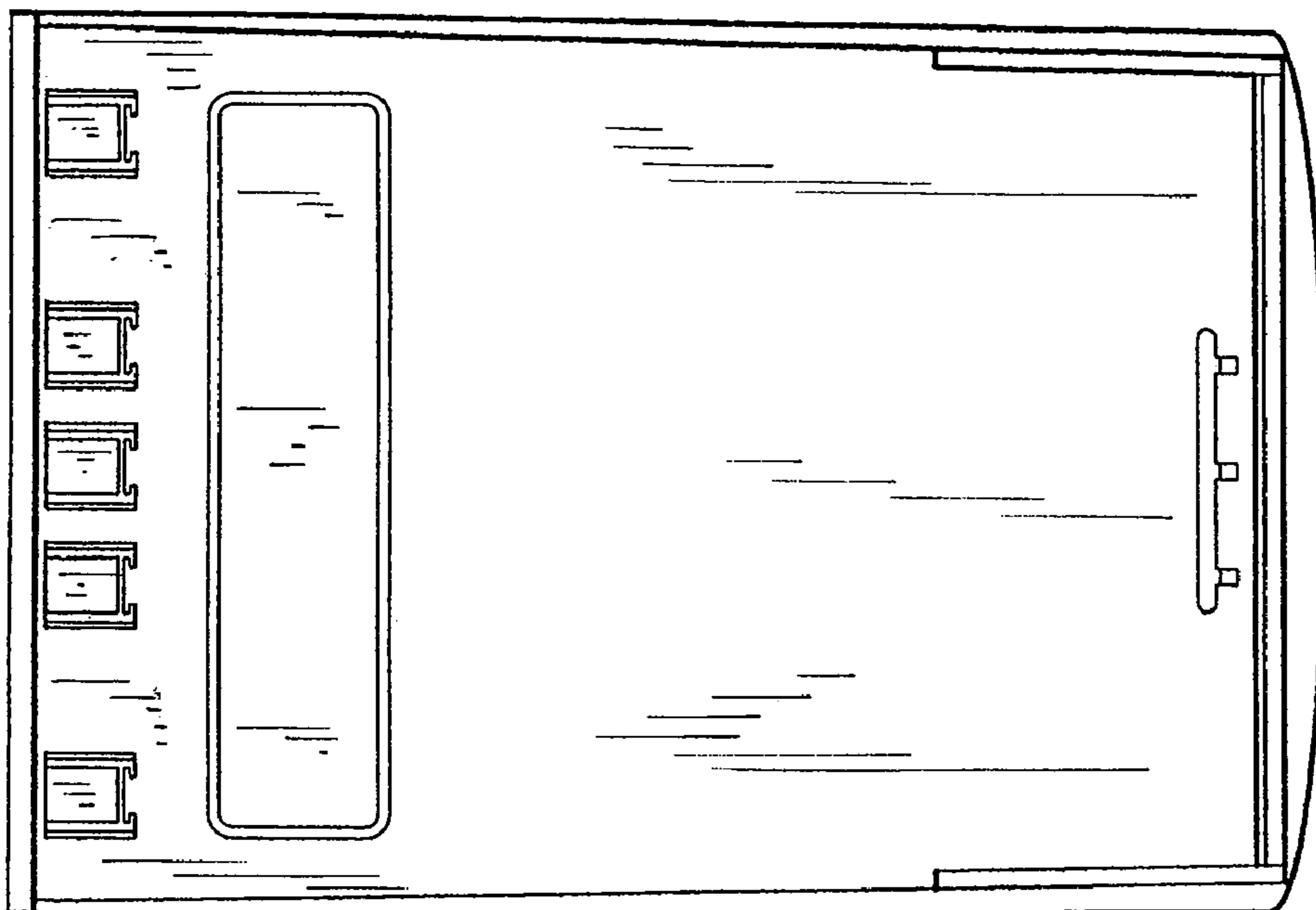


FIG. 6

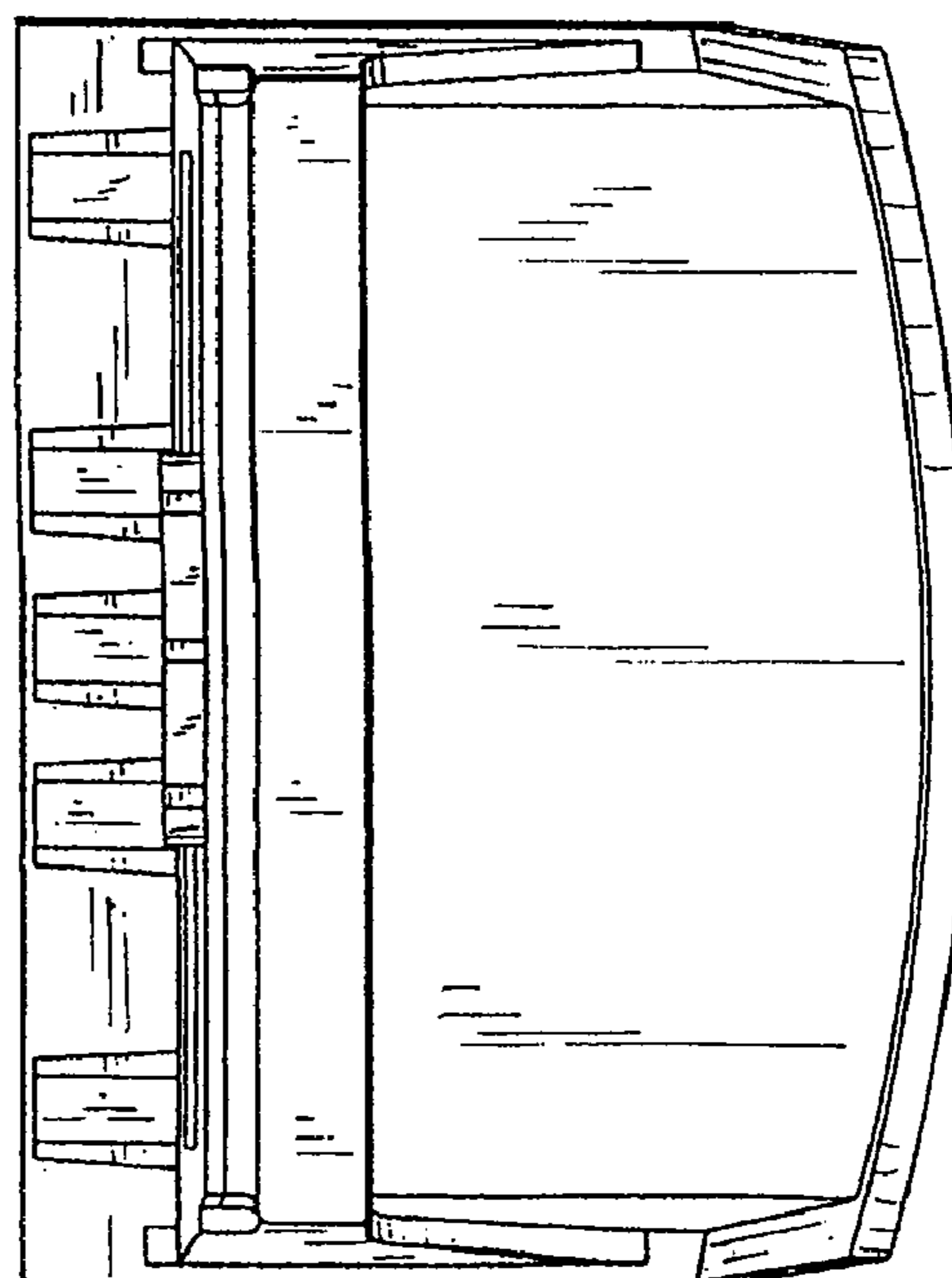


FIG. 7

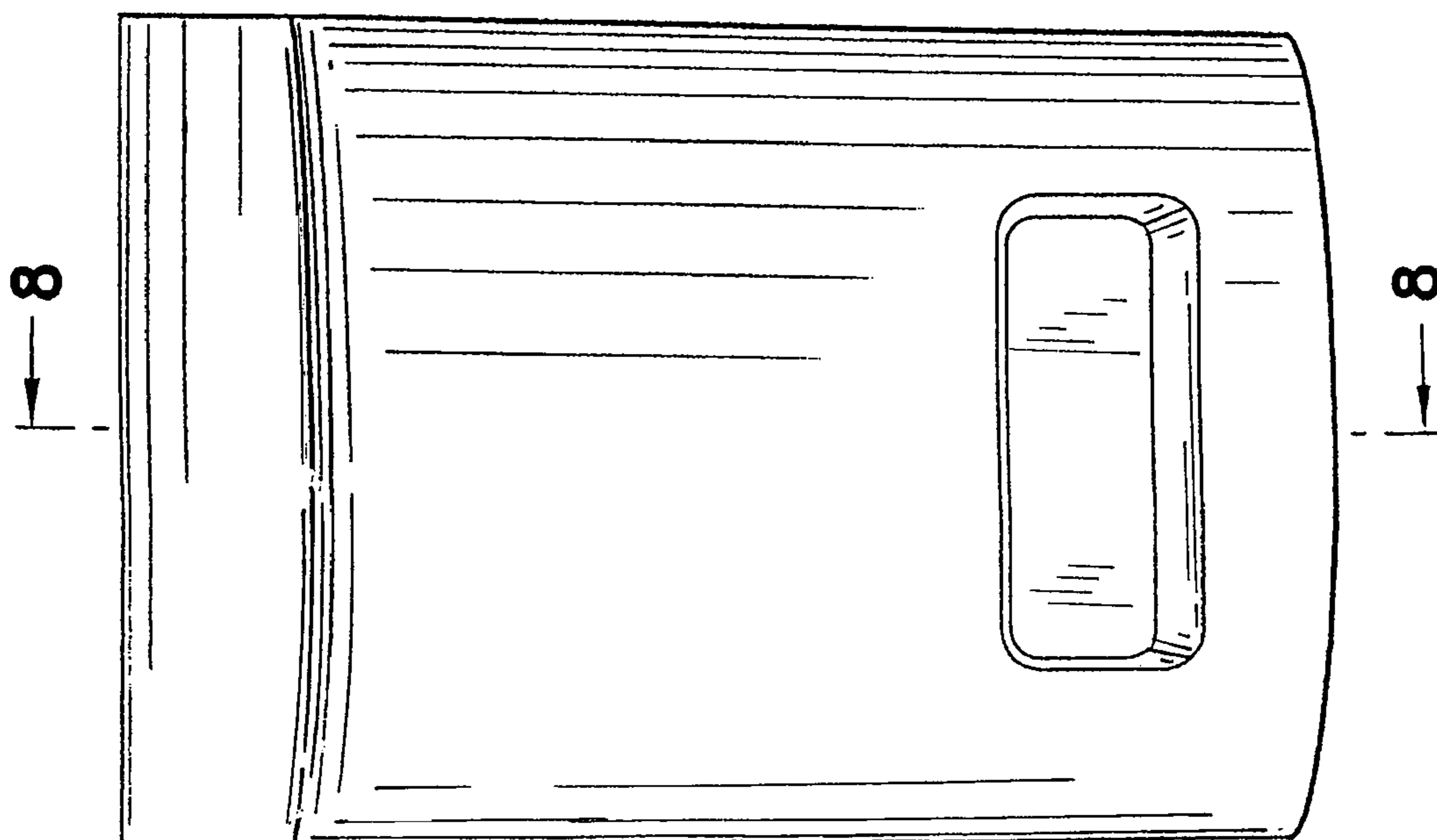


FIG. 4

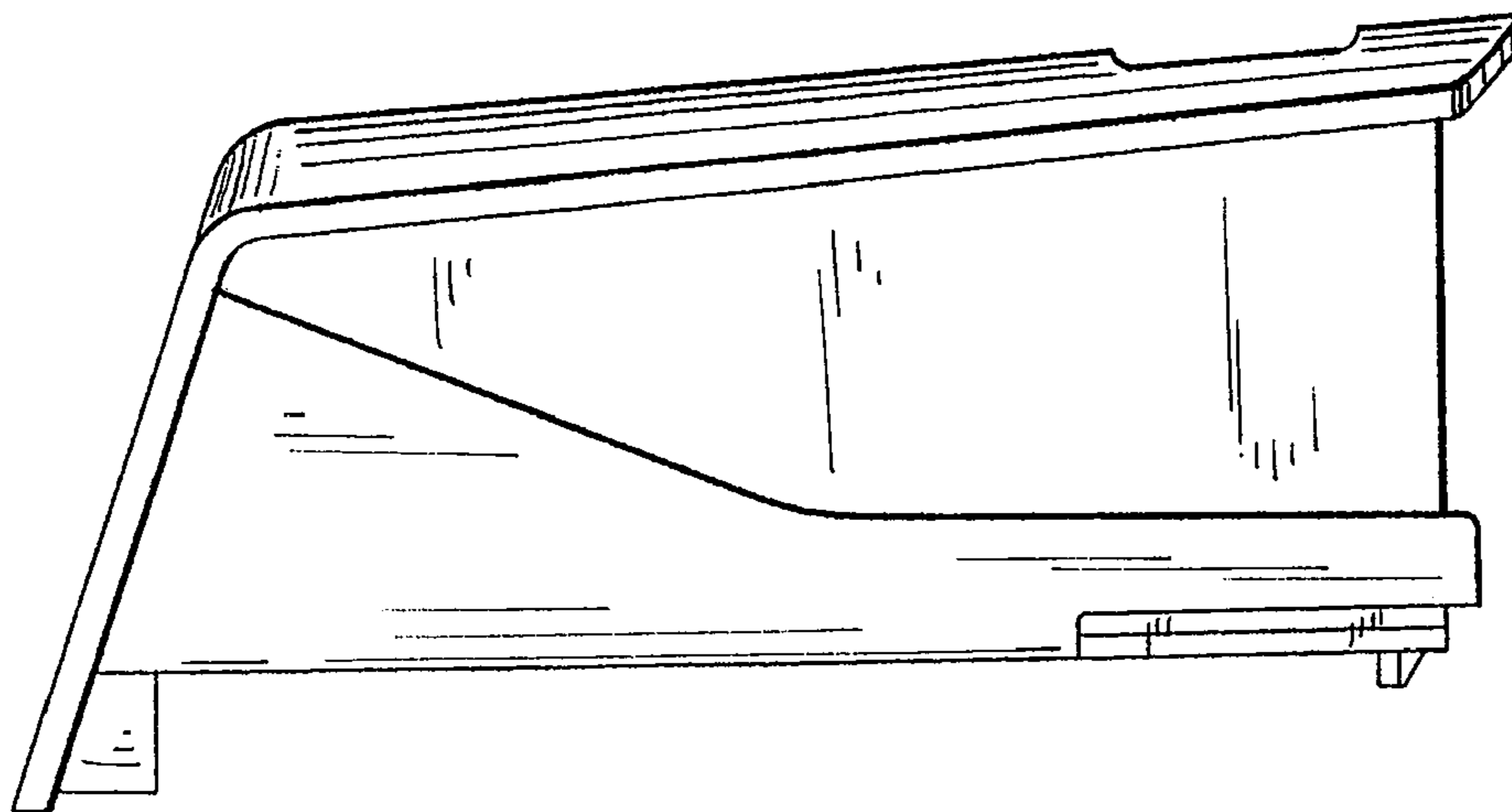


FIG. 5

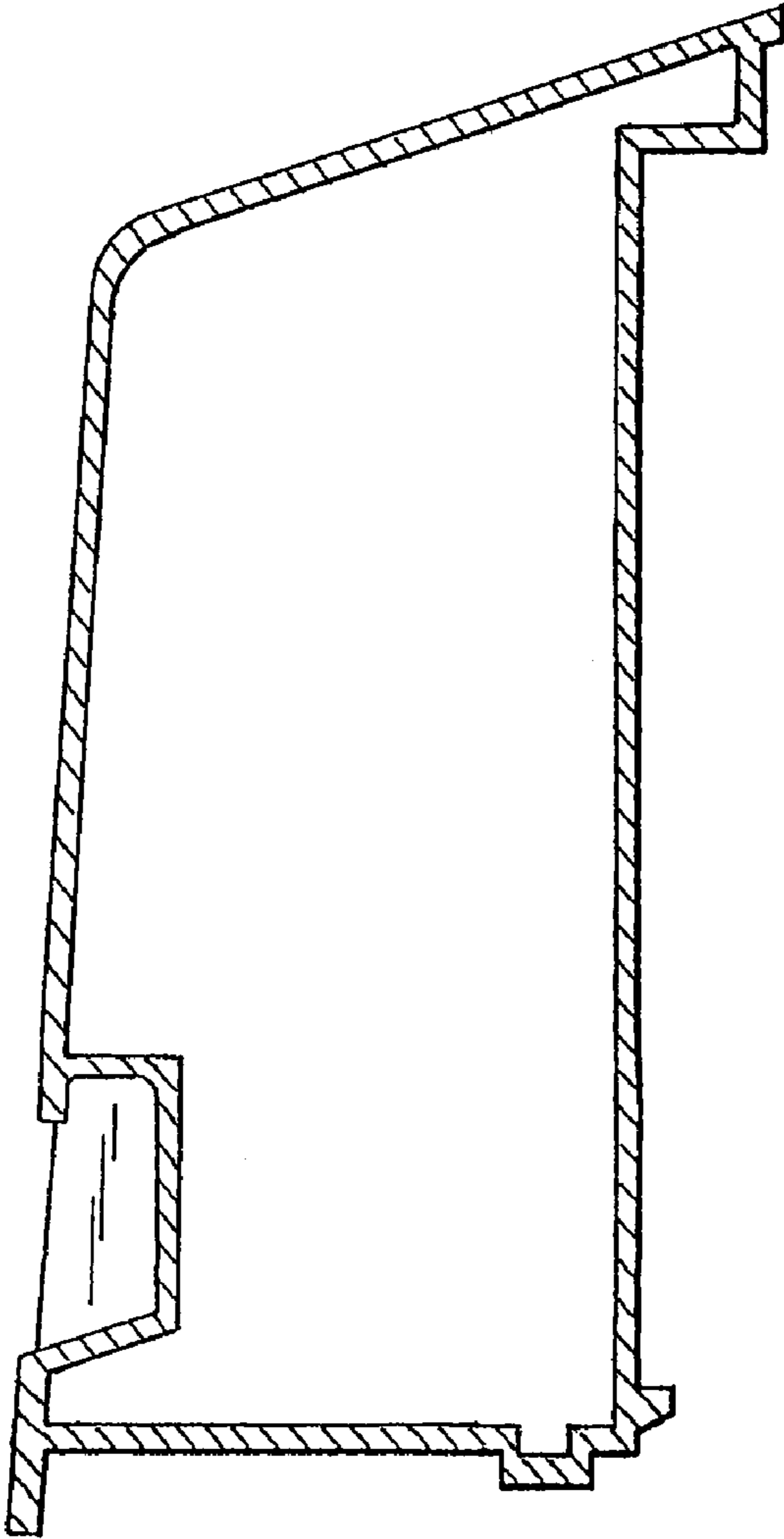


FIG.8