



US00D603785S

(12) **United States Design Patent**
Ochi

(10) **Patent No.:** **US D603,785 S**
(45) **Date of Patent:** **** Nov. 10, 2009**

(54) **TIRE TREAD**

(75) Inventor: **Naoya Ochi**, Tokyo (JP)

(73) Assignee: **Bridgestone Corporation**, Tokyo (JP)

(**) Term: **14 Years**

(21) Appl. No.: **29/303,630**

(22) Filed: **Feb. 13, 2008**

(51) **LOC (9) Cl.** **12-15**

(52) **U.S. Cl.** **D12/564**

(58) **Field of Classification Search** D12/533,
D12/540, 546-567, 900-901; 152/209.1,
152/209.8-209.19, 209.25, 209.28, 455
See application file for complete search history.

(56) **References Cited**

U.S. PATENT DOCUMENTS

D362,420 S * 9/1995 Heinen et al. D12/564
D448,721 S * 10/2001 Ochi D12/564
D512,682 S * 12/2005 Krenz et al. D12/564

FOREIGN PATENT DOCUMENTS

JP 1032415 S 2/1999

JP 1075795 S 6/2000
JP 1159780 S 12/2002
JP 1159781 S 12/2002
JP 1202481 S 4/2004

* cited by examiner

Primary Examiner—Stacia Cadmus

(74) *Attorney, Agent, or Firm*—Sughrue Mion, PLLC

(57) **CLAIM**

The ornamental design for a tire tread, shown and described.

DESCRIPTION

FIG. 1 is a perspective view of a tire tread, it being understood that the tread pattern repeats uniformly throughout the circumference of the tire.

FIG. 2 is a front elevation view thereof.

FIG. 3 is a left side elevation view thereof.

FIG. 4 is a right side elevation view thereof; and,

FIG. 5 is an enlarged fragmentary front view thereof.

The portion of the article shown in broken lines is for illustrative purpose only and forms no part of the claimed design.

1 Claim, 5 Drawing Sheets

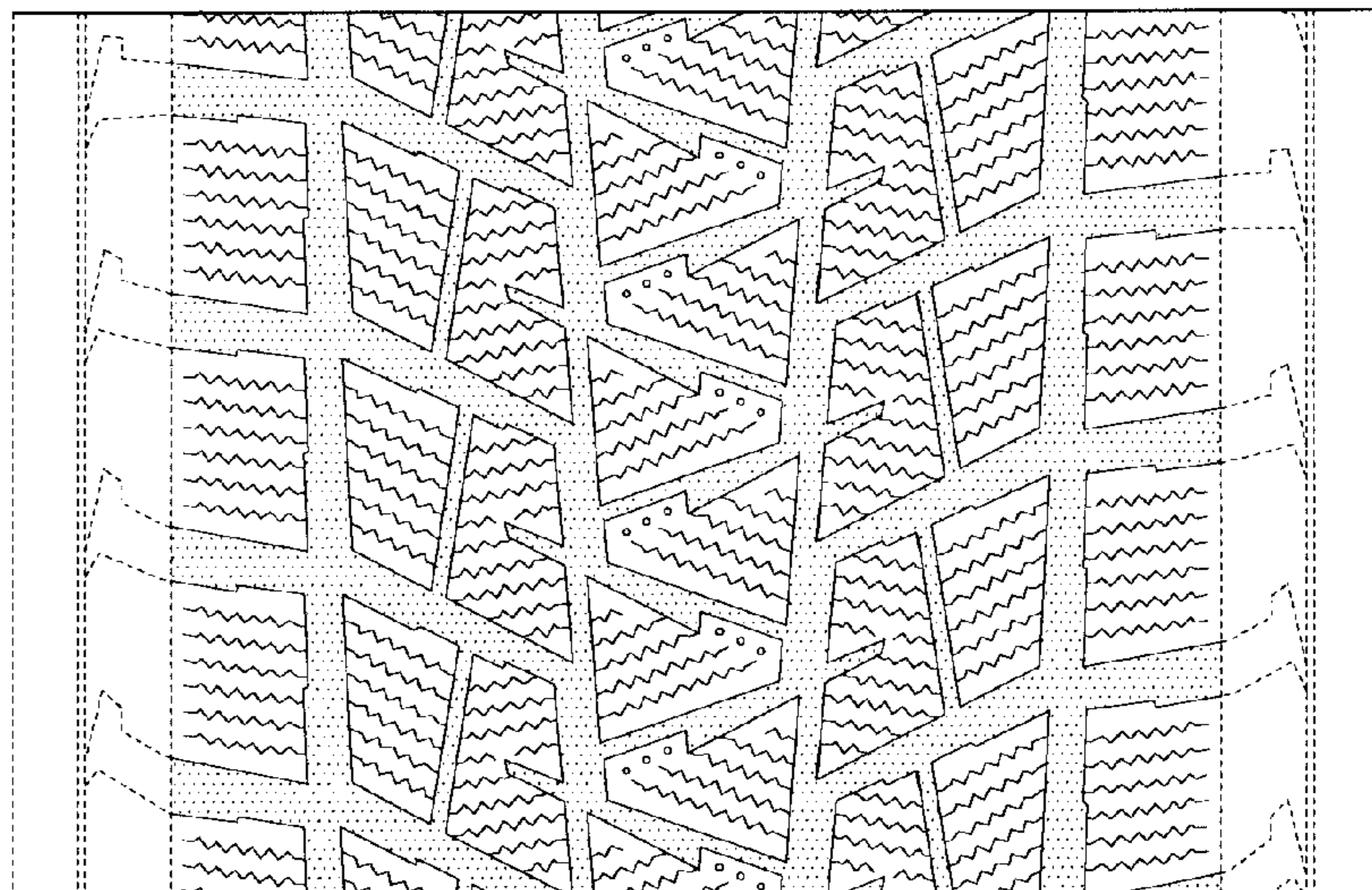
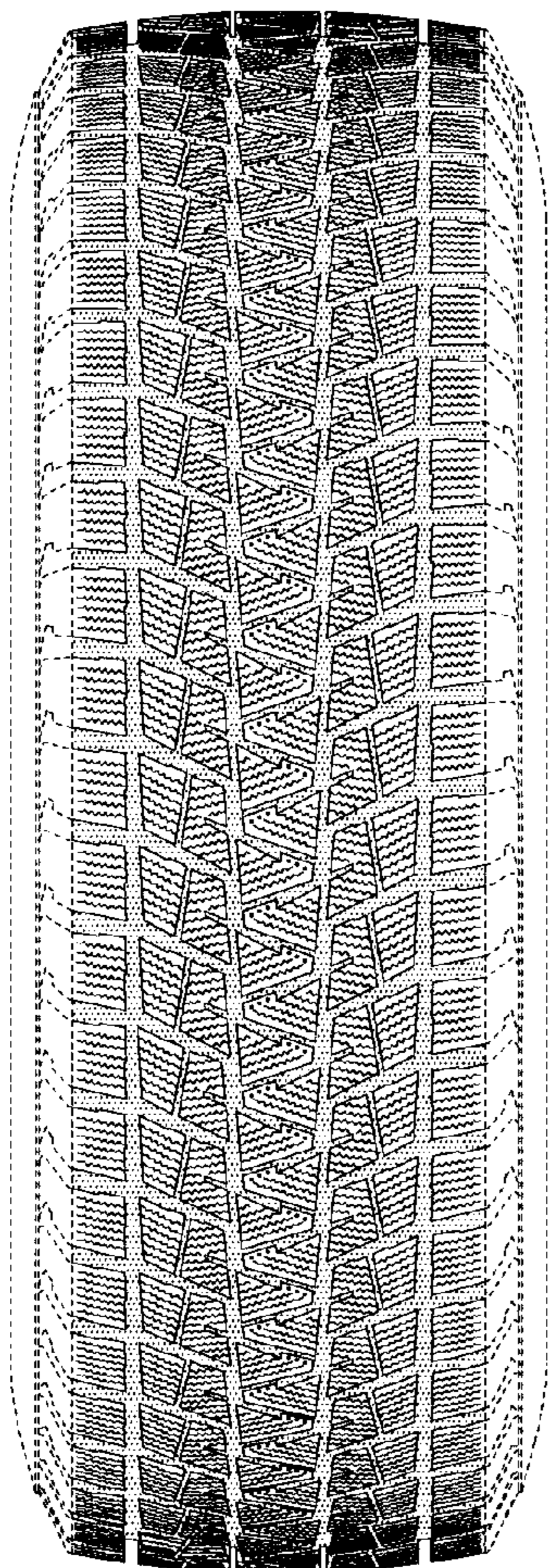


FIG. 1

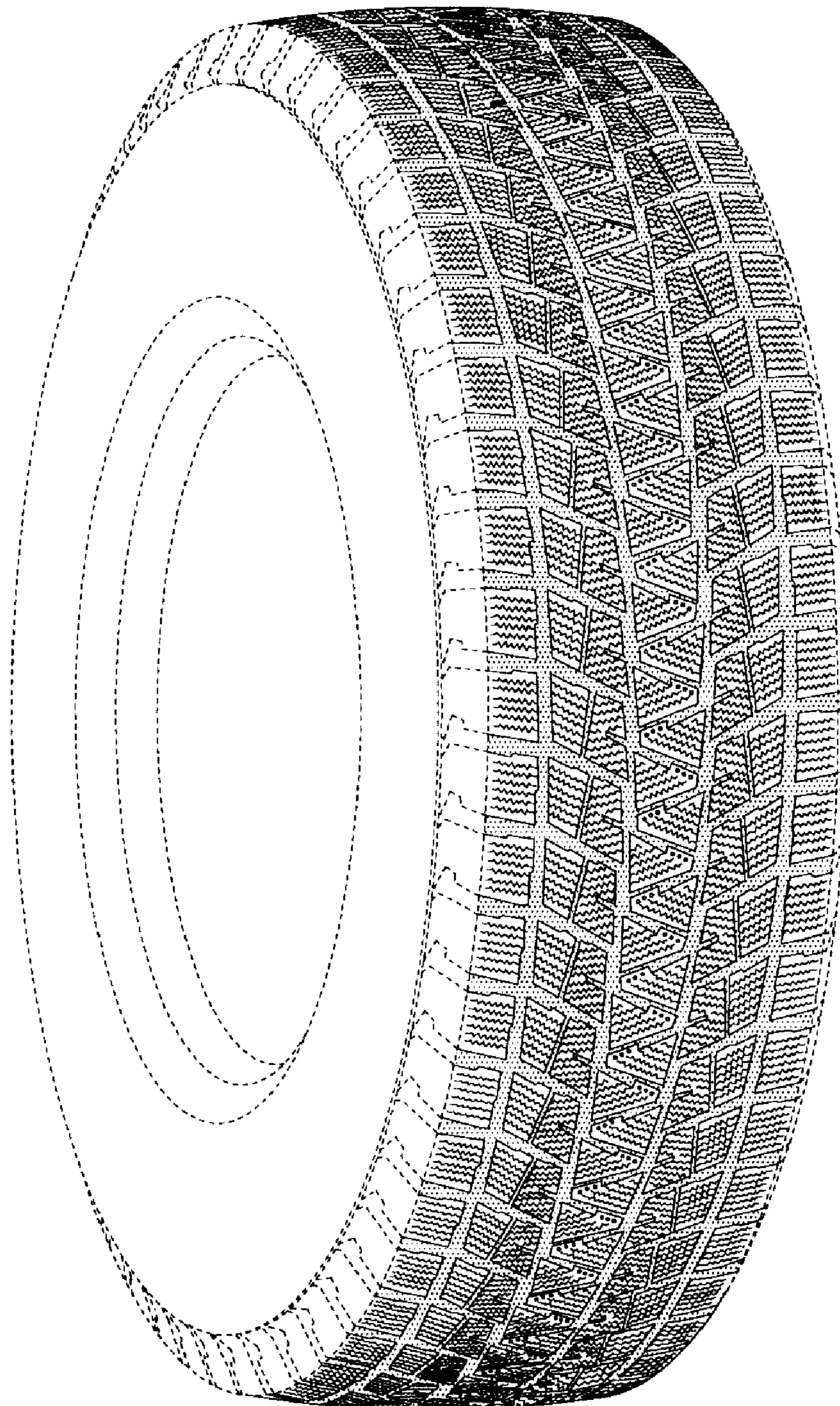


FIG. 2

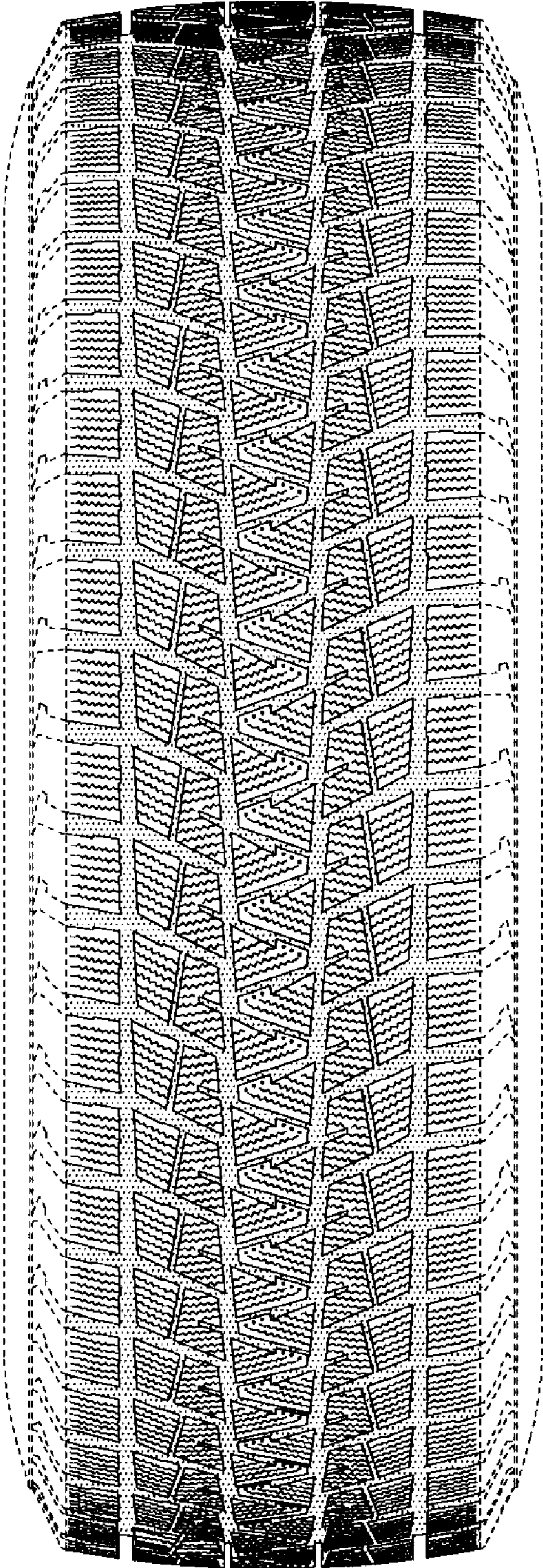


FIG. 3

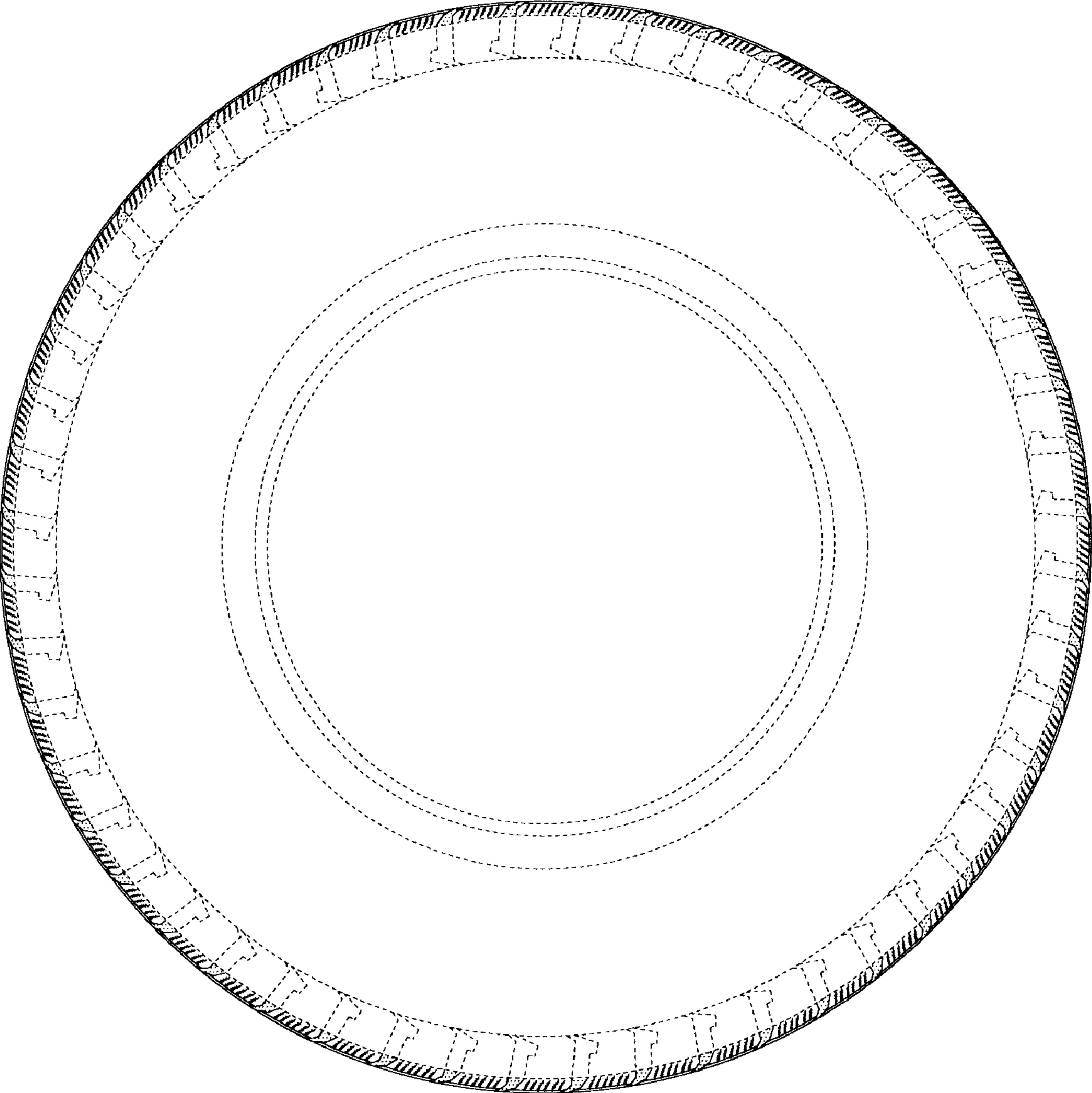


FIG. 4

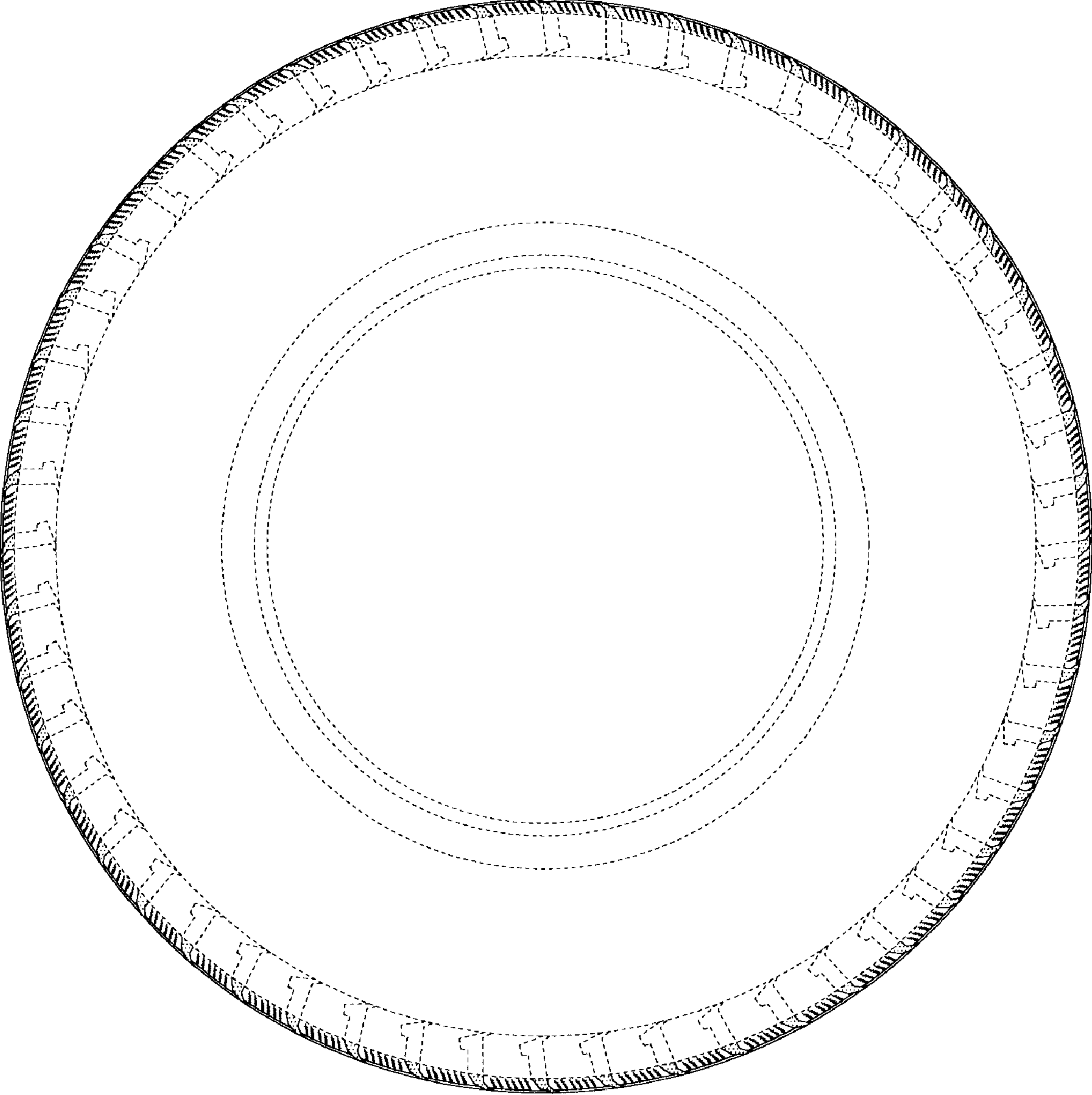


FIG. 5

