



US00D603781S

(12) **United States Design Patent**
Jimenez

(10) **Patent No.:** **US D603,781 S**
(45) **Date of Patent:** **** Nov. 10, 2009**

- (54) **MOUNTING CLIP**
- (75) Inventor: **Jorge Jimenez**, Downers Grove, IL (US)
- (73) Assignee: **Control Solutions LLC**, Aurora, IL (US)
- (**) Term: **14 Years**
- (21) Appl. No.: **29/335,224**
- (22) Filed: **Apr. 10, 2009**

Related U.S. Application Data

- (63) Continuation of application No. 12/197,126, filed on Aug. 25, 2008, and a continuation of application No. 12/197,058, filed on Aug. 22, 2008.
- (51) **LOC (9) Cl.** **12-06**
- (52) **U.S. Cl.** **D12/223**; D6/580; D8/395
- (58) **Field of Classification Search** D6/380, D6/575, 577, 580, 581, 582, 583, 584, 585, D6/586; D8/349, 354, 363, 376, 377, 382, D8/394, 395; 160/19, 166.1, 170, 177, 178.1 R, 160/178.1, 236, 38, 39, 310, 405, 238, 239, 160/240, 250, 902; 248/251, 261, 262, 264; D25/119

See application file for complete search history.

(56) **References Cited**

U.S. PATENT DOCUMENTS

1,313,191 A	8/1919	Karitzky
1,808,328 A	6/1931	Thomson
3,154,275 A	10/1964	Stewart
3,454,249 A	7/1969	Geisinger
3,581,349 A	6/1971	Verspieren
3,632,070 A	1/1972	Thayer
3,913,876 A	10/1975	McSherry
3,971,105 A	7/1976	Caveney
D250,876 S	1/1979	Lindblom
4,397,435 A	8/1983	Fisher et al.
4,766,651 A	8/1988	Kobayashi et al.
4,805,856 A	2/1989	Nicoli et al.
D305,977 S	2/1990	Ono
5,330,140 A	7/1994	Cseri
5,332,179 A	7/1994	Kuffel et al.
5,362,018 A	11/1994	Darr et al.
5,725,185 A	3/1998	Auclair

6,079,674 A	6/2000	Snyder	
6,129,317 A	10/2000	Rodrigues et al.	
6,149,109 A	11/2000	Stankowski	
D440,444 S *	4/2001	Sonnenberg et al.	D6/580
D443,168 S *	6/2001	Horsten	D6/580
D443,457 S *	6/2001	Horsten	D6/580
D443,788 S *	6/2001	Horsten	D6/580
D482,223 S *	11/2003	Bibby et al.	D6/580
D488,945 S *	4/2004	Bibby et al.	D6/580
D494,401 S *	8/2004	Davies et al.	D6/580
7,083,152 B2	8/2006	Carullo et al.	
7,150,437 B1	12/2006	Teeters	
7,221,832 B2	5/2007	Tinucci	
7,306,755 B2	12/2007	Morello	
D576,869 S *	9/2008	Yabe et al.	D8/395
D578,381 S *	10/2008	Wolff	D8/395
7,440,669 B2	10/2008	Tinucci	
D587,054 S *	2/2009	Patterson et al.	D6/580
D589,337 S *	3/2009	Karlsson	D8/394
2008/0098571 A1	5/2008	Morris	

* cited by examiner

Primary Examiner—Philip S Hyder
Assistant Examiner—Barbara B Lohr
(74) *Attorney, Agent, or Firm*—Wildman, Harrold, Allen & Dixon, LLP

(57) **CLAIM**

The ornamental design for a mounting clip, as shown and described.

DESCRIPTION

FIG. 1 is a perspective front view of a mounting clip;
FIG. 2 is a perspective back view thereof;
FIG. 3 is a top view thereof;
FIG. 4 is an elevated front view thereof;
FIG. 5 is an elevated side view thereof;
FIG. 6 is an elevated back view thereof; and,
FIG. 7 is a bottom view thereof.

A left side elevational view is provided of which the right side elevational view is identical.

1 Claim, 7 Drawing Sheets

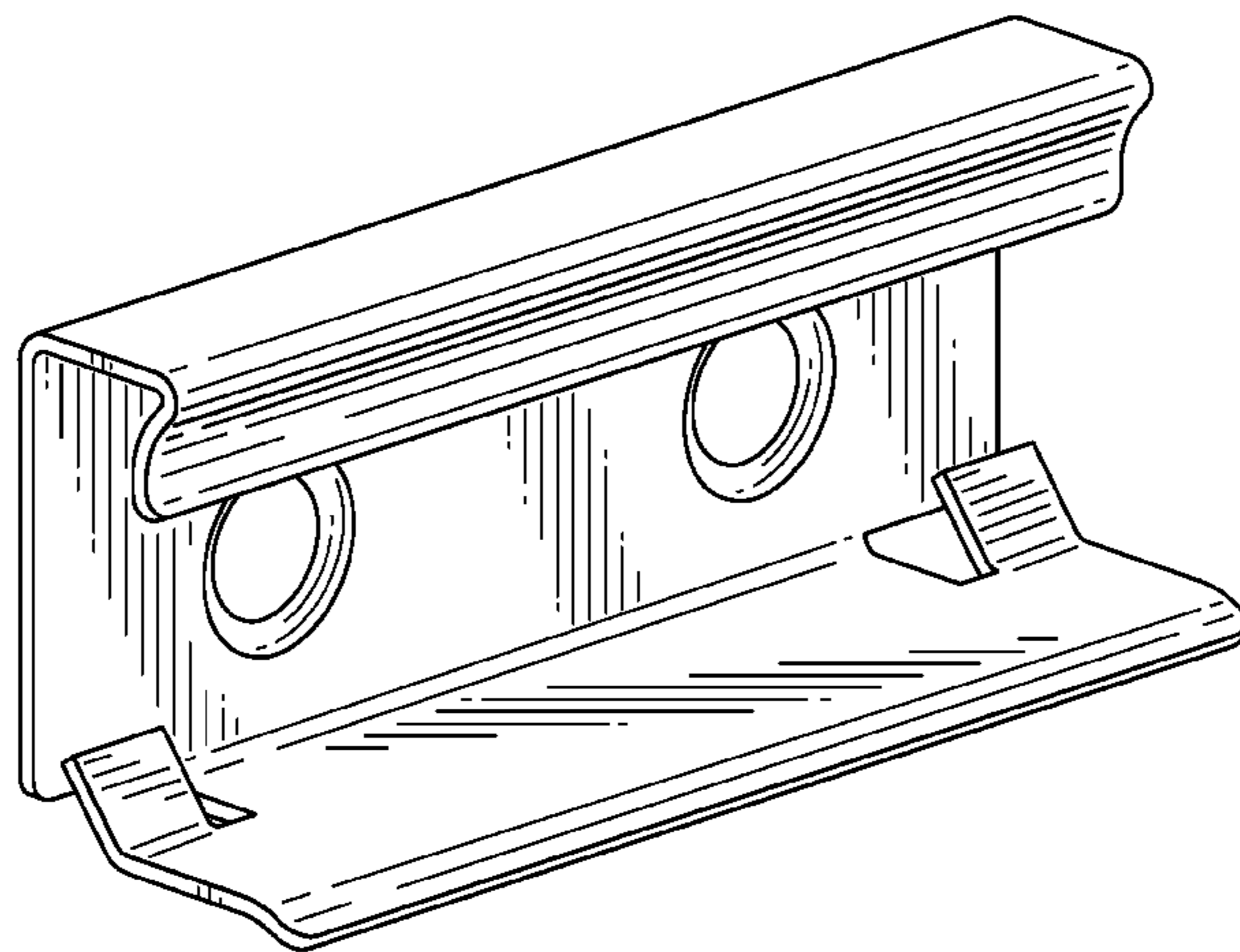


Fig. 1

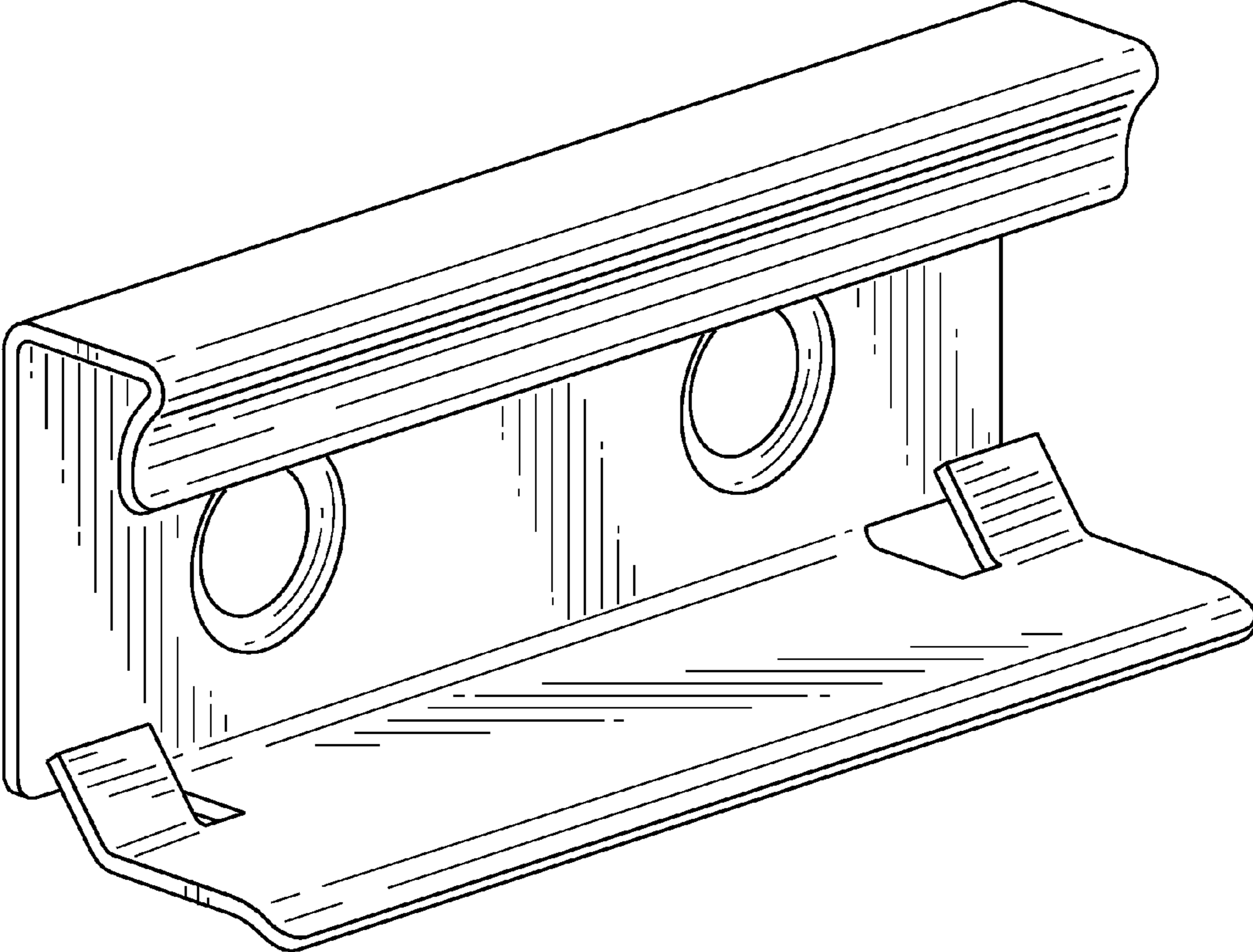


Fig. 2

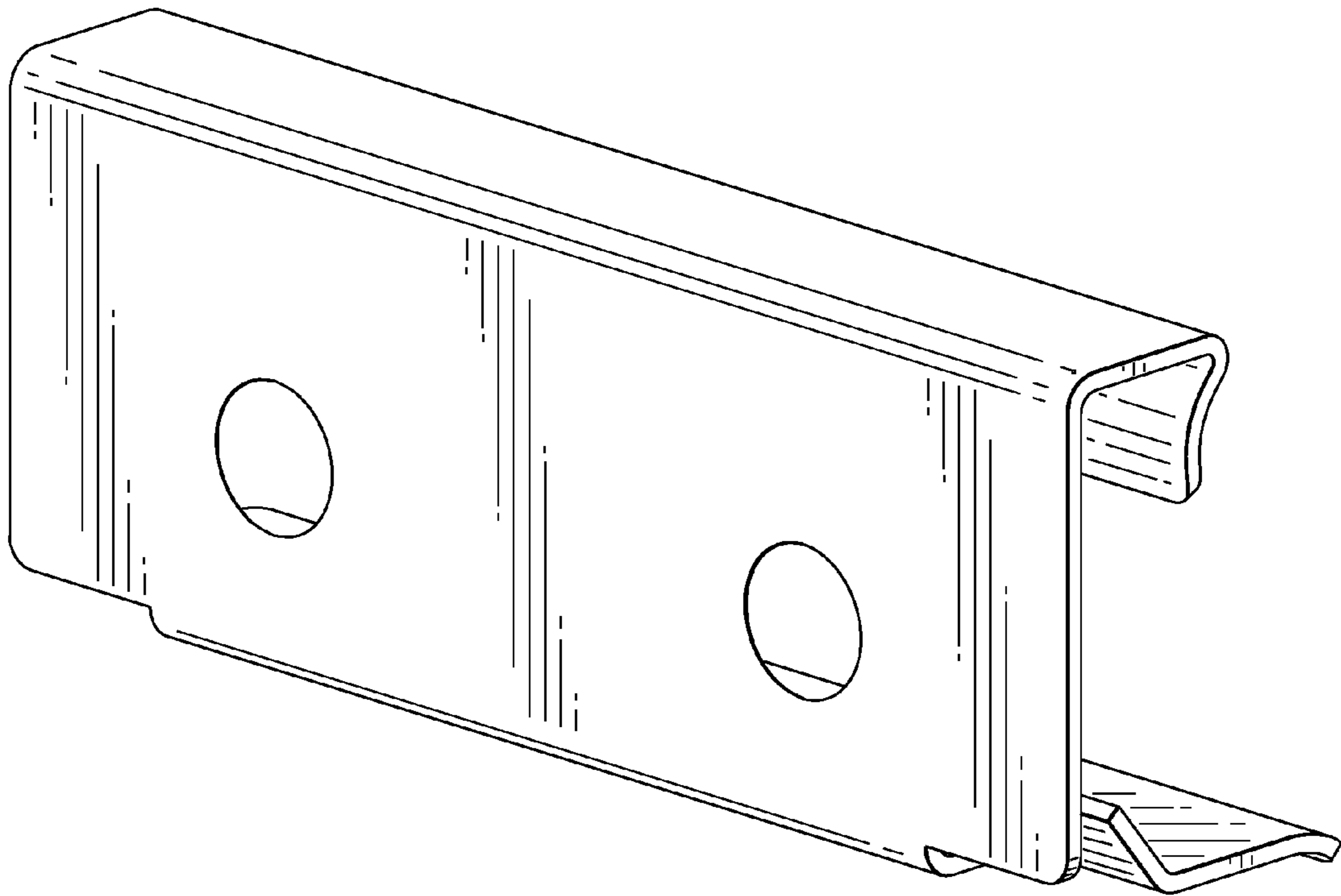


Fig. 3

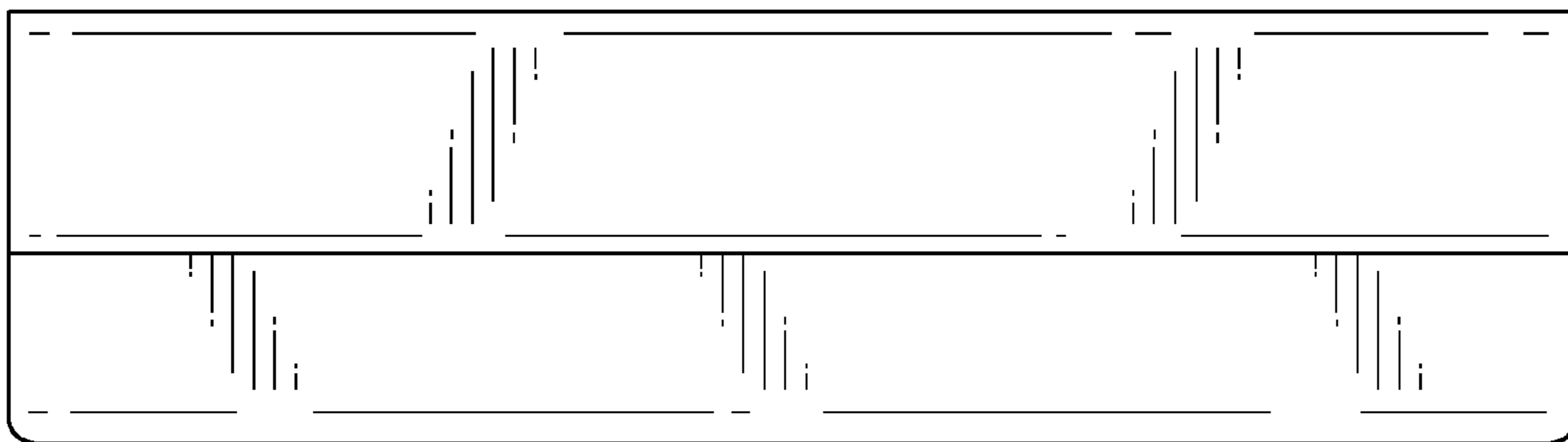


Fig. 4

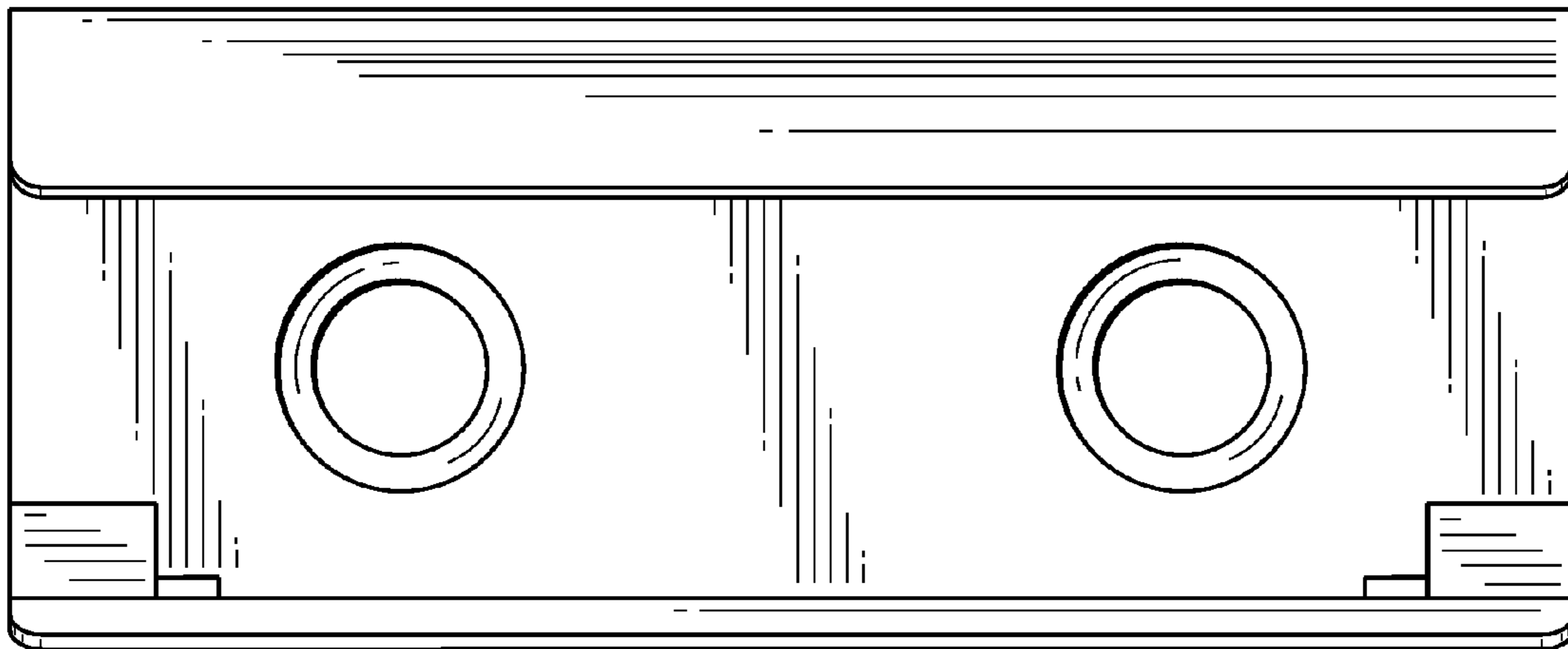


Fig. 5

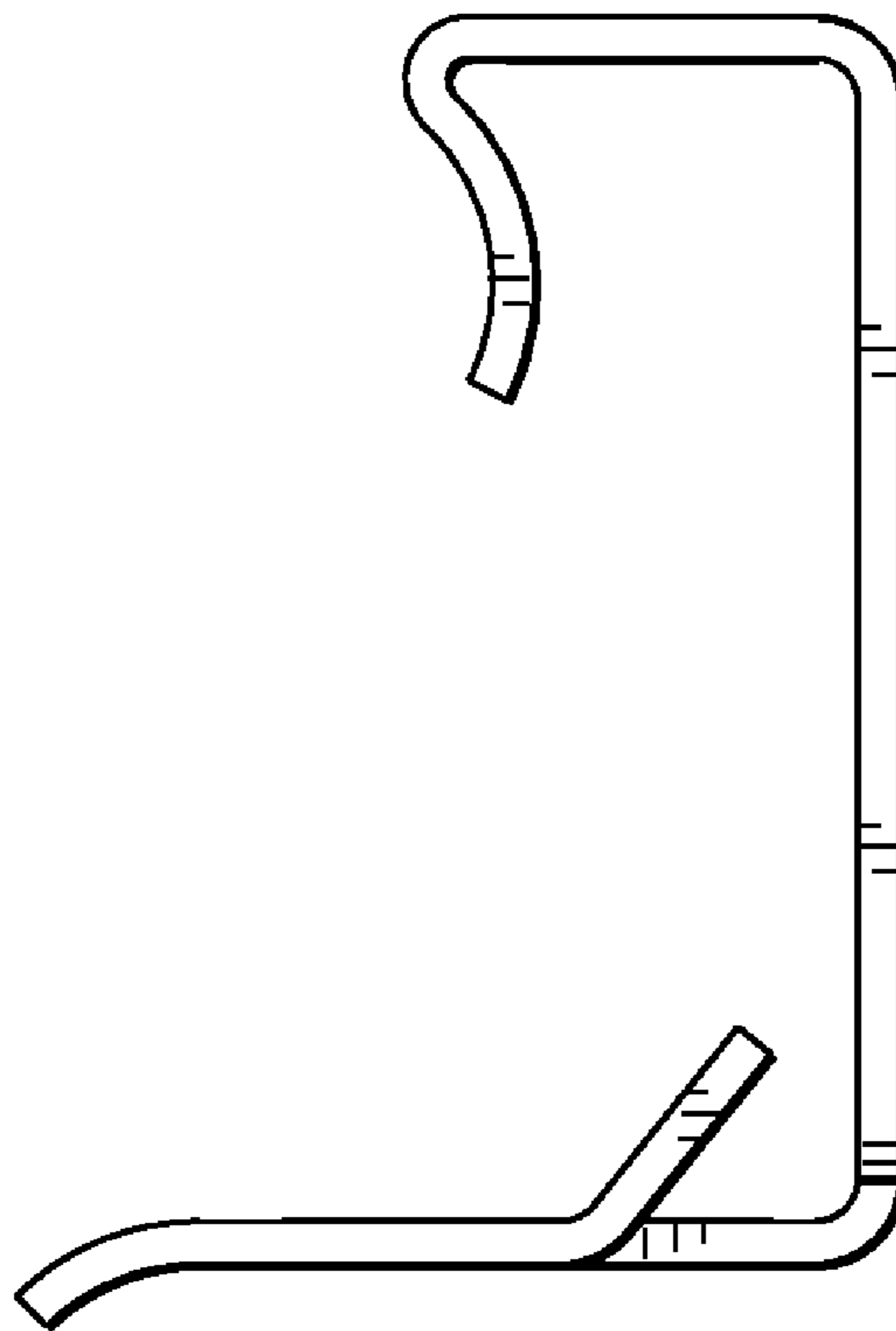


Fig. 6

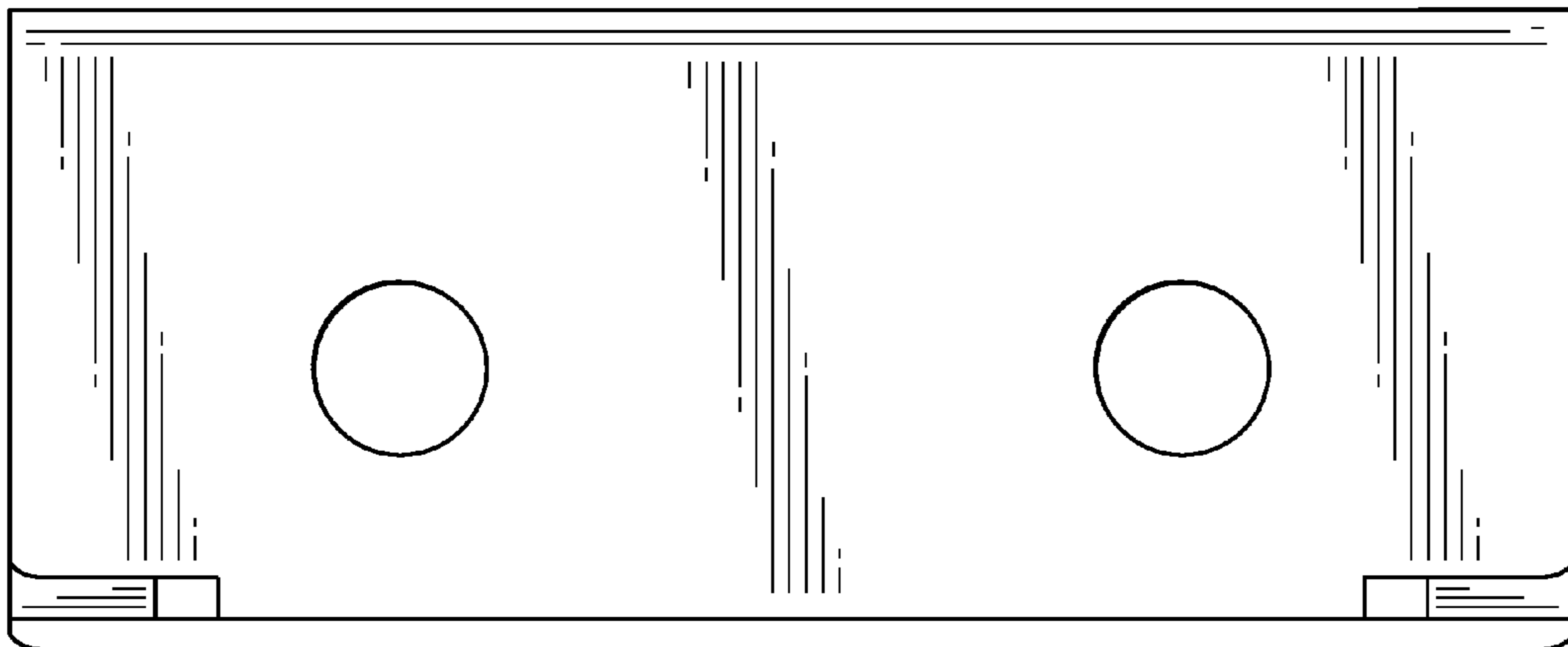


Fig. 7

