



US00D603778S

(12) **United States Design Patent**
Chung

(10) **Patent No.:** **US D603,778 S**

(45) **Date of Patent:** **** Nov. 10, 2009**

(54) **AUTOMOTIVE WHEEL**

(76) **Inventor:** **Suny Chung**, 3283 Red Pine Rd., Yorba Linda, CA (US) 92886

(**) **Term:** **14 Years**

(21) **Appl. No.:** **29/307,078**

(22) **Filed:** **Mar. 31, 2008**

(51) **LOC (9) Cl.** **12-16**

(52) **U.S. Cl.** **D12/211**

(58) **Field of Classification Search** D12/204-213;
301/37.101, 64.101, 65, 64.201

See application file for complete search history.

(56) **References Cited**

U.S. PATENT DOCUMENTS

D416,848 S	*	11/1999	Bernoni	D12/209
D466,067 S	*	11/2002	Muzzarelli	D12/211
D480,038 S	*	9/2003	Oh	D12/211
D518,766 S	*	4/2006	Burns	D12/211
D527,700 S	*	9/2006	Guevara	D12/211

D528,961 S * 9/2006 Ward et al. D12/211

D532,740 S * 11/2006 Ettensberger D12/211

D538,215 S * 3/2007 Laengerer et al. D12/209

D553,067 S * 10/2007 Muzzarelli D12/211

D555,568 S * 11/2007 Hetrick D12/211

* cited by examiner

Primary Examiner—Stacia Cadmus

(57) **CLAIM**

The ornamental design for an automotive wheel, as shown and described.

DESCRIPTION

FIG. 1 is a perspective view of an automotive wheel, showing my new design; and,

FIG. 2 is a front view thereof.

The broken line showing of rear portion of the wheel rim is included for the purpose of illustrating environment and forms no part of the claimed design.

1 Claim, 2 Drawing Sheets

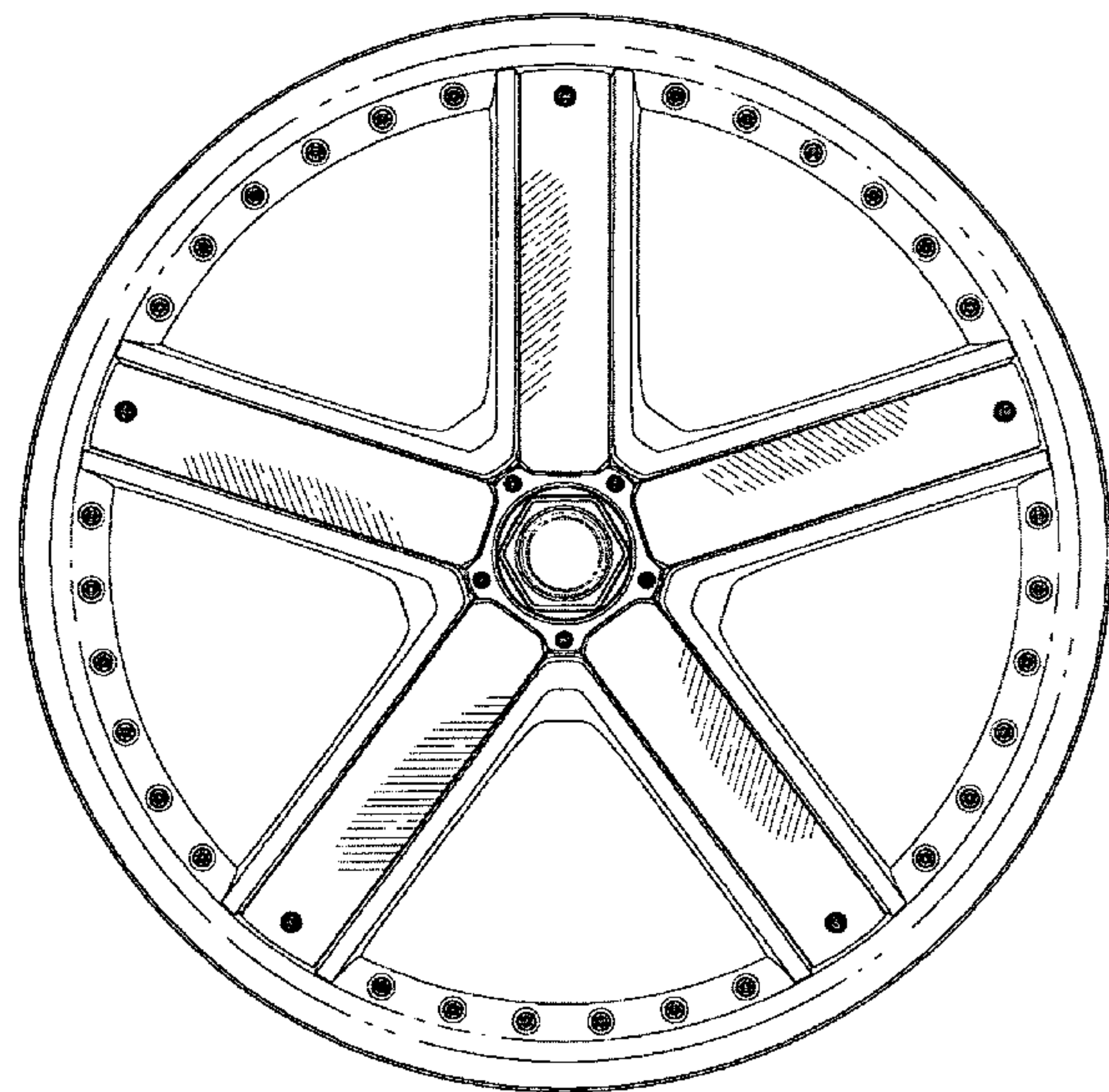
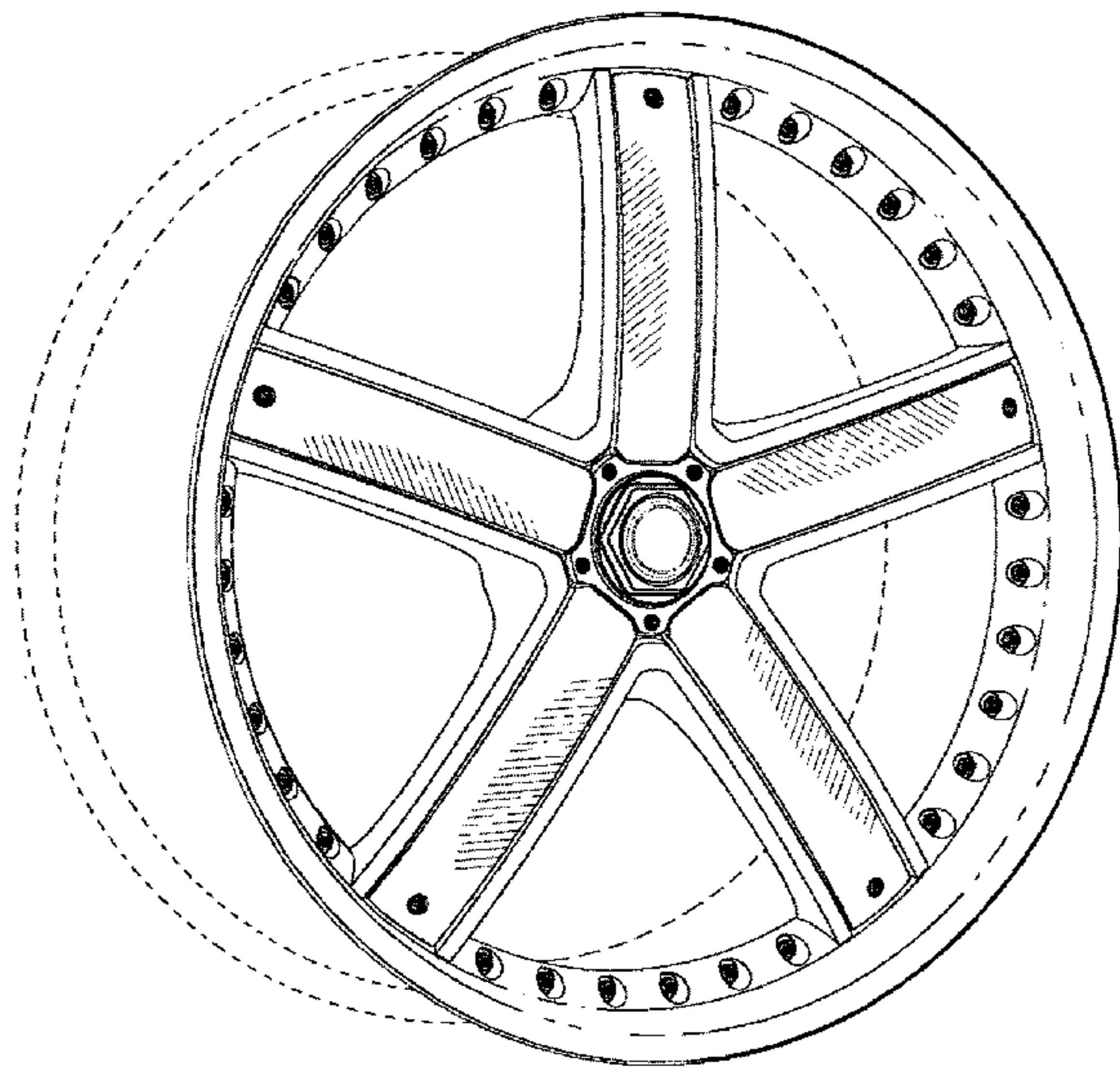


Figure 1

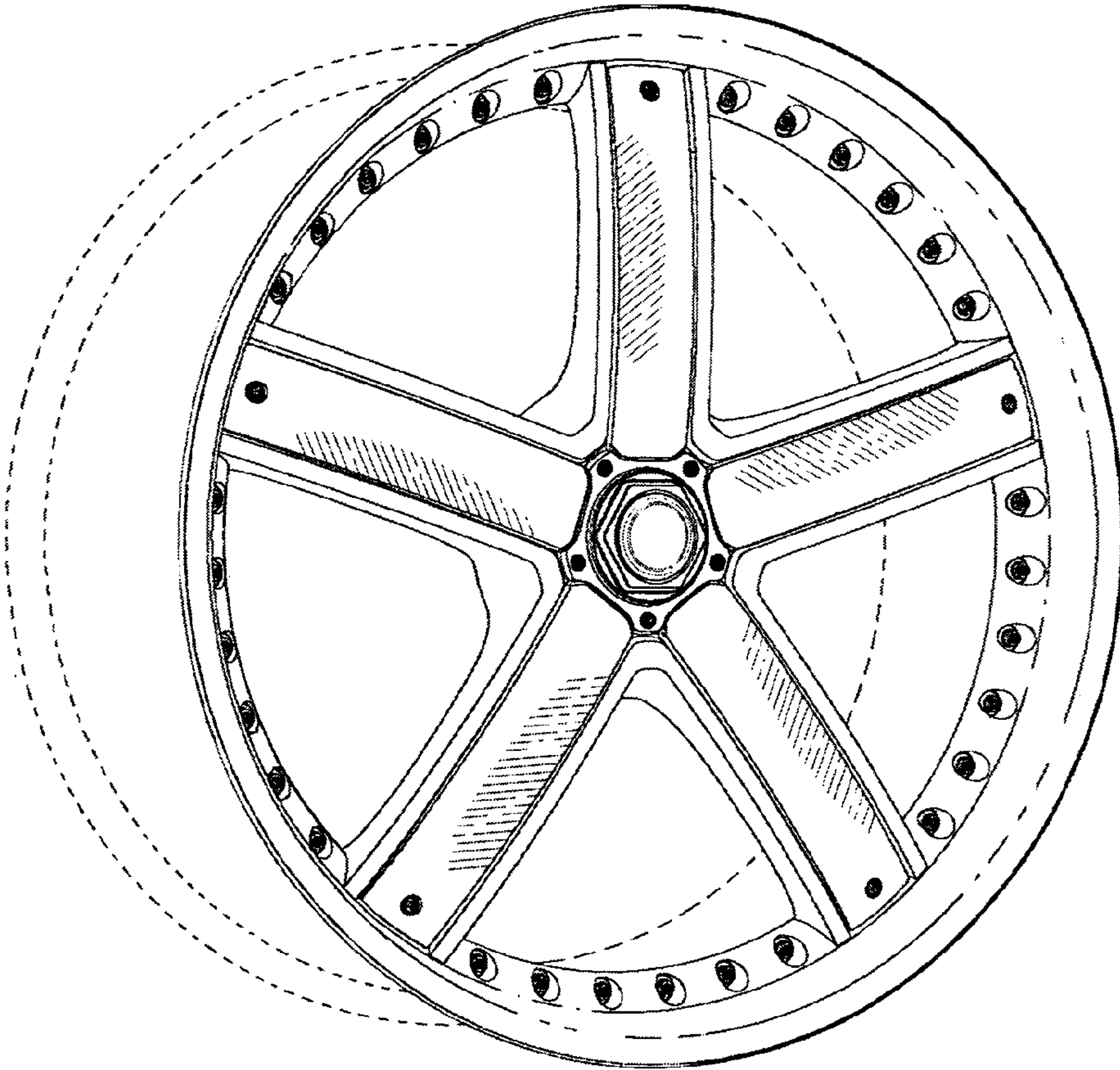


Figure 2

