



US00D603774S

(12) **United States Design Patent**
Chen

(10) **Patent No.:** **US D603,774 S**

(45) **Date of Patent:** **** Nov. 10, 2009**

(54) **VEHICLE SIDE VIEW MIRROR**

(76) Inventor: **Cheng-Chung Chen**, No. 55, 73rd
Alley, Da-Chiau 1st Street, Yung-Kang
City, Tainan County (TW)

(**) Term: **14 Years**

(21) Appl. No.: **29/311,668**

(22) Filed: **May 20, 2009**

(51) **LOC (9) Cl.** **12-16**

(52) **U.S. Cl.** **D12/187**

(58) **Field of Classification Search** D12/187,
D12/188-189, 96; D6/300, 309; 359/838,
359/841, 843, 844, 868, 871, 604, 881, 514,
359/866; 248/479-483, 475.1
See application file for complete search history.

(56) **References Cited**

U.S. PATENT DOCUMENTS

D577,639	S *	9/2008	Choi et al.	D12/187
D578,047	S *	10/2008	Kaoud et al.	D12/187
7,441,910	B1 *	10/2008	Peterson et al.	359/841
D589,859	S *	4/2009	Golden et al.	D12/187
2002/0141085	A1 *	10/2002	Whitehead et al.	359/841
2004/0218272	A1 *	11/2004	Boddy	359/512

2005/0286132	A1 *	12/2005	Tonar et al.	359/604
2008/0316627	A1 *	12/2008	Shinohara	359/871
2009/0086346	A1 *	4/2009	Henion	359/841

* cited by examiner

Primary Examiner—Caron Veynar

Assistant Examiner—Katrina A Kile

(74) *Attorney, Agent, or Firm*—Rosenberg, Klein & Lee

(57) **CLAIM**

The ornamental design for a vehicle side view mirror, as shown and described.

DESCRIPTION

FIG. 1 is a perspective view of a vehicle side view mirror showing my new design;

FIG. 2 is a front elevational view thereof;

FIG. 3 is a rear elevational view thereof;

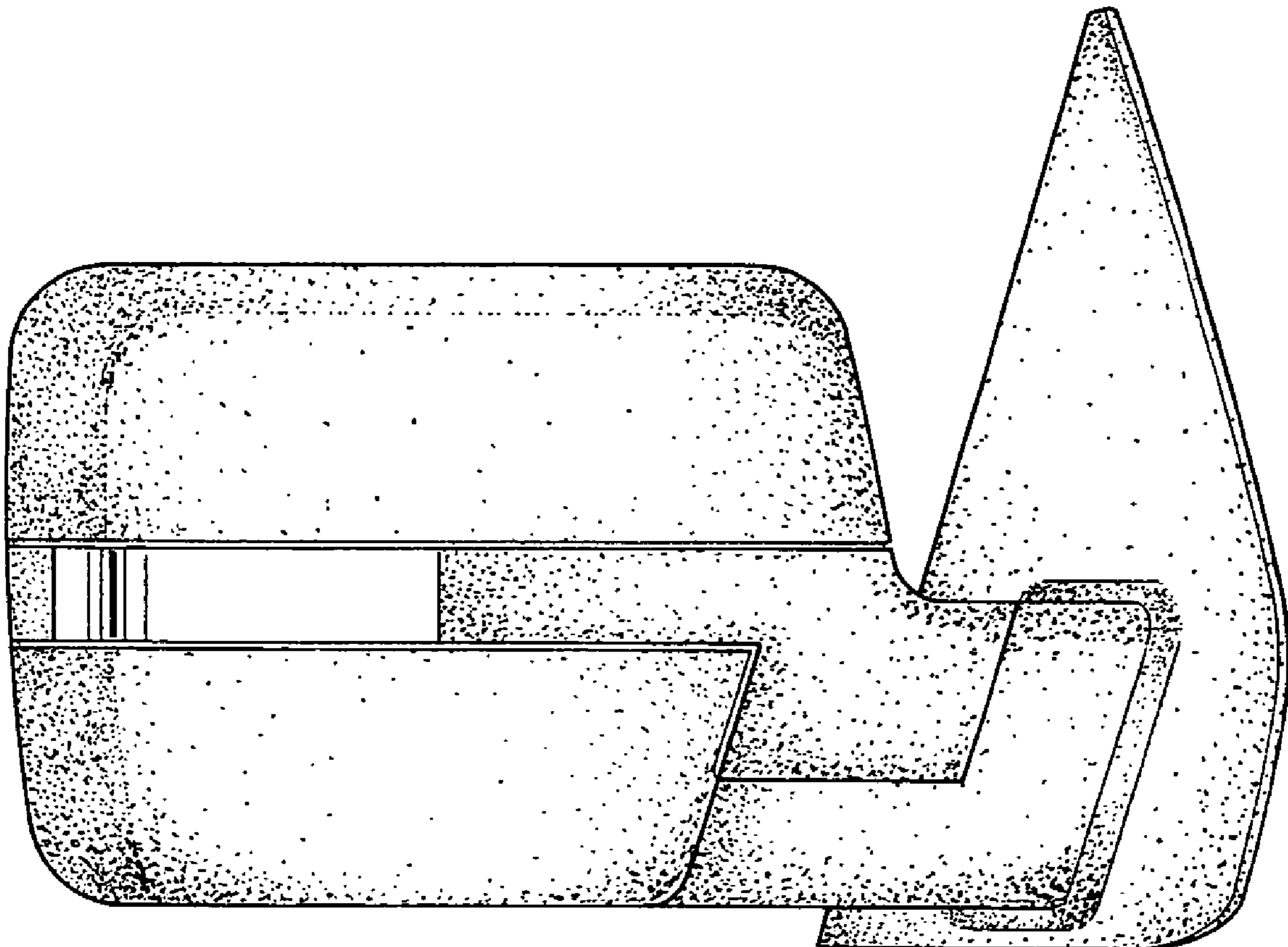
FIG. 4 is a left side elevational view thereof;

FIG. 5 is a right side elevational view thereof;

FIG. 6 is a top plan view thereof; and,

FIG. 7 is a bottom plan view thereof.

1 Claim, 7 Drawing Sheets



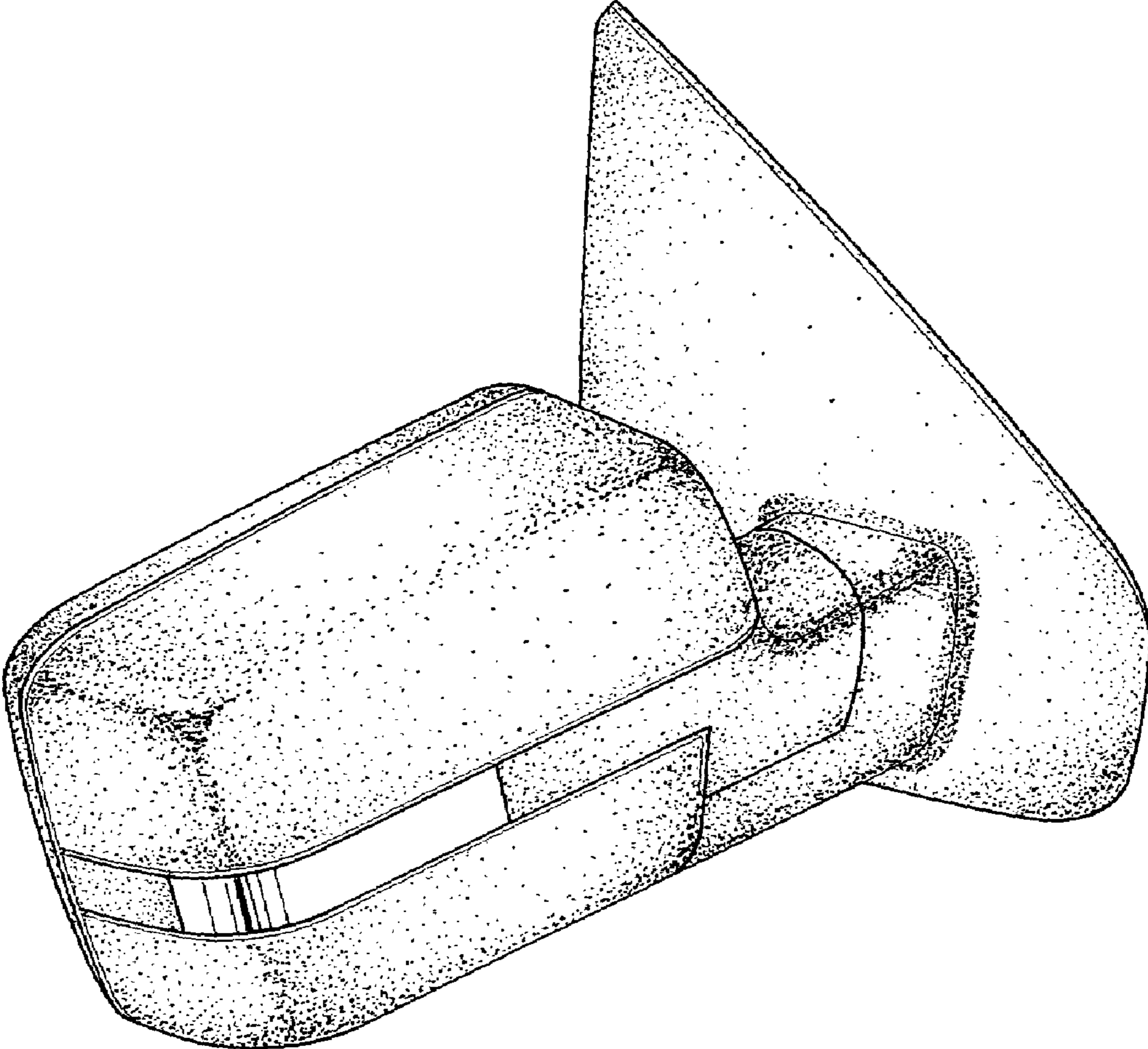


FIG. 1

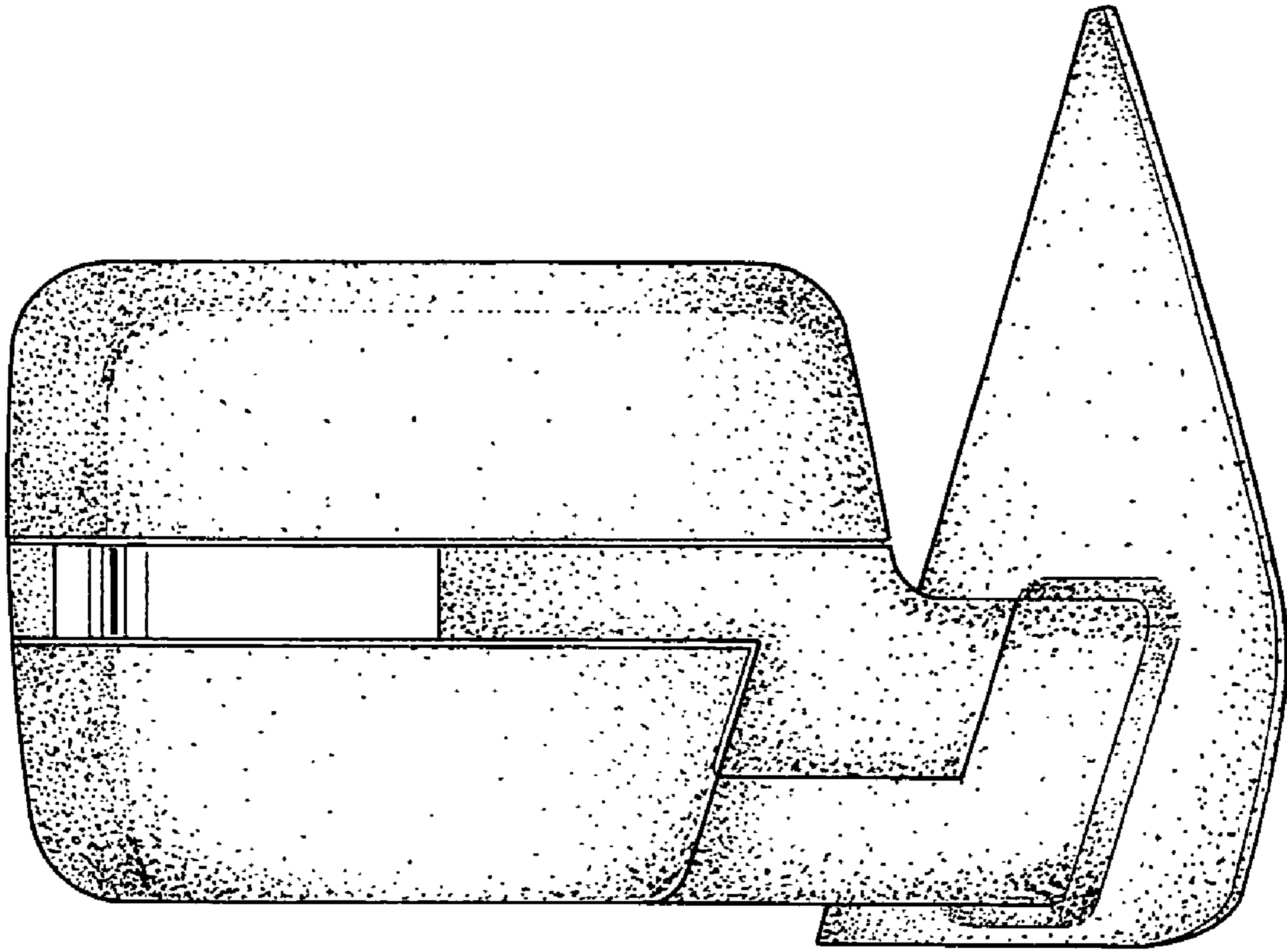


FIG. 2

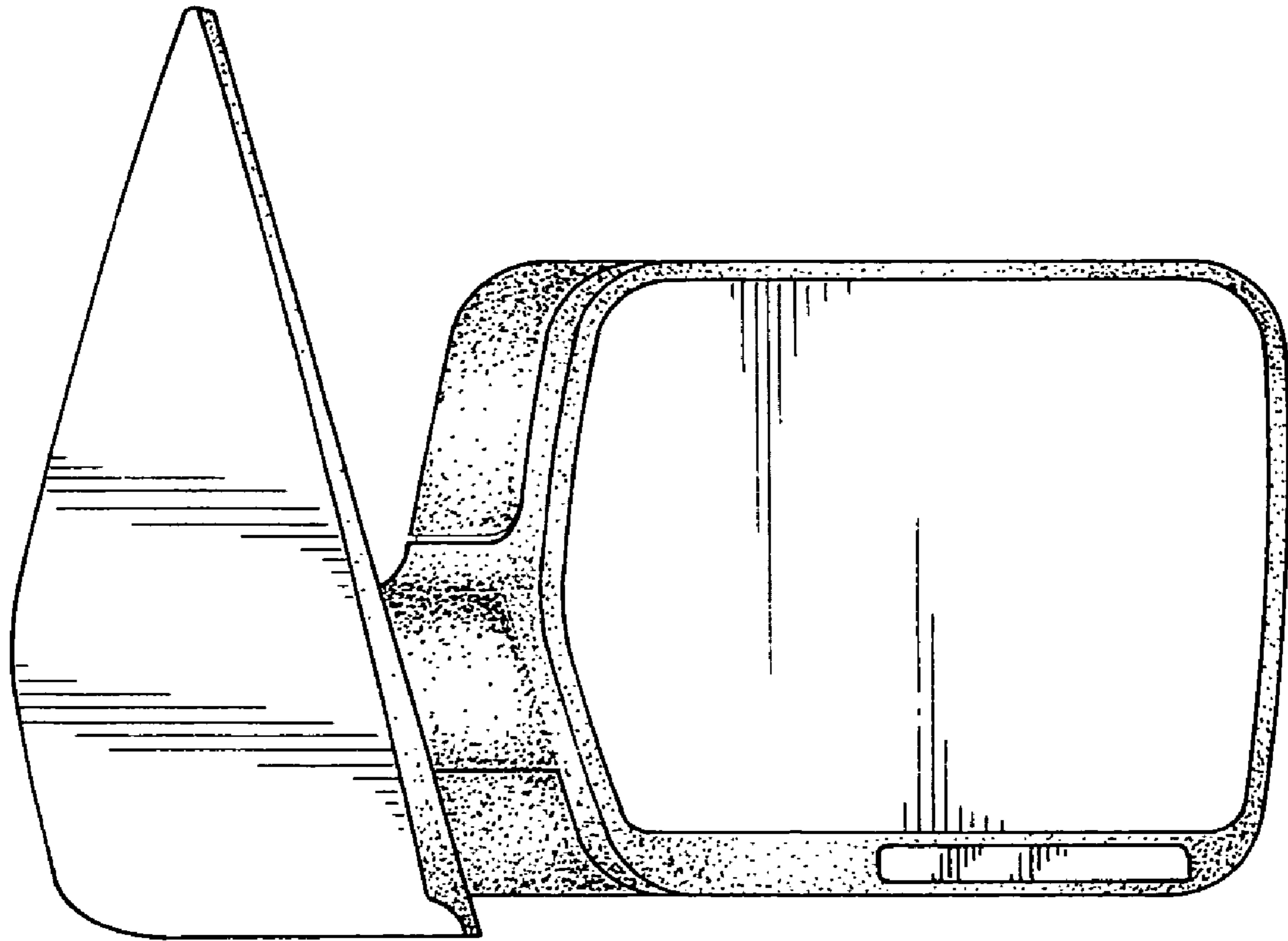


FIG. 3

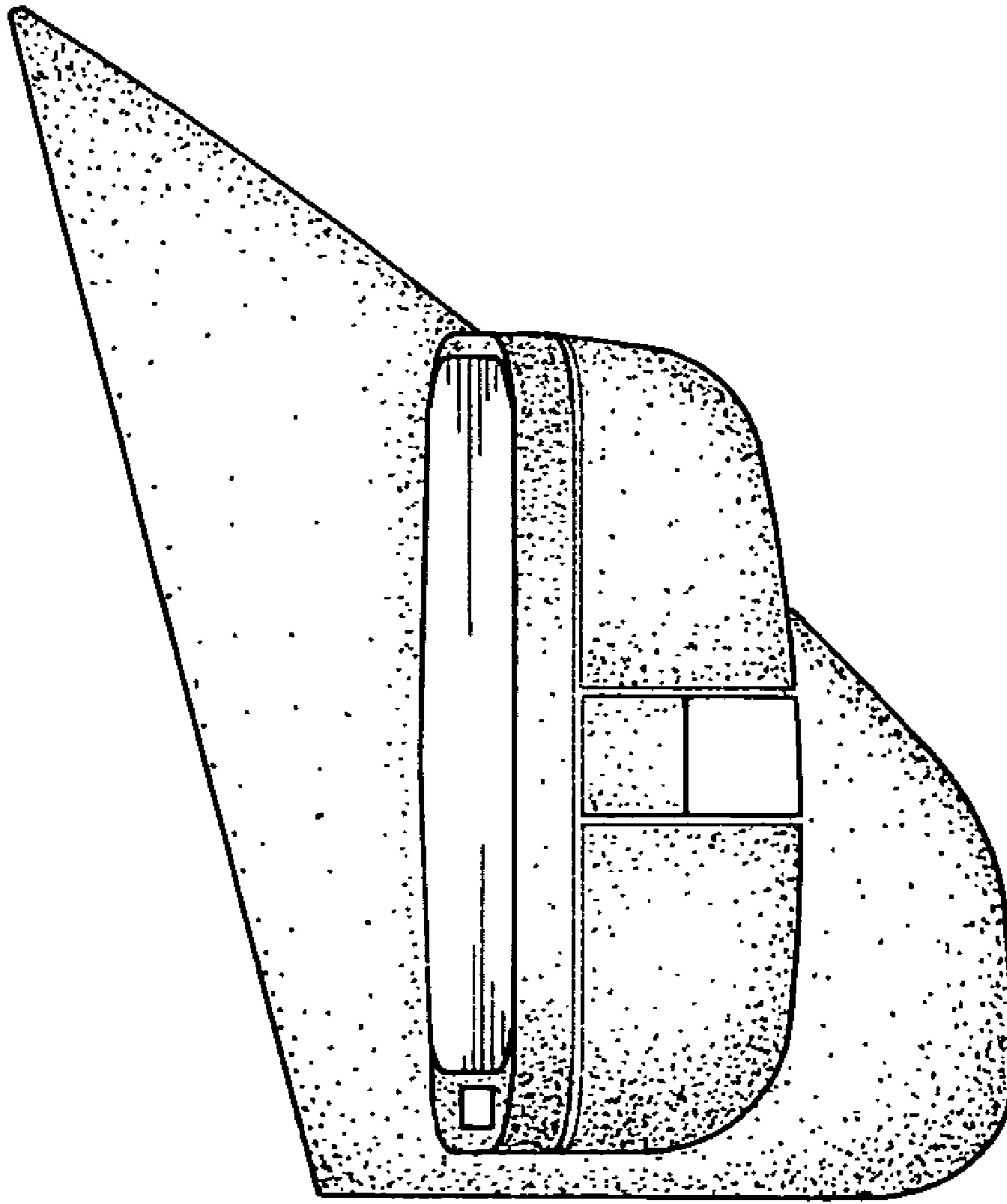


FIG. 4

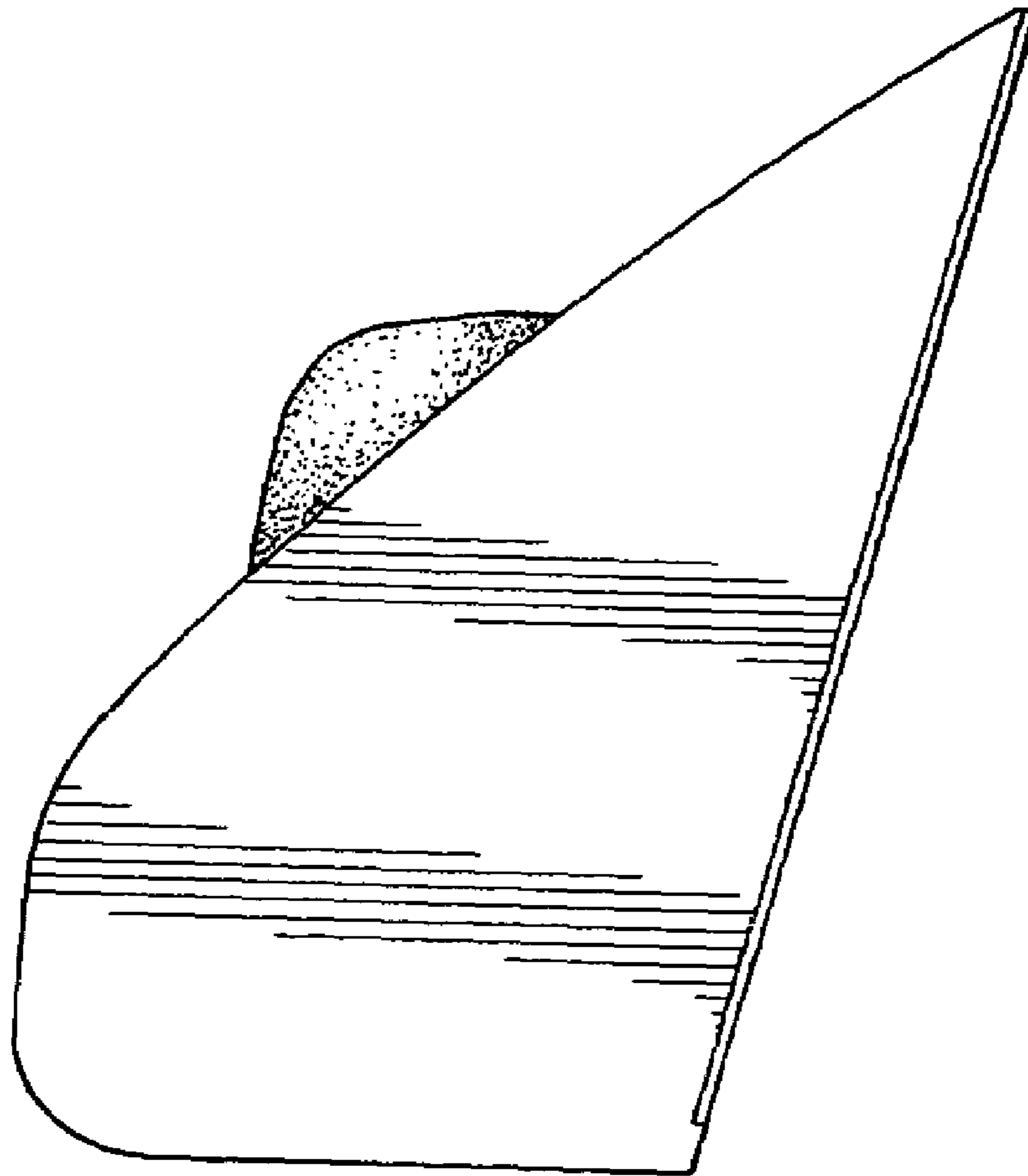


FIG. 5

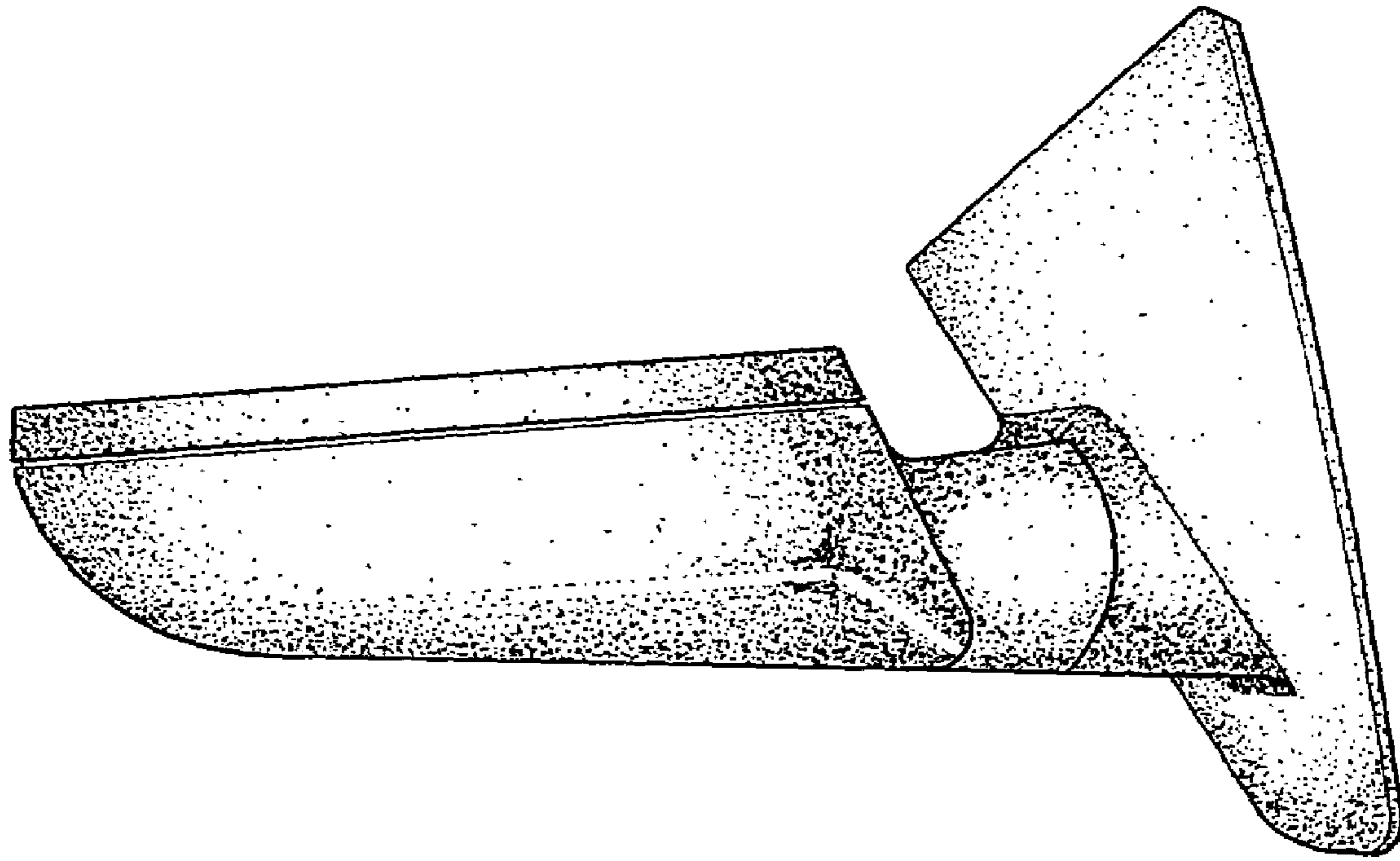


FIG. 6

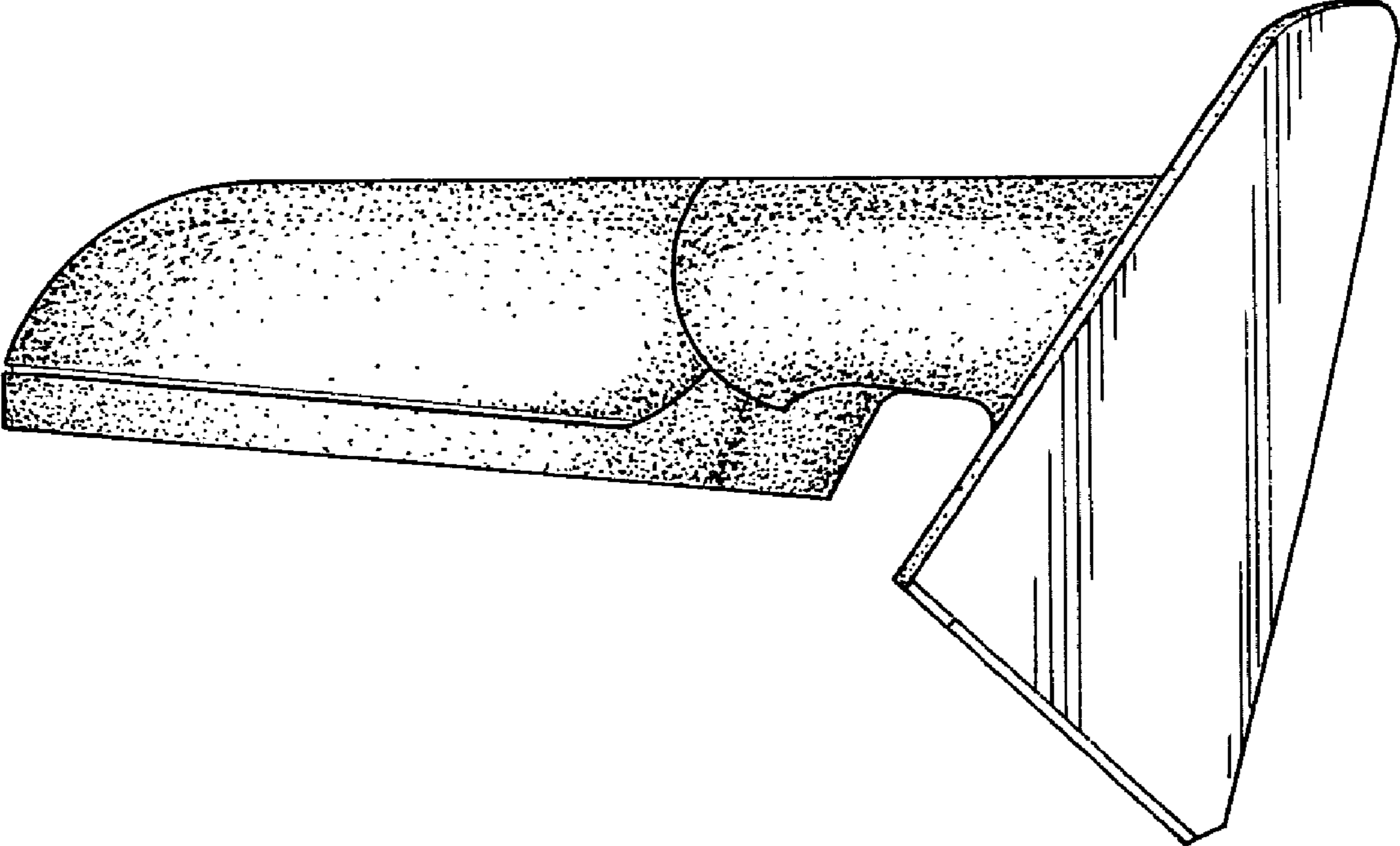


FIG. 7