



US00D603767S

(12) **United States Design Patent**  
**Crippa et al.**

(10) **Patent No.:** **US D603,767 S**

(45) **Date of Patent:** **\*\* Nov. 10, 2009**

(54) **CALIPER BODY FOR DISC BRAKES**

(75) Inventors: **Cristian Crippa**, Almenno San  
Bartolomeo (IT); **Lorenzo Nessi**,  
Bergamo (IT)

(73) Assignee: **Freni Brembo S.p.A.**, Curno (Bergamo)  
(IT)

(\*\*) Term: **14 Years**

(21) Appl. No.: **29/329,719**

(22) Filed: **Dec. 19, 2008**

**Related U.S. Application Data**

(62) Division of application No. 29/279,113, filed on Apr.  
19, 2007, now Pat. No. Des. 588,513.

(51) **LOC (9) Cl.** ..... **12-16**

(52) **U.S. Cl.** ..... **D12/180**

(58) **Field of Classification Search** ..... D12/180;  
188/71.1, 73.3, 73.31-73.39, 72.2, 72.4,  
188/73.41-73.46, 218 XL, 370, 1.11 W  
See application file for complete search history.

(56) **References Cited**

**U.S. PATENT DOCUMENTS**

D512,352 S \* 12/2005 Veneziano et al. .... D12/180

D522,420 S \* 6/2006 Crippa et al. .... D12/180  
D522,421 S \* 6/2006 Crippa et al. .... D12/180  
D523,794 S \* 6/2006 Strumbo et al. .... D12/180  
D527,321 S \* 8/2006 Gherardi et al. .... D12/180  
D555,555 S \* 11/2007 Ikuzawa et al. .... D12/180  
D556,103 S \* 11/2007 Morimoto ..... D12/180  
7,331,430 B2 \* 2/2008 Valvano et al. .... 188/71.5  
D588,513 S \* 3/2009 Crippa et al. .... D12/180

\* cited by examiner

*Primary Examiner*—Melody N Brown

(74) *Attorney, Agent, or Firm*—Shoemaker and Mattare

(57) **CLAIM**

The ornamental design for a caliper body for disc brakes, as  
shown and described.

**DESCRIPTION**

FIG. 1 is a perspective view of a caliper body for disc brakes,  
showing our new design from the left side, front and bottom;

FIG. 2 is a perspective view thereof, from the rear and bottom;

FIG. 3 is a rear elevational view thereof;

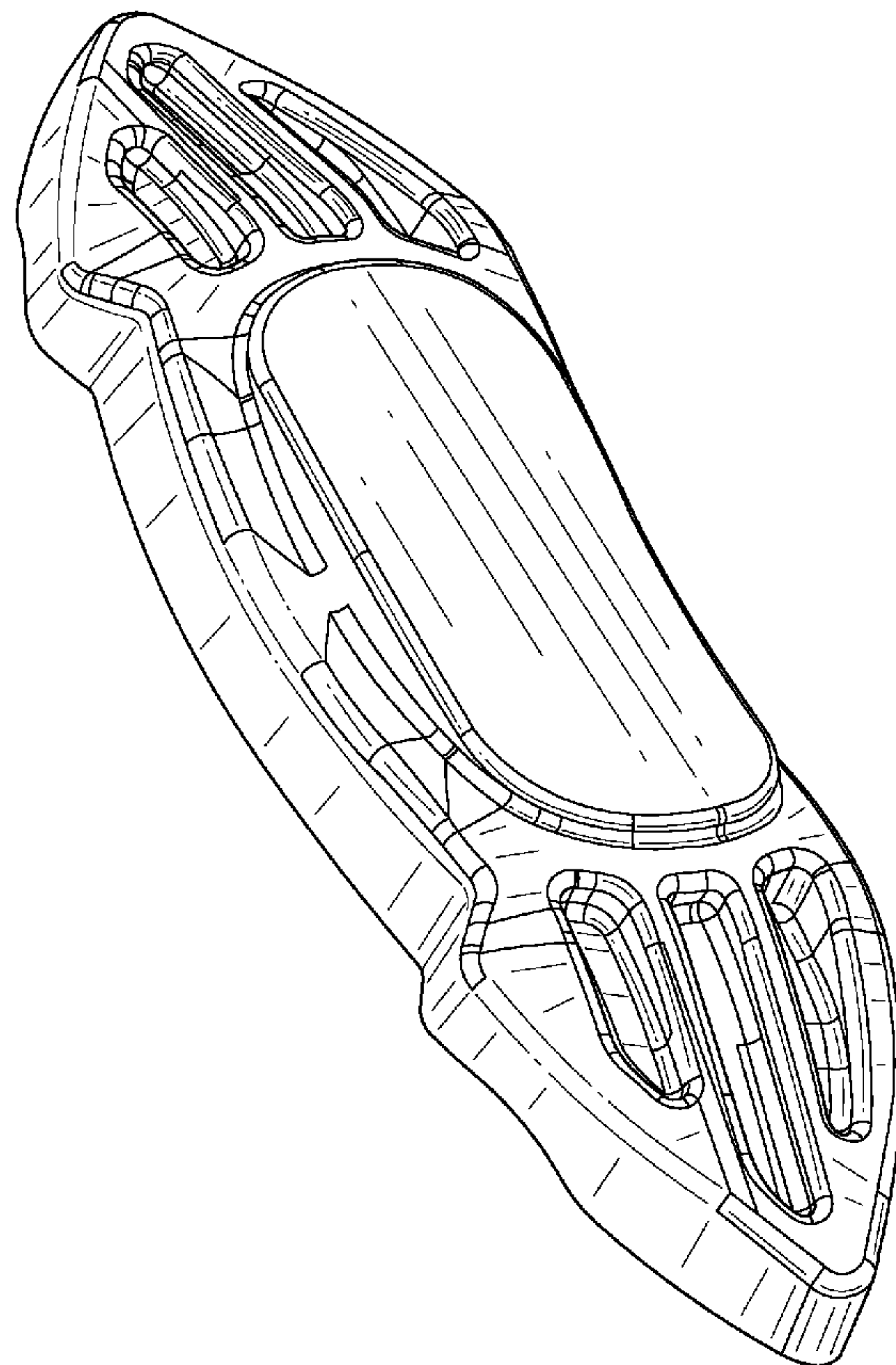
FIG. 4 is a bottom plan view thereof;

FIG. 5 is a top plan view thereof;

FIG. 6 is a right side elevational view thereof; and,

FIG. 7 is a left side elevational view thereof.

**1 Claim, 7 Drawing Sheets**



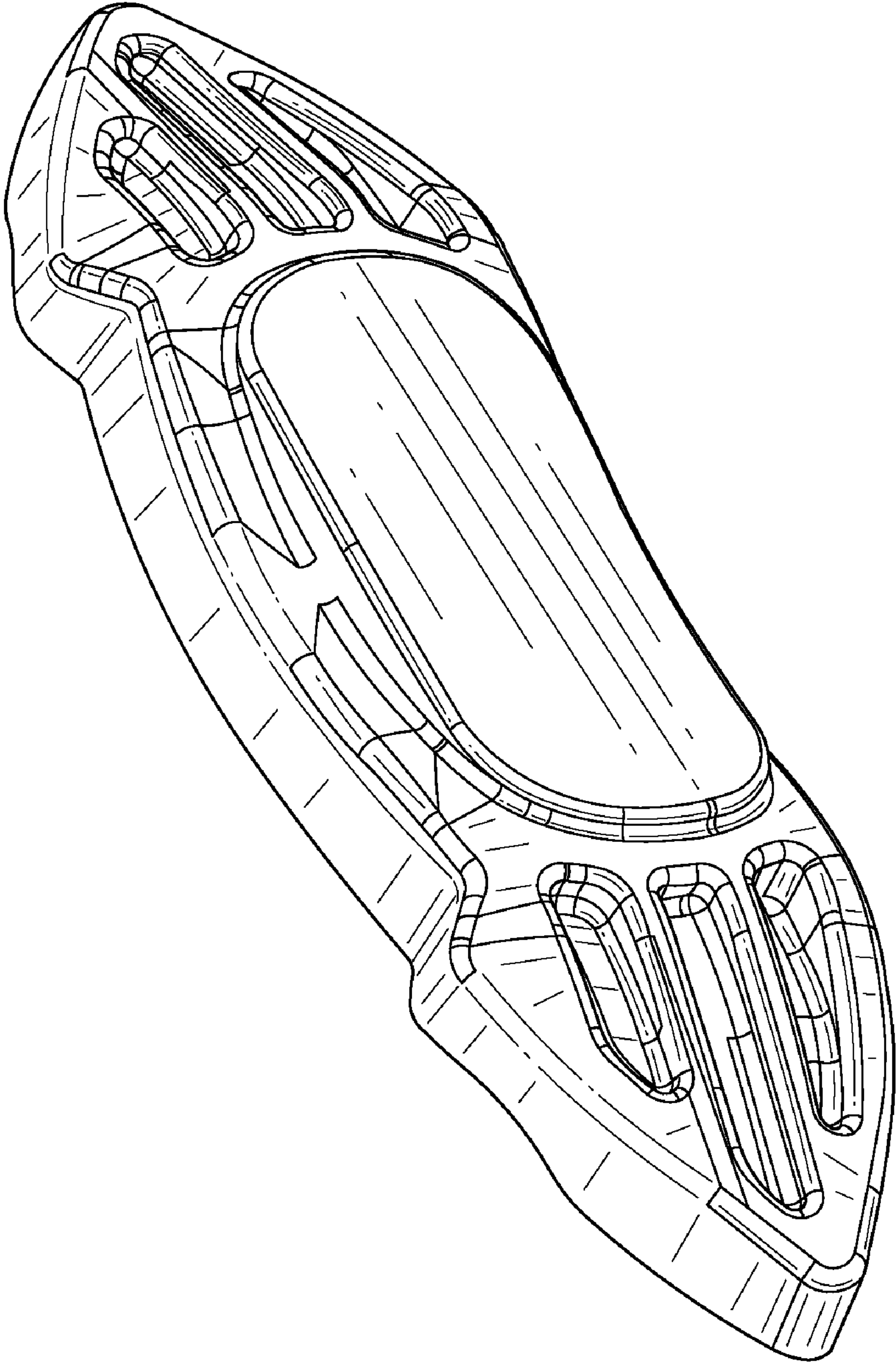


FIG. 1

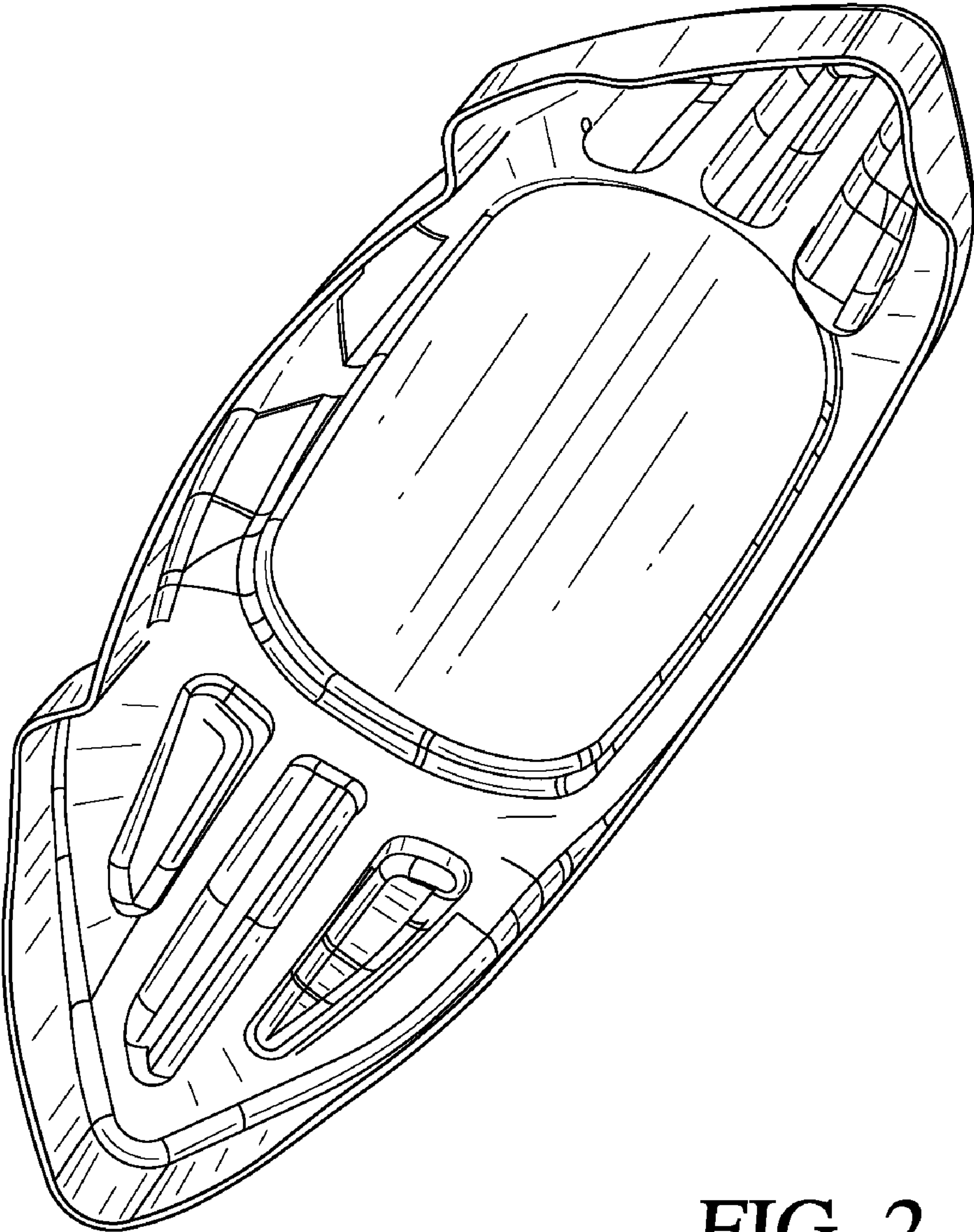


FIG. 2



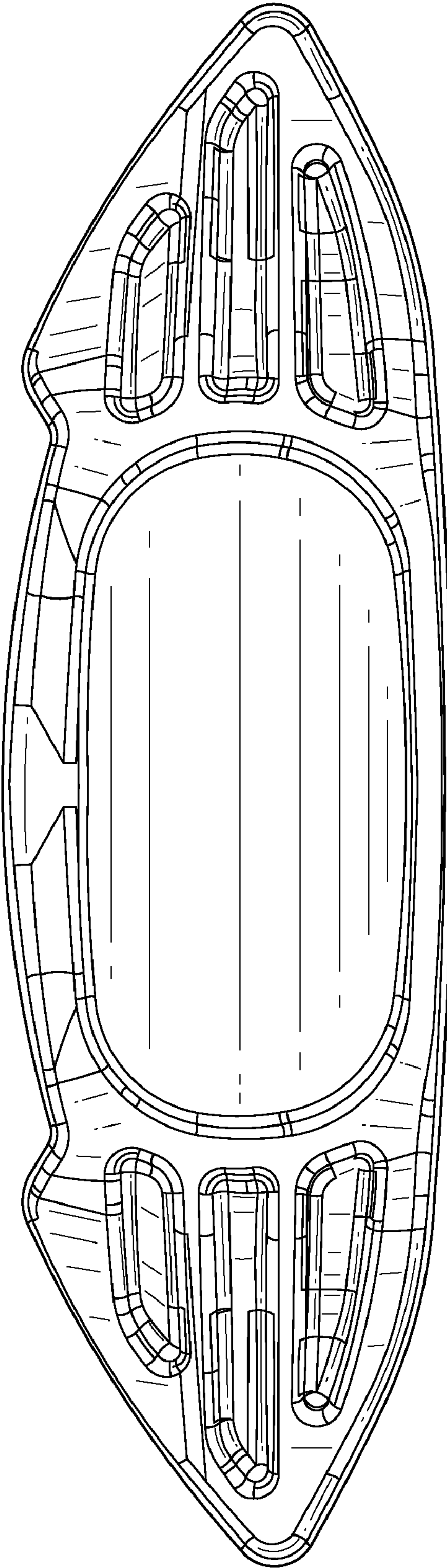
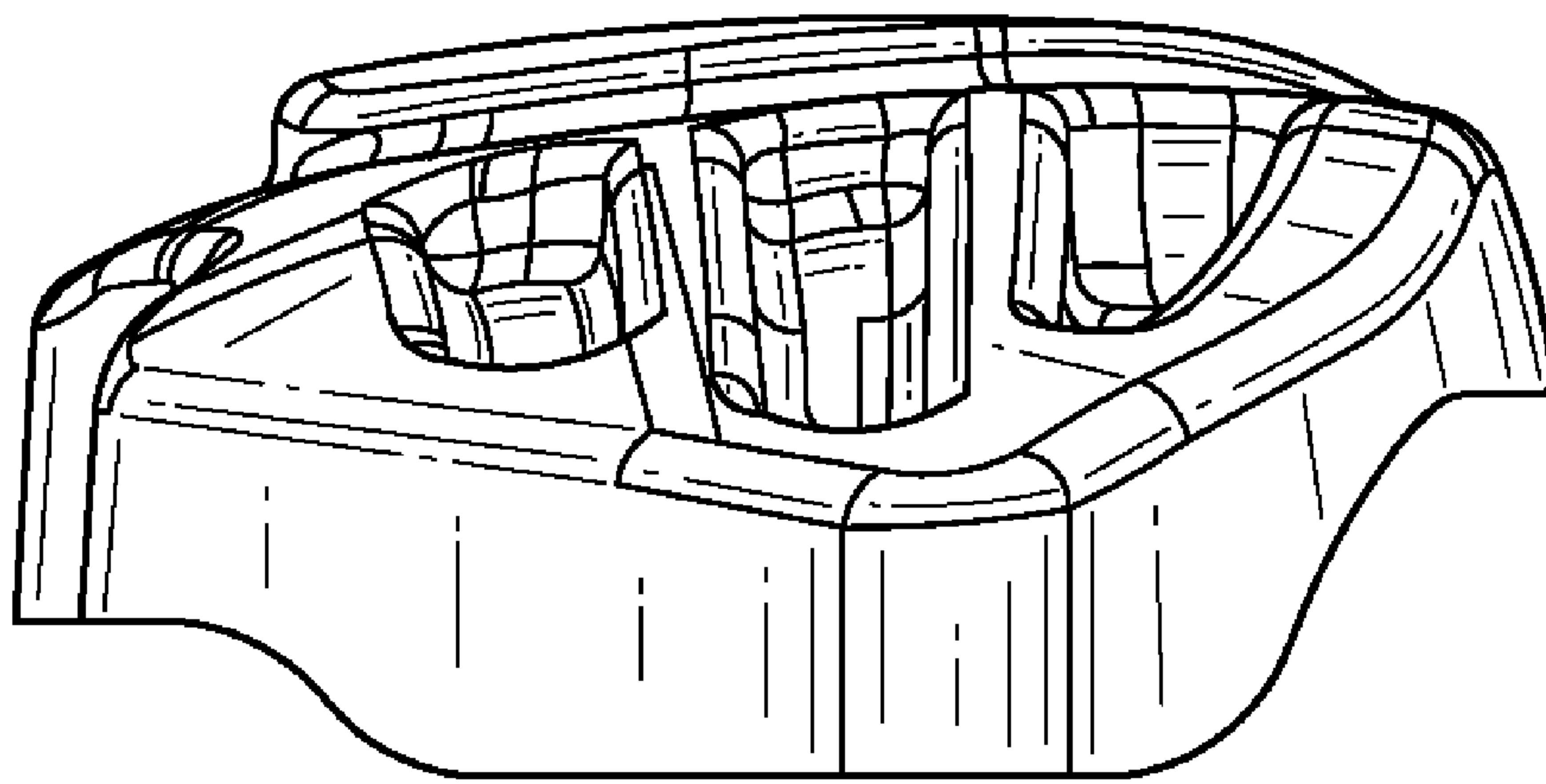
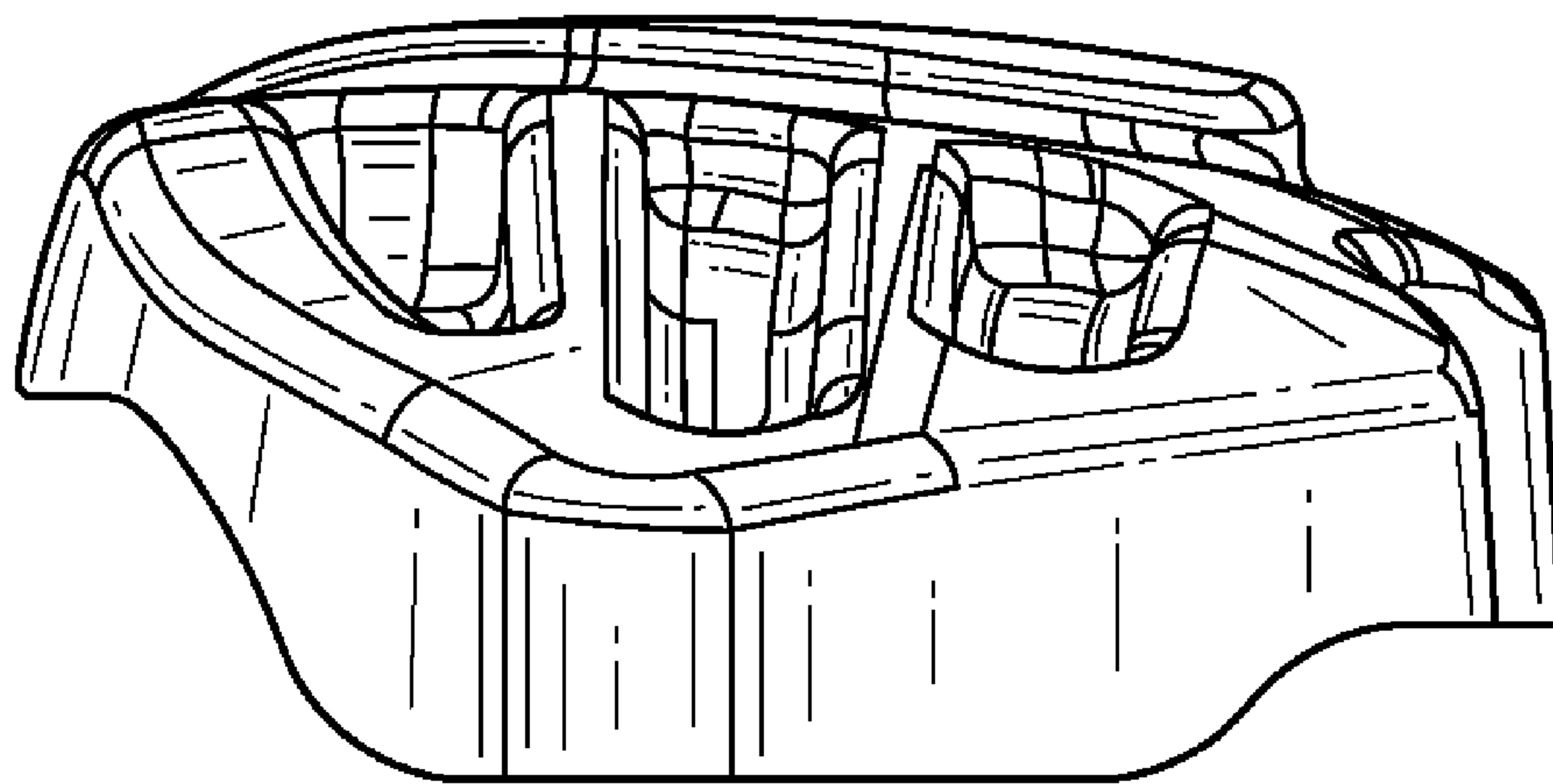


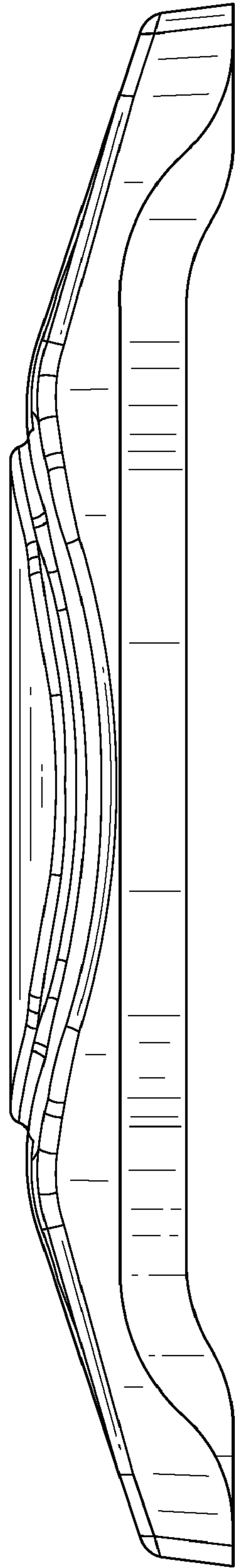
FIG. 3



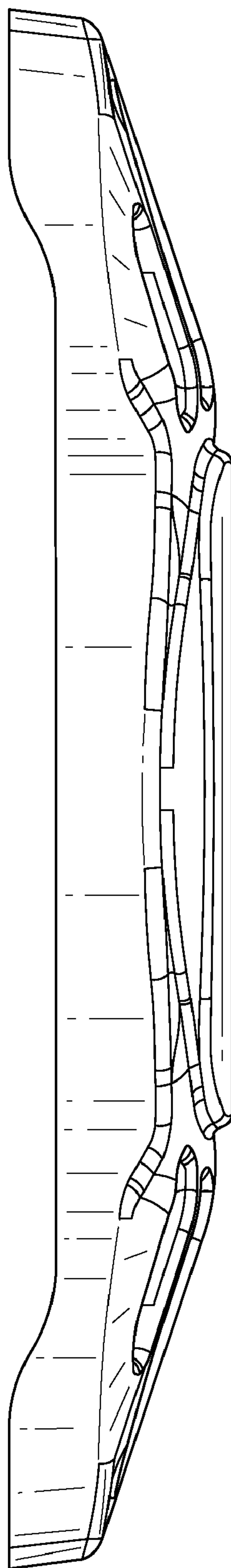
**FIG. 4**



**FIG. 5**



**FIG. 6**



**FIG. 7**