



US00D603766S

(12) **United States Design Patent**  
**Huang**

(10) **Patent No.:** **US D603,766 S**

(45) **Date of Patent:** **\*\* Nov. 10, 2009**

(54) **BRAKE RUBBER BLOCK**

(75) Inventor: **Tan-Cheng Huang**, Taichung County (TW)

(73) Assignee: **Ke Chiuan Technology Corp.**, Taichung County (TW)

(\*\*) Term: **14 Years**

(21) Appl. No.: **29/304,183**

(22) Filed: **Feb. 26, 2008**

(51) **LOC (9) Cl.** ..... **12-16**

(52) **U.S. Cl.** ..... **D12/180**

(58) **Field of Classification Search** ..... D12/180,  
D12/174, 400; 188/73.3, 71.1, 73.31-73.39,  
188/72.4, 72.2, 73.41, 73.43-73.46, 370,  
188/218 XL, 1.11 W, 24.11-24.13, 24.14-24.22,  
188/250 B, 73.1, 250 R, 264 R, 26; D8/333,  
D8/334

See application file for complete search history.

(56) **References Cited**

**U.S. PATENT DOCUMENTS**

|           |     |         |               |       |          |
|-----------|-----|---------|---------------|-------|----------|
| 3,986,585 | A * | 10/1976 | Toplis et al. | ..... | 188/73.1 |
| D247,906  | S * | 5/1978  | Erl           | ..... | D15/148  |
| D258,875  | S * | 4/1981  | Weiner        | ..... | D12/174  |
| D310,199  | S * | 8/1990  | Herner        | ..... | D12/180  |
| D397,071  | S * | 8/1998  | Hsueh         | ..... | D12/180  |
| D432,471  | S * | 10/2000 | Takizawa      | ..... | D12/180  |

|              |      |         |                |       |         |
|--------------|------|---------|----------------|-------|---------|
| D433,657     | S *  | 11/2000 | Takizawa       | ..... | D12/180 |
| D433,974     | S *  | 11/2000 | Takizawa       | ..... | D12/180 |
| D433,975     | S *  | 11/2000 | Takizawa       | ..... | D12/180 |
| D436,334     | S *  | 1/2001  | Takizawa       | ..... | D12/180 |
| D495,635     | S *  | 9/2004  | Everett        | ..... | D12/180 |
| D576,089     | S *  | 9/2008  | Jones          | ..... | D12/180 |
| D595,626     | S *  | 7/2009  | Huang          | ..... | D12/180 |
| 2006/0260890 | A1 * | 11/2006 | Dal Pra et al. | ..... | 188/238 |

\* cited by examiner

*Primary Examiner*—Robert M Spear  
*Assistant Examiner*—Cynthia Underwood

(57) **CLAIM**

The ornamental design for a brake rubber block, as shown and described.

**DESCRIPTION**

FIG. 1 is a perspective view of a brake rubber block showing my new design;

FIG. 2 is a front elevational view thereof;

FIG. 3 is a rear elevational view thereof;

FIG. 4 is a left side view thereof;

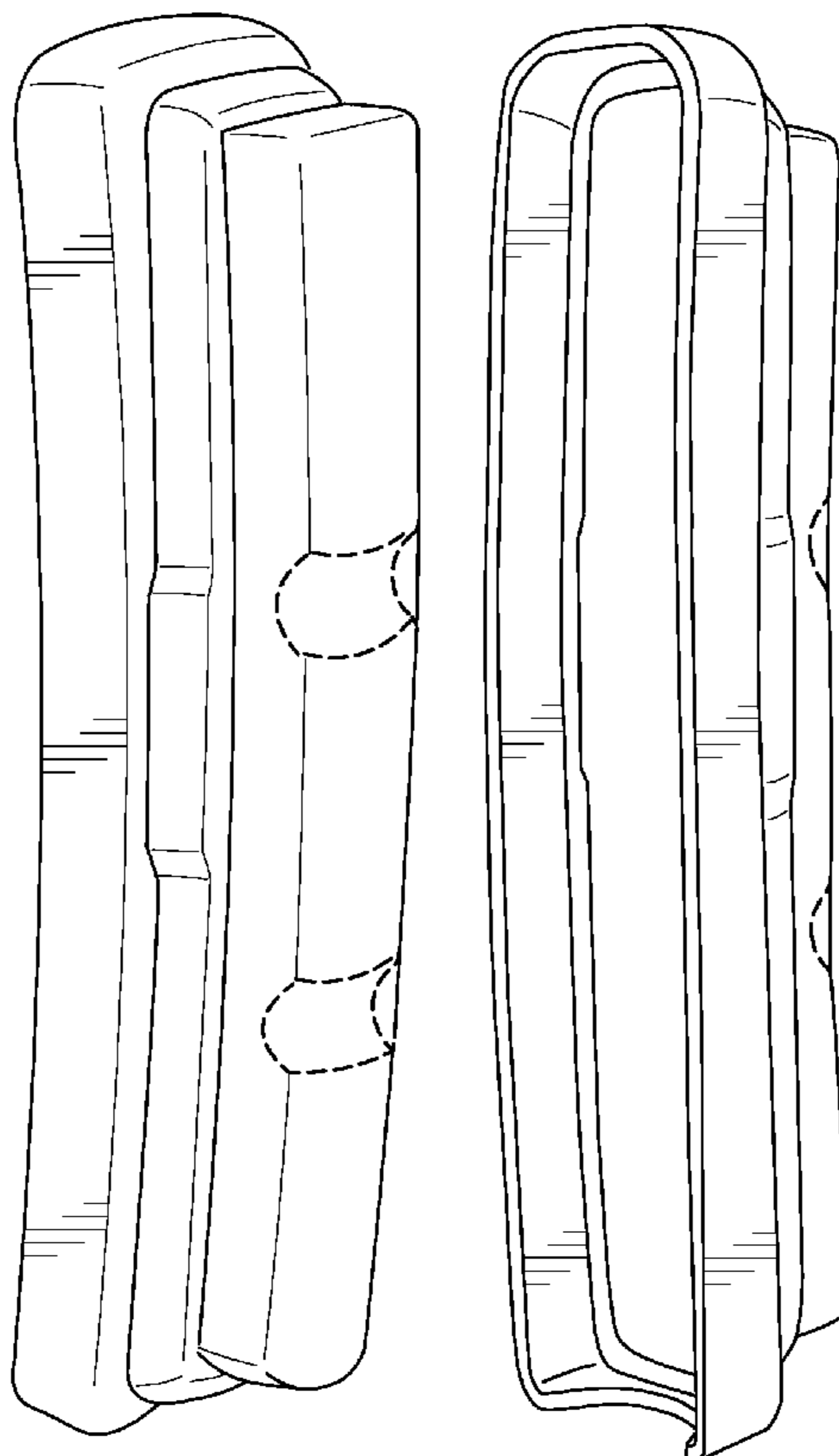
FIG. 5 is a right side view thereof;

FIG. 6 is a top plan view thereof;

FIG. 7 is a bottom plan view thereof; and,

FIG. 8 is a rear perspective view thereof.

**1 Claim, 6 Drawing Sheets**



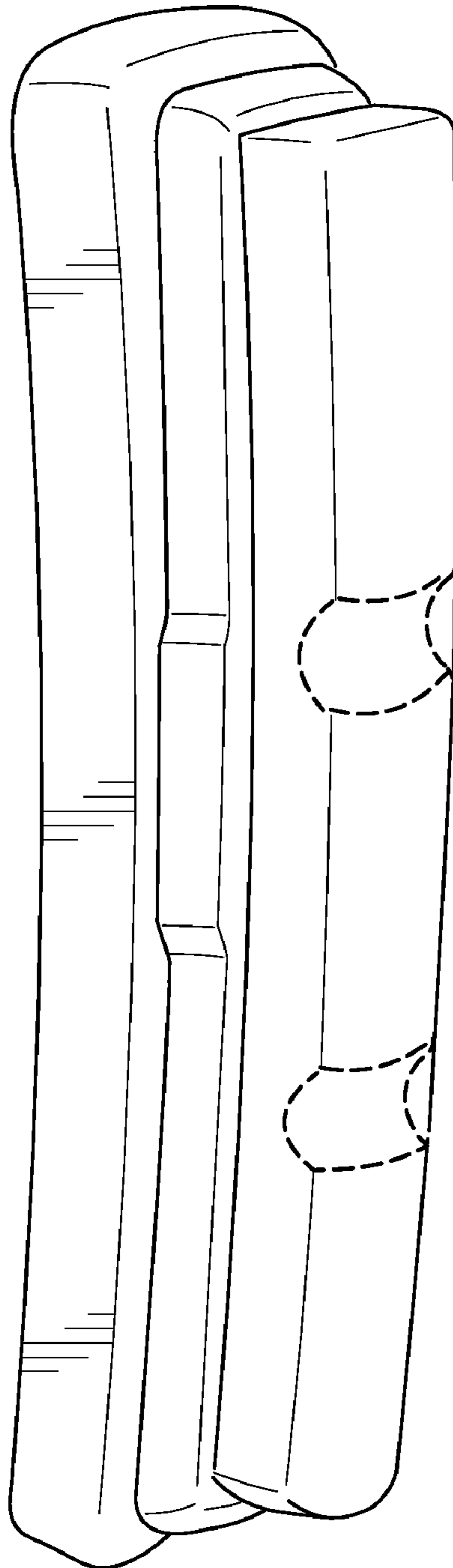


FIG. 1

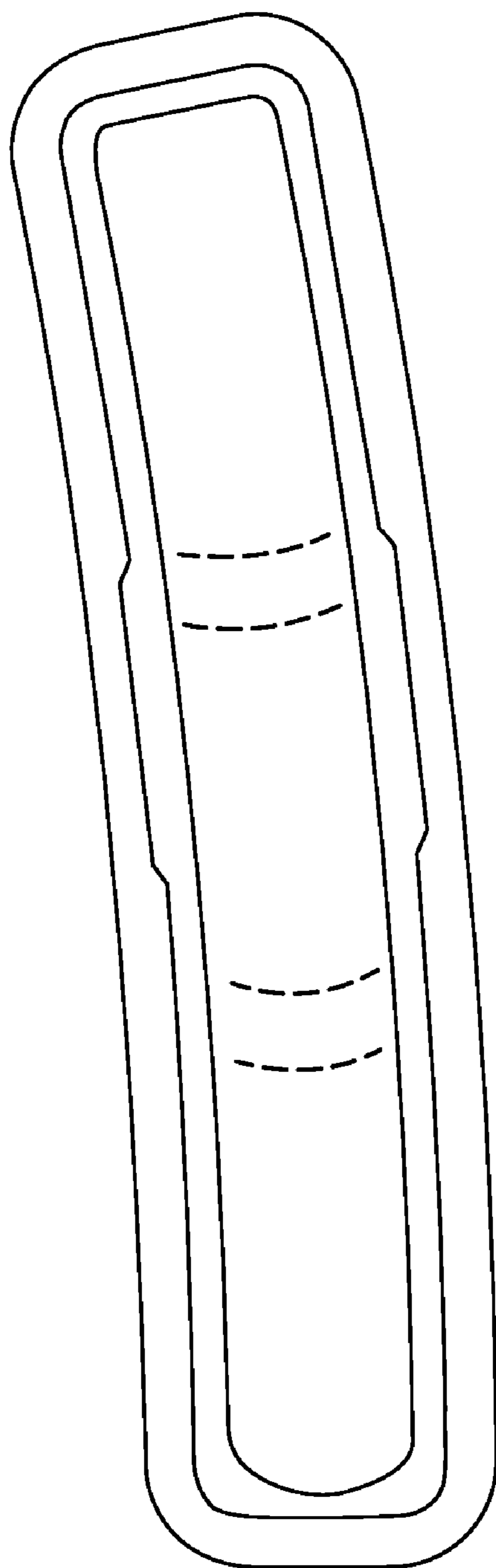


FIG. 2

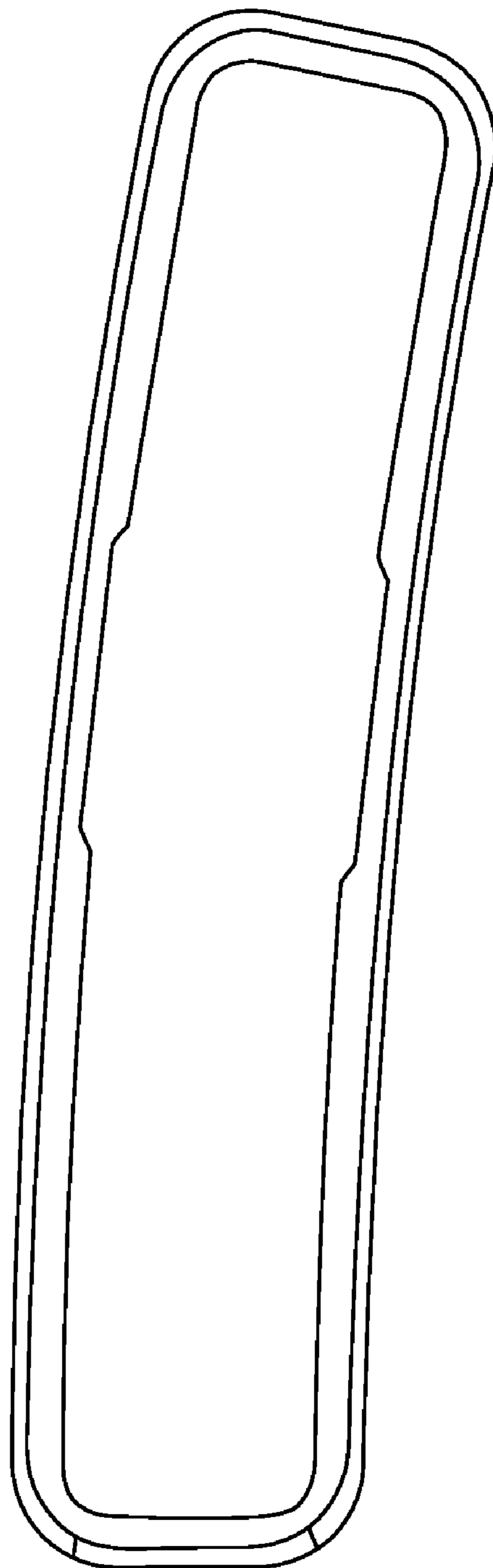


FIG. 3

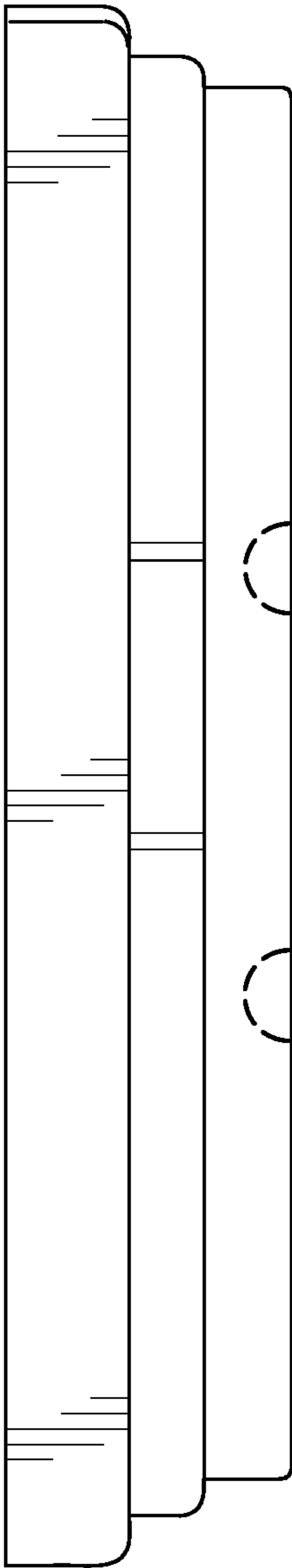


FIG. 4

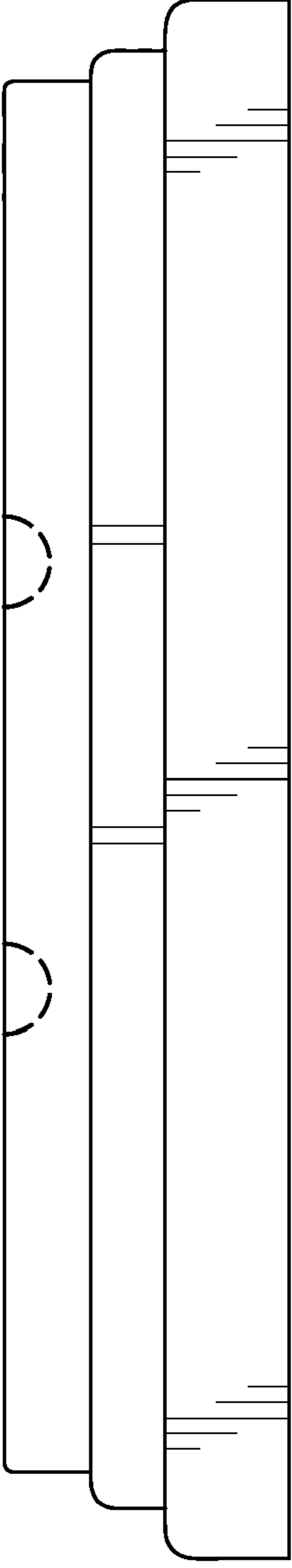


FIG. 5

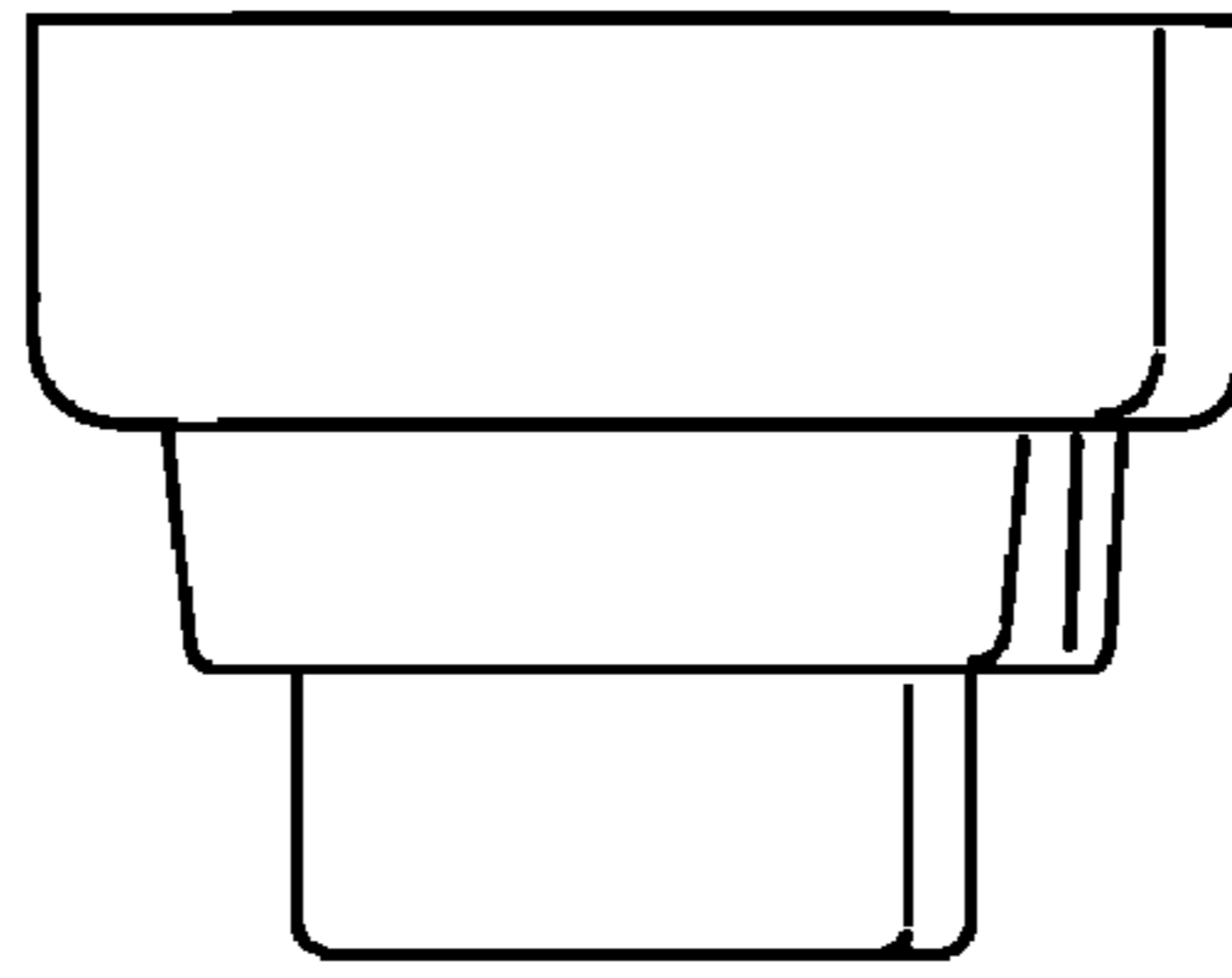


FIG. 6

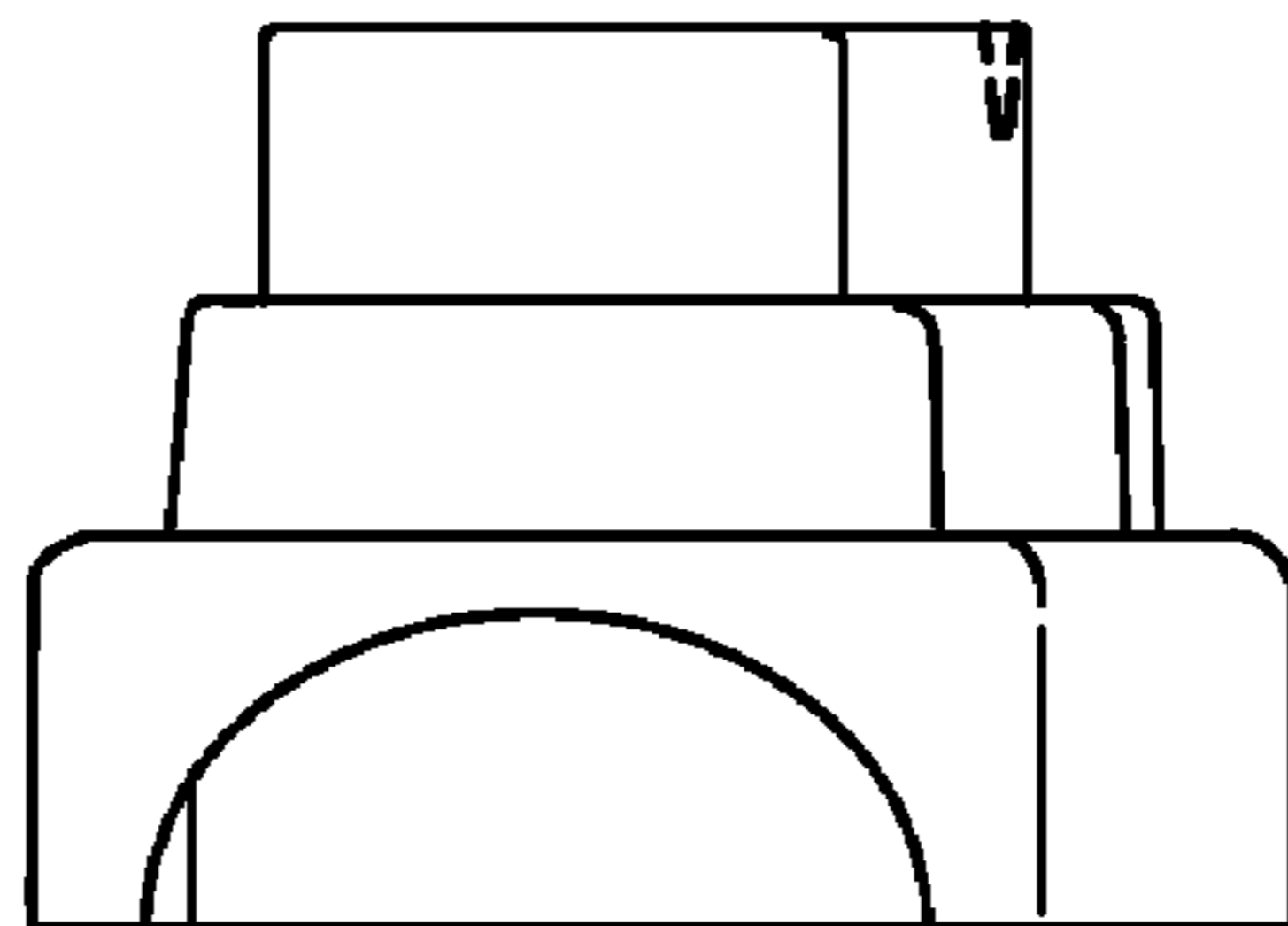


FIG. 7

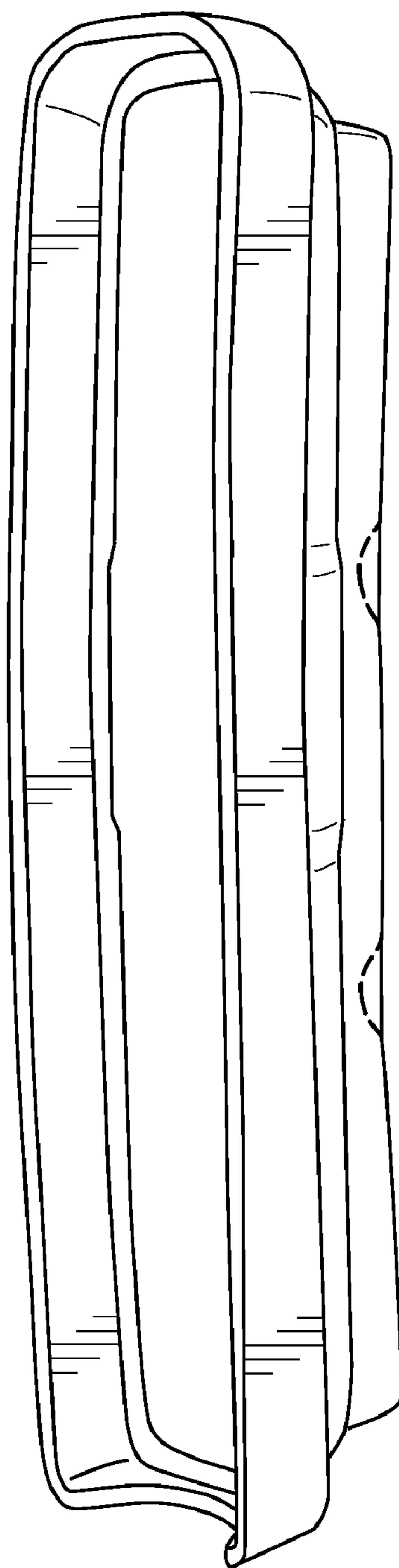


FIG. 8