



US00D603758S

(12) **United States Design Patent**
Melzer

(10) **Patent No.:** **US D603,758 S**

(45) **Date of Patent:** **** Nov. 10, 2009**

(54) **PONY BIKE**

D464,917 S * 10/2002 Rehkemper et al. D12/108

(76) **Inventor:** **William C. Melzer**, 210 Desert Holly
Dr., Palm Desert, CA (US) 92211

* cited by examiner

(**) **Term:** **14 Years**

Primary Examiner—Robin V Webster

Assistant Examiner—Linda Brooks

(74) *Attorney, Agent, or Firm*—Allan Grant

(21) **Appl. No.:** **29/313,383**

(57) **CLAIM**

(22) **Filed:** **Dec. 31, 2008**

I claim the ornamental design for the pony bike, as shown and described.

(51) **LOC (9) Cl.** **12-11**

(52) **U.S. Cl.** **D12/108**

(58) **Field of Classification Search** D12/108,
D12/111; D21/429, 538; 280/1.13, 1.14,
280/202, 1.204, 1.22; 446/275, 279, 440

DESCRIPTION

FIG. 1 is a perspective view of the pony bike;

FIG. 2 is a front view of the pony bike;

FIG. 3 is a back view of the pony bike;

FIG. 4 is a side view of the pony bike;

FIG. 5 is a other side view of the pony bike; and,

FIG. 6 is a top view of the pony bike.

See application file for complete search history.

The broken lines shown in the drawing form no part of the claimed design.

(56) **References Cited**

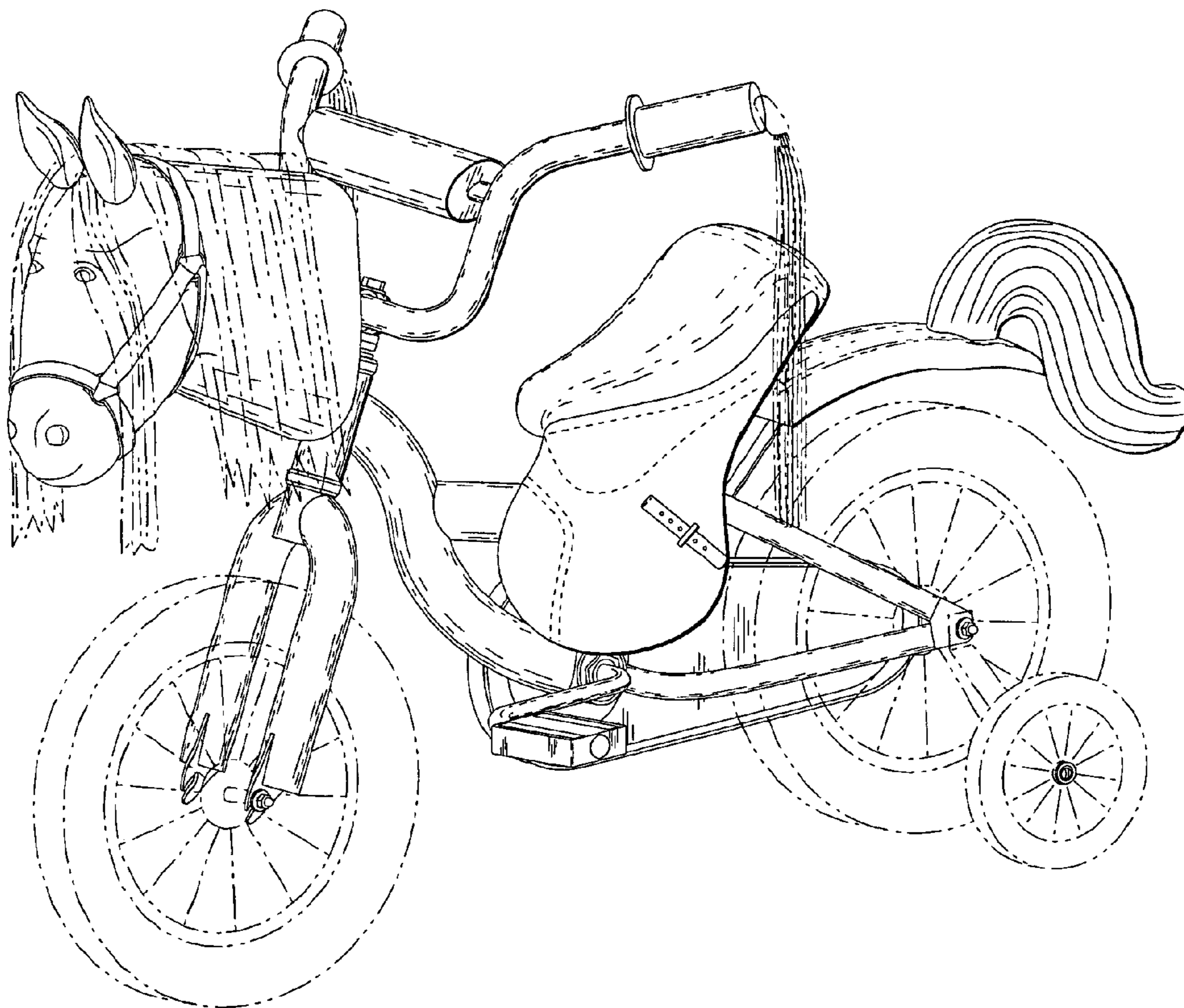
U.S. PATENT DOCUMENTS

D188,336 S * 7/1960 Dondelinger D12/108

D312,991 S * 12/1990 Lohrum et al. D12/108

D332,434 S * 1/1993 Tsun D12/108

1 Claim, 6 Drawing Sheets



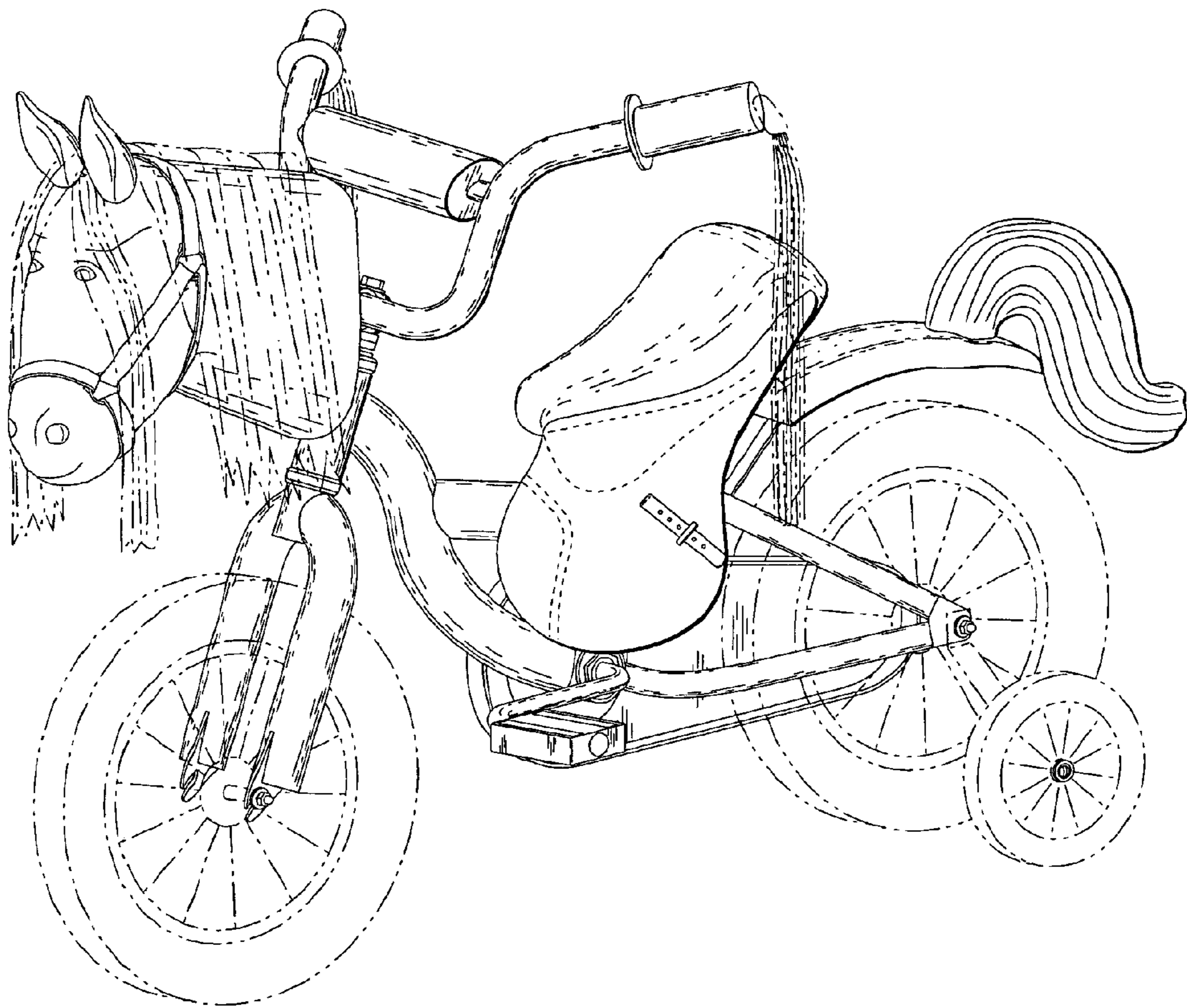


Fig. 1

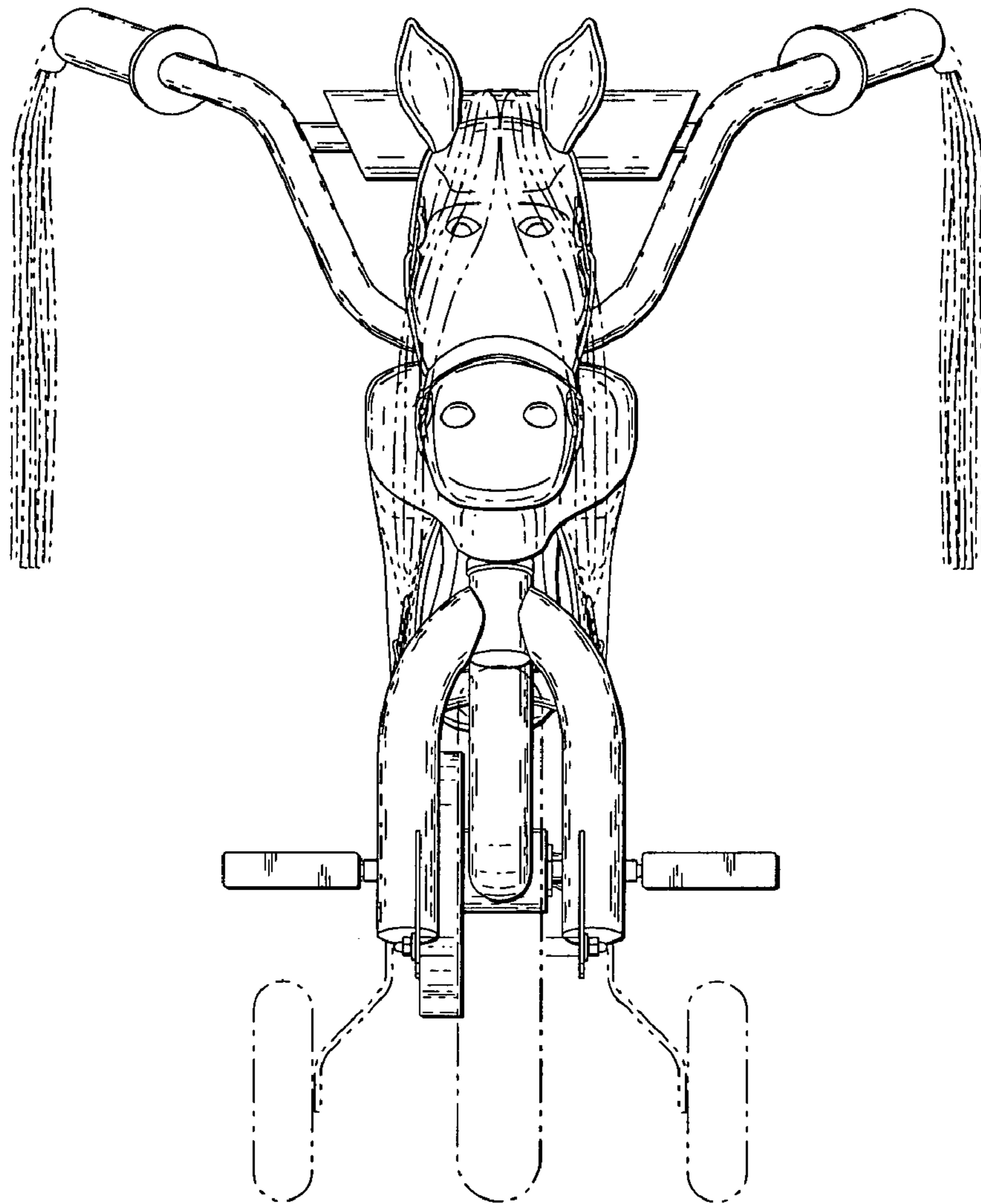


Fig. 2

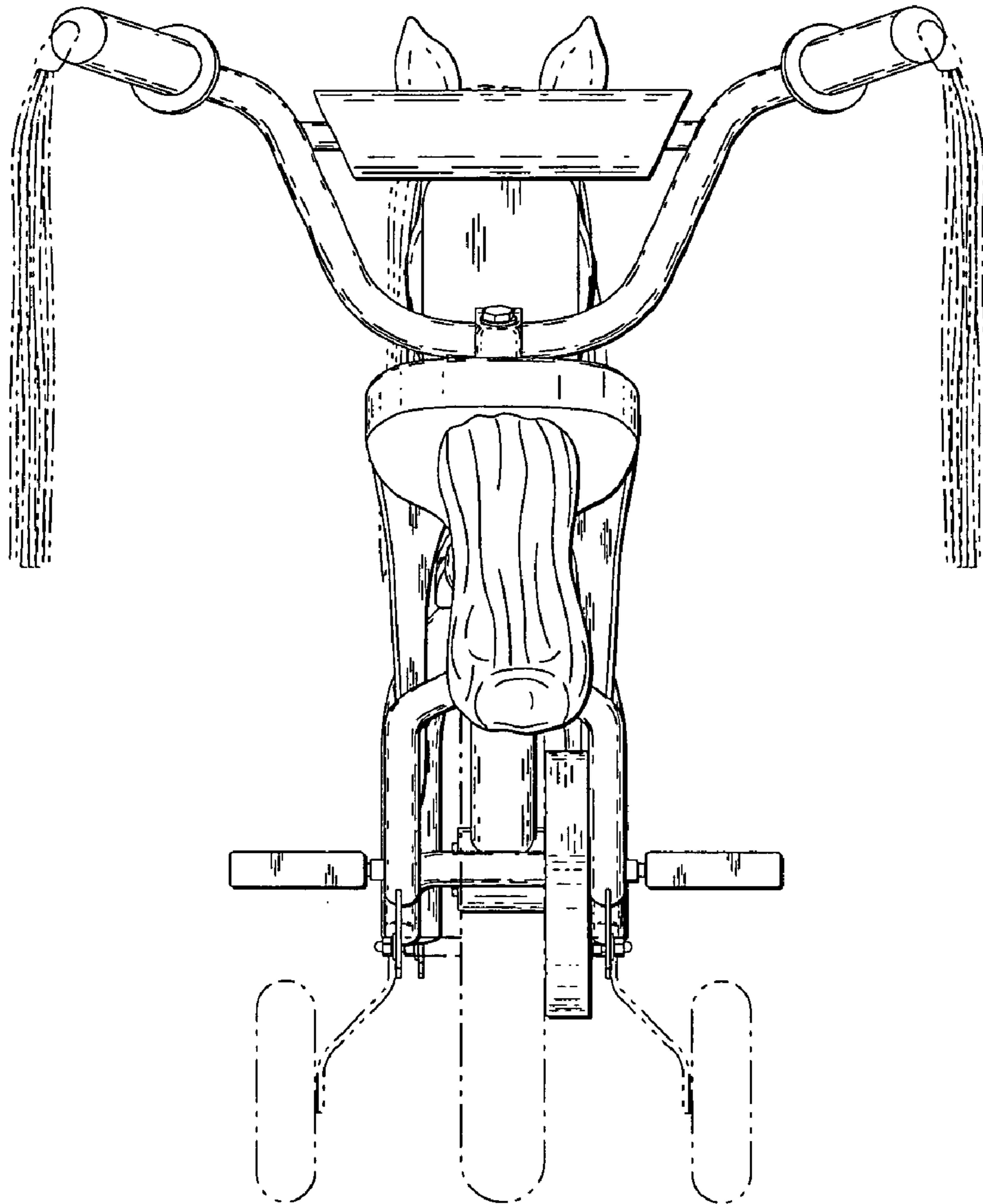


Fig. 3

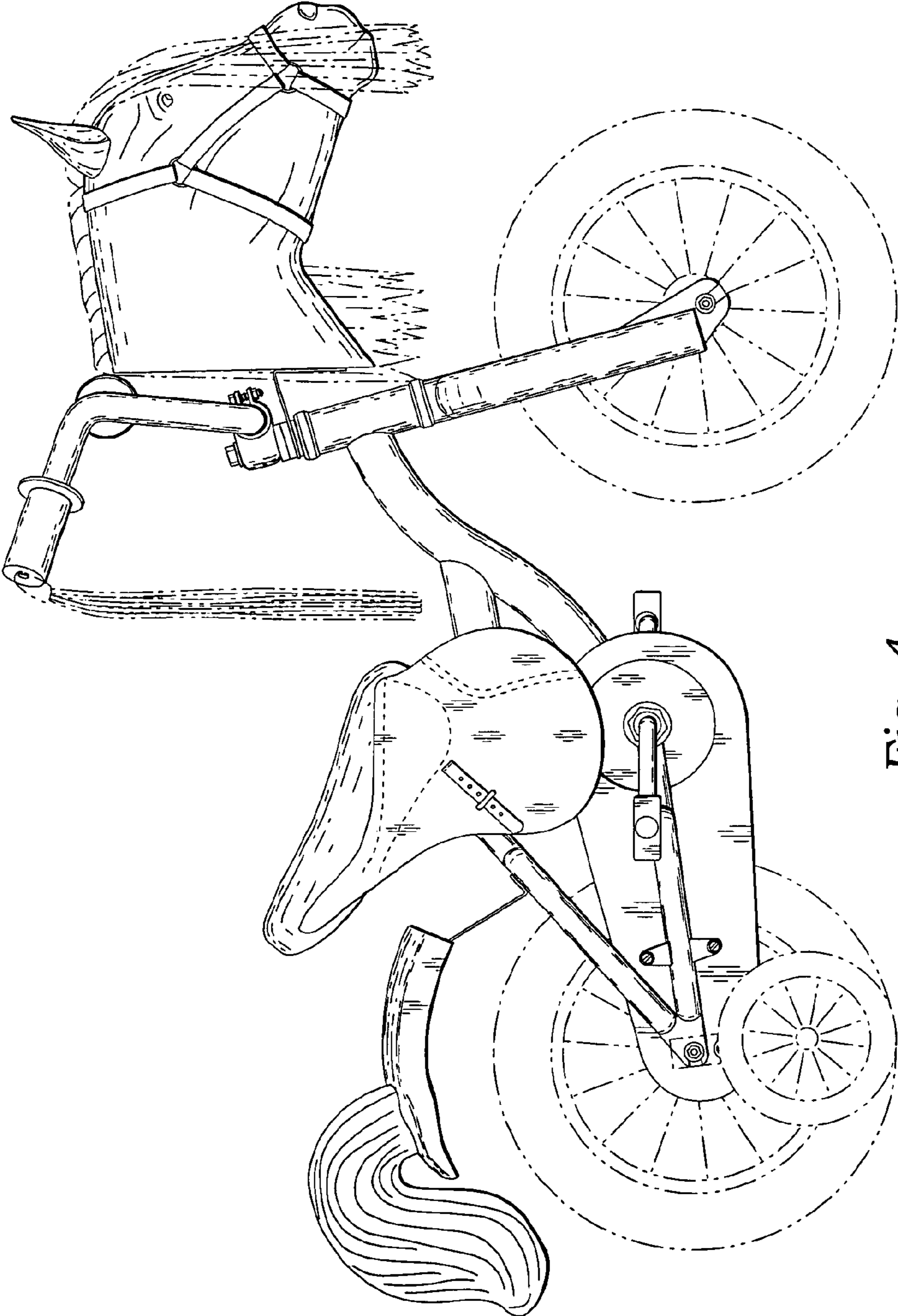


Fig. 4

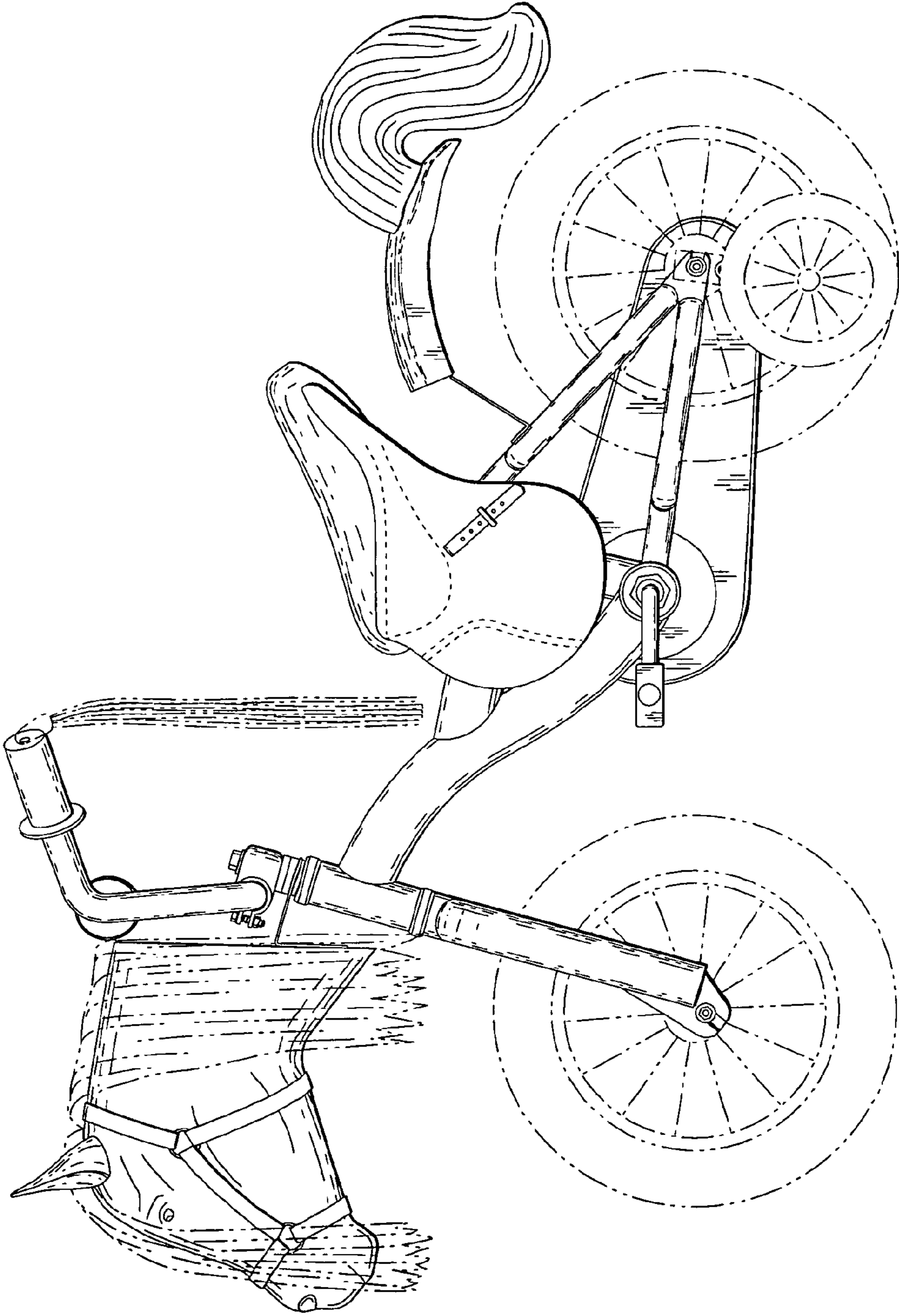


Fig. 5

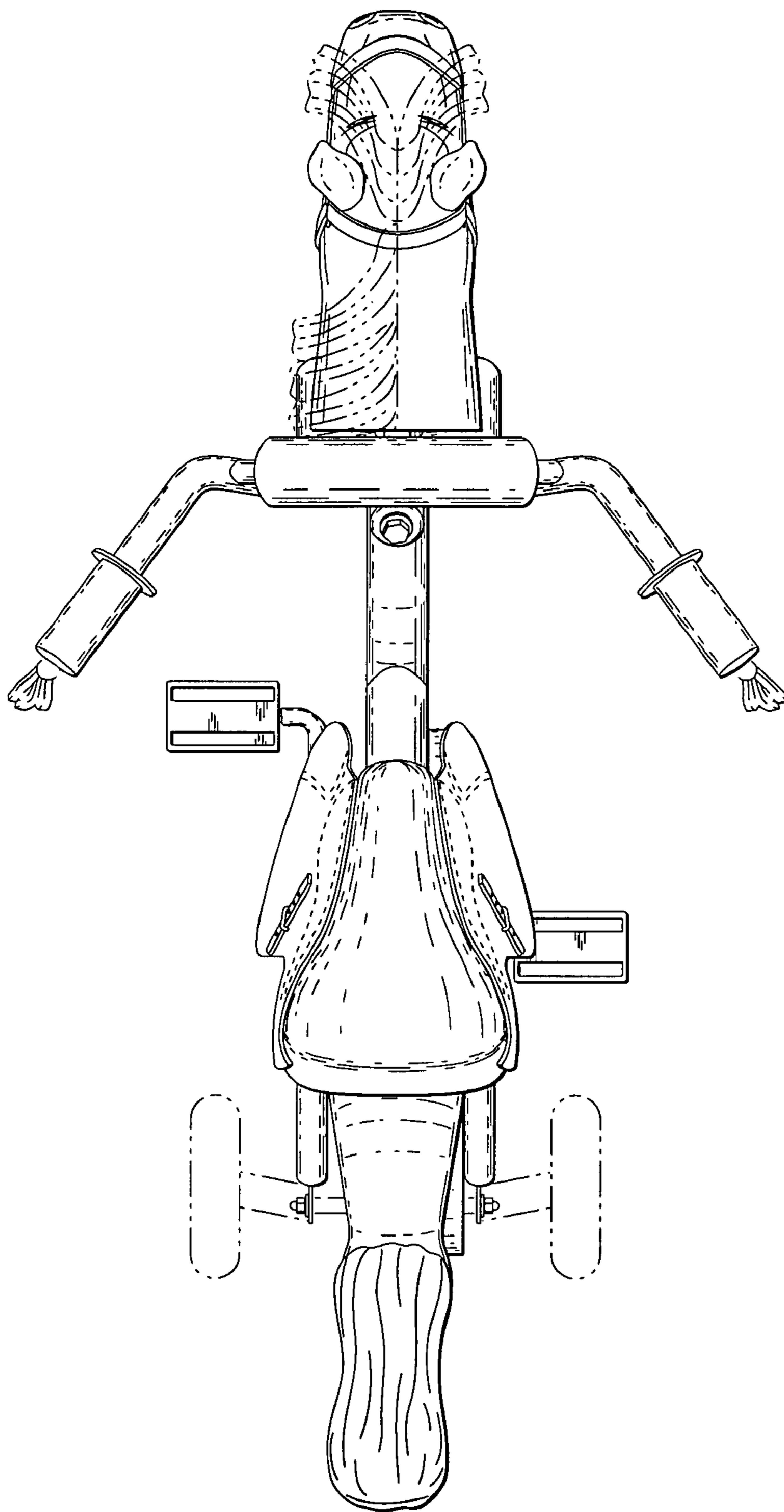


Fig. 6