



US00D603757S

(12) **United States Design Patent**
Moore et al.

(10) **Patent No.:** **US D603,757 S**

(45) **Date of Patent:** **** Nov. 10, 2009**

(54) **FOUR WHEELED BUGGY**

(75) Inventors: **Roy Thomas Moore**, Walsall (GB);
Barry Anthony Williams, Shustoke
(GB)

(73) Assignee: **Anglo China Trading Limited**,
Birmingham (GB)

(**) Term: **14 Years**

(21) Appl. No.: **29/310,245**

(22) Filed: **Aug. 5, 2008**

(30) **Foreign Application Priority Data**

Feb. 6, 2008 (EM) 000873765-0001

(51) **LOC (9) Cl.** **12-11**

(52) **U.S. Cl.** **D12/107**

(58) **Field of Classification Search** D12/3,
D12/16, 86, 87, 107, 110, 85; D34/15; 180/65.1-65.5,
180/214-217, 211, 231, 225, 223, 229, 233,
180/311, 312, 315; 280/DIG. 5, 202
See application file for complete search history.

(56) **References Cited**

U.S. PATENT DOCUMENTS

D222,242 S * 10/1971 Delaney et al. D12/16
D223,345 S * 4/1972 Nycum D12/16

D227,392 S * 6/1973 Skyer et al. D15/15
D228,751 S * 10/1973 Kouri D12/16
D377,325 S * 1/1997 Brown et al. D12/16
D385,219 S * 10/1997 Buchecker D12/16

* cited by examiner

Primary Examiner—Robin V Webster

Assistant Examiner—Linda G. Brooks

(74) *Attorney, Agent, or Firm*—J. Collard & Roe, P.C.

(57) **CLAIM**

The ornamental design for a four wheeled buggy, as shown and described.

DESCRIPTION

FIG. 1 shows a rear perspective view of my design for a four wheeled buggy;

FIG. 2 shows a front view thereof;

FIG. 3 shows a rear view thereof;

FIG. 4 shows a top view thereof;

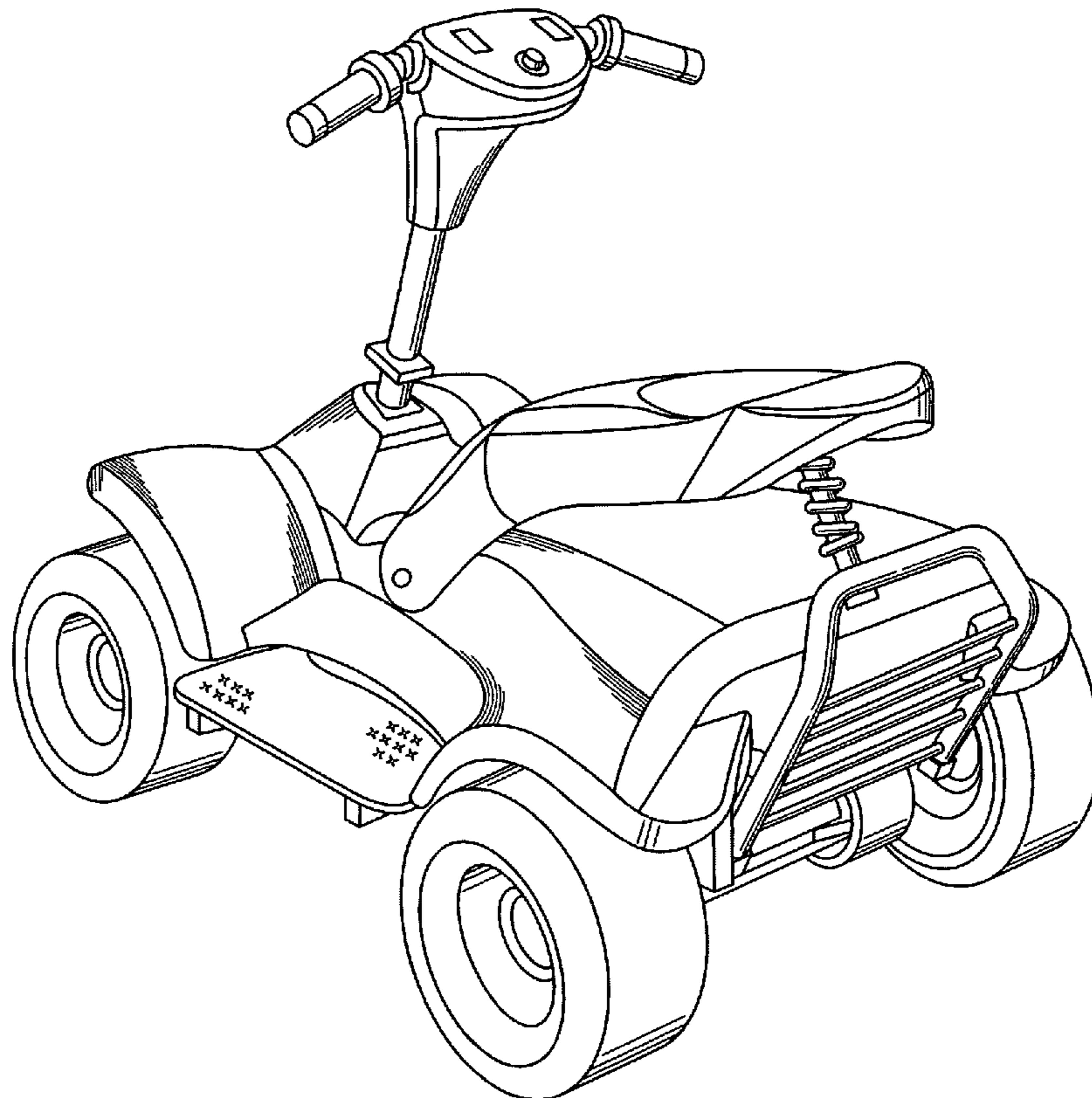
FIG. 5 shows a side view thereof;

FIG. 6 shows an opposite side view thereof; and,

FIG. 7 shows a front perspective view thereof.

The tread pattern shown in broken lines in FIGS. 1, 4 and 7 forms no part of the claimed design.

1 Claim, 7 Drawing Sheets



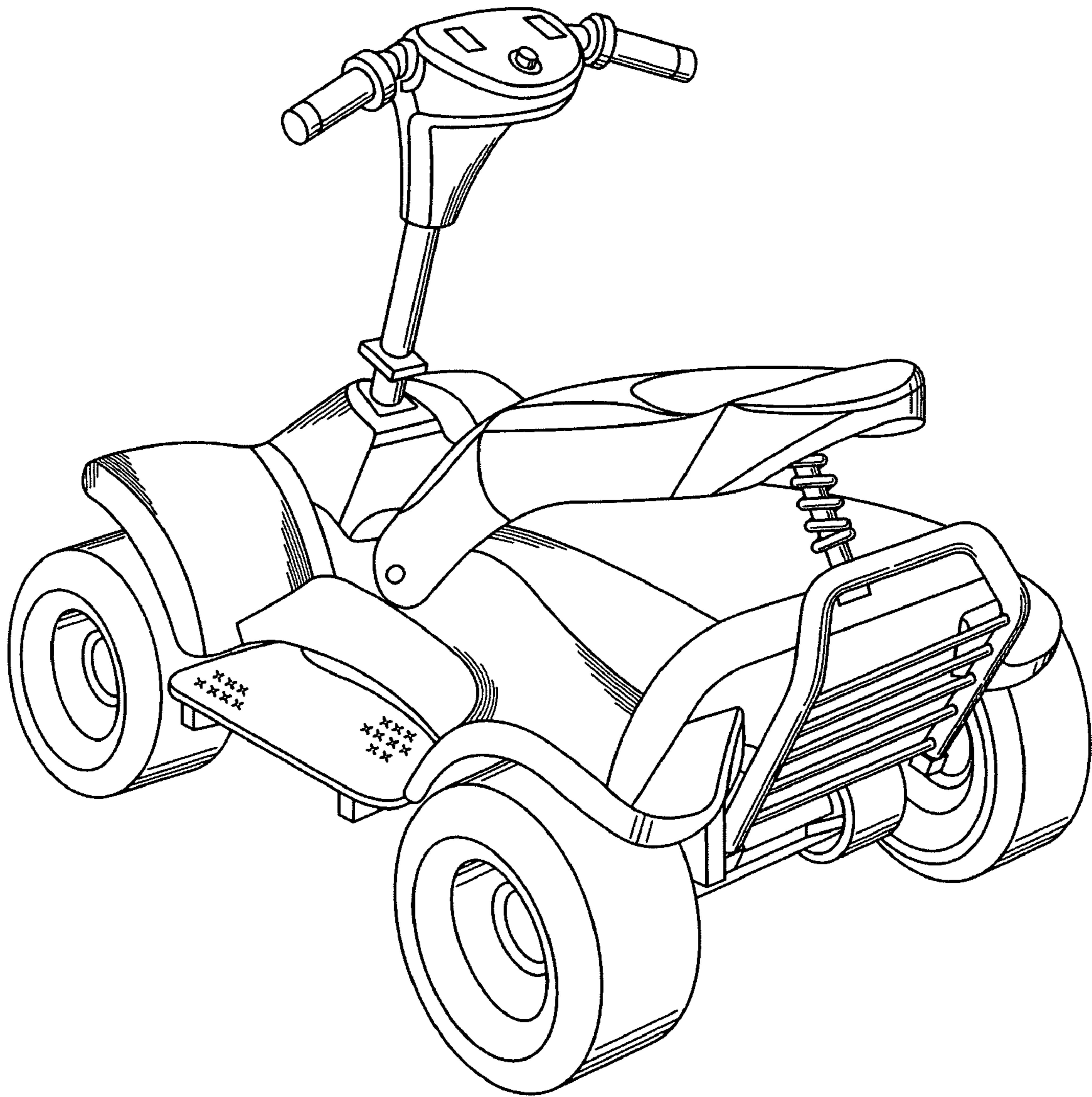


Fig. 1

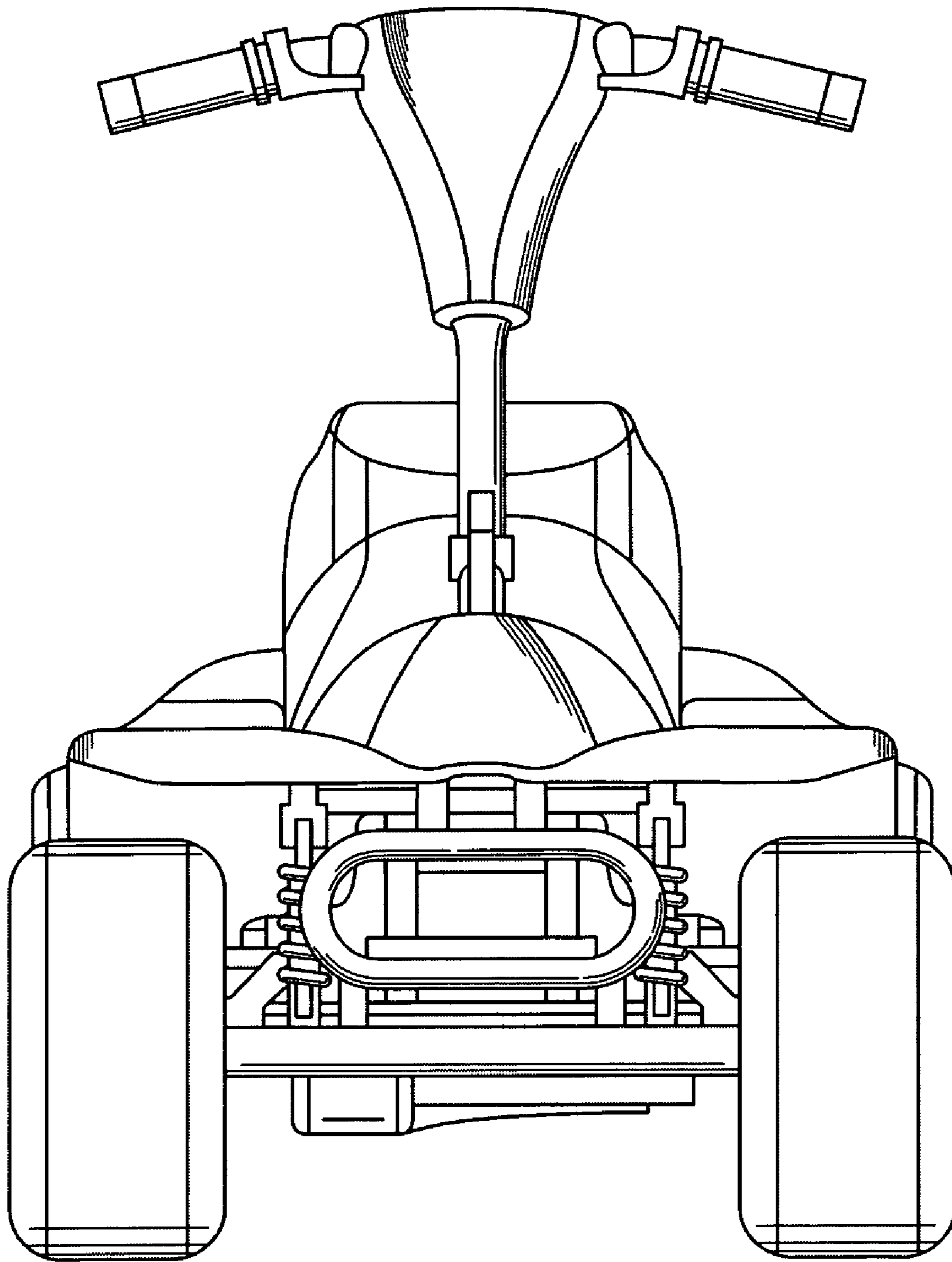


Fig. 2

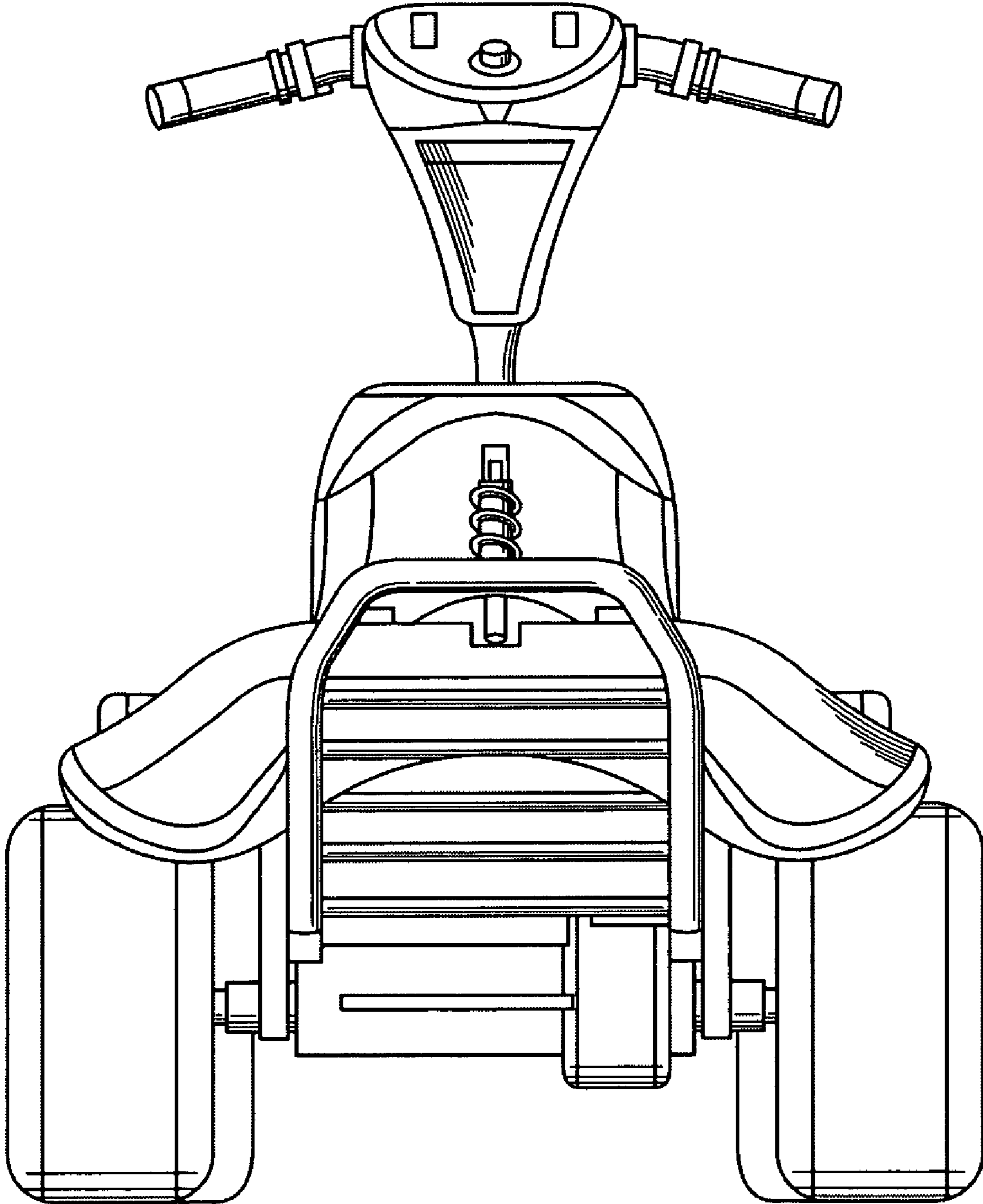


Fig. 3

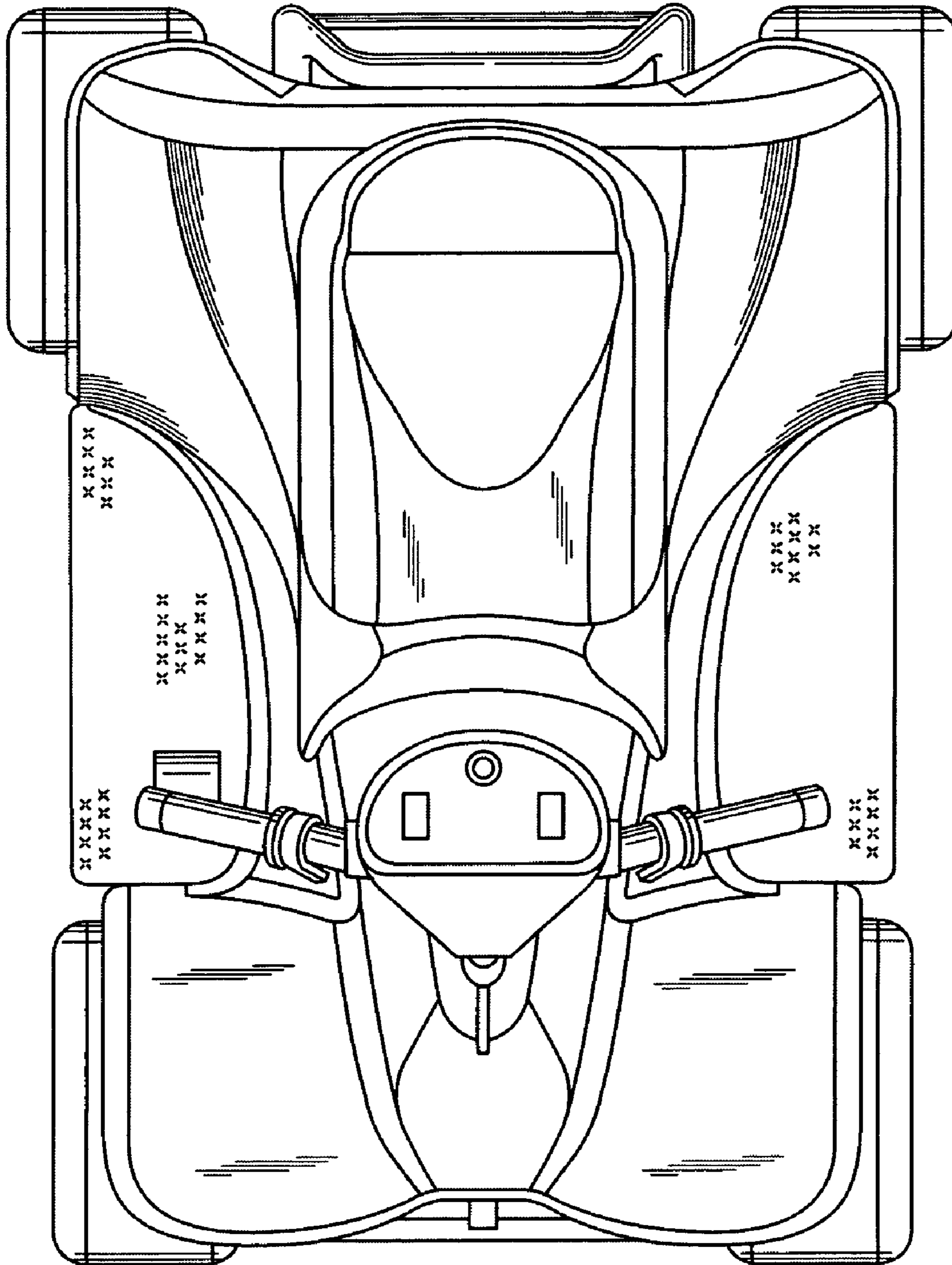


Fig. 4

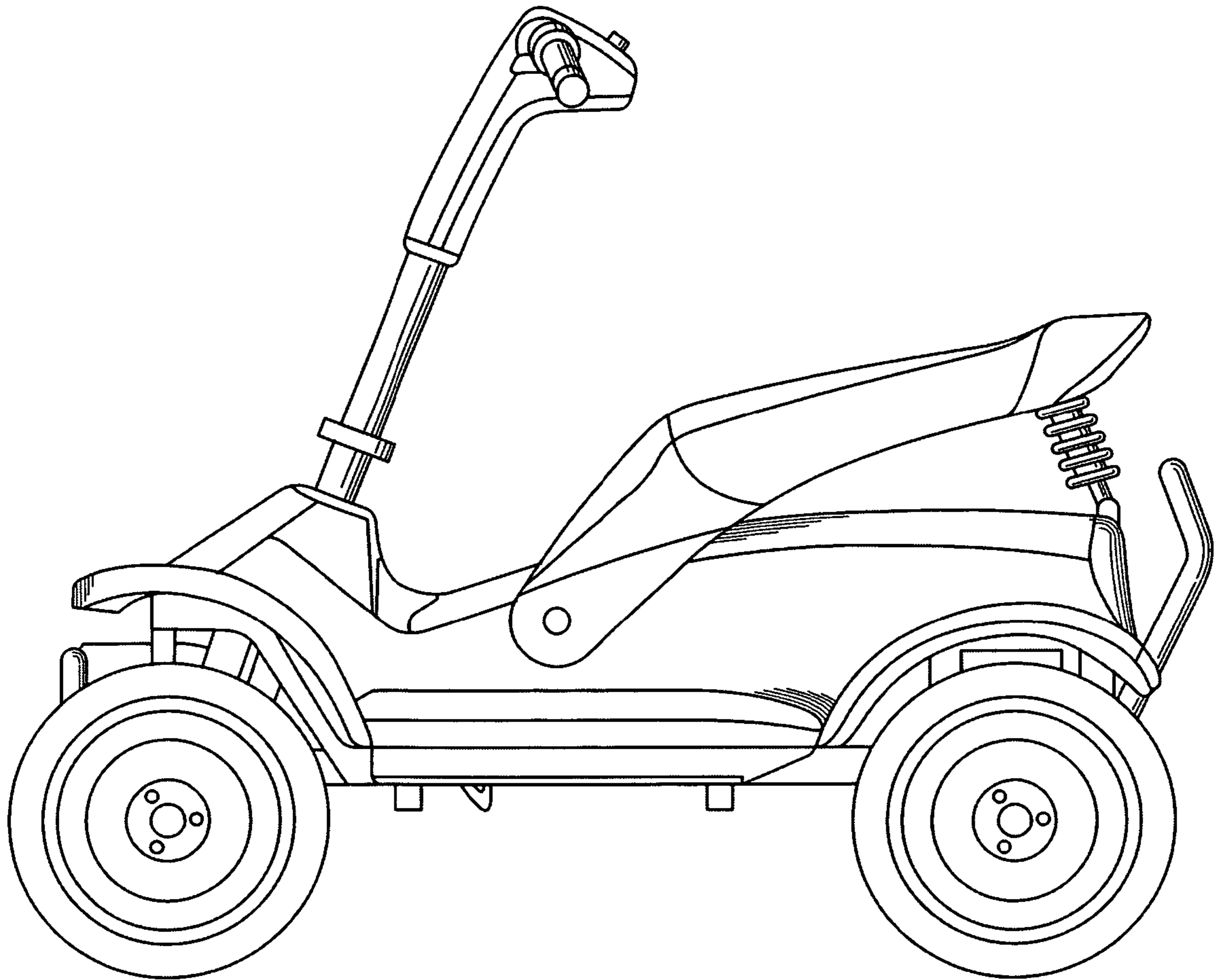


Fig. 5

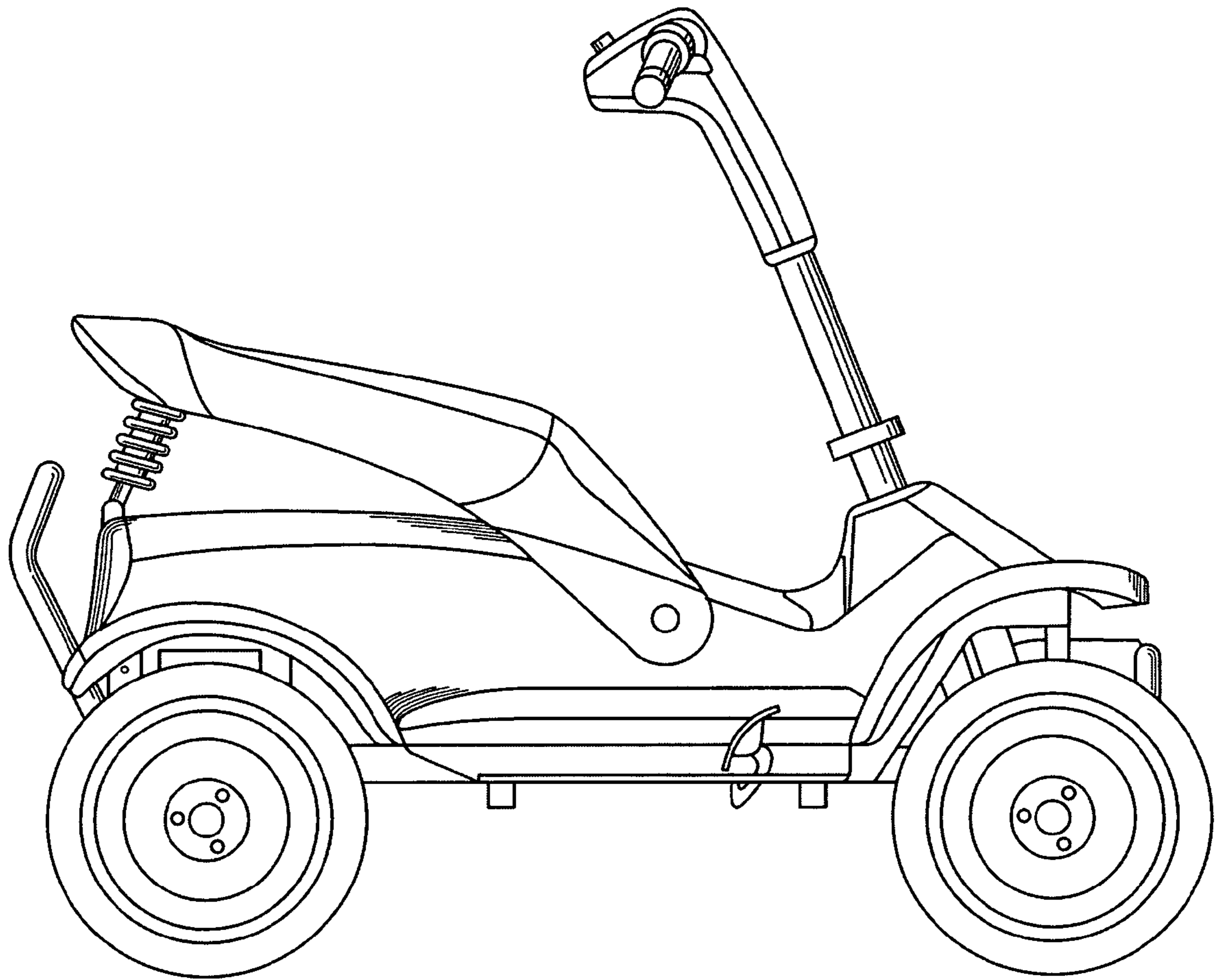


Fig. 6

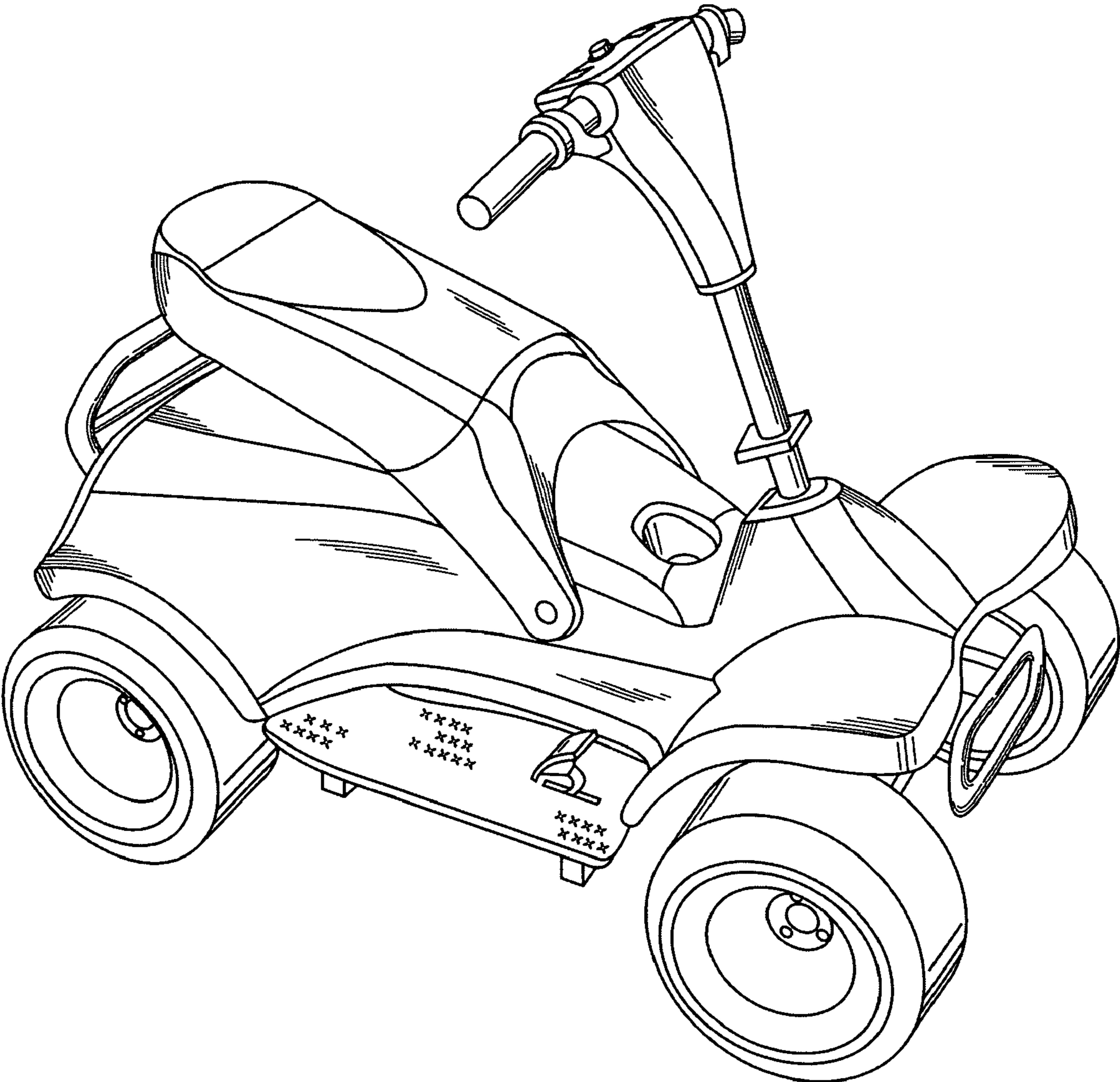


Fig. 7