



US00D603756S

(12) **United States Design Patent**  
**Rolph**

(10) **Patent No.:** **US D603,756 S**

(45) **Date of Patent:** **\*\* Nov. 10, 2009**

(54) **EXTERIOR TOP ROOF PORTION AND A  
BOTTOM EXTERIOR PORTION OF A  
MOTOR HOME**

(75) Inventor: **James Rolph**, Brea, CA (US)

(73) Assignee: **Krystal Koach, Inc.**, Brea, CA (US)

(\*\*) Term: **14 Years**

(21) Appl. No.: **29/324,474**

(22) Filed: **Sep. 12, 2008**

(51) **LOC (9) Cl.** ..... **12-10**

(52) **U.S. Cl.** ..... **D12/103**

(58) **Field of Classification Search** ..... D12/103,  
D12/163, 216, 101, 164, 173, 190, 195-196,  
D12/203, 169; 280/163; 293/102, 113, 115,  
293/117, 120, 180

See application file for complete search history.

(56) **References Cited**

**U.S. PATENT DOCUMENTS**

D284,752 S *	7/1986	Horton, Jr. ....	D12/203
5,895,064 A *	4/1999	Laubach .....	280/163
D434,347 S *	11/2000	Damon et al. ....	D12/96
6,435,534 B1 *	8/2002	Stone .....	280/163
D475,657 S *	6/2003	Wong et al. ....	D12/96
D491,863 S *	6/2004	Weber .....	D12/203
D495,979 S *	9/2004	Metros et al. ....	D12/163
D509,463 S *	9/2005	Nakamura et al. ....	D12/163
D539,708 S *	4/2007	Richards et al. ....	D12/163
D541,715 S *	5/2007	Ishizuka .....	D12/169
D545,727 S *	7/2007	Pfeiffer .....	D12/163
D558,104 S *	12/2007	Hieke .....	D12/163
7,306,271 B2 *	12/2007	Kang et al. ....	293/115
D565,482 S *	4/2008	Abe .....	D12/169
D572,635 S *	7/2008	Zheng .....	D12/163
D581,325 S *	11/2008	Zheng .....	D12/169

D589,420 S \* 3/2009 Raghavendran et al. .... D12/181  
2002/0060440 A1 \* 5/2002 Storer ..... 280/163

\* cited by examiner

*Primary Examiner*—Elizabeth A Albert

*Assistant Examiner*—Kelley A Donnelly

(74) *Attorney, Agent, or Firm*—John J. Connors; Connors & Assoc.

(57) **CLAIM**

The ornamental design for an exterior top roof portion and a bottom exterior portion of a motor home, as shown and described.

**DESCRIPTION**

FIG. 1 is a front perspective view of one embodiment of my exterior top roof portion and a bottom exterior portion of a motor home;

FIG. 2 is a rear perspective view thereof;

FIG. 3 is a driver's side thereof;

FIG. 4 is a passenger's side thereof;

FIG. 5 is a front view thereof;

FIG. 6 is a rear view thereof; and

FIG. 7 is a top plan view thereof.

FIG. 8 is a driver's side view of a second embodiment of my exterior top roof portion and a bottom exterior portion of a motor home;

FIG. 9 is a passenger's side view thereof;

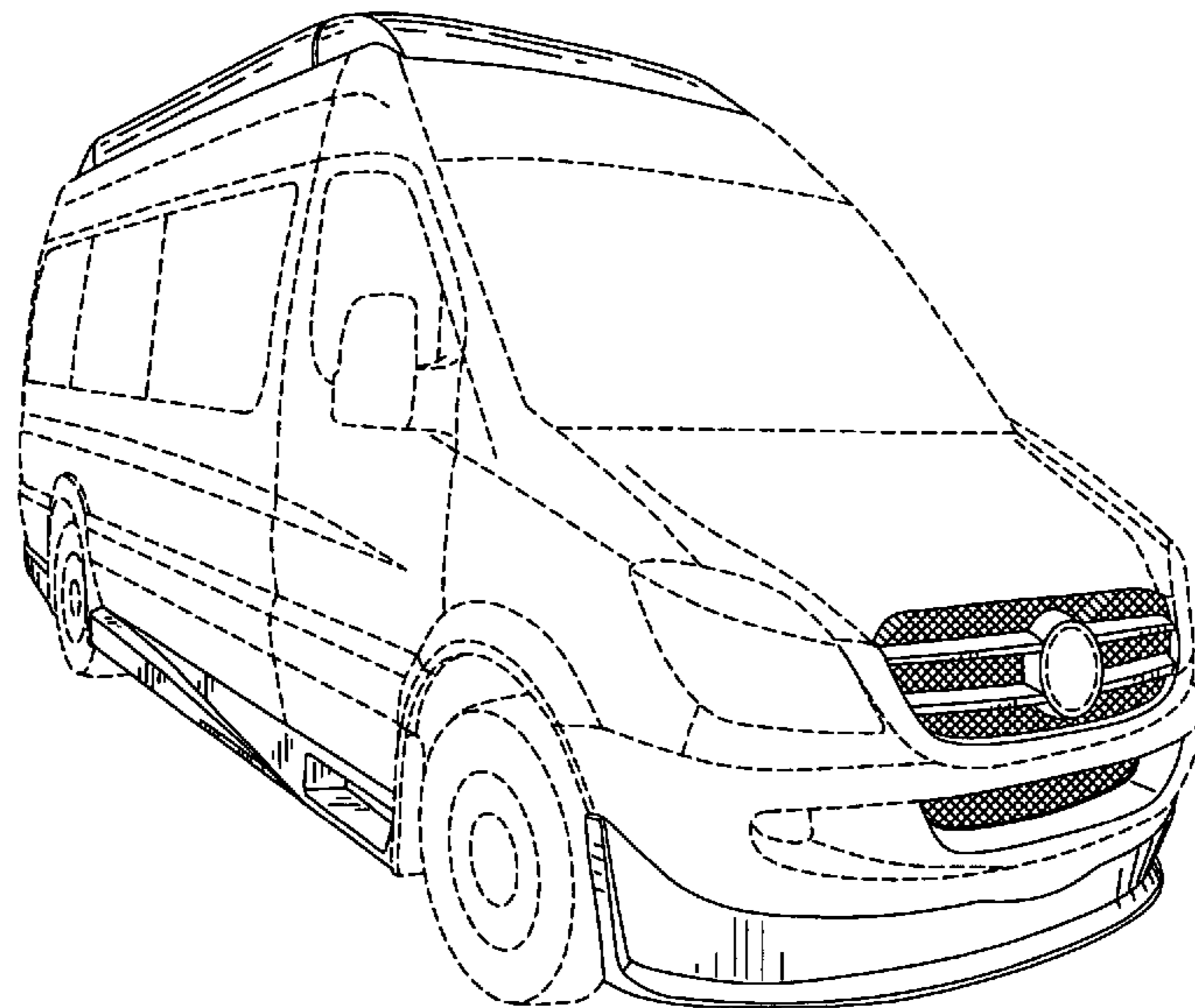
FIG. 10 is a front view thereof;

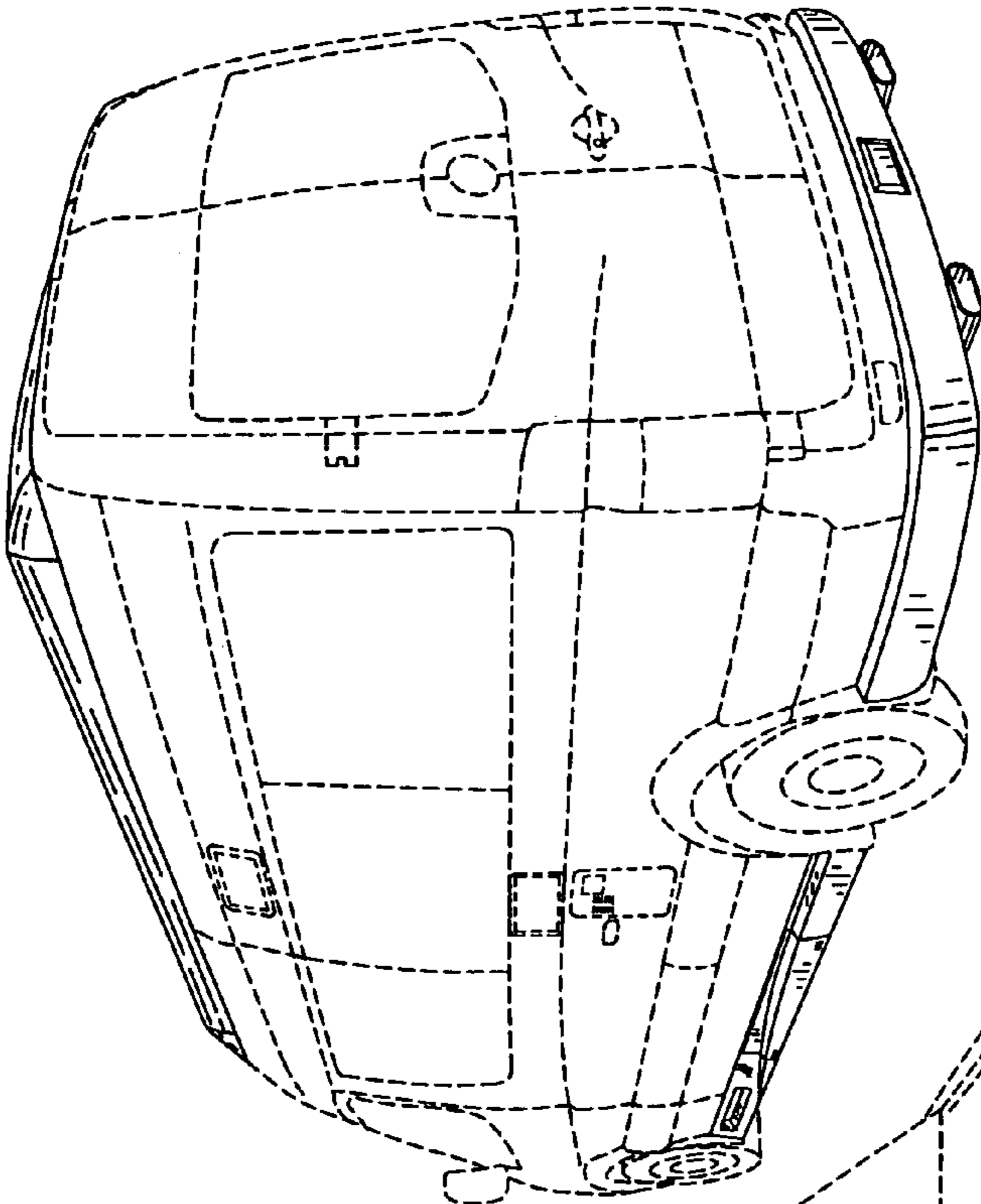
FIG. 11 is a rear view thereof; and,

FIG. 12 is a top plan view thereof.

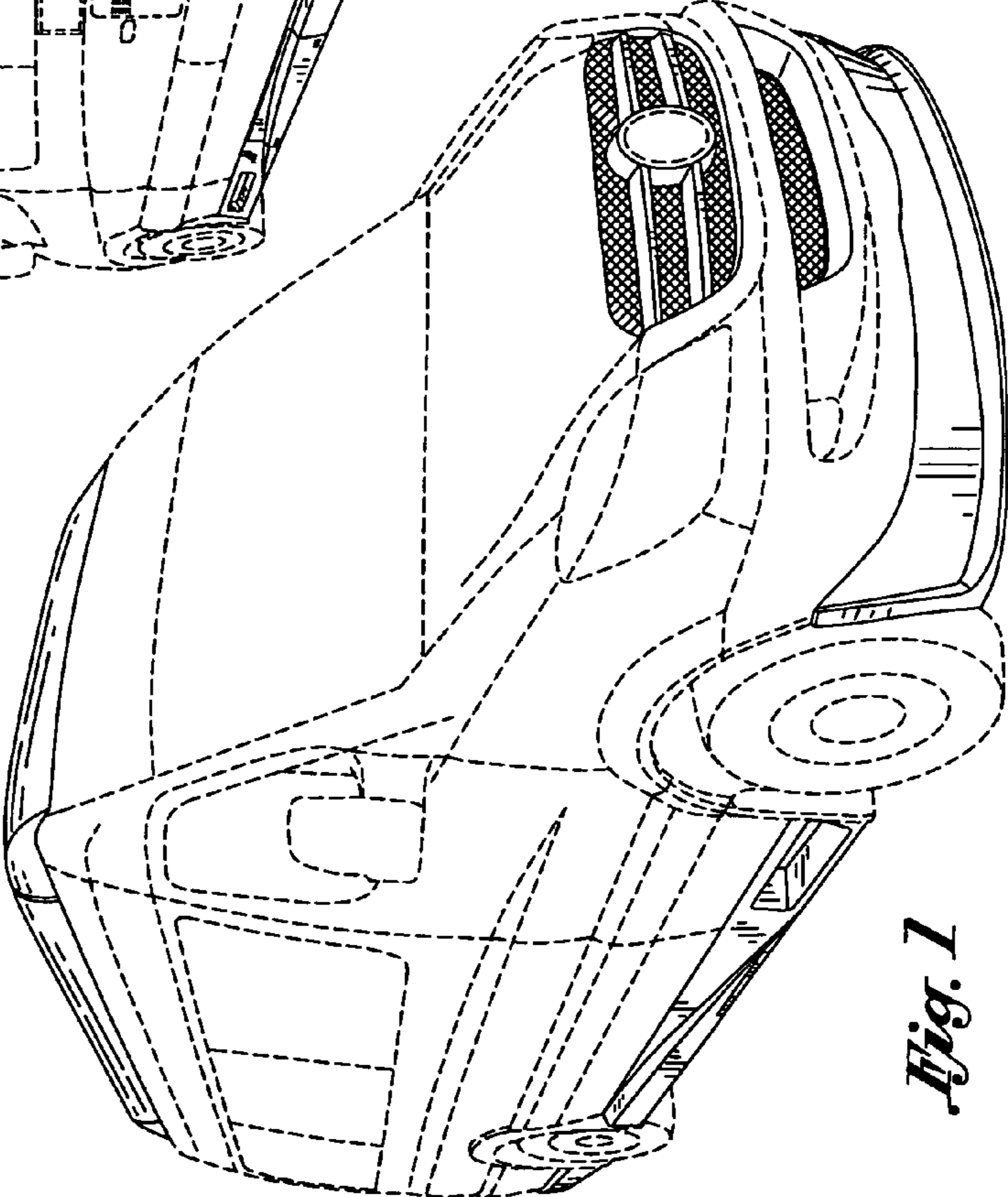
The broken lines are for environmental purposes only and form no part of the claimed design.

**1 Claim, 9 Drawing Sheets**

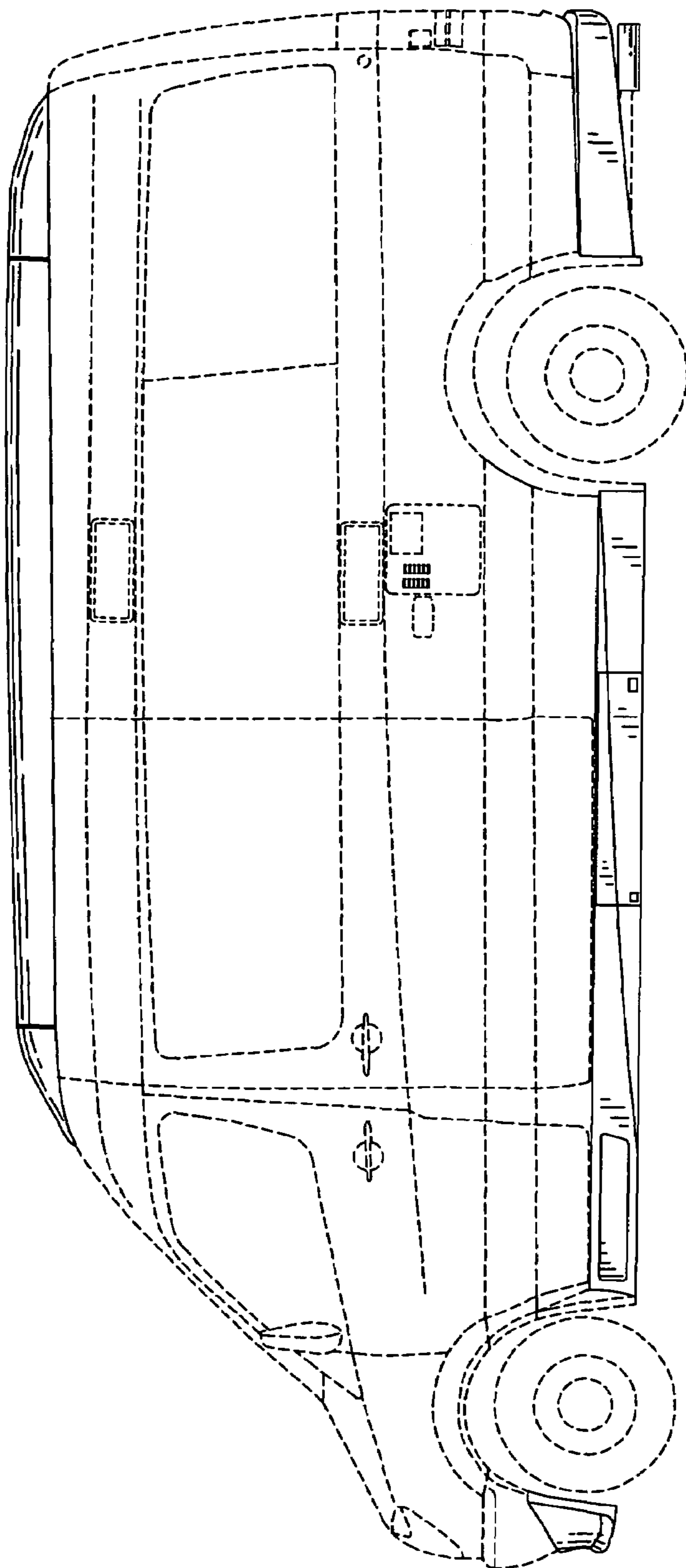




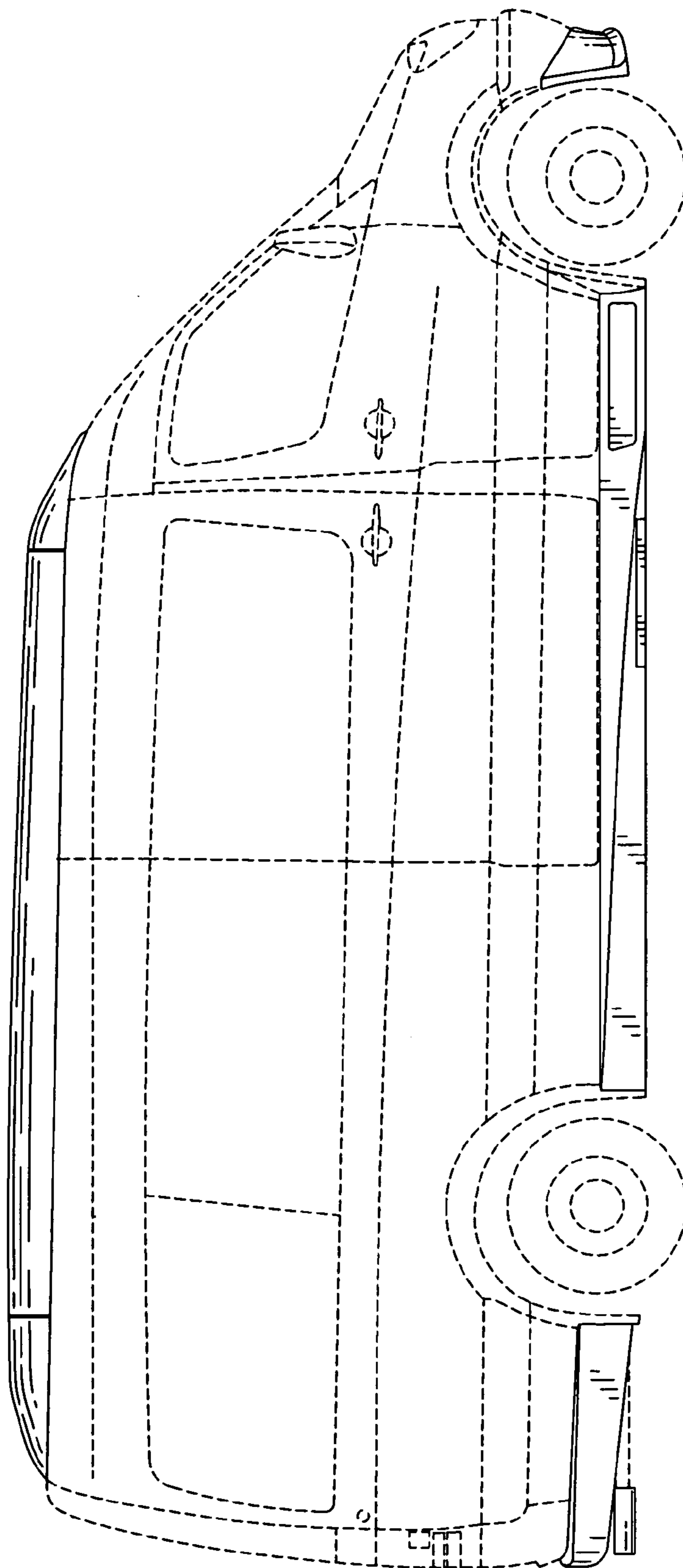
*Fig. 2*



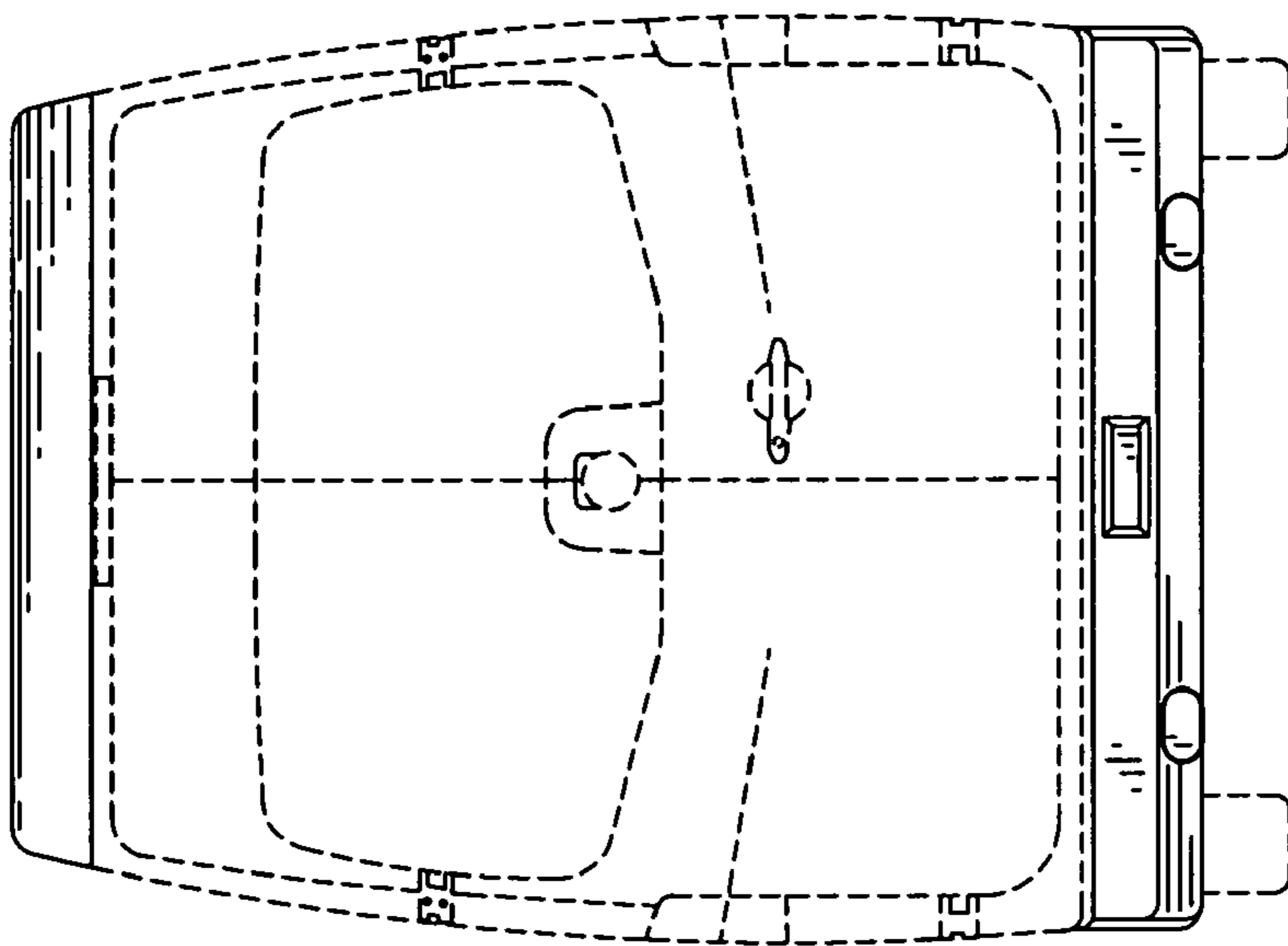
*Fig. 1*



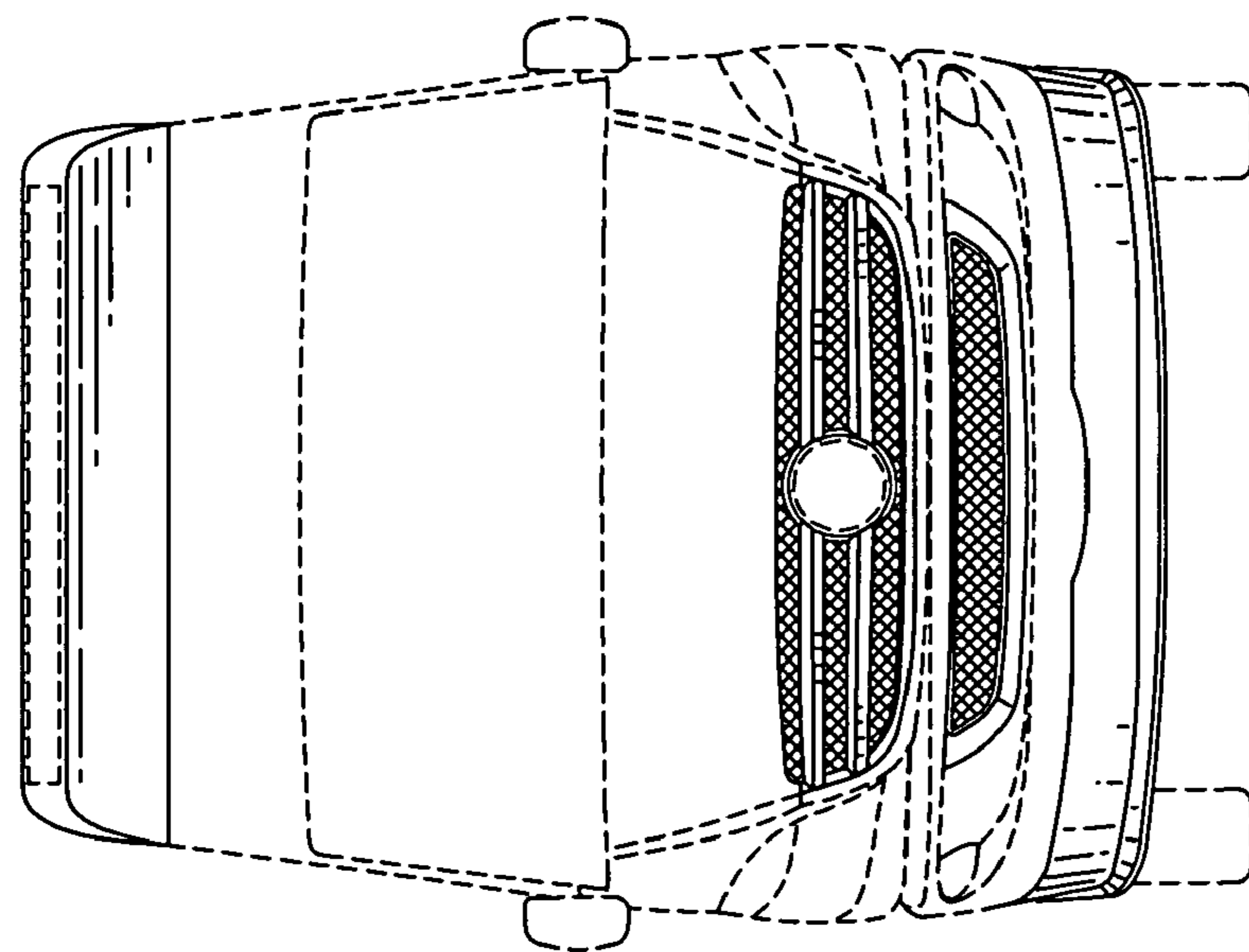
*Fig. 3*



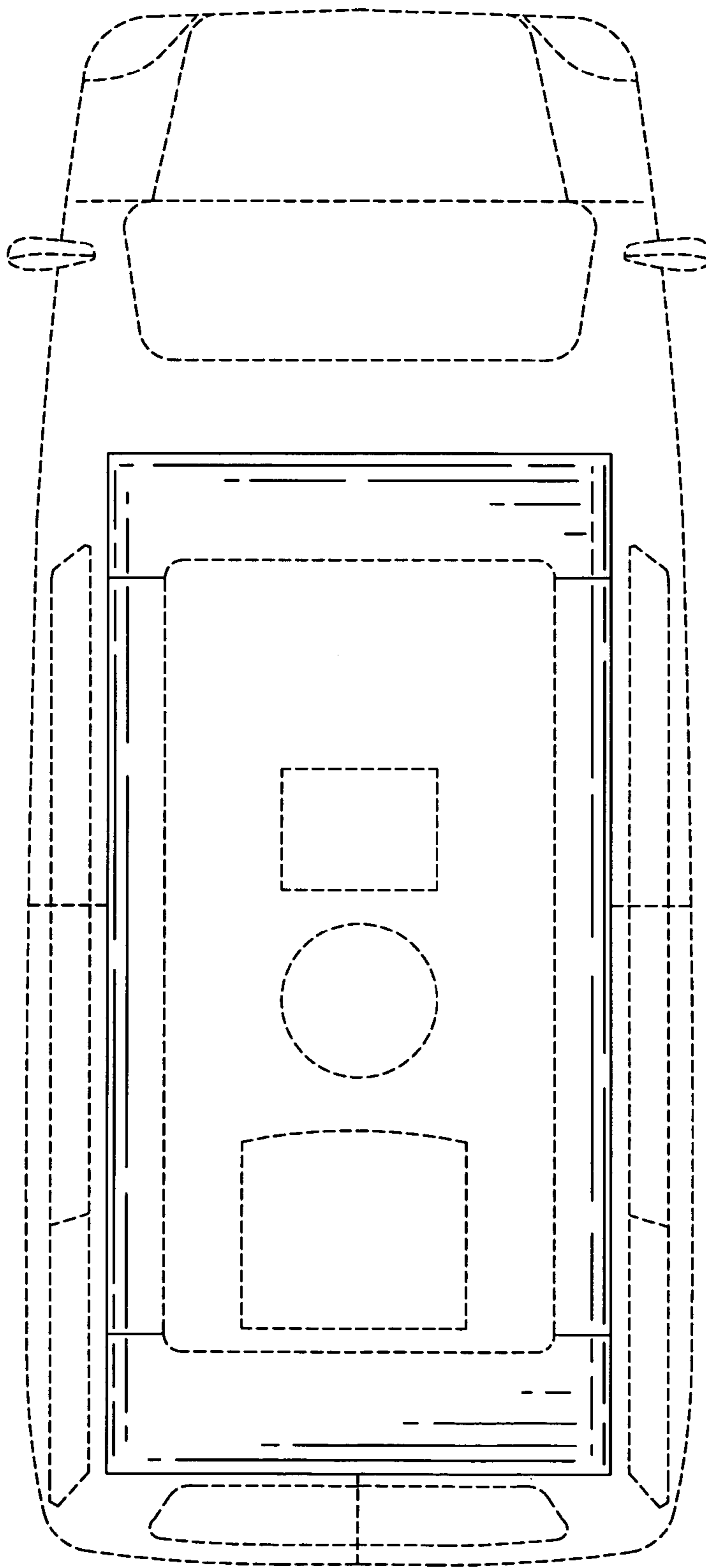
*Fig. A*



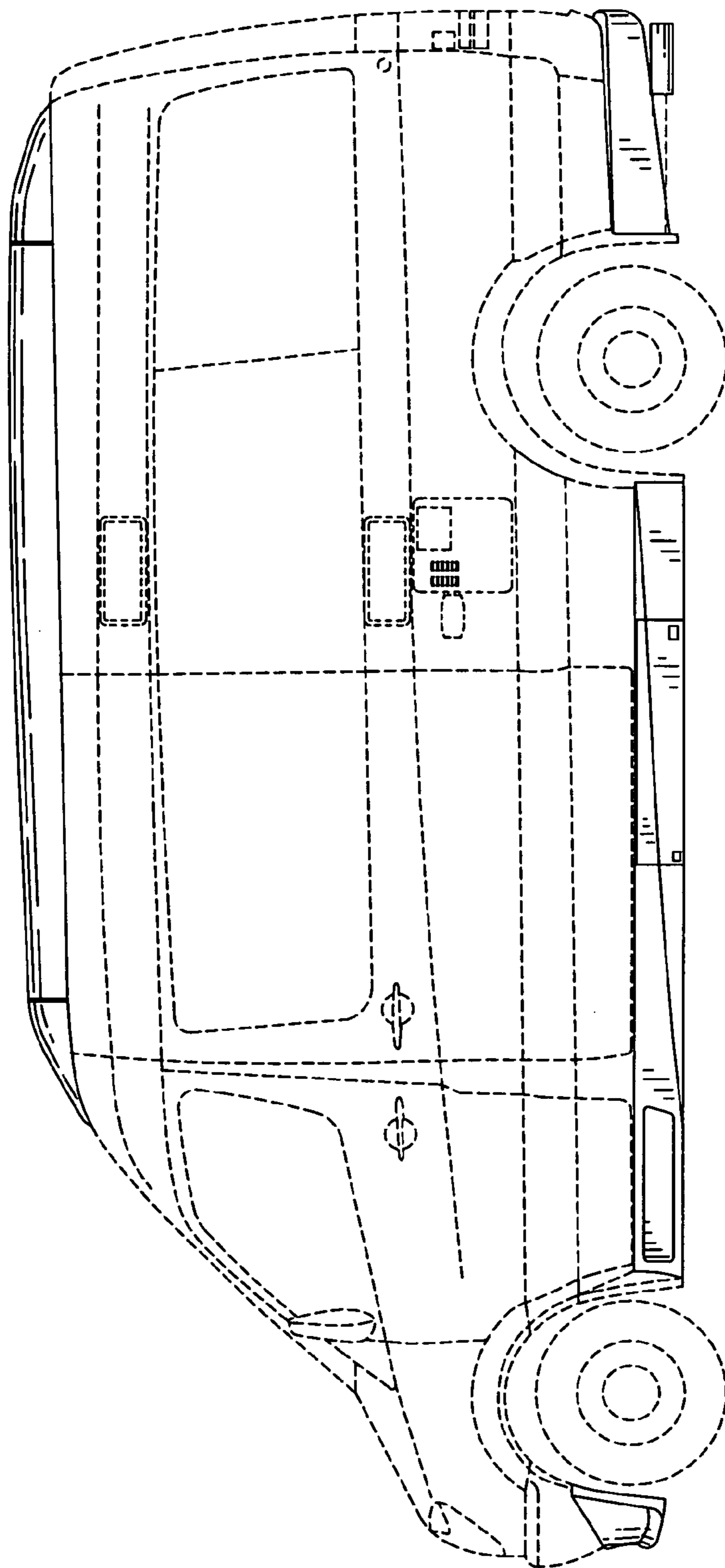
*Fig. 5*



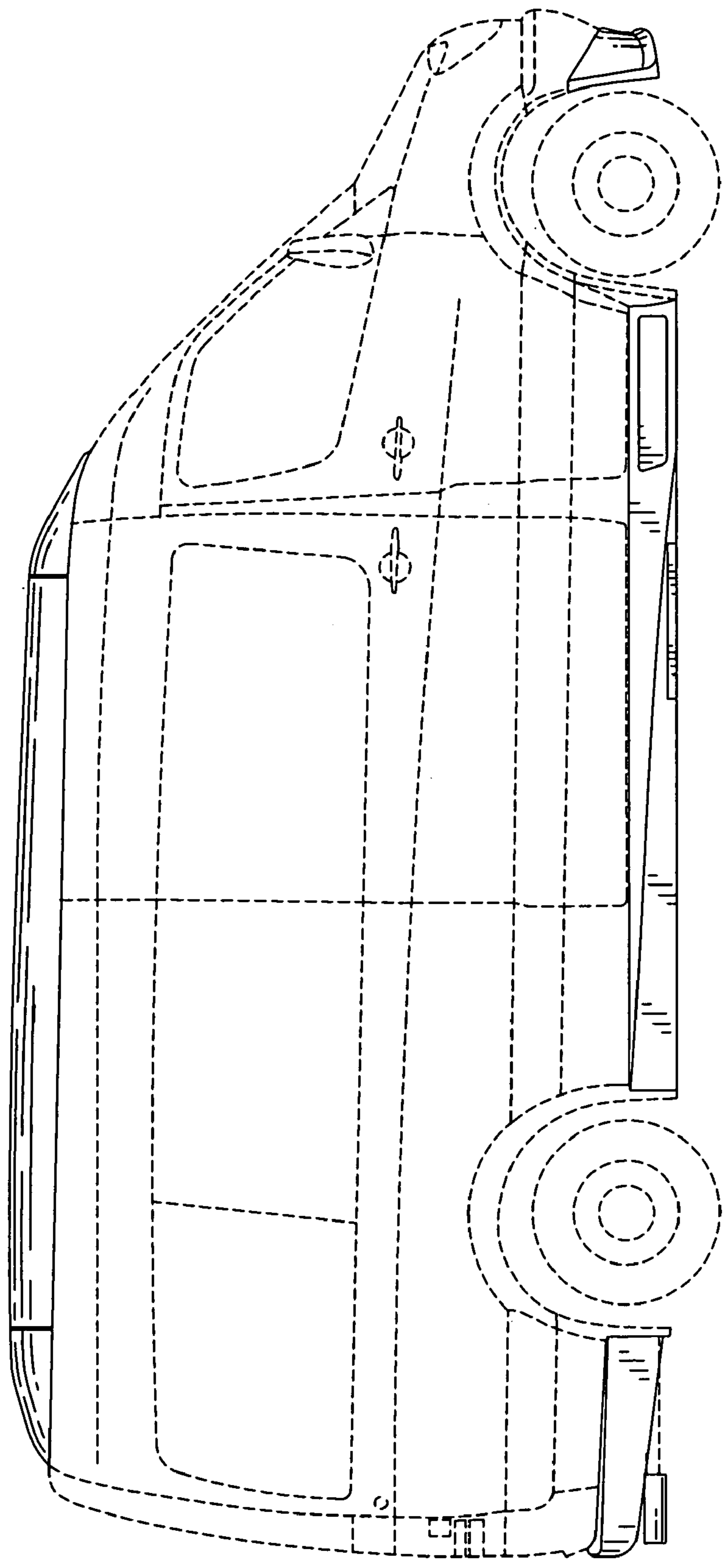
*Fig. 6*



*Fig. 7*

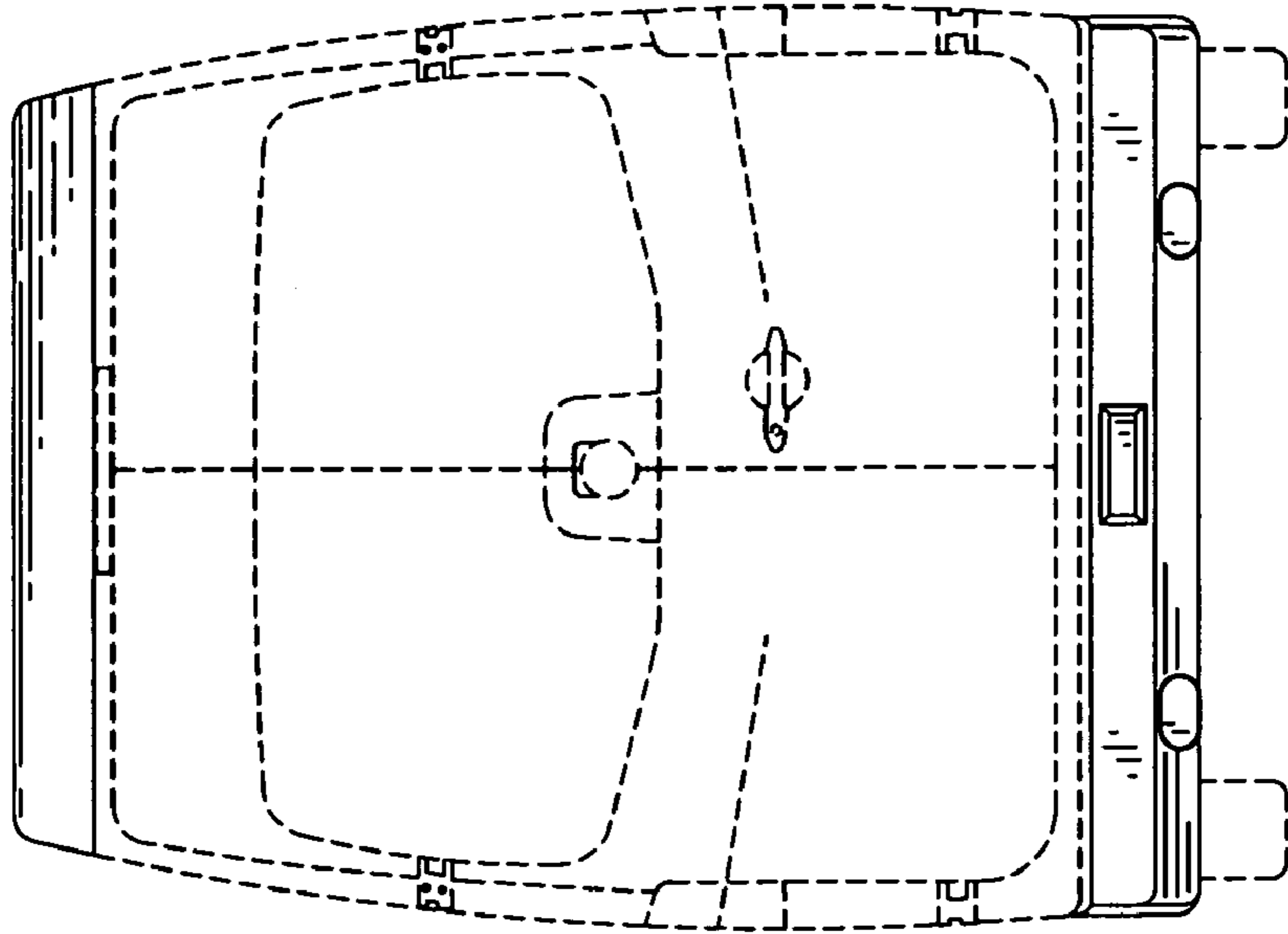


*Fig. 8*

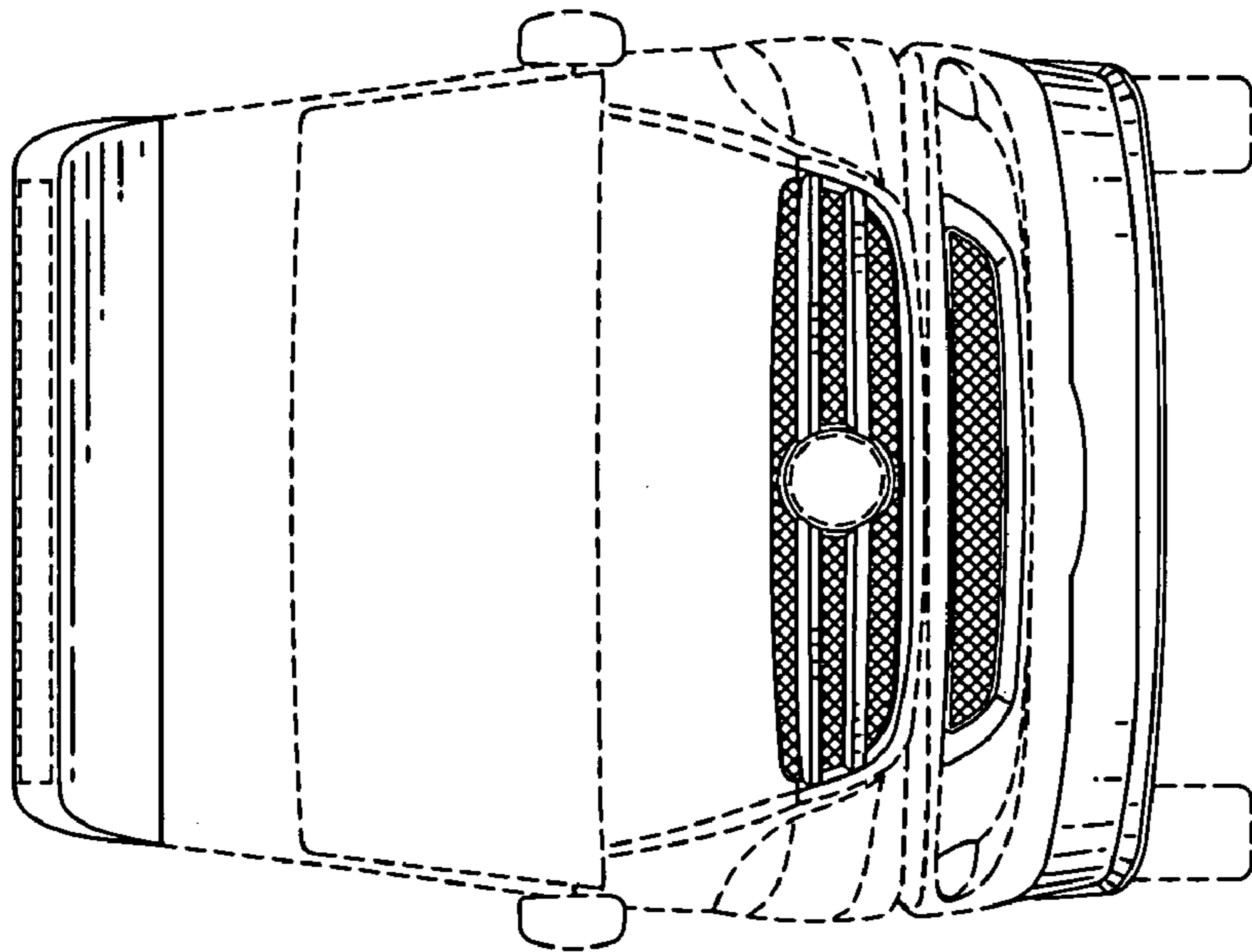


*Fig. 9*

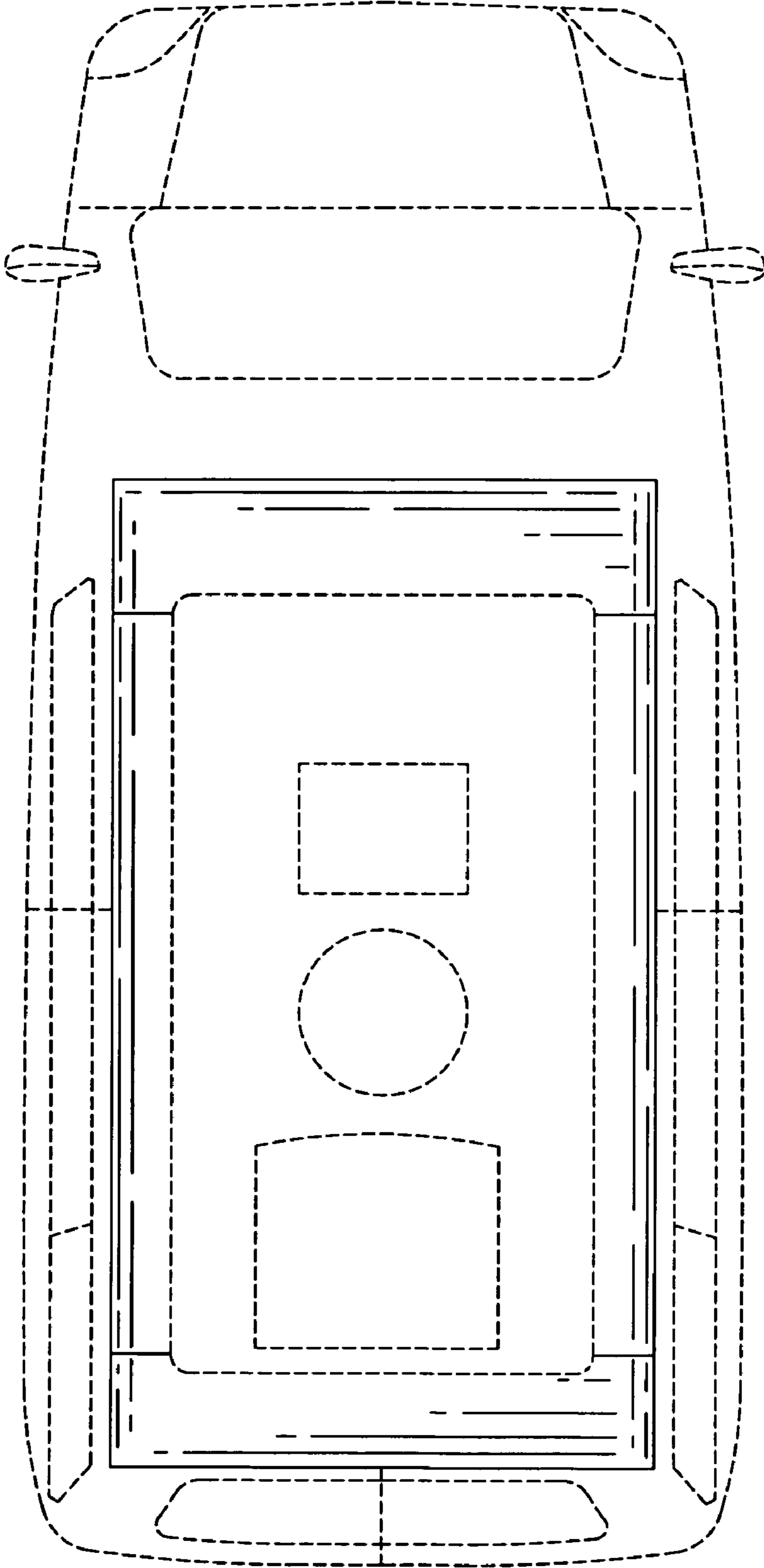




*Fig. 11*



*Fig. 10*



*Fig. 12*