



US00D603752S

(12) **United States Design Patent**  
**David**

(10) **Patent No.:** **US D603,752 S**  
(45) **Date of Patent:** **\*\* Nov. 10, 2009**

(54) **SEATBELT ADAPTOR**

(76) **Inventor:** **Yair David**, 6 Ankor St., Ramat Hasharon (IL) 47229

(\*\*) **Term:** **14 Years**

(21) **Appl. No.:** **29/320,826**

(22) **Filed:** **Jul. 4, 2008**

**Related U.S. Application Data**

(63) Continuation-in-part of application No. 29/282,844, filed on Jul. 31, 2007, now Pat. No. Des. 575,669.

(51) **LOC (9) Cl.** ..... **02-07**

(52) **U.S. Cl.** ..... **D11/216; D11/200**

(58) **Field of Classification Search** ..... D11/1-2, D11/200-201, 203-206, 210, 212, 214-219, D11/222, 224, 226; 24/163 R, 169-171, 24/173, 177-179, 191, 194-195, 197, 200  
See application file for complete search history.

(56) **References Cited**

**U.S. PATENT DOCUMENTS**

2,876,516	A *	3/1959	Cummings	.....	24/638
D213,087	S *	1/1969	Klink	.....	D11/216
D302,140	S *	7/1989	Johnston	.....	D11/216
5,121,527	A	6/1992	Righi		
D333,640	S *	3/1993	Keller	.....	D11/218
5,381,590	A	1/1995	Liou et al.		
5,742,986	A *	4/1998	Corrion et al.	.....	24/633
D407,667	S *	4/1999	Homeier	.....	D11/216

6,520,392	B2	2/2003	Thibodeau et al.		
6,769,157	B1 *	8/2004	Meal	.....	24/633
7,383,620	B2 *	6/2008	Smith	.....	24/633
D575,669	S *	8/2008	David et al.	.....	D11/200
2006/0267394	A1	11/2006	David et al.		
2007/0075580	A1	4/2007	David et al.		

**FOREIGN PATENT DOCUMENTS**

WO WO/2006/129297 12/2006

\* cited by examiner

*Primary Examiner*—R. Seifert

(57) **CLAIM**

The ornamental design for a seatbelt adaptor, as shown and described.

**DESCRIPTION**

FIG. 1 is a top view of an embodiment of a seatbelt adaptor in accordance with the present invention;

FIG. 2 is a left side view of the embodiment thereof;

FIG. 3 is a bottom view of the embodiment thereof;

FIG. 4 is a right side view of the embodiment thereof;

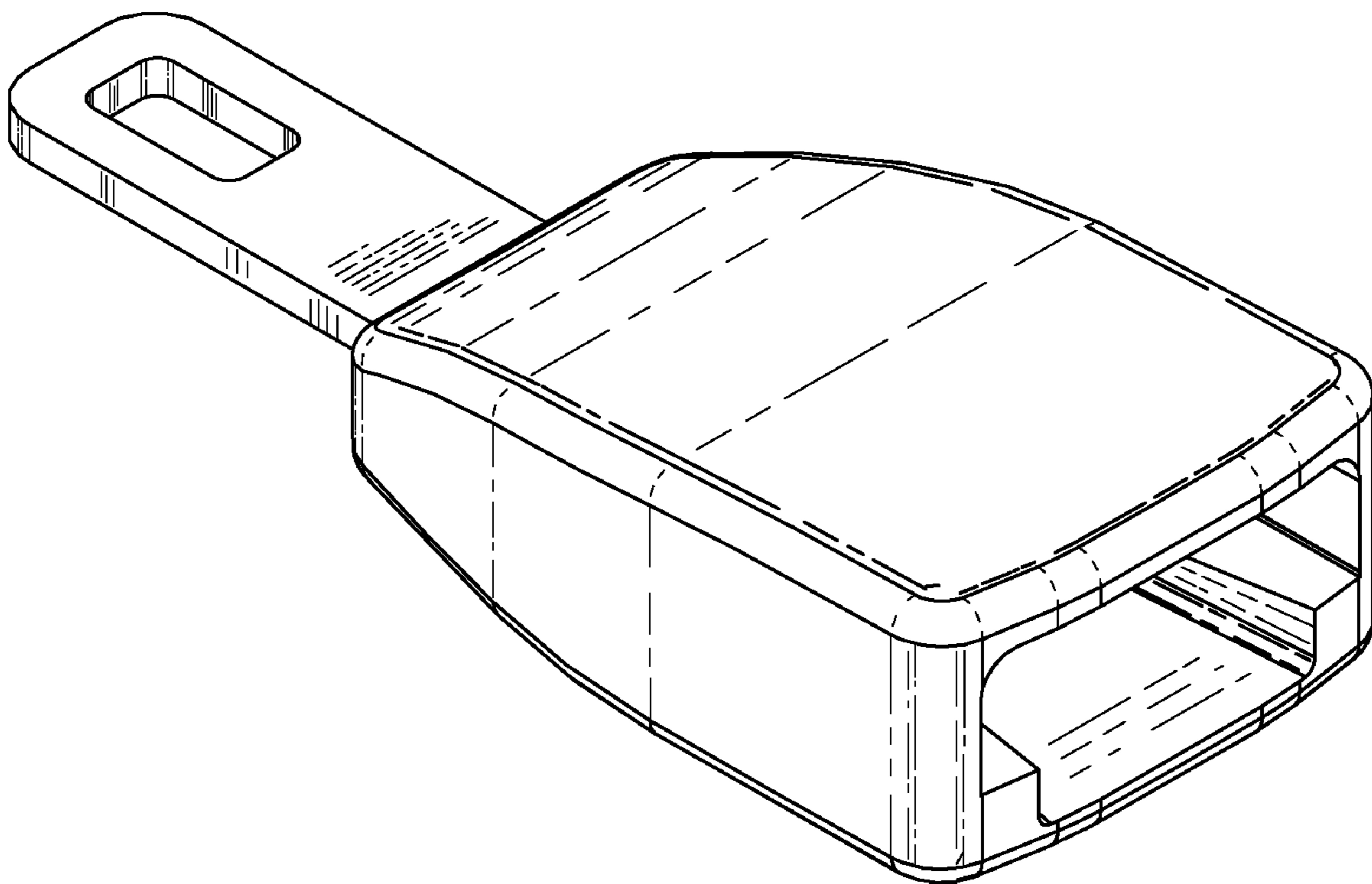
FIG. 5 is a front view of the embodiment thereof;

FIG. 6 is a rear view of the embodiment thereof;

FIG. 7 is an upper rear left isometric view of the embodiment thereof; and,

FIG. 8 is an upper front right isometric view of the embodiment thereof.

**1 Claim, 3 Drawing Sheets**



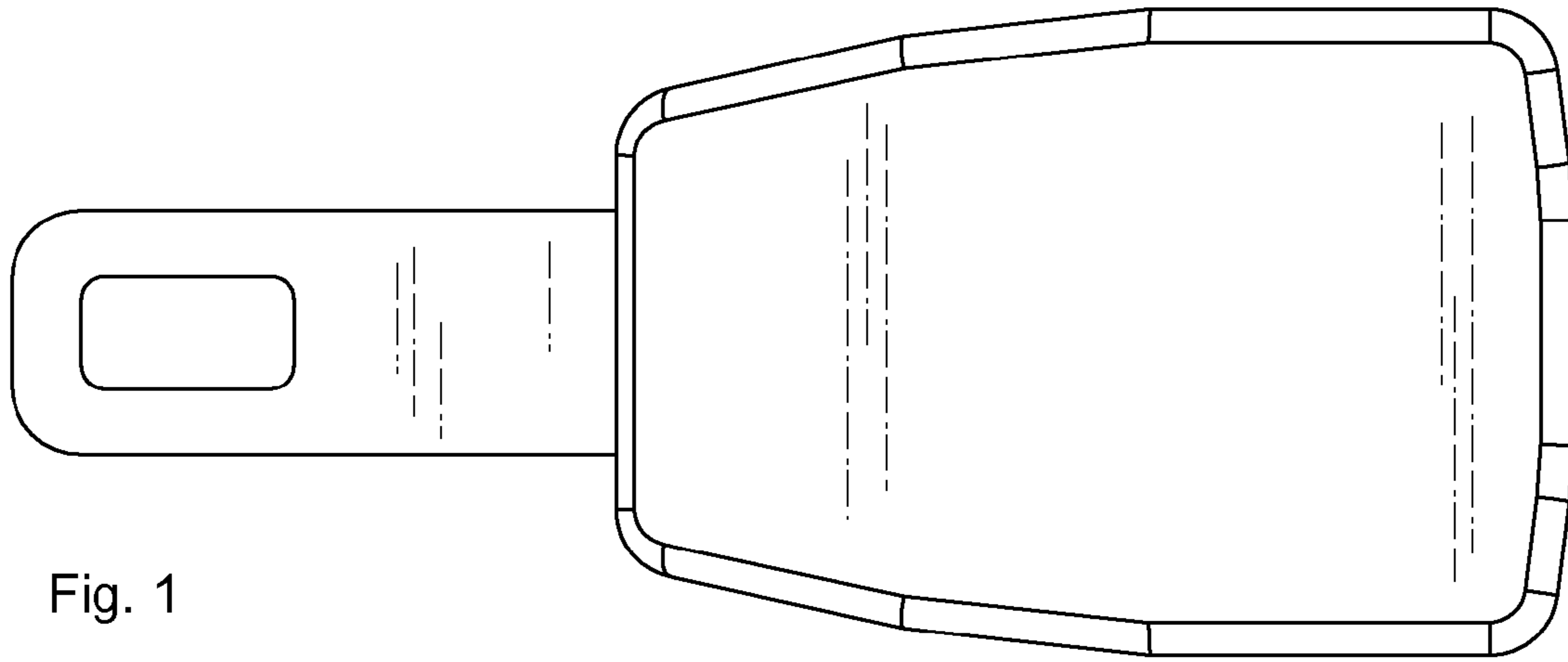


Fig. 1

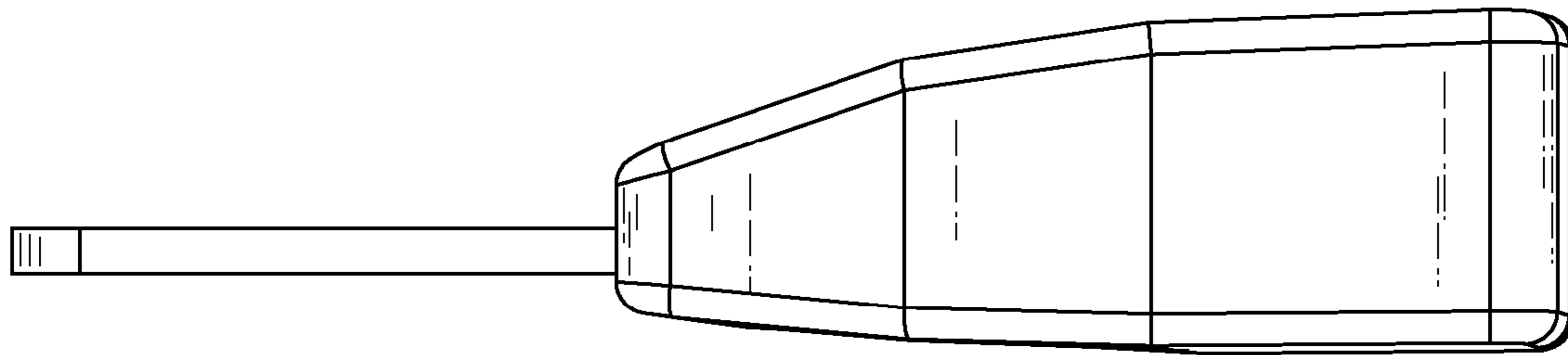


Fig. 2

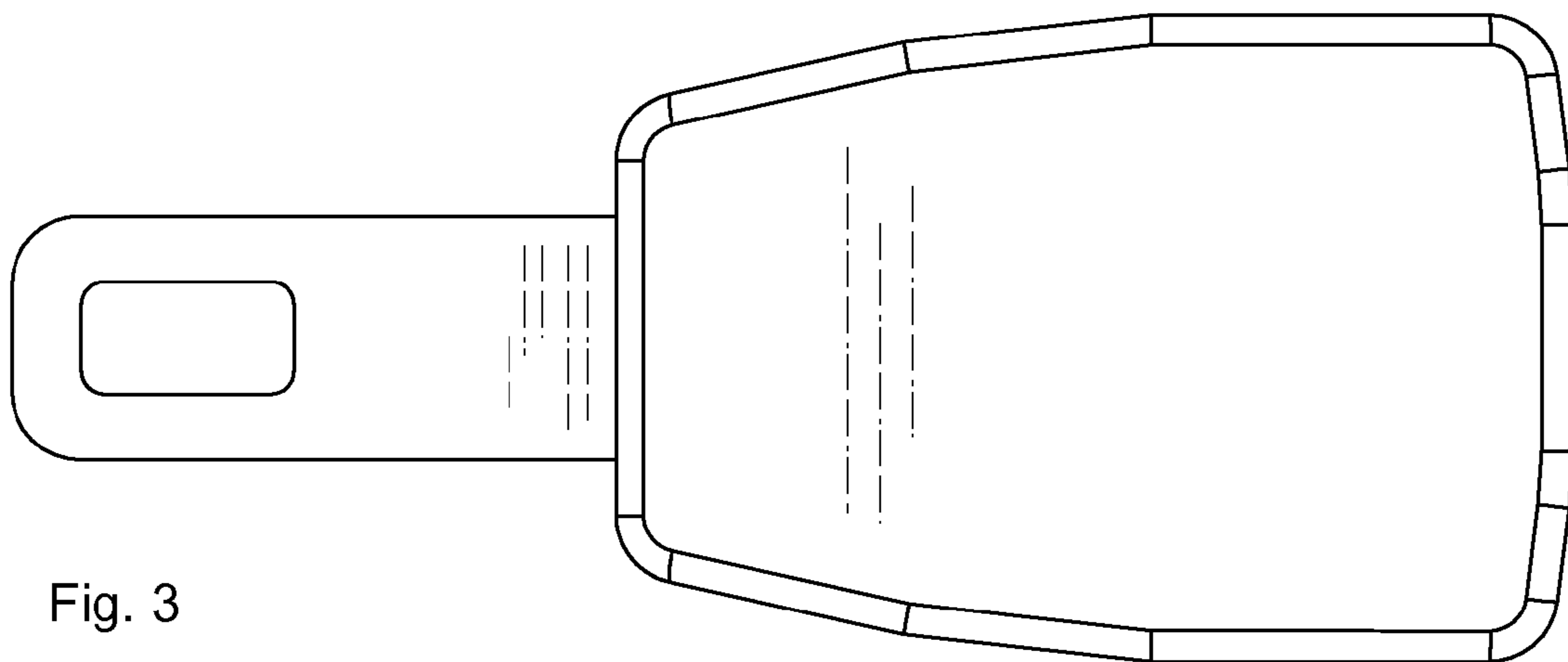


Fig. 3

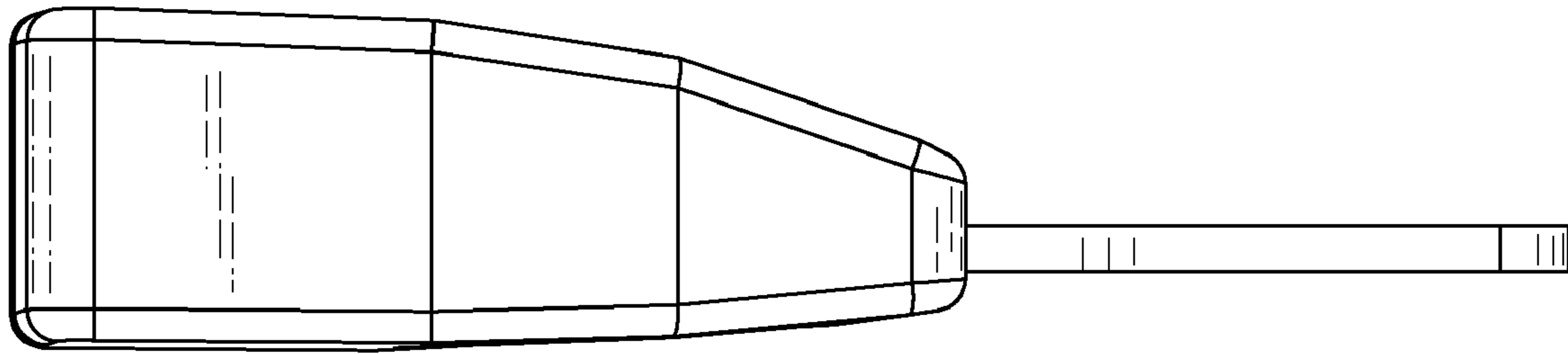


Fig. 4

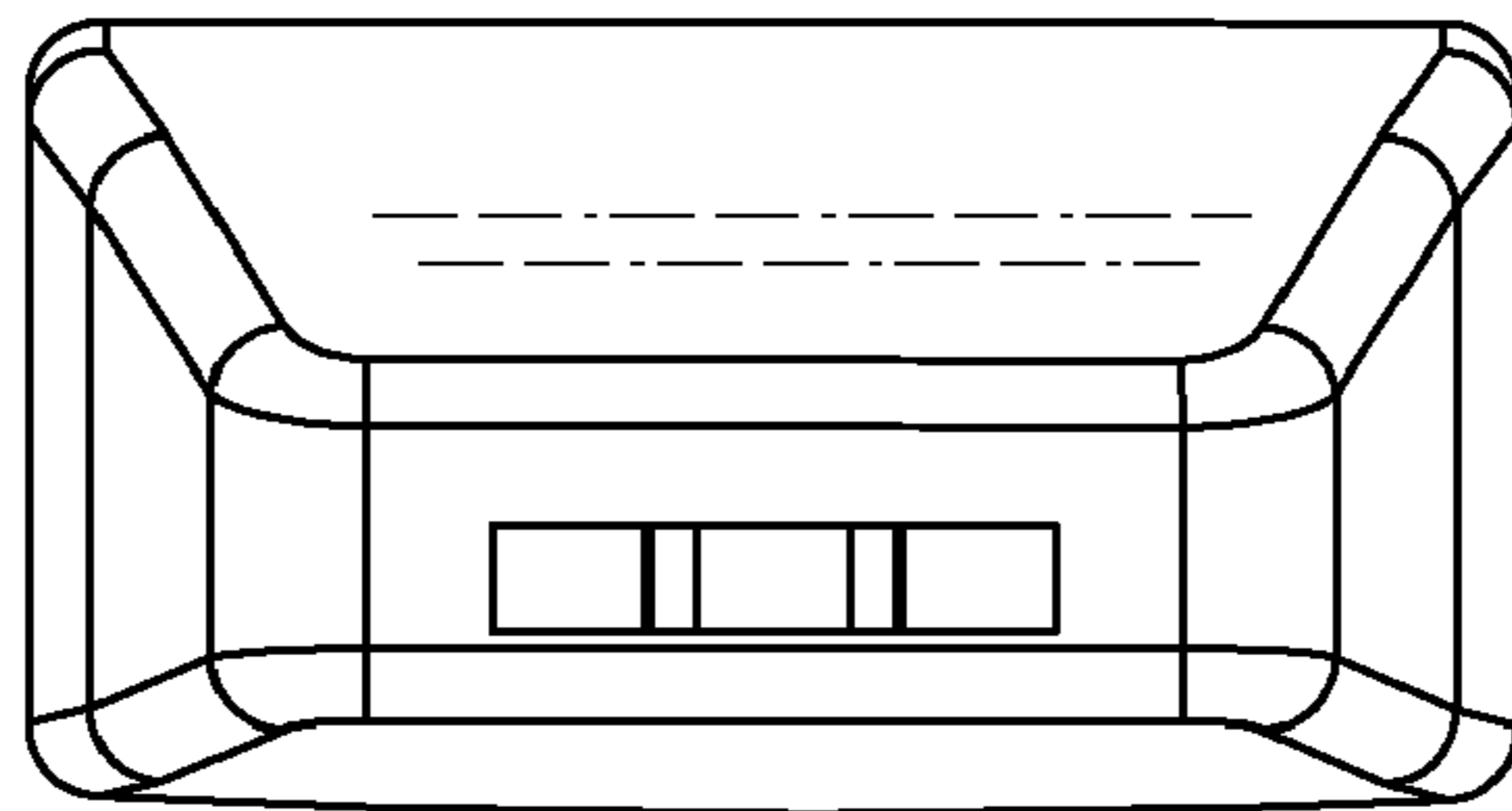


Fig. 5

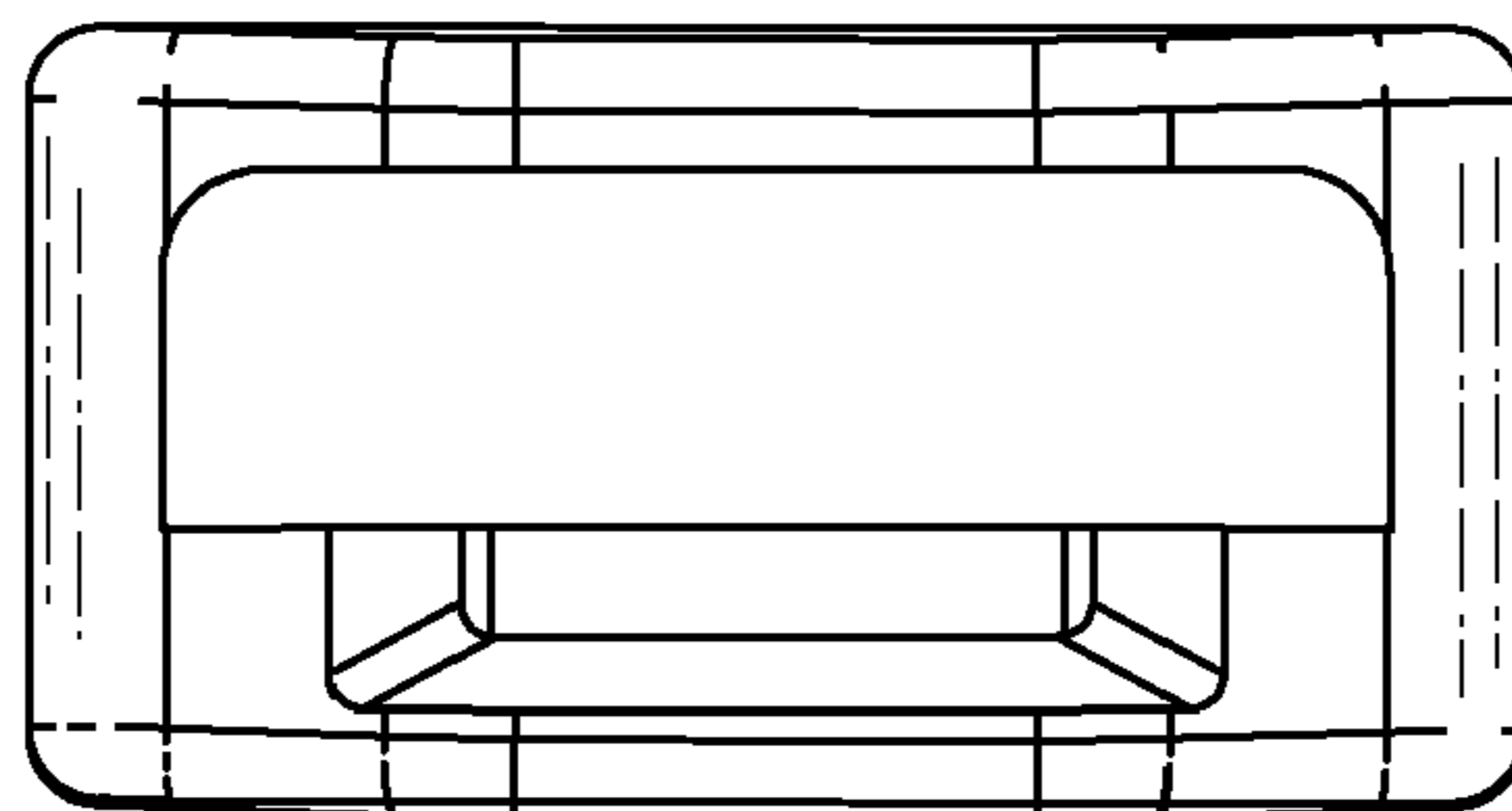


Fig. 6

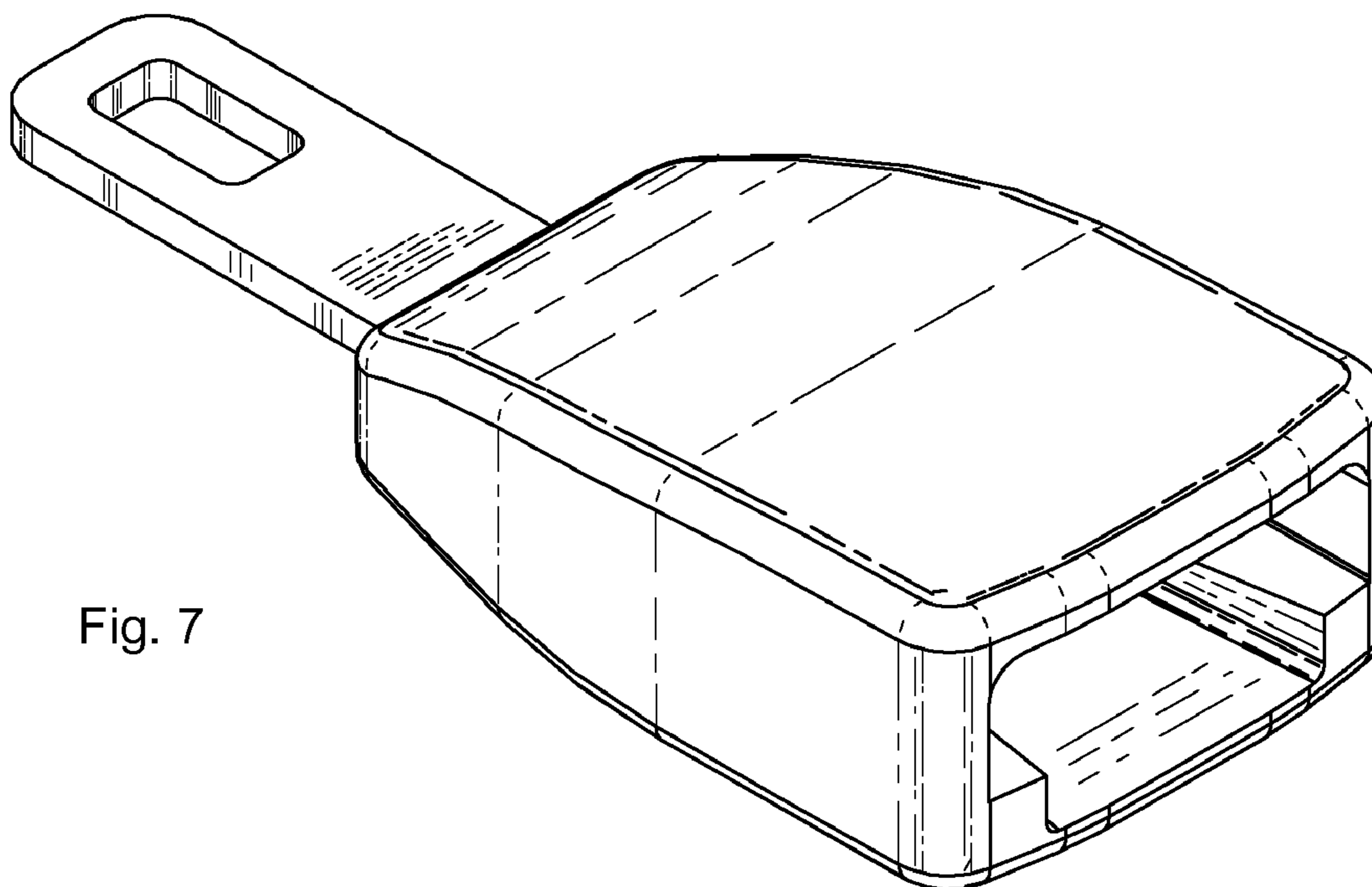


Fig. 7

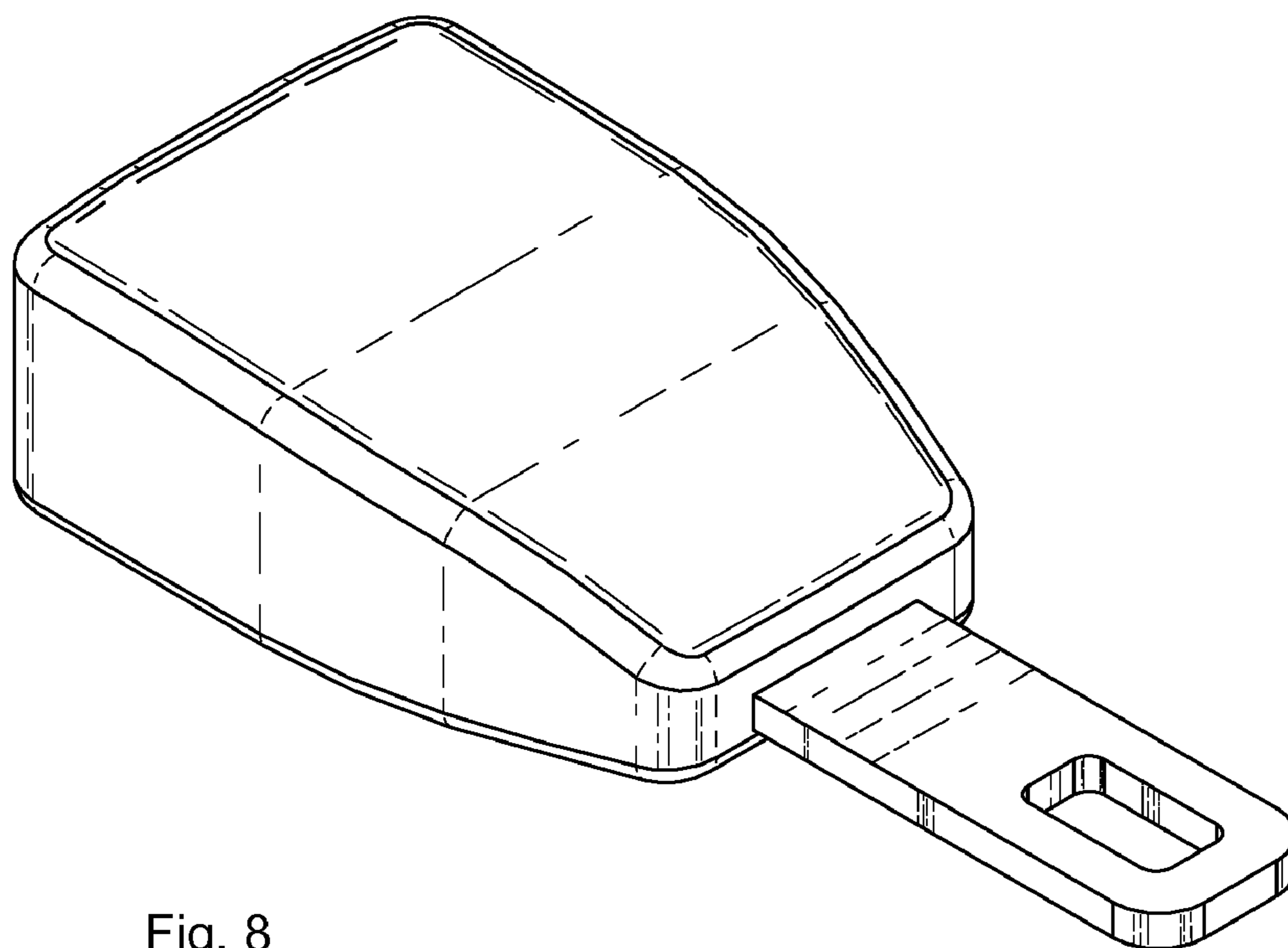


Fig. 8