



US00D603751S

(12) **United States Design Patent**  
**Murray et al.**

(10) **Patent No.:** **US D603,751 S**

(45) **Date of Patent:** **\*\* Nov. 10, 2009**

(54) **CLIP FOR ORNAMENTATION OF ITEM**

(75) Inventors: **Terri Annette Murray**, Canton, MI (US); **Jennifer Wimsatt Mazur**, Canton, MI (US)

(73) Assignee: **Maisy and Mary, LLC**, Canton, MI (US)

(\*\*) Term: **14 Years**

(21) Appl. No.: **29/317,922**

(22) Filed: **May 9, 2008**

(51) **LOC (9) Cl.** ..... **02-07**

(52) **U.S. Cl.** ..... **D11/200**

(58) **Field of Classification Search** ..... D11/1-2, D11/200-201, 203-206, 210, 212, 214-219, D11/222, 224, 226; 24/163 R, 169-171, 24/173, 177-179, 191, 194-195, 197, 200, 24/712.2; 36/136; 2/69; D2/967

See application file for complete search history.

(56) **References Cited**

**U.S. PATENT DOCUMENTS**

D30,652 S \* 5/1899 Pardee et al. .... D11/210  
D35,680 S \* 2/1902 De Moss ..... D15/145  
D39,201 S \* 3/1908 Bray ..... D11/210

D41,123 S \* 1/1911 Bartel ..... D11/210  
D52,544 S \* 10/1918 Rau ..... D11/210  
4,553,293 A \* 11/1985 Blum ..... 24/712.2  
6,640,467 B1 \* 11/2003 Krull ..... 36/136  
D516,952 S \* 3/2006 Kingsford et al. .... D11/200

\* cited by examiner

*Primary Examiner*—R. Seifert

(74) *Attorney, Agent, or Firm*—Reising Ethington P.C.

(57) **CLAIM**

The ornamental design for a clip for ornamentation of item, as shown and described.

**DESCRIPTION**

FIG. 1 is a perspective view of a clip secured to a shoelace of a wearable item, shown in phantom, with an ornament, shown in phantom, about to be secured to the clip to provide ornamentation to the item;

FIG. 2 is a perspective view of one embodiment of the clip;

FIG. 3 is a top view of the clip shown in FIG. 2;

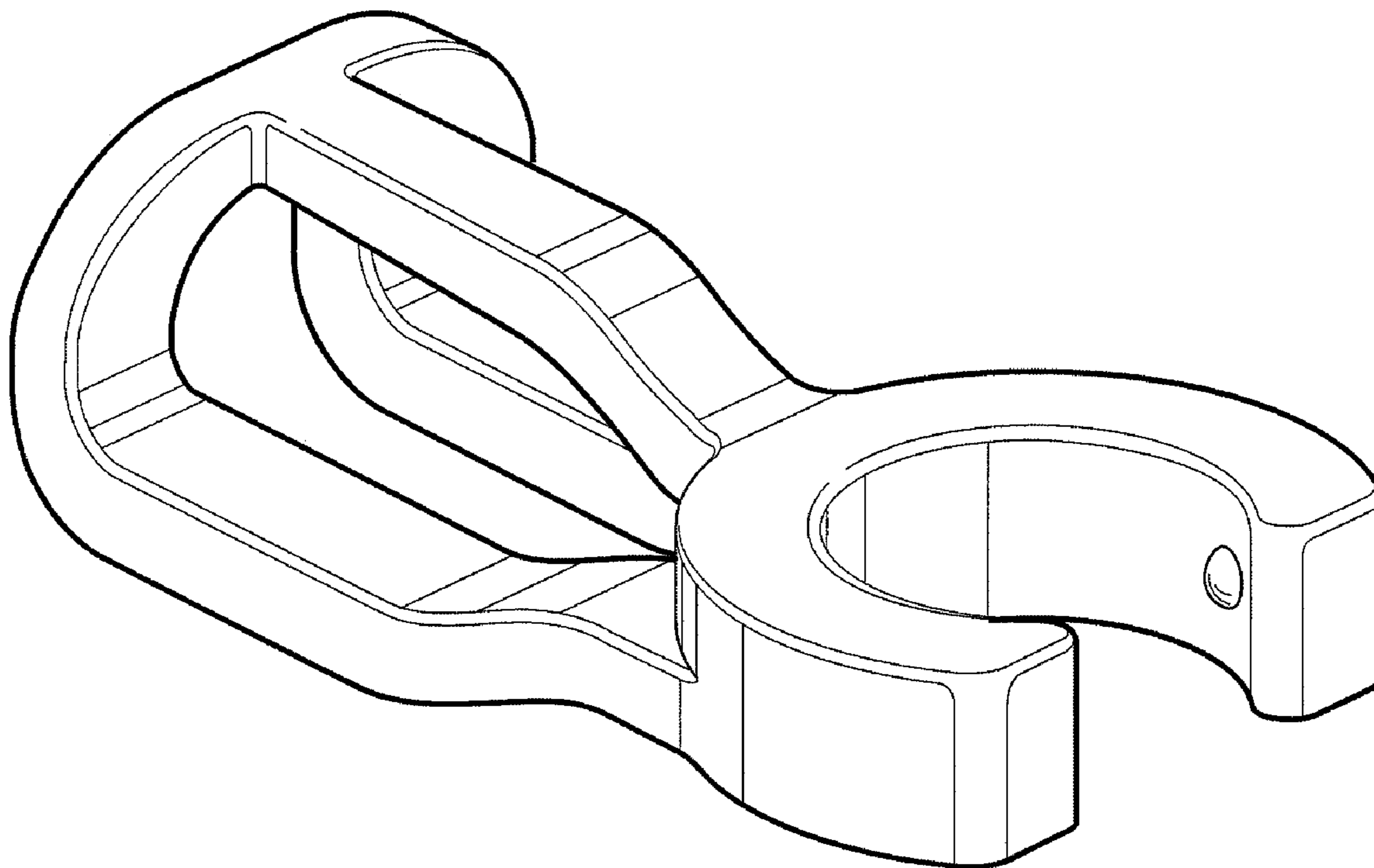
FIG. 4 is a side view of the clip shown in FIG. 2;

FIG. 5 is a bottom view of the clip shown in FIG. 2;

FIG. 6 is back view of the clip shown in FIG. 2; and,

FIG. 7 is a front view of the clip shown in FIG. 2.

**1 Claim, 3 Drawing Sheets**



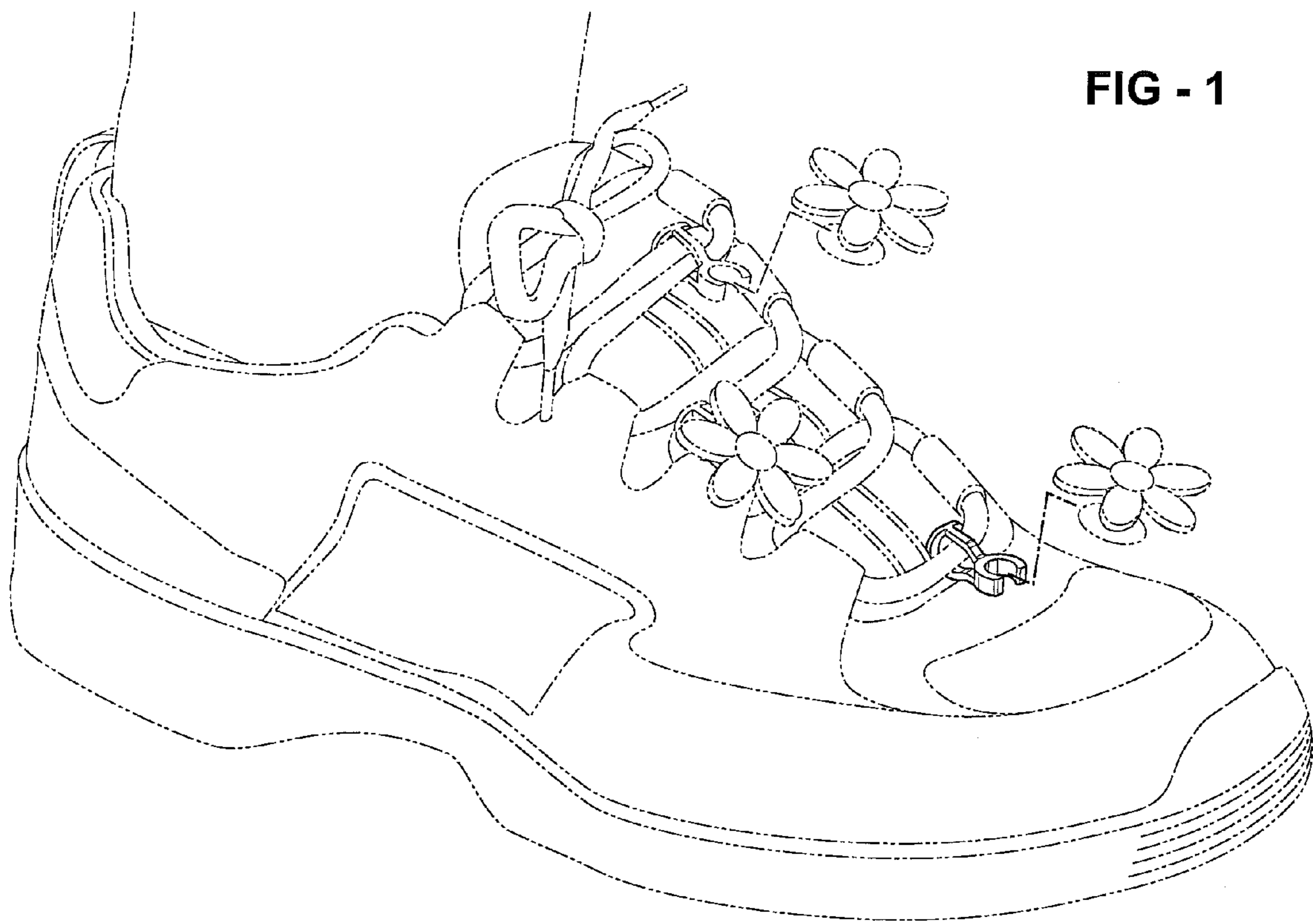
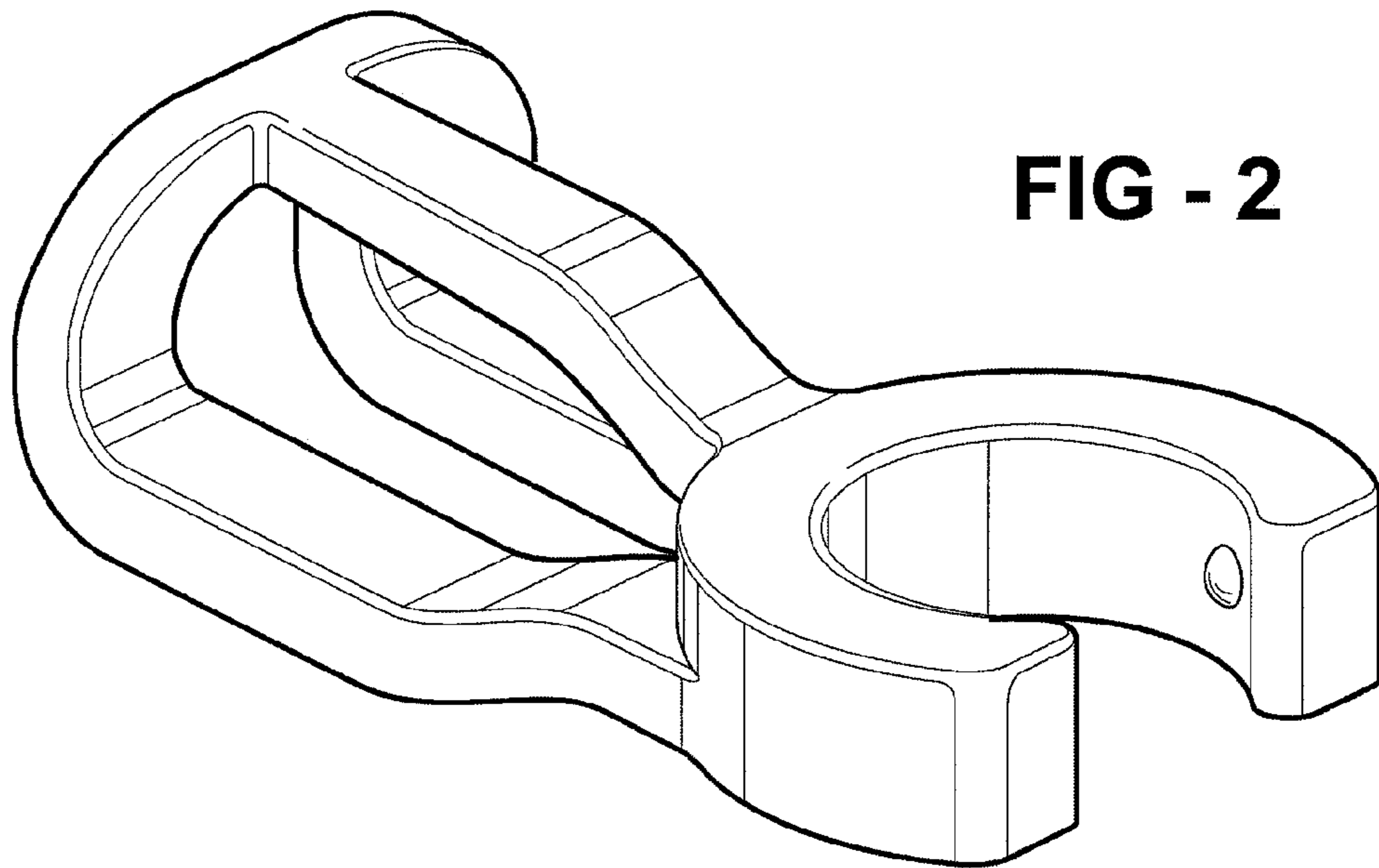
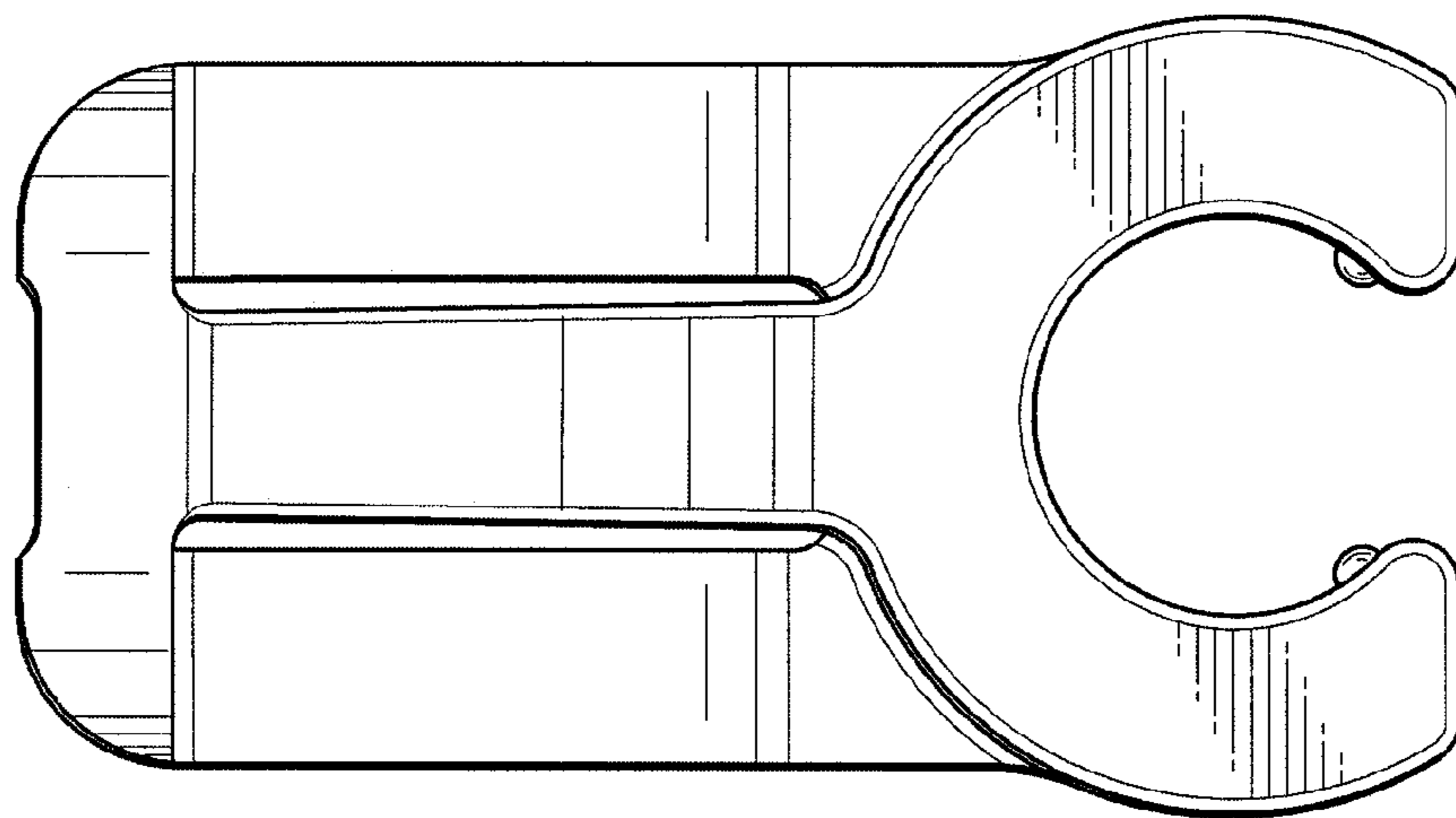


FIG - 1

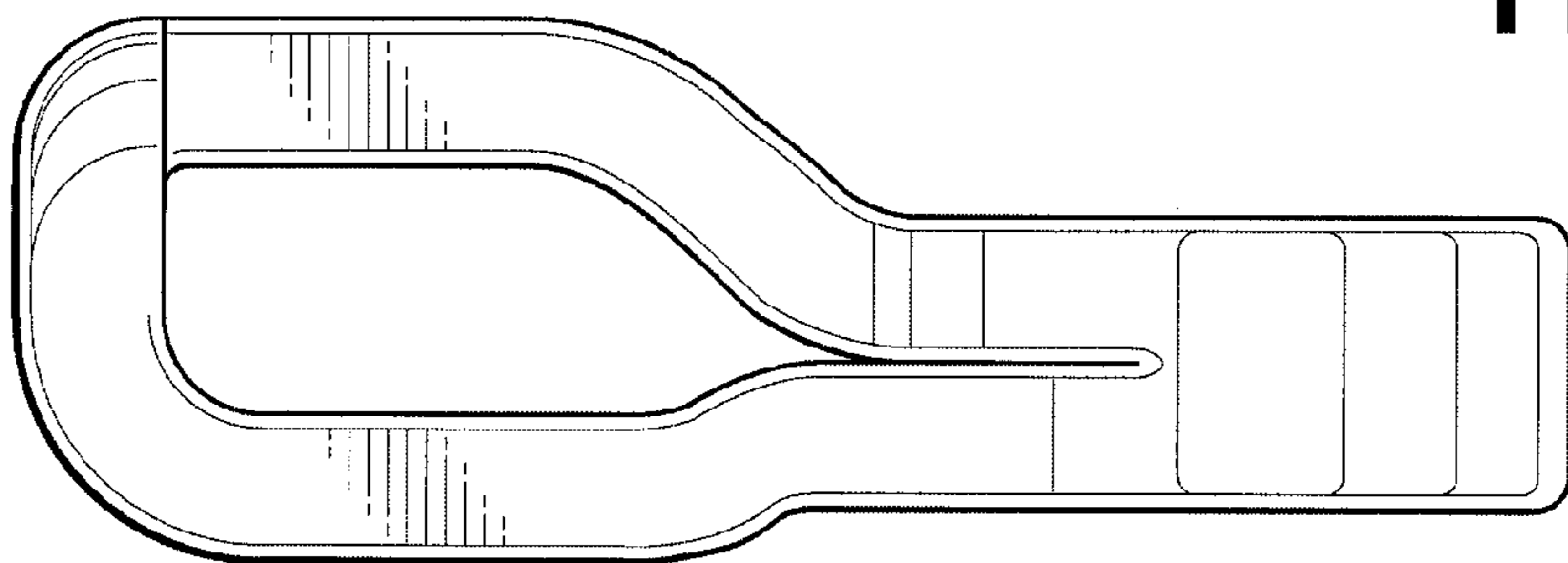


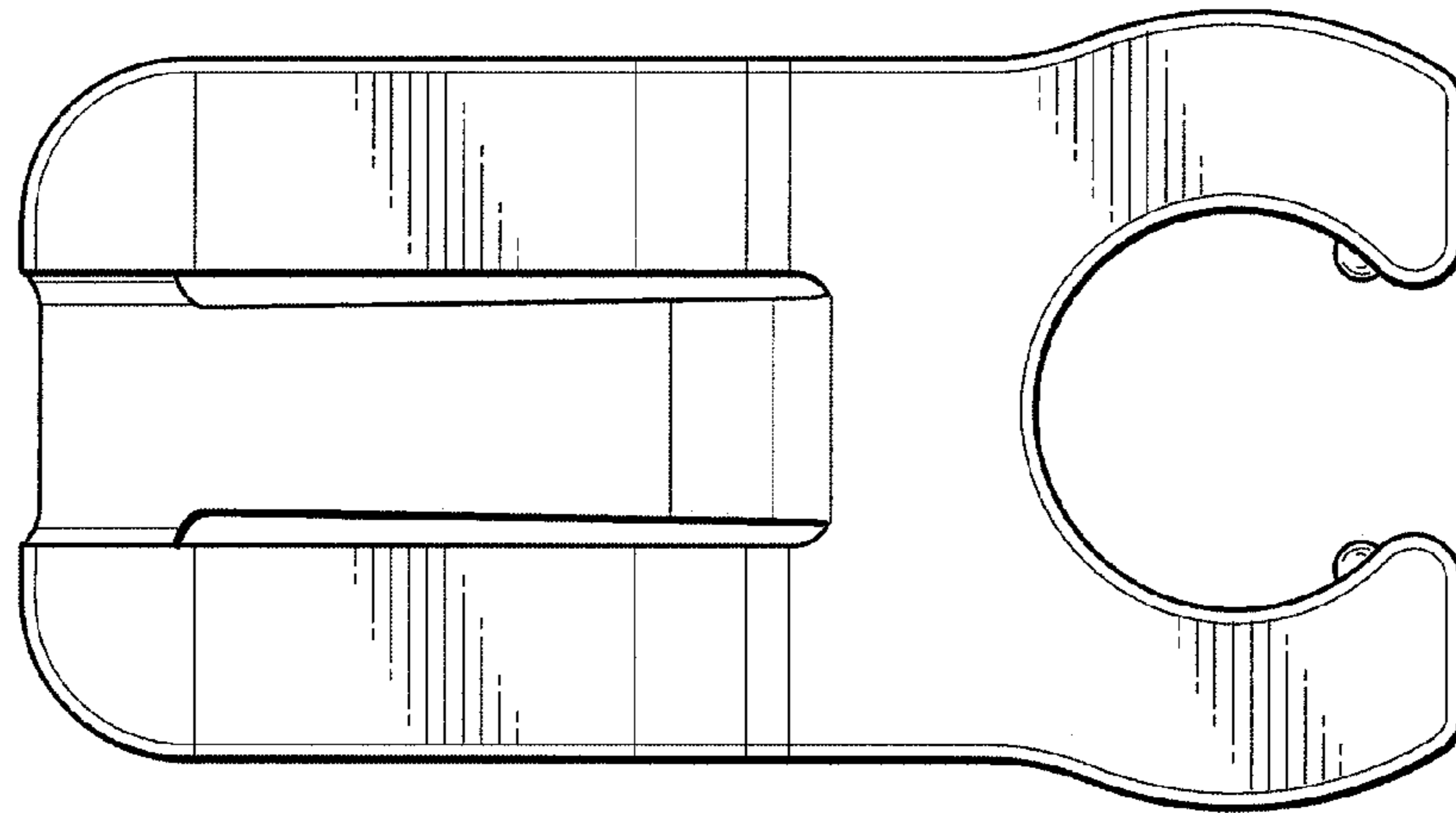
**FIG - 2**

**FIG - 3**

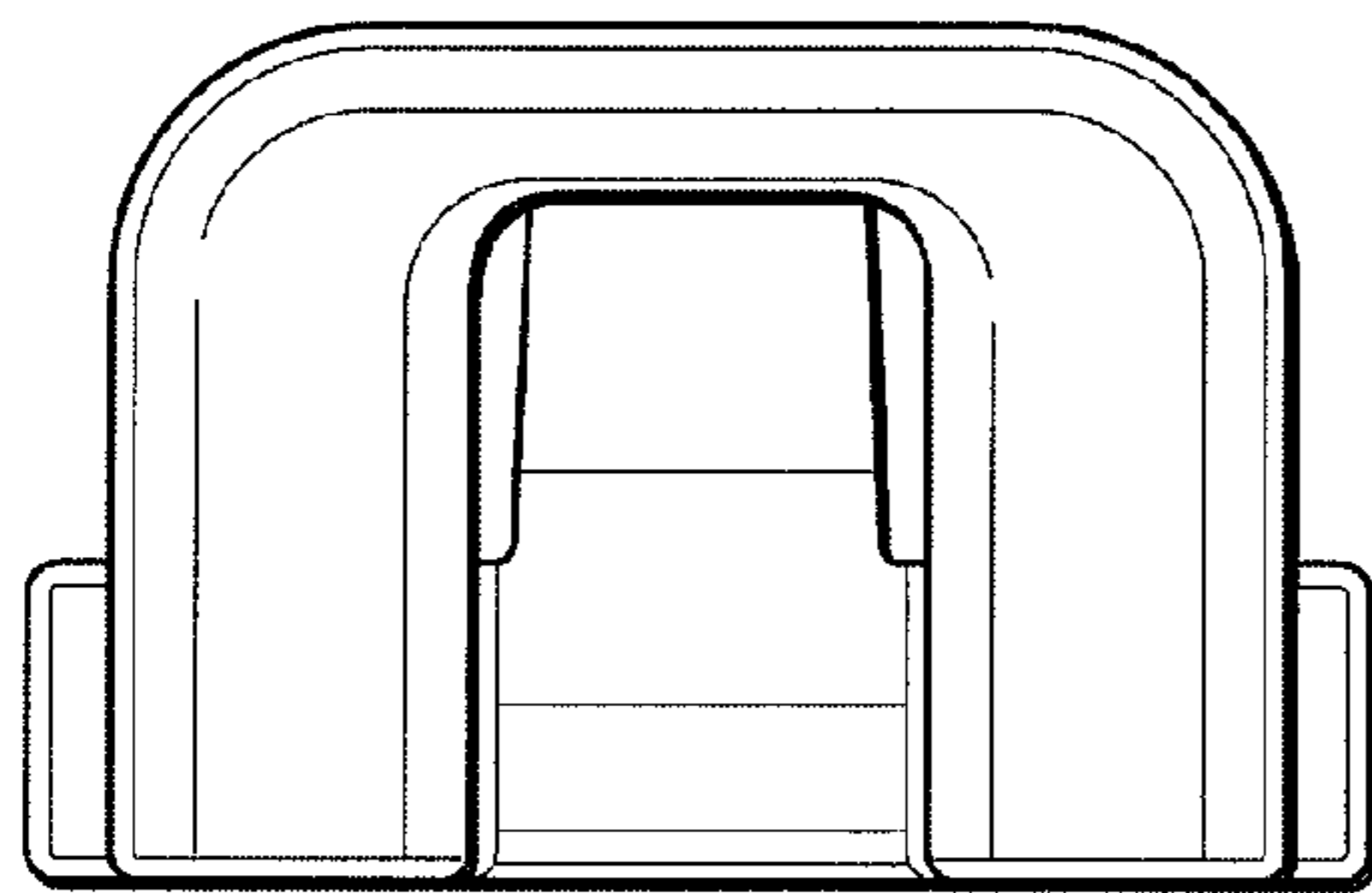


**FIG - 4**

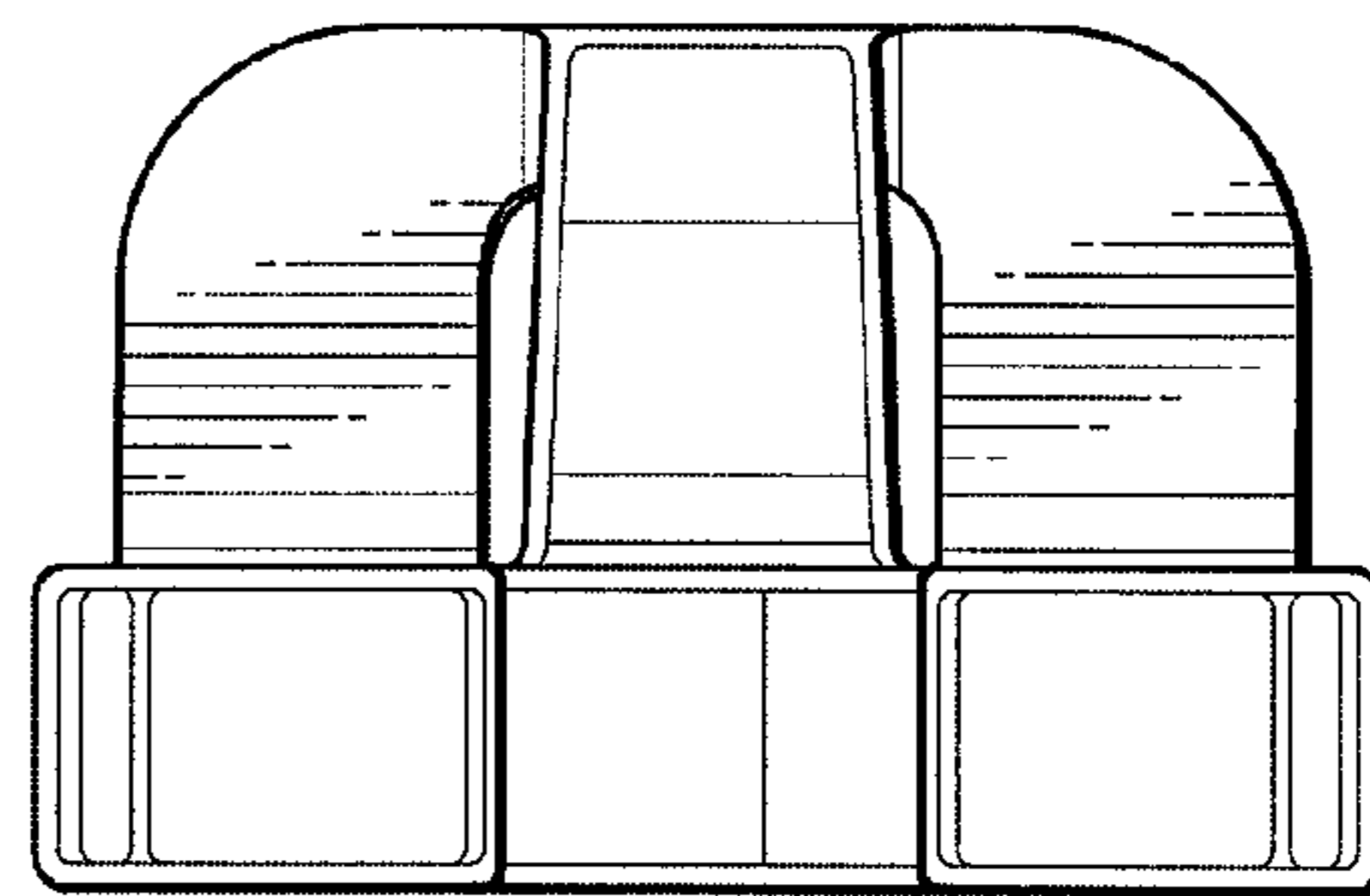




**FIG - 5**



**FIG - 6**



**FIG - 7**