



US00D603740S

(12) **United States Design Patent**
Lyons

(10) **Patent No.:** **US D603,740 S**

(45) **Date of Patent:** **** Nov. 10, 2009**

(54) **LIGHTBAR MODULES**

DESCRIPTION

(75) Inventor: **Jon H. Lyons**, Haddam, CT (US)

(73) Assignee: **Whelen Engineering Company, Inc.**,
Chester, CT (US)

(**) Term: **14 Years**

(21) Appl. No.: **29/314,325**

(22) Filed: **Mar. 23, 2009**

Related U.S. Application Data

(62) Division of application No. 29/308,125, filed on May 29, 2008, now Pat. No. Des. 593,428.

(51) **LOC (9) Cl.** **10-05**

(52) **U.S. Cl.** **D10/114**

(58) **Field of Classification Search** D10/114;
D26/28, 31; 362/493, 545, 35, 542, 480,
362/540; 340/468, 404.1, 474, 480; 379/37
See application file for complete search history.

(56) **References Cited**

U.S. PATENT DOCUMENTS

D345,316 S *	3/1994	Green et al.	D10/114
D469,711 S *	2/2003	Neufeglise et al.	D10/114
D476,253 S *	6/2003	Stein et al.	D10/114
D499,976 S *	12/2004	Richardson et al.	D10/114
2008/0080164 A1 *	4/2008	Mastin	362/35

* cited by examiner

Primary Examiner—Joel Sincavage

Assistant Examiner—George D Kirschbaum

(74) *Attorney, Agent, or Firm*—Alix, Yale & Ristas, LLP

(57) **CLAIM**

The ornamental design for the lightbar module, as shown and described.

FIG. 1 is a perspective view, partially illustrated in broken lines, of an embodiment of a lightbar module showing my new design;

FIG. 2 is a front view, partially illustrated in broken lines, of the lightbar module of FIG. 1;

FIG. 3 is a rear view, partially illustrated in broken lines, of the lightbar module of FIG. 1;

FIG. 4 is a left side view, partially illustrated in broken lines, of the lightbar module of FIG. 1;

FIG. 5 is a right side view, partially illustrated in broken lines, of the lightbar module of FIG. 1;

FIG. 6 is a top plan view, partially illustrated in broken lines, of the lightbar module of FIG. 1;

FIG. 7 is a bottom plan view, partially illustrated in broken lines, of the lightbar module of FIG. 1;

FIG. 8 is a perspective view, partially illustrated in broken lines, of another embodiment of a lightbar module showing my new design;

FIG. 9 is a front view, partially illustrated in broken lines, of the lightbar module of FIG. 8;

FIG. 10 is a rear view, partially illustrated in broken lines, of the lightbar module of FIG. 8;

FIG. 11 is a left side view, partially illustrated in broken lines, of the lightbar module of FIG. 8;

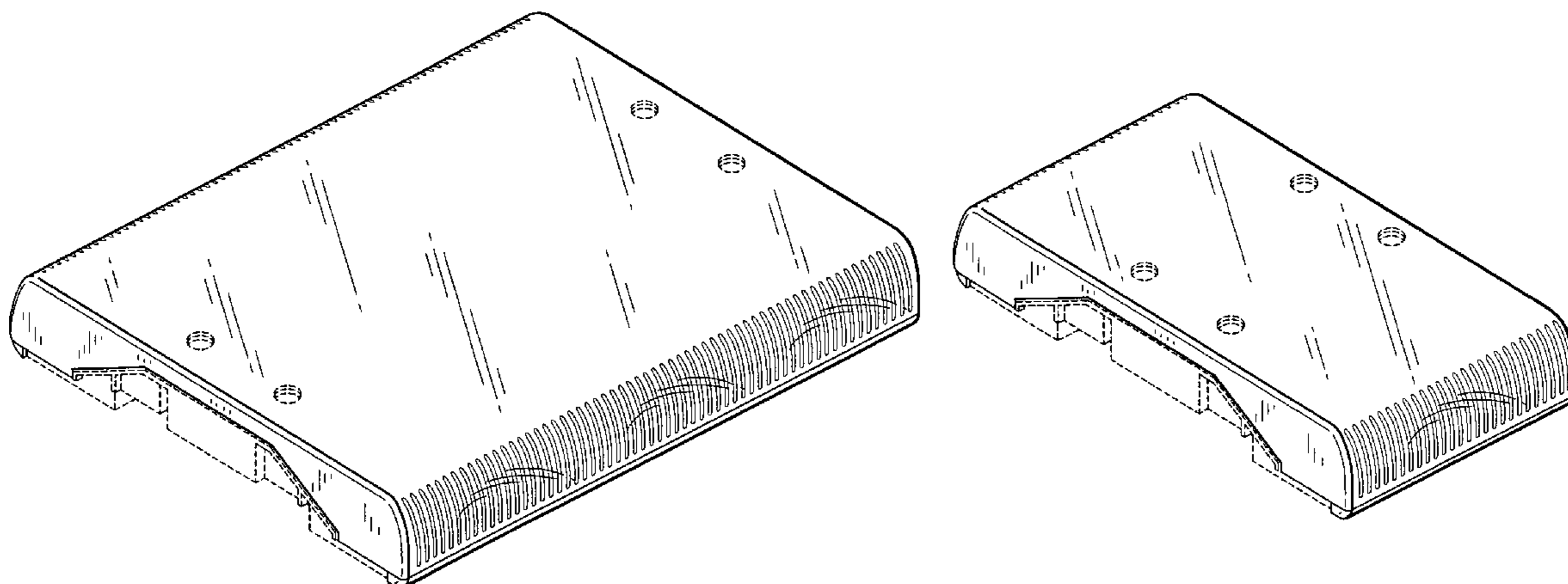
FIG. 12 is a right side view, partially illustrated in broken lines, of the lightbar module of FIG. 8;

FIG. 13 is a top plan view, partially illustrated in broken lines, of the lightbar module of FIG. 8; and,

FIG. 14 is a bottom plan view, partially illustrated in broken lines, of the lightbar module of FIG. 8.

No claim is made to the portions shown in broken lines.

1 Claim, 8 Drawing Sheets



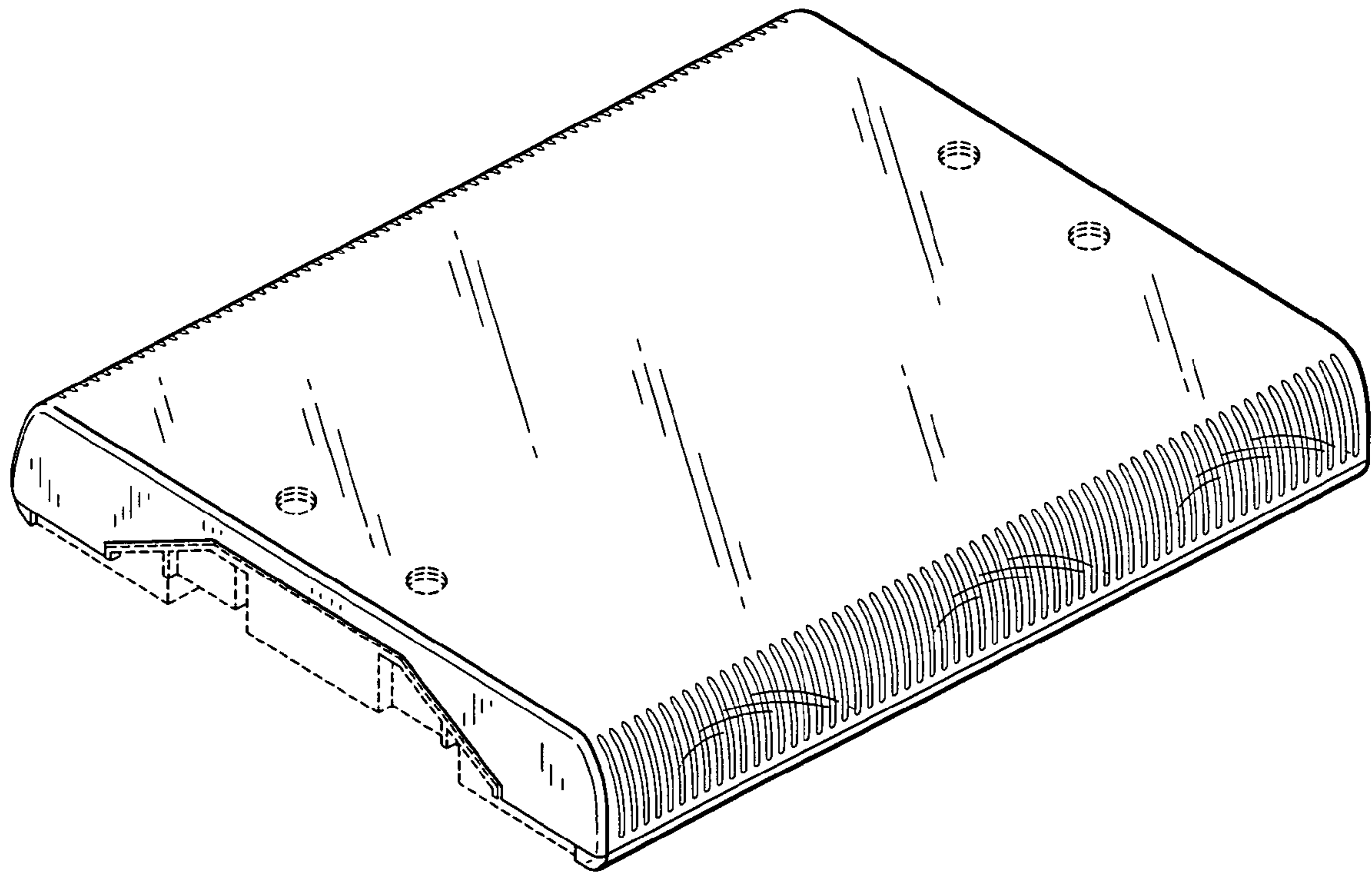


FIG. 1

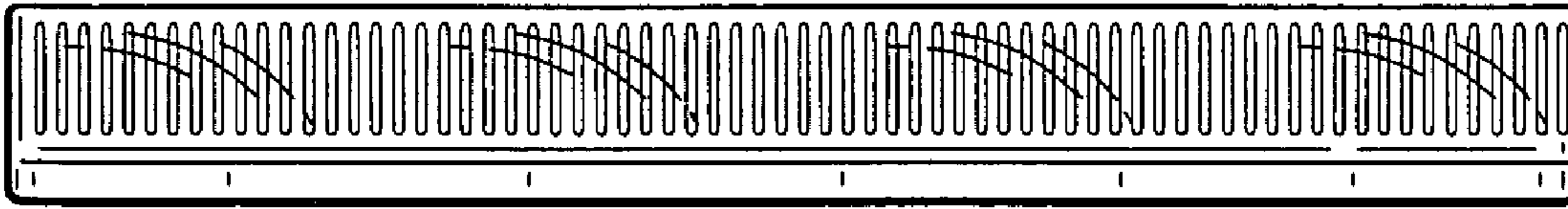


FIG. 2

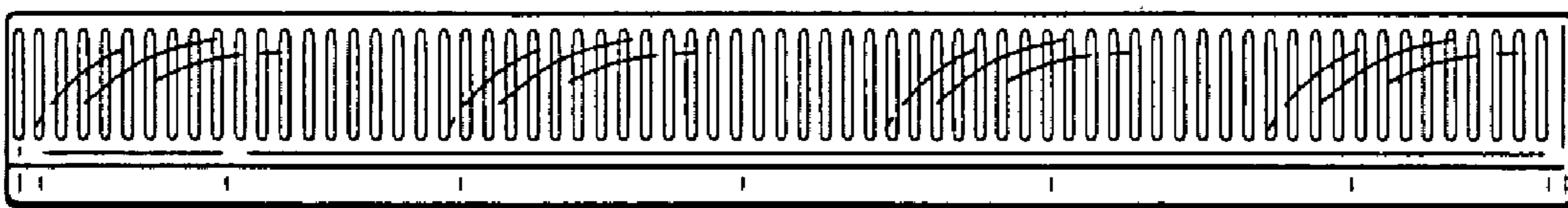


FIG. 3

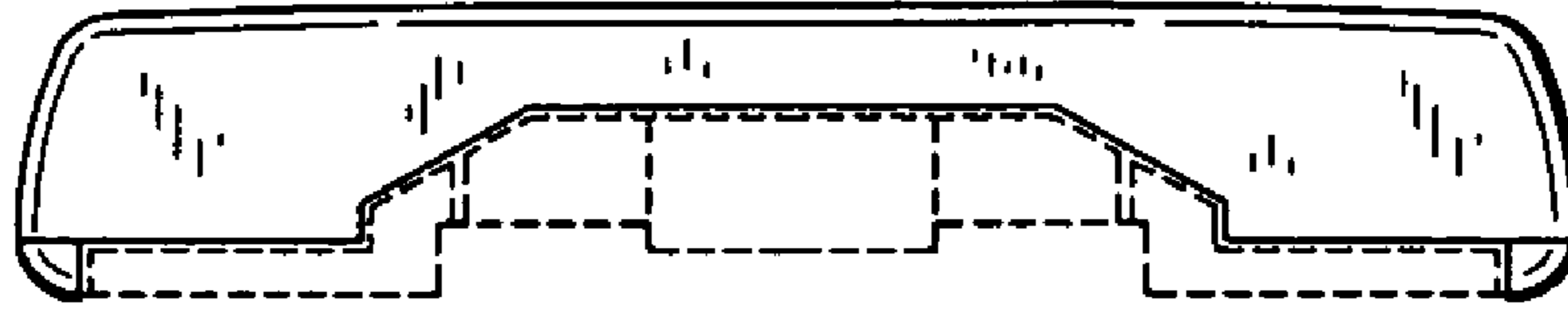


FIG. 4

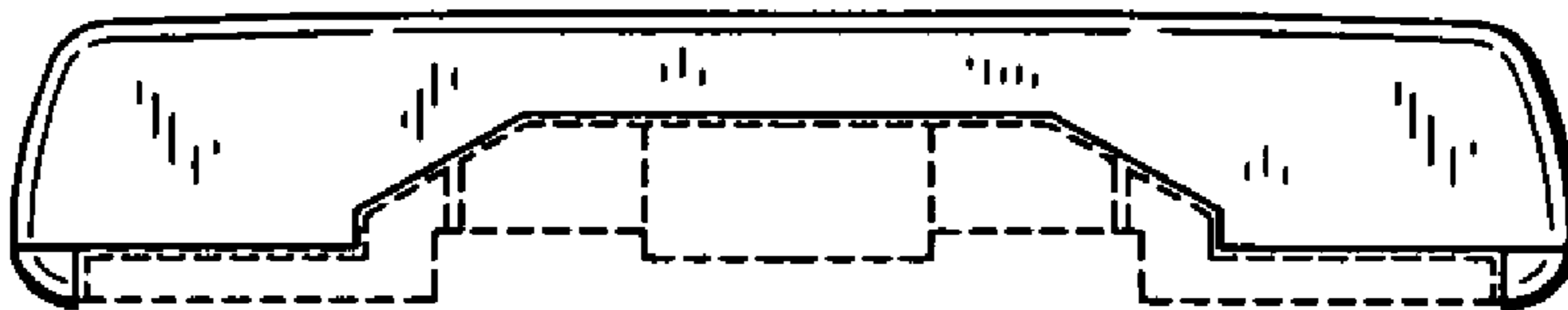


FIG. 5

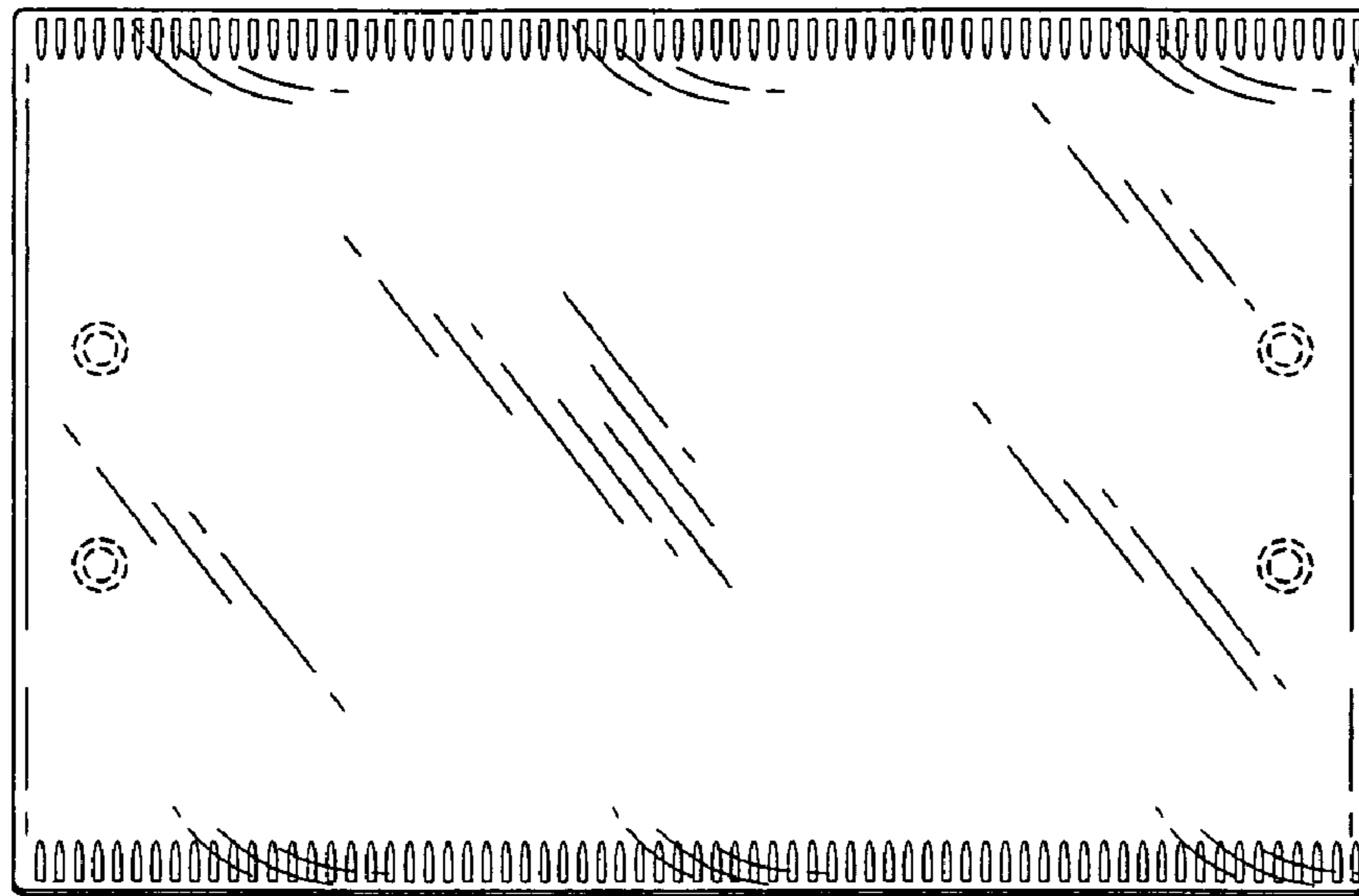


FIG. 6

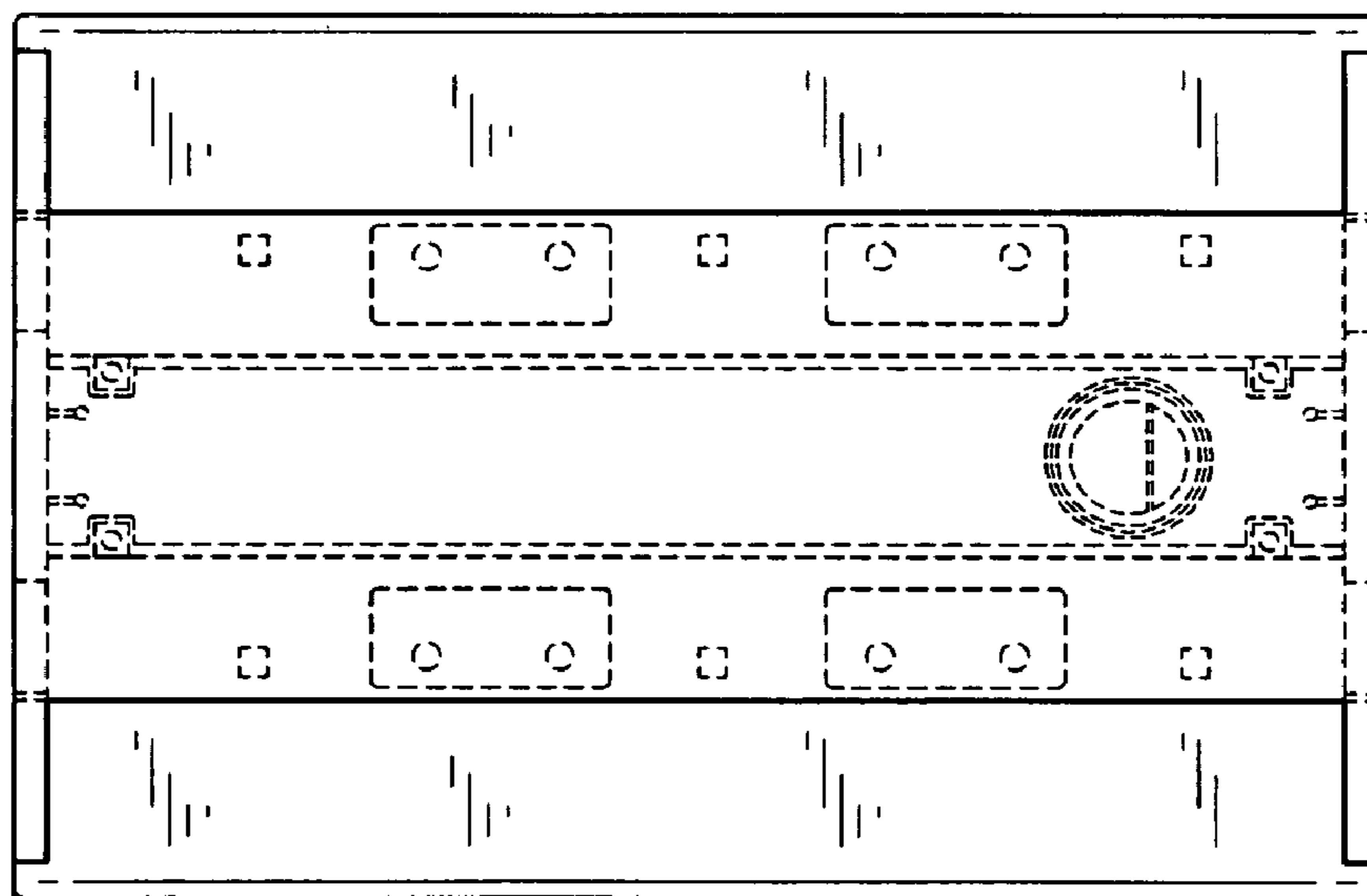


FIG. 7

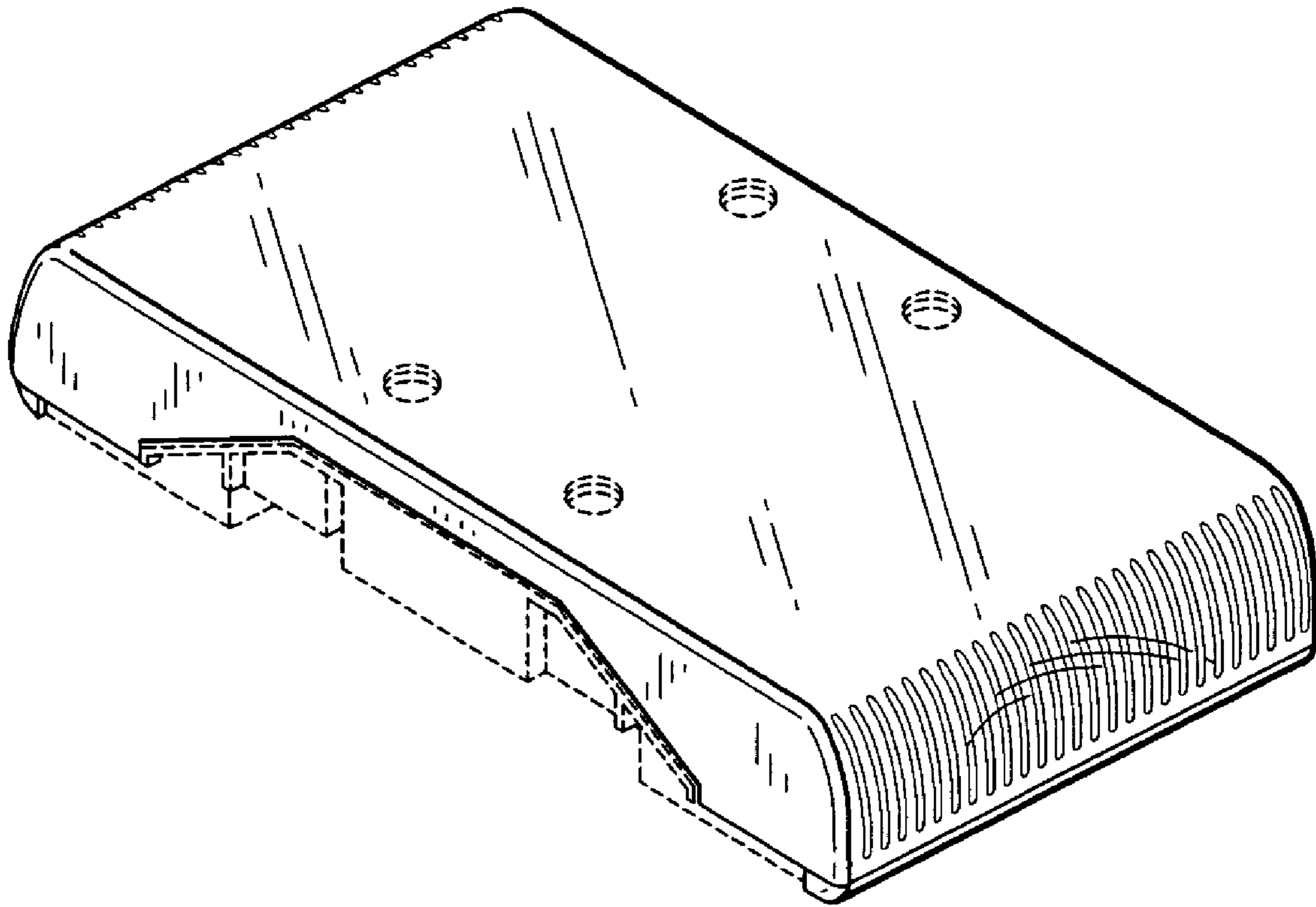


FIG. 8

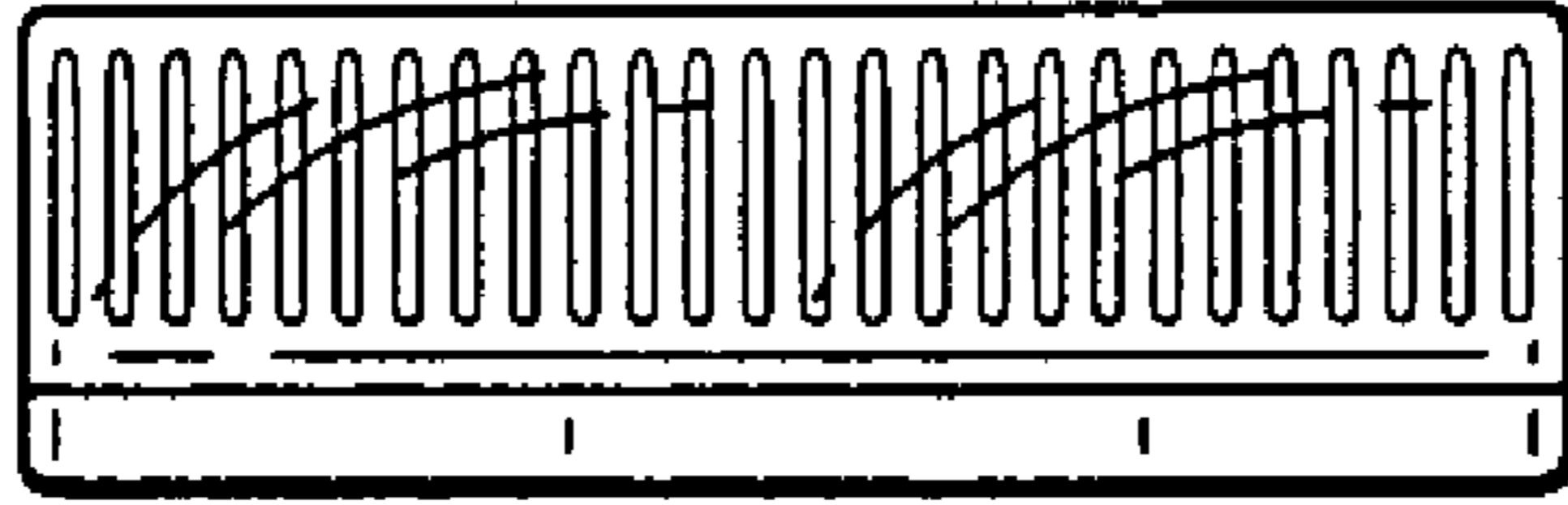


FIG. 9

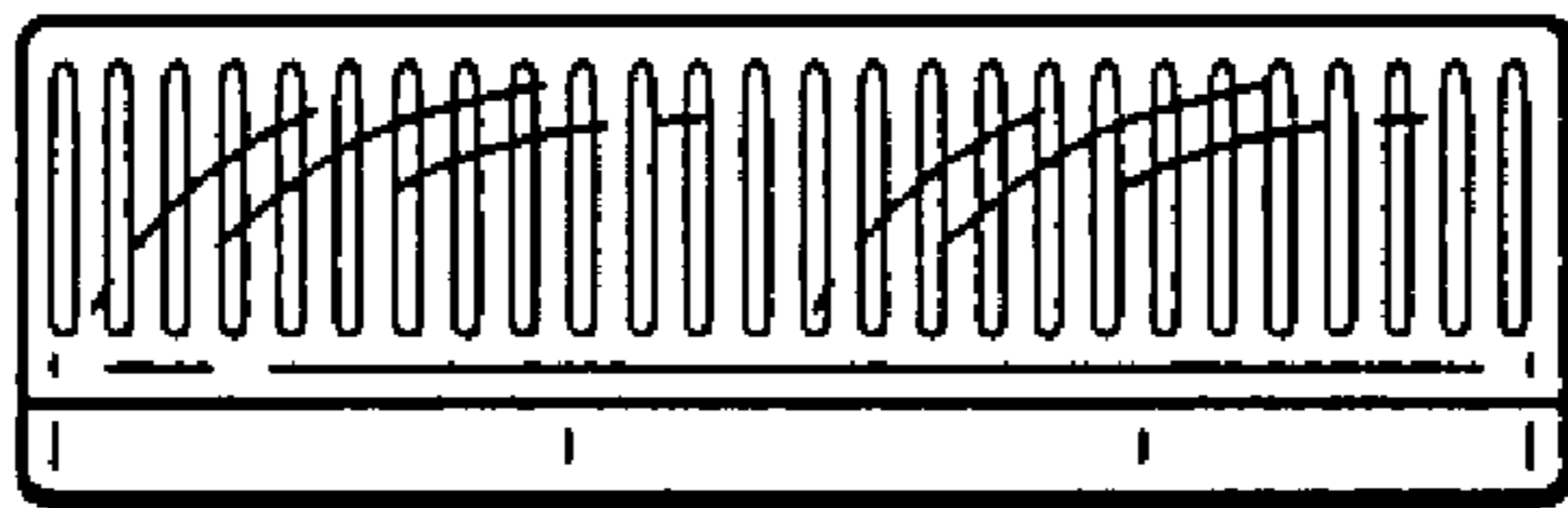


FIG. 10

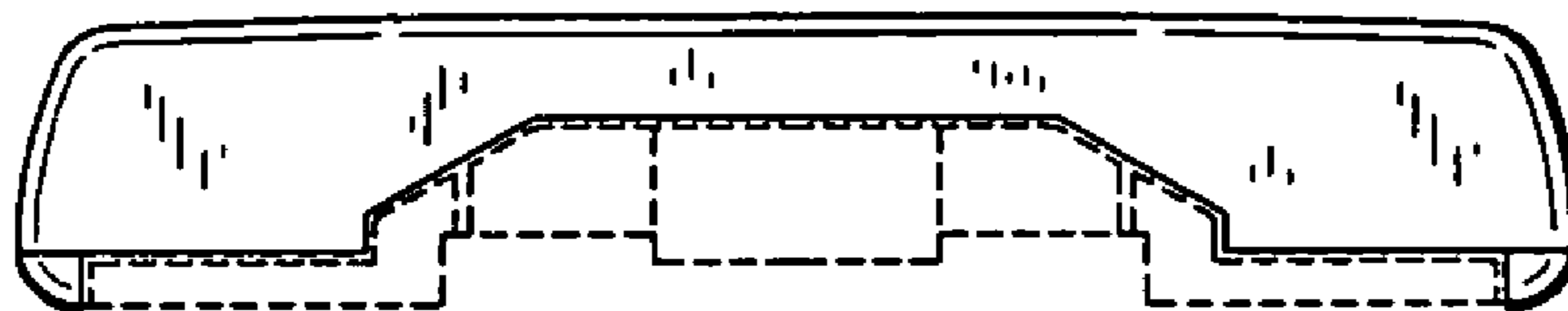


FIG. 11

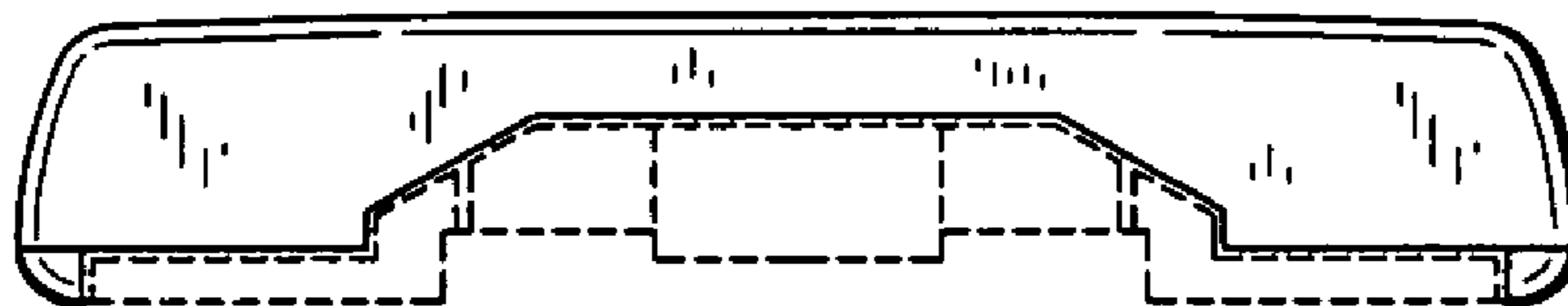


FIG. 12

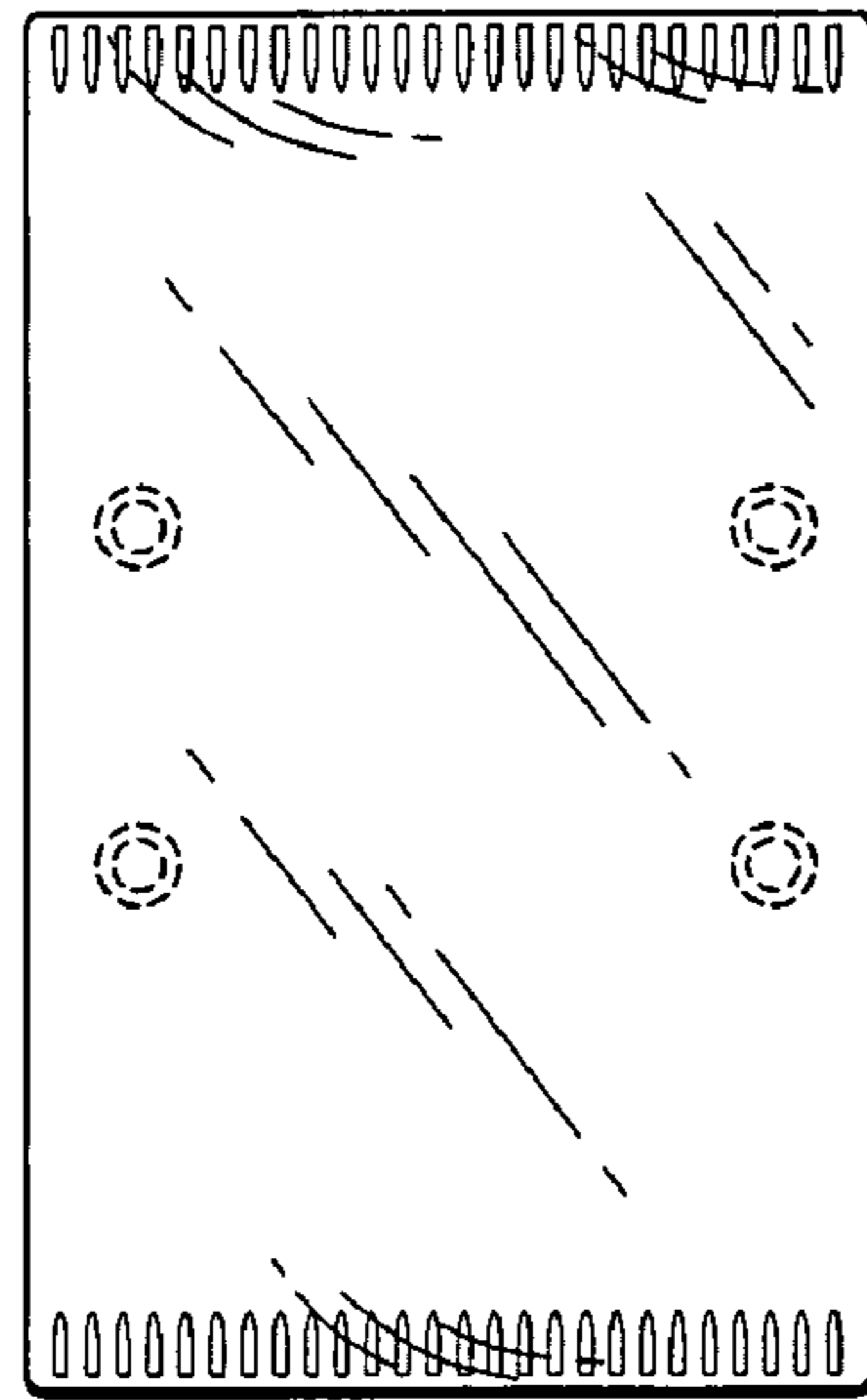


FIG. 13

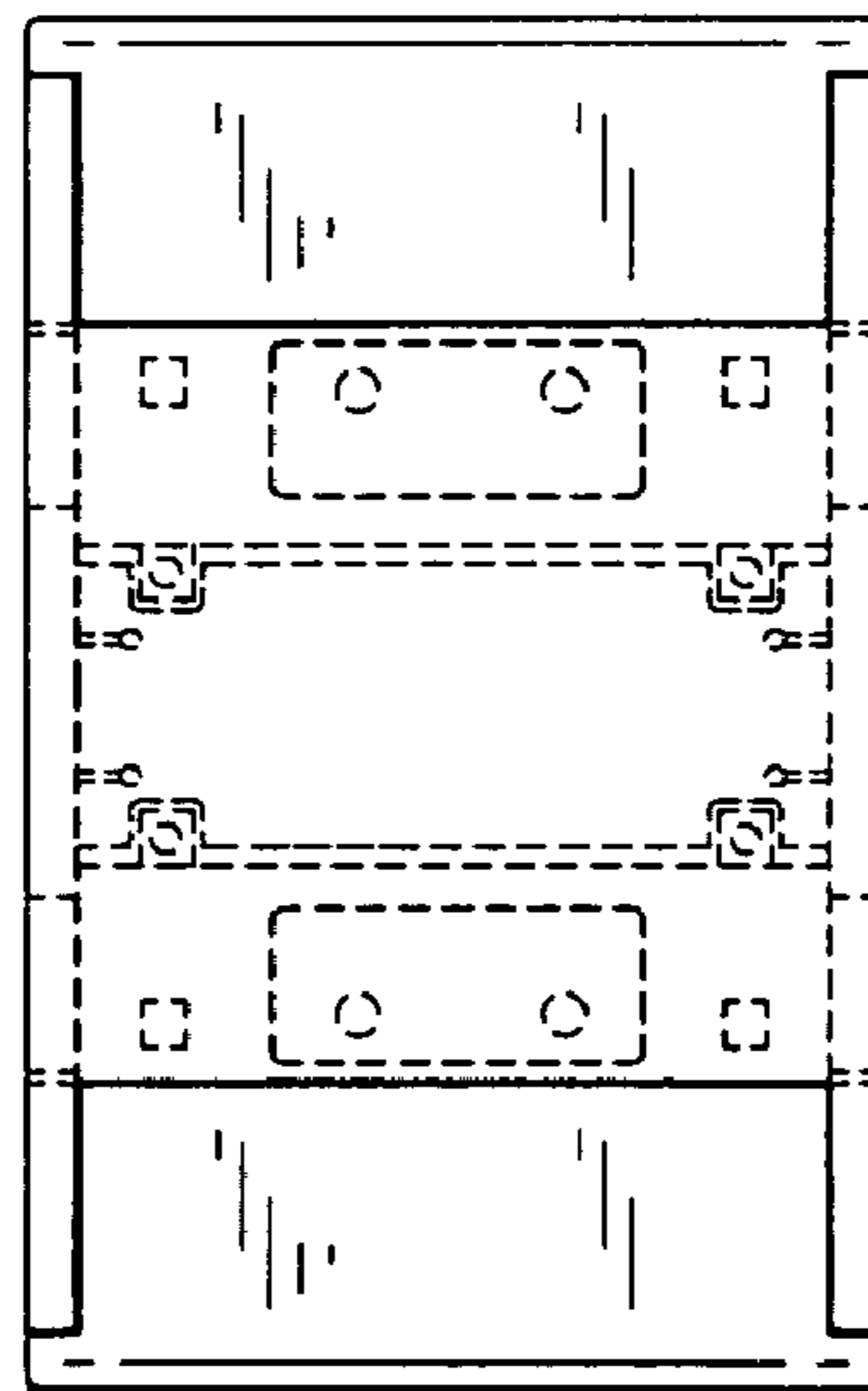


FIG. 14