



US00D603738S

(12) **United States Design Patent**
Nies et al.

(10) **Patent No.:** **US D603,738 S**

(45) **Date of Patent:** **** Nov. 10, 2009**

(54) **MECHANICAL WATER SENSOR**

(75) Inventors: **Juergen Nies**, Winchester, VA (US); **Ha Van Duong**, Winchester, VA (US); **Chunling Zhao**, Laurel, MD (US)

(73) Assignee: **Melnor, Inc.**, Winchester, VA (US)

(**) Term: **14 Years**

(21) Appl. No.: **29/303,722**

(22) Filed: **Feb. 15, 2008**

(51) **LOC (9) Cl.** **10-04**

(52) **U.S. Cl.** **D10/101; D10/102**

(58) **Field of Classification Search** D10/101,
D10/56, 102; 73/305; 137/624.11, 7.28;
239/65, 70

See application file for complete search history.

(56) **References Cited**

U.S. PATENT DOCUMENTS

D592,087 S * 5/2009 Ohtani et al. D10/102

* cited by examiner

Primary Examiner—Antoine D Davis

(74) *Attorney, Agent, or Firm*—Westerman, Hattori, Daniels & Adrian, LLP

(57) **CLAIM**

The ornamental design for a mechanical water sensor, as shown and described.

DESCRIPTION

FIG. 1 is a front perspective view of a mechanical water sensor;

FIG. 2 is a top view of the mechanical water sensor;

FIG. 3 is a bottom view of the mechanical water sensor;

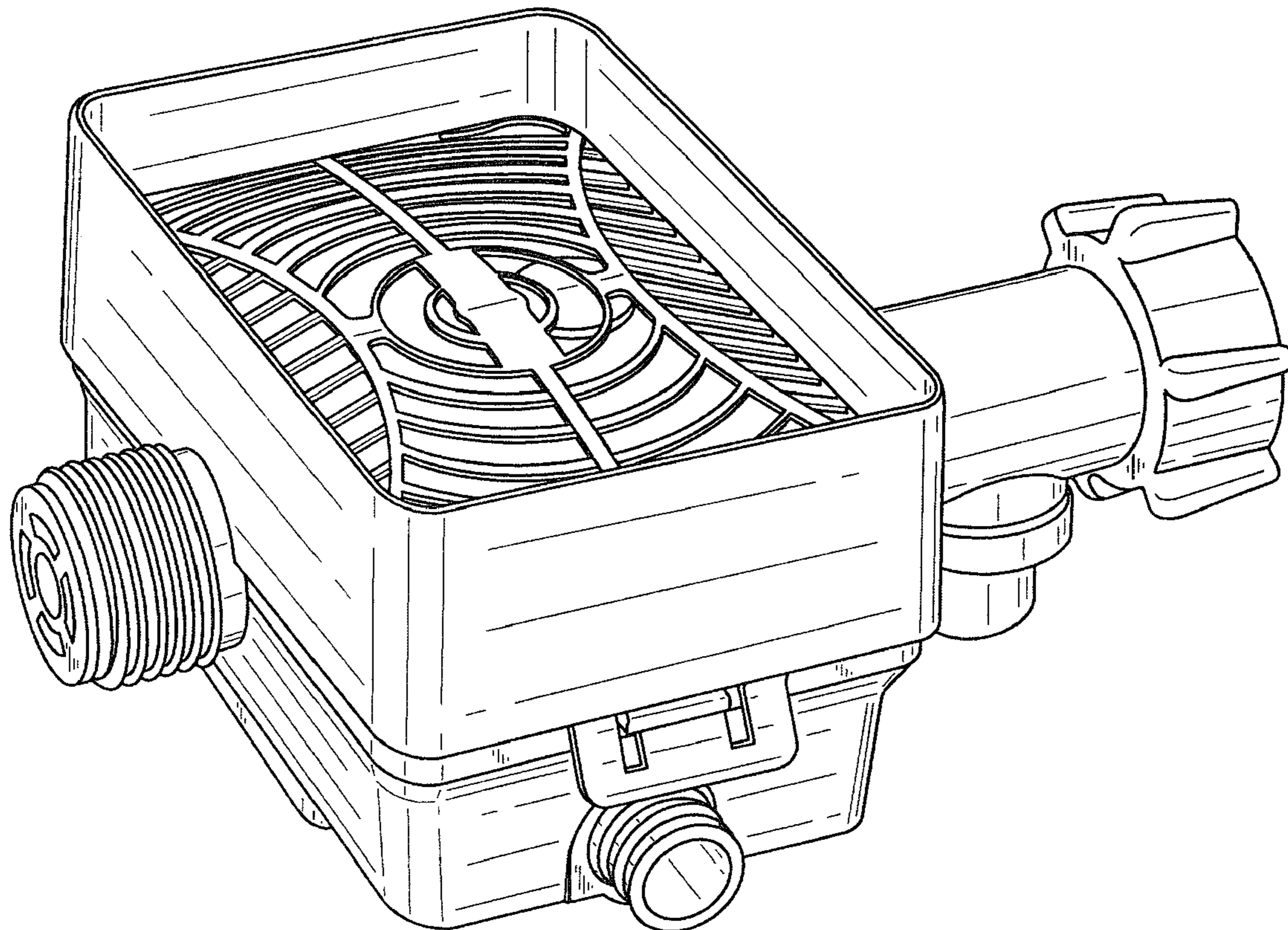
FIG. 4 is a front view of the mechanical water sensor;

FIG. 5 is a back view of the mechanical water sensor;

FIG. 6 is a left side view of the mechanical water sensor; and,

FIG. 7 is a right side view of the mechanical water sensor.

1 Claim, 7 Drawing Sheets



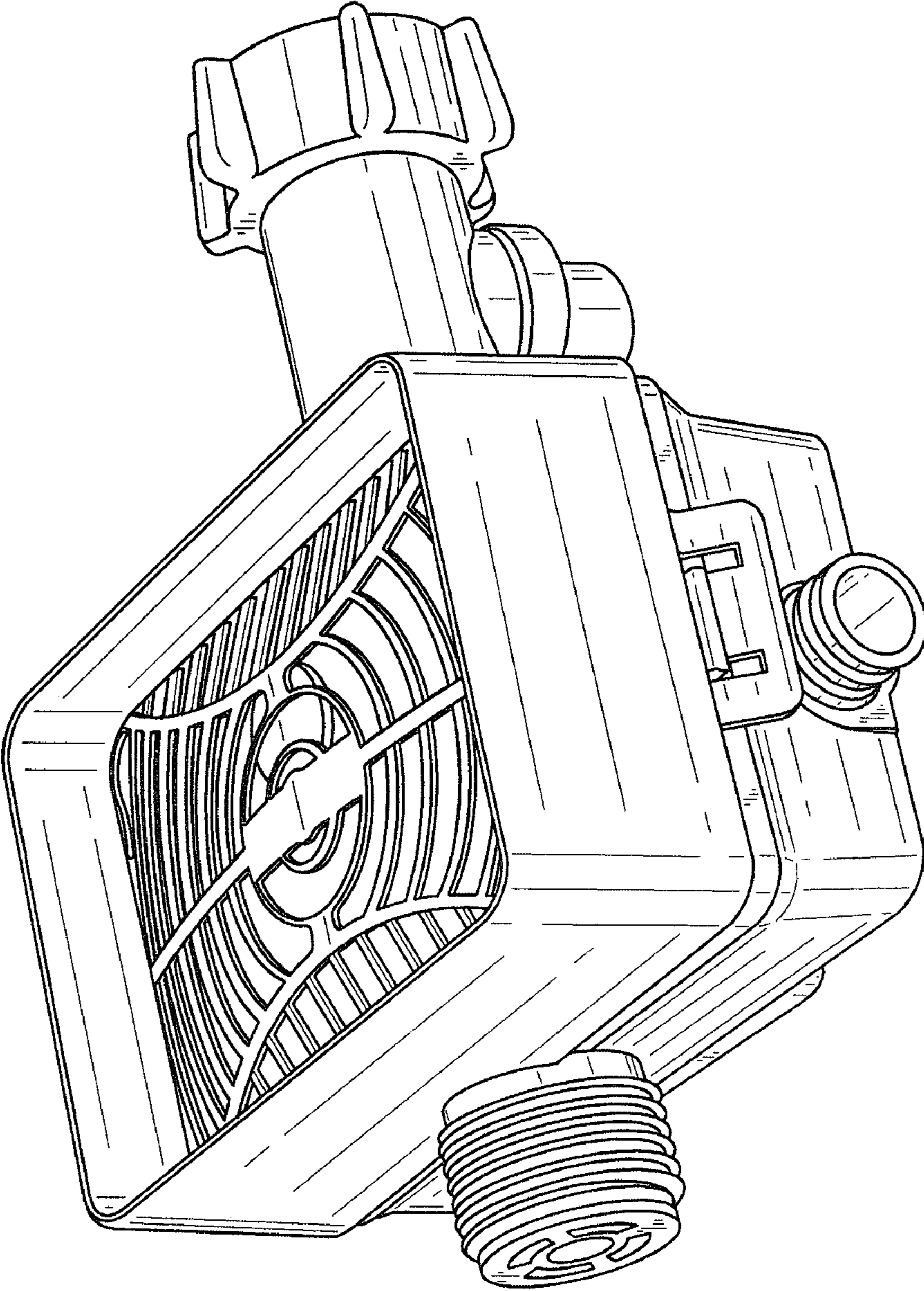


FIG.1

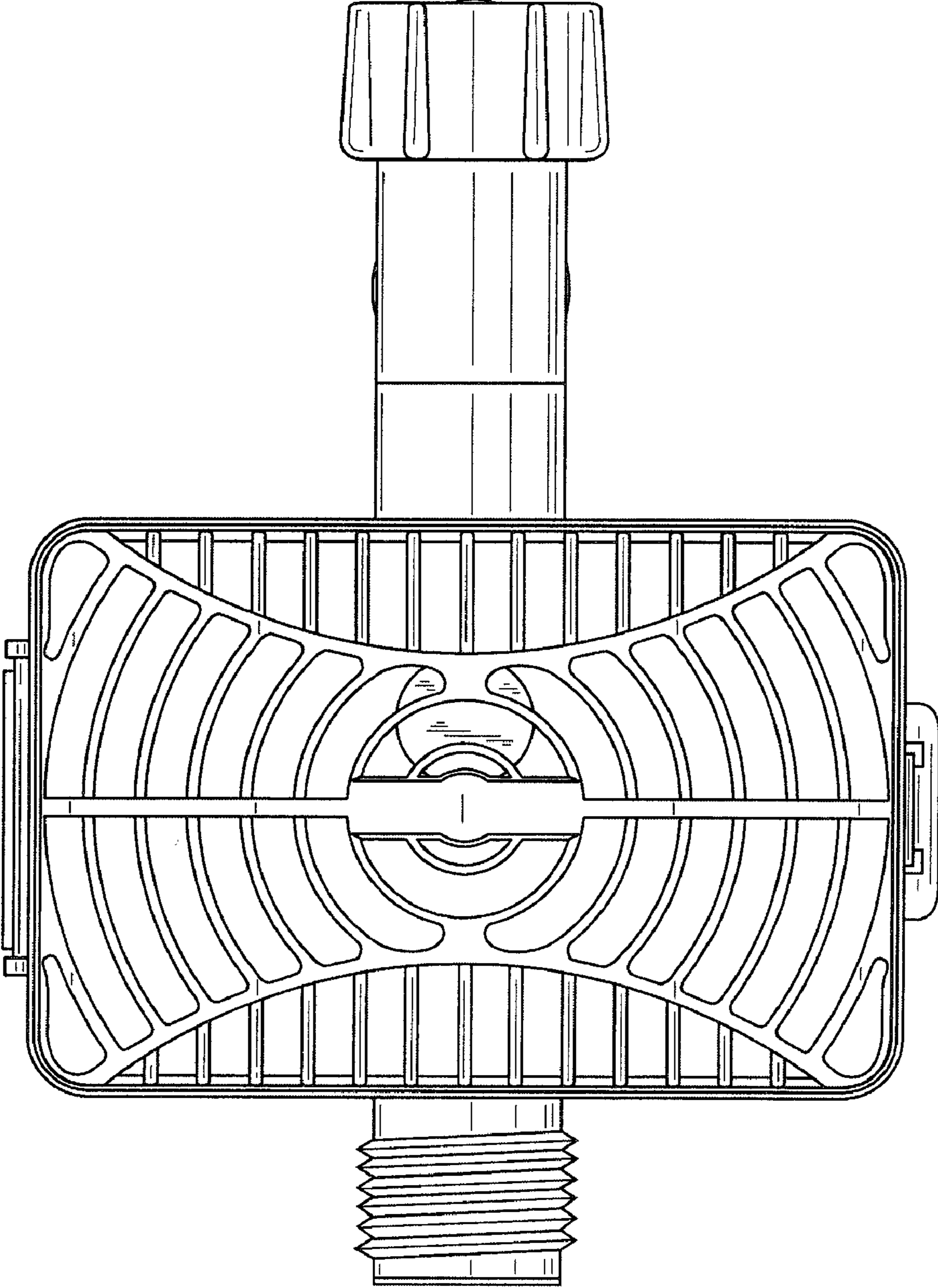


FIG.2

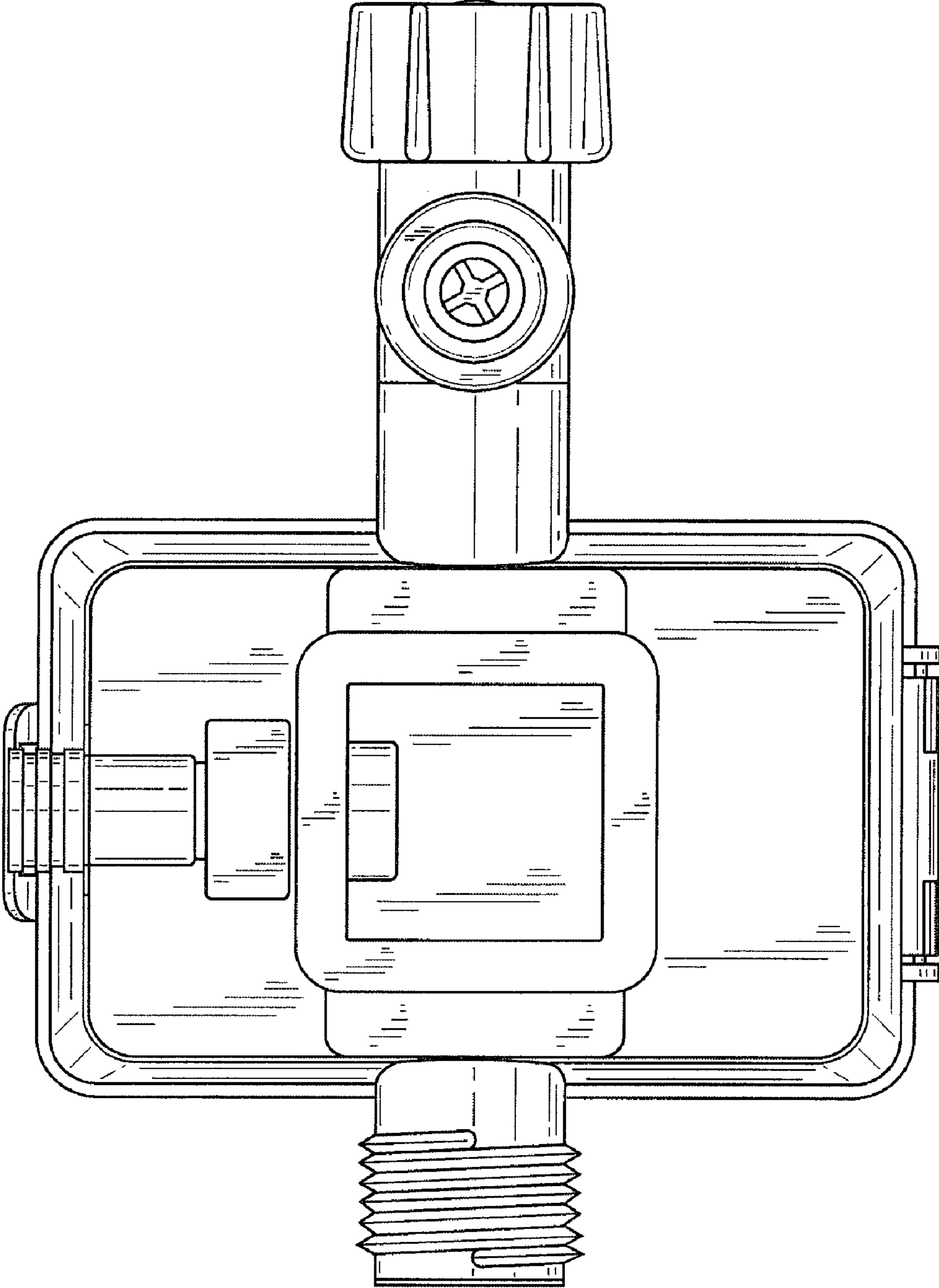


FIG.3

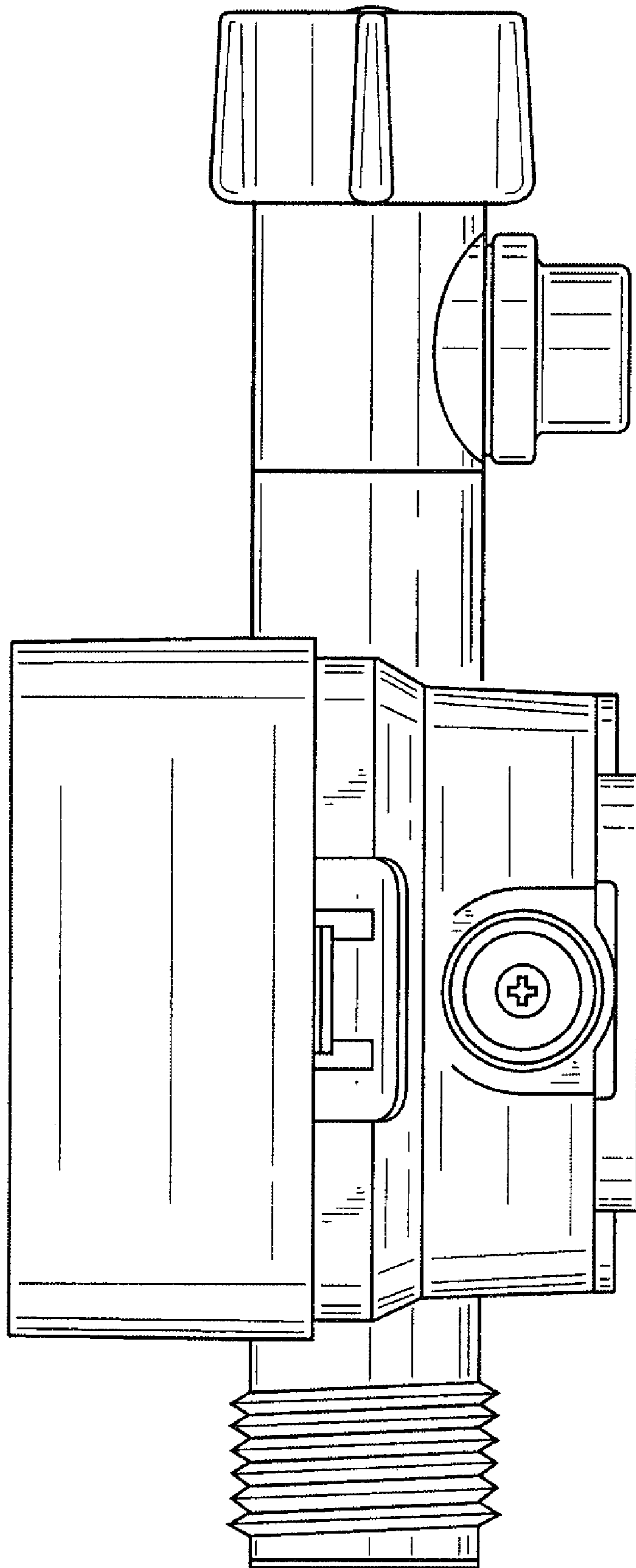


FIG.4

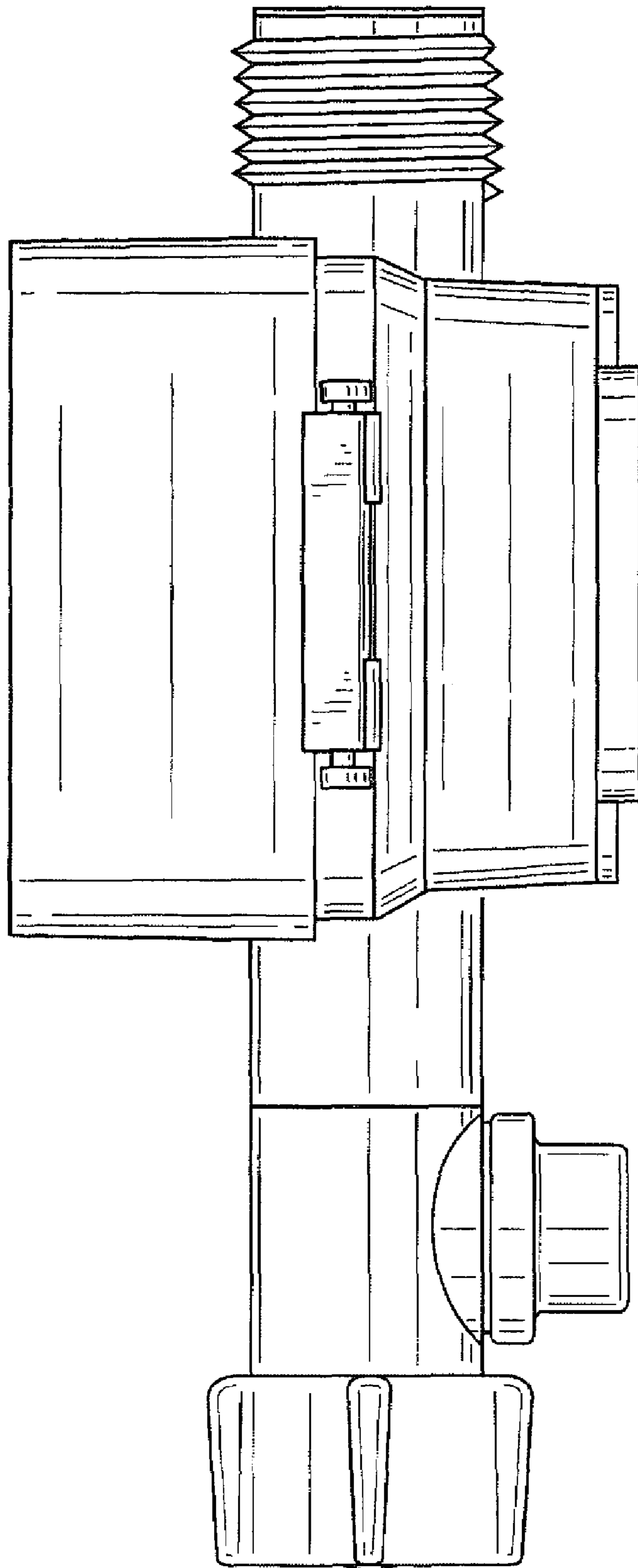


FIG.5

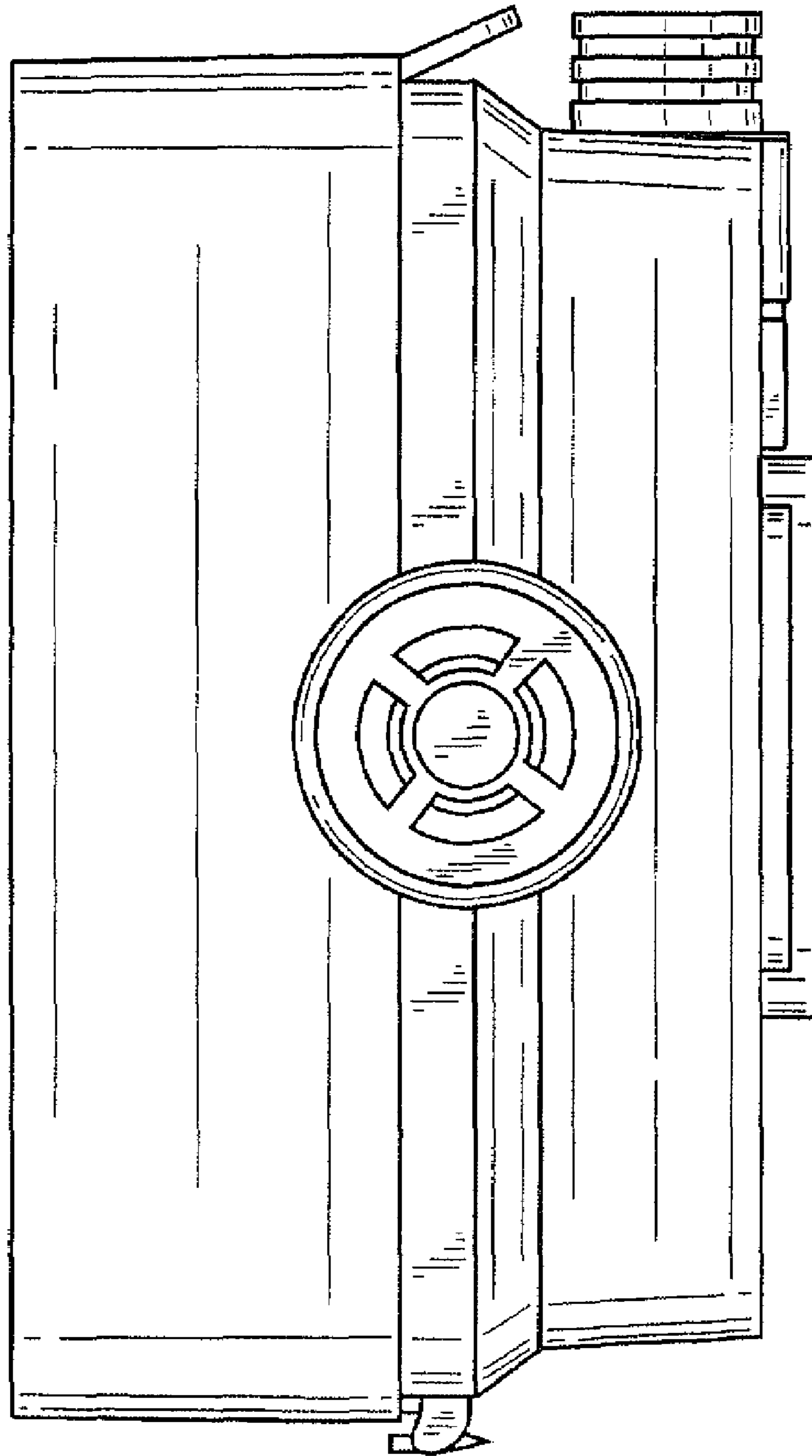


FIG. 6

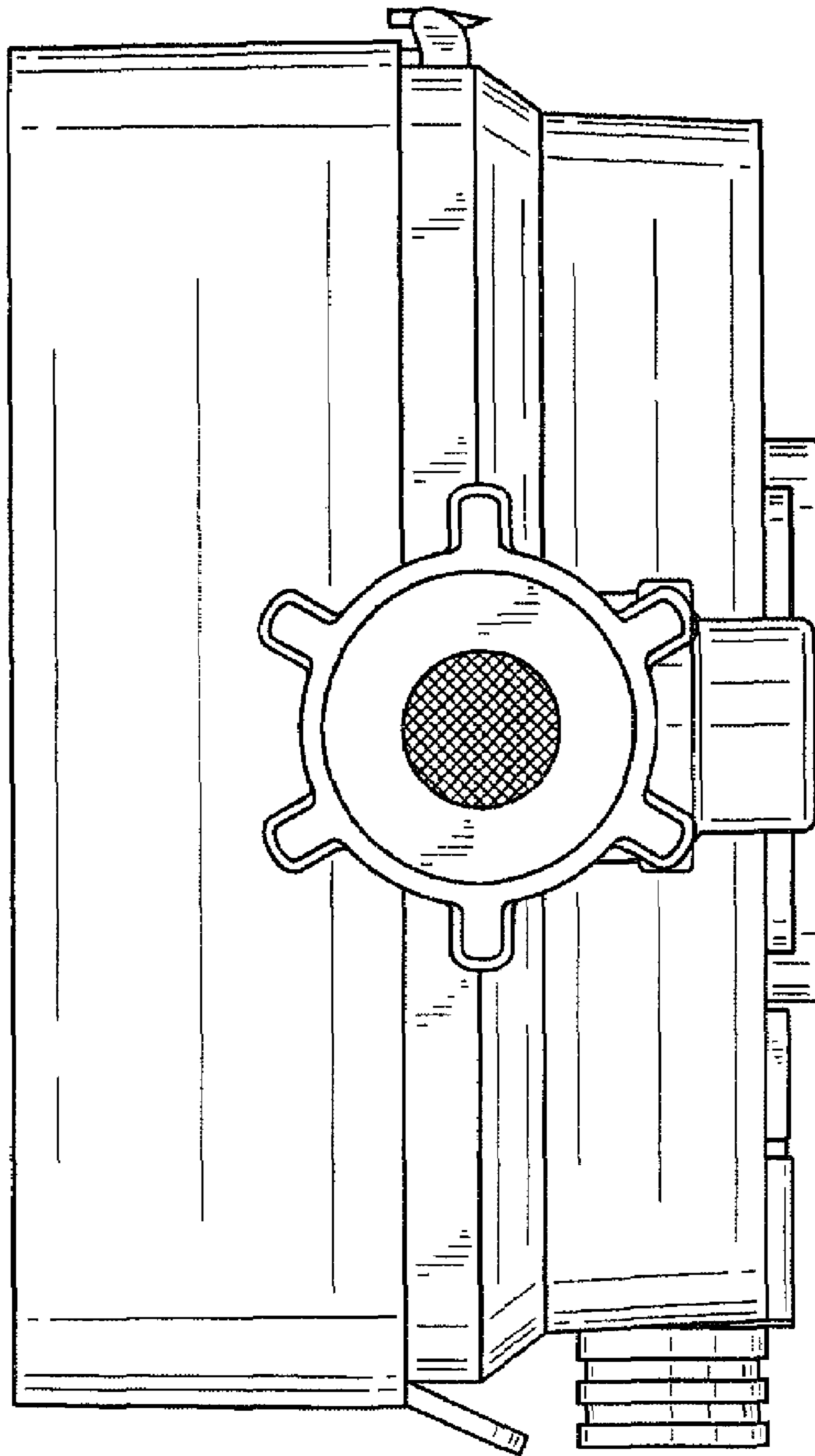


FIG. 7