



US00D603732S

(12) **United States Design Patent**
Chu

(10) **Patent No.:** **US D603,732 S**

(45) **Date of Patent:** **** Nov. 10, 2009**

(54) **PRESSURE SENSING DEVICE FOR AIR COMPRESSOR**

D588,483 S * 3/2009 Chu D10/85

* cited by examiner

(76) Inventor: **Henry C. Chu**, 133 N. Lemon St.,
Orange, CA (US) 92866

Primary Examiner—Antoine D Davis

(74) *Attorney, Agent, or Firm*—Charles E. Baxley

(**) Term: **14 Years**

(57) **CLAIM**

(21) Appl. No.: **29/312,020**

The ornamental design for a pressure sensing device for air compressor, as shown and described.

(22) Filed: **Sep. 25, 2008**

DESCRIPTION

(51) **LOC (9) Cl.** **10-04**

(52) **U.S. Cl.** **D10/85; D10/96**

(58) **Field of Classification Search** D10/85,
D10/96; 73/715-722, 431, 705; 200/83,
200/83 B, 83 C, 83 L; 324/110-116, 119;
340/688, 626; 250/231.11; 417/13, 18, 32
See application file for complete search history.

FIG. 1 is a perspective view of a pressure sensing device for air compressor showing my new design;

FIG. 2 is a front elevational view thereof;

FIG. 3 is a rear elevational view thereof;

FIG. 4 is a top plan view thereof;

FIG. 5 is a bottom plan view thereof;

FIG. 6 is a left side elevational view thereof;

FIG. 7 is a right side elevational view thereof; and,

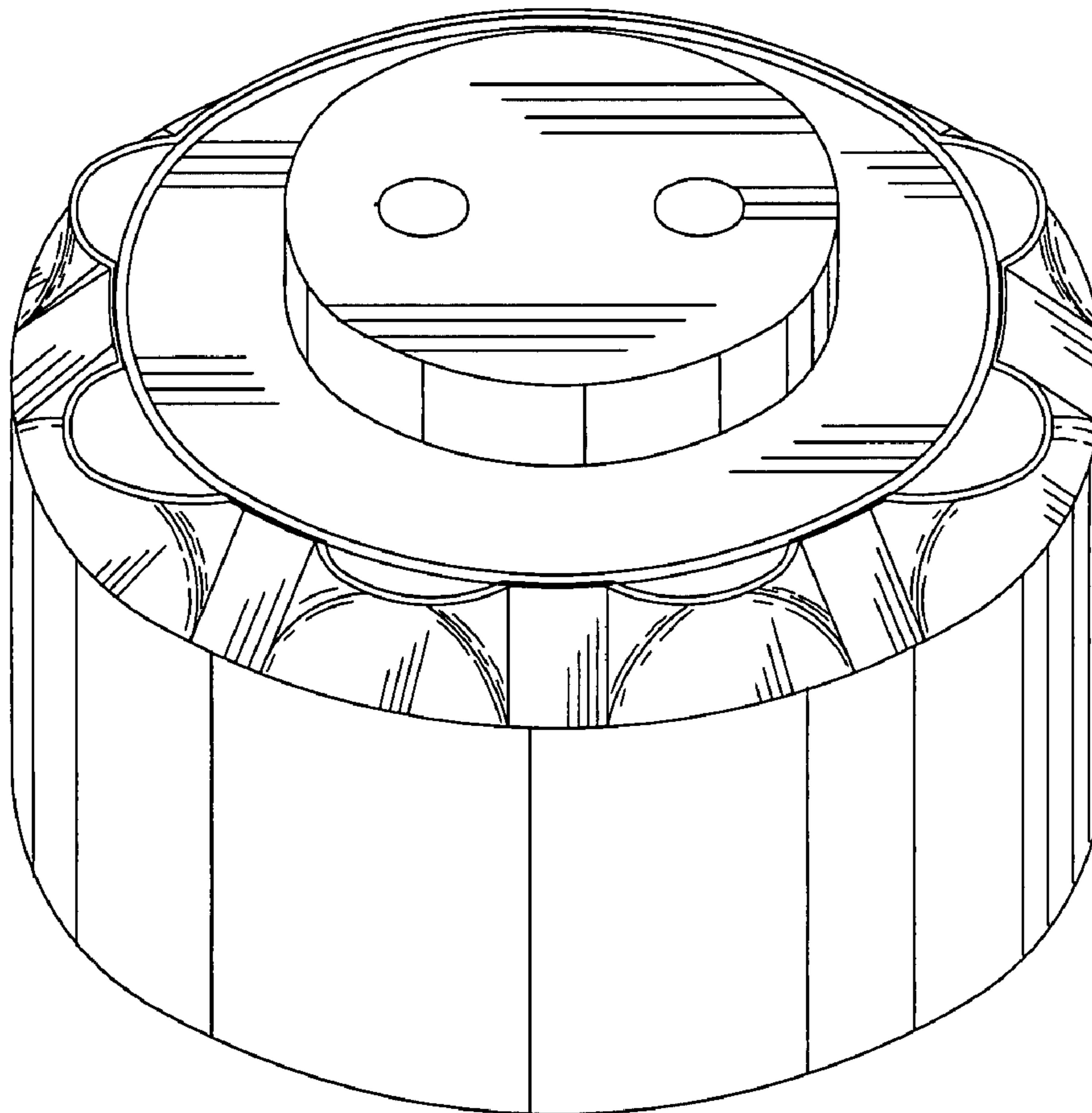
FIG. 8 is a perspective view thereof, the electric wires depicted by means of broken lines being for illustrative purposes only and forming no part of the claimed design.

(56) **References Cited**

U.S. PATENT DOCUMENTS

- D348,017 S * 6/1994 Poleshuk et al. D10/99
- D430,049 S * 8/2000 Flick et al. D10/96
- D439,534 S * 3/2001 Scarrott et al. D10/96
- 6,394,758 B1 * 5/2002 Lee et al. 417/13

1 Claim, 5 Drawing Sheets



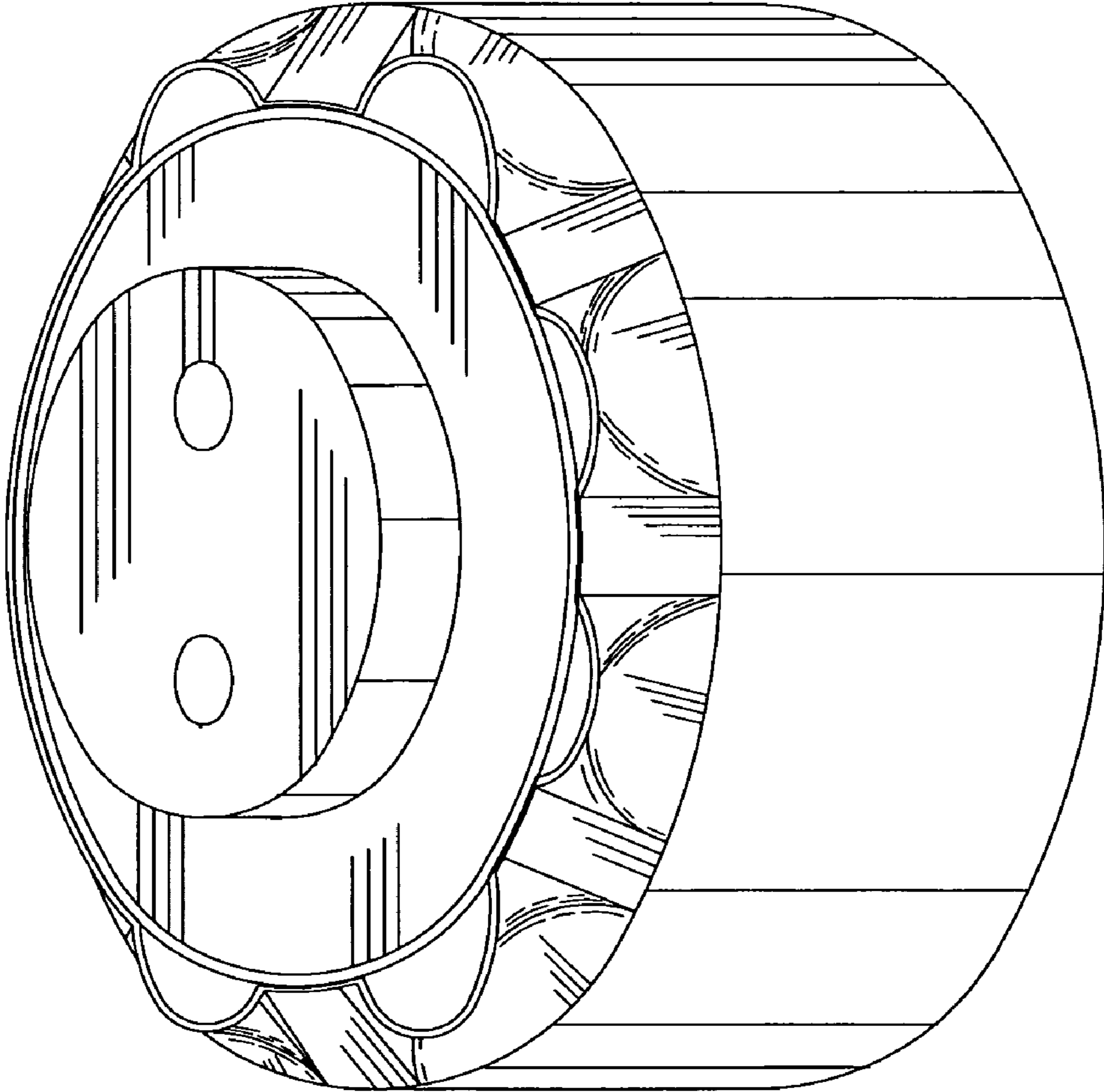


FIG. 1

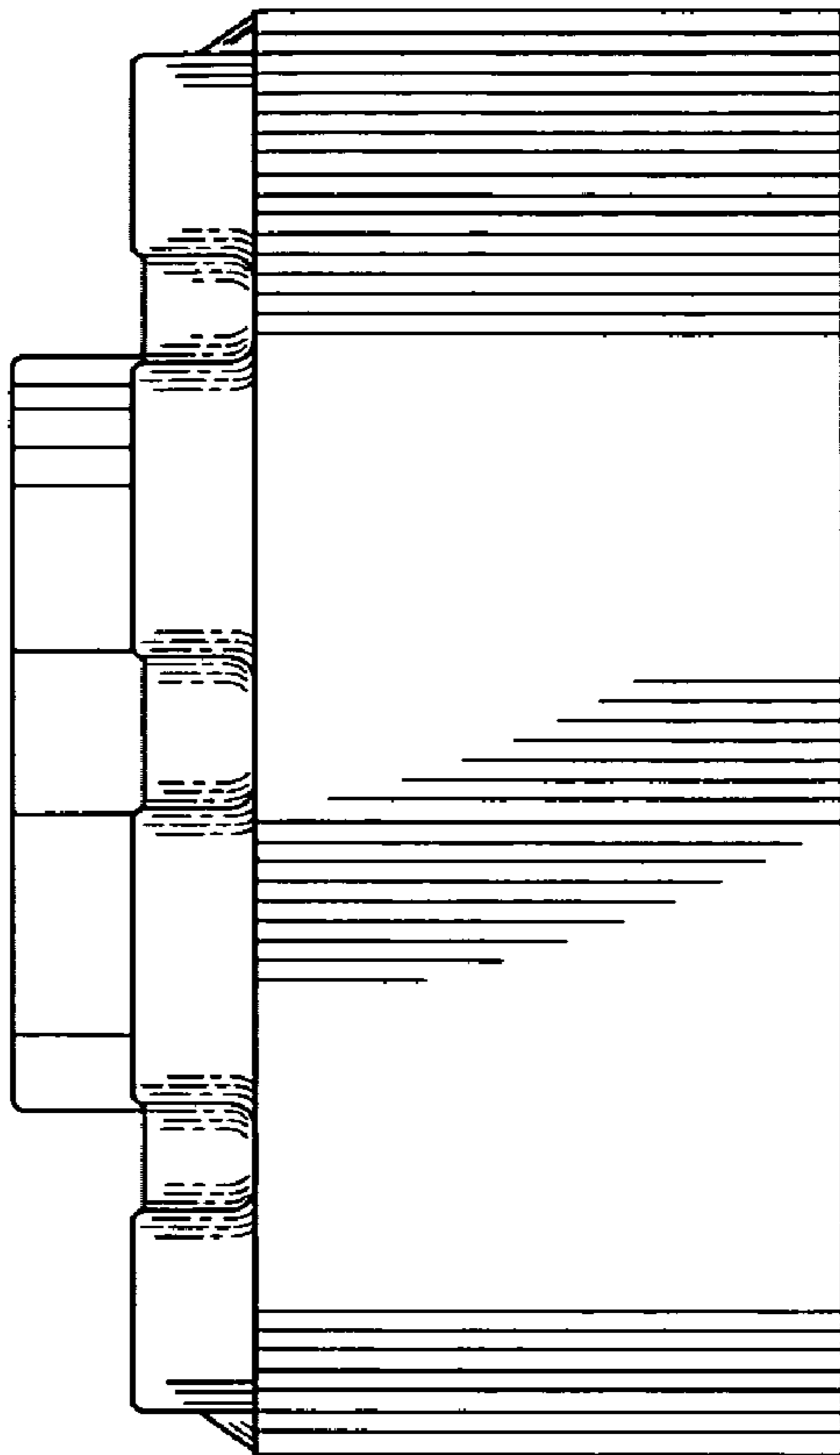


FIG. 2

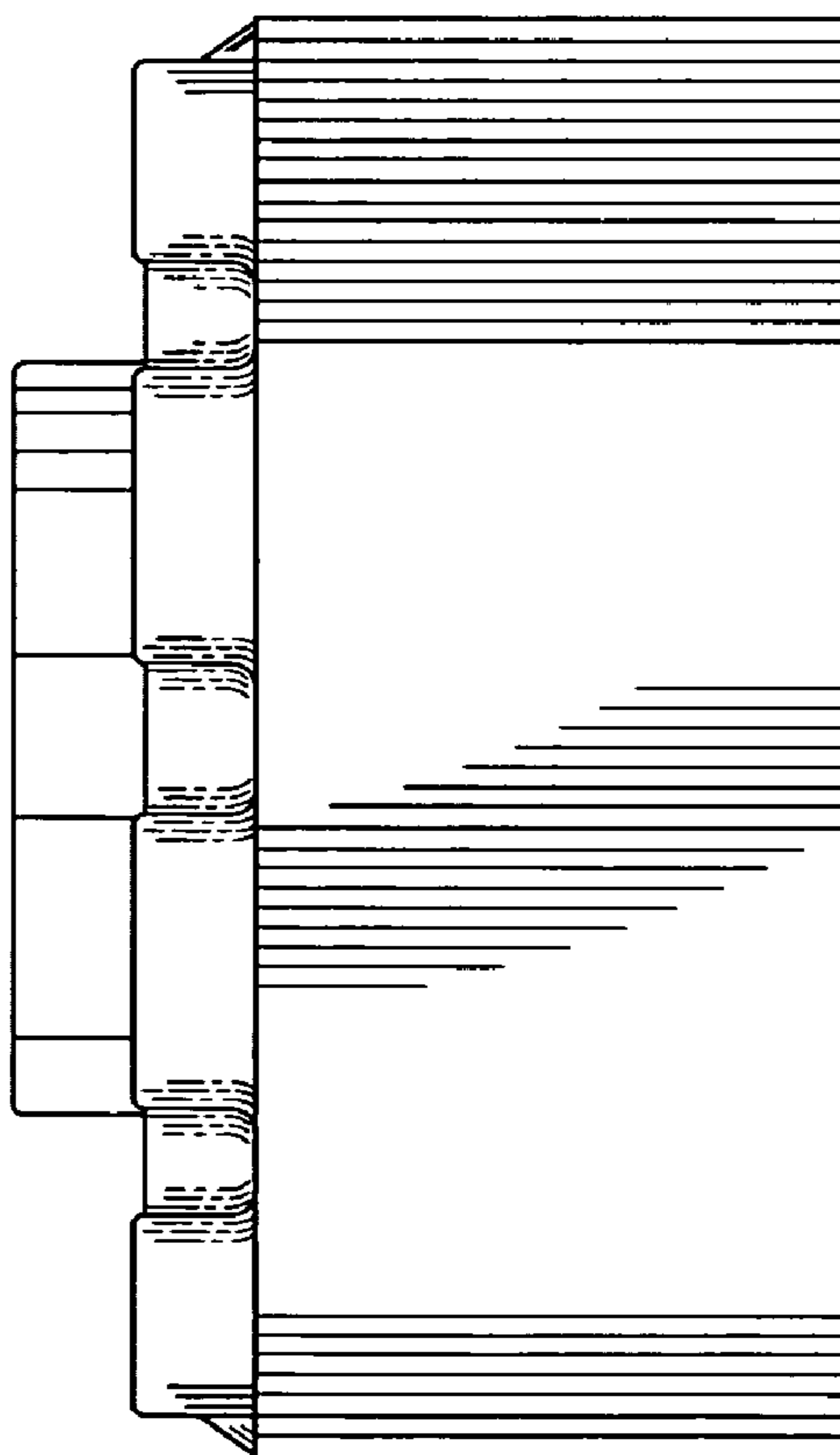


FIG. 3

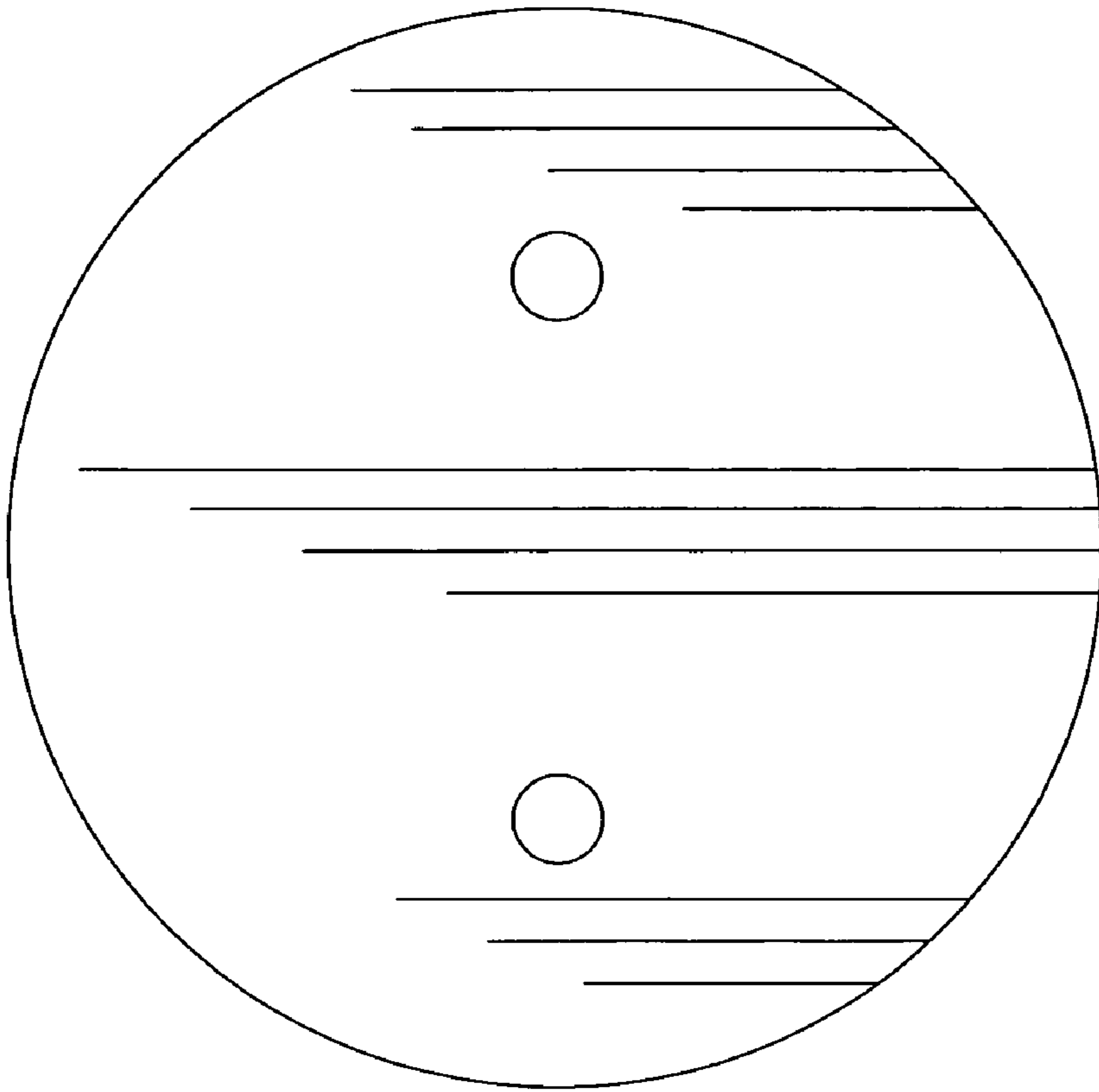


FIG. 5

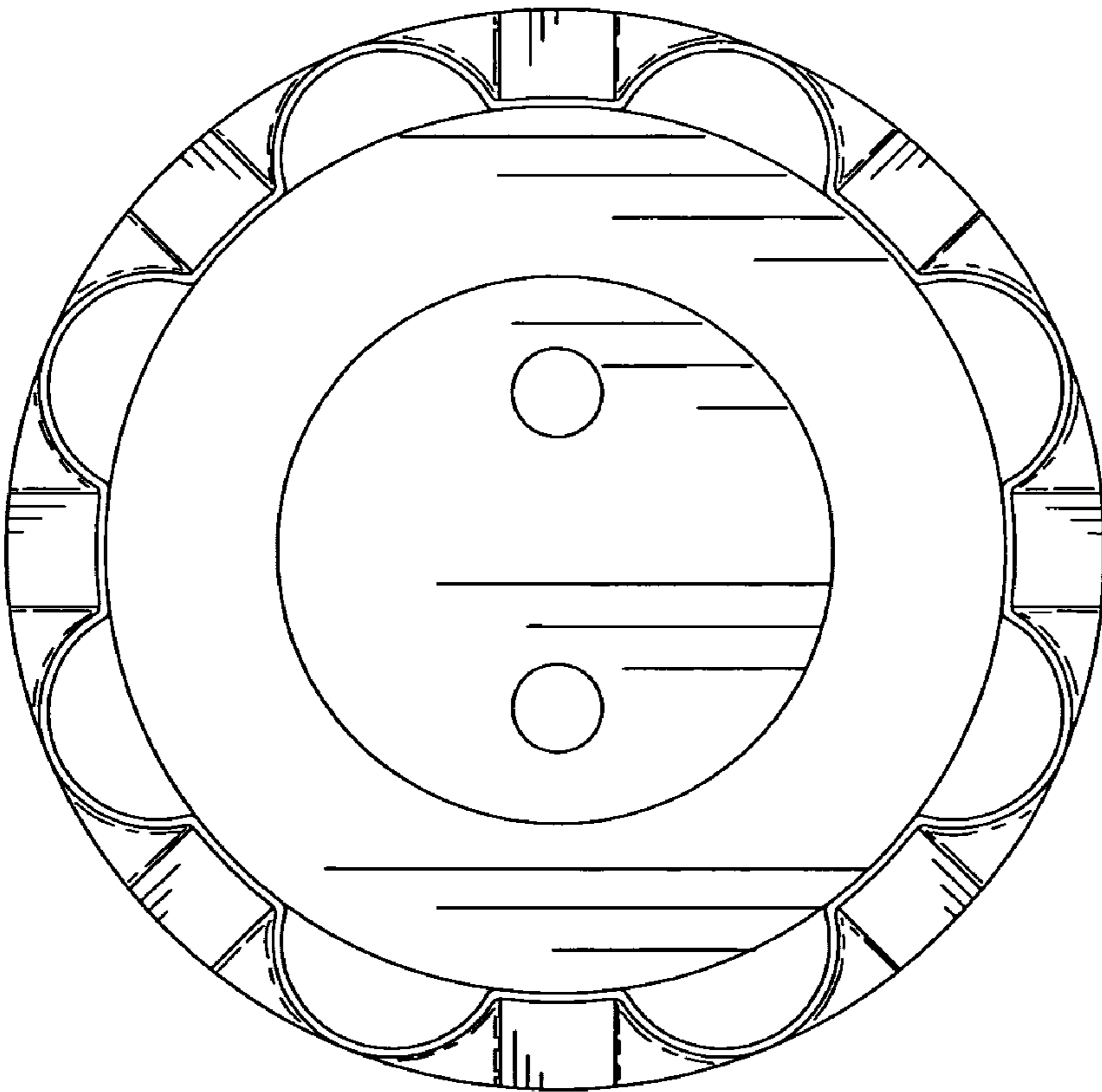


FIG. 4

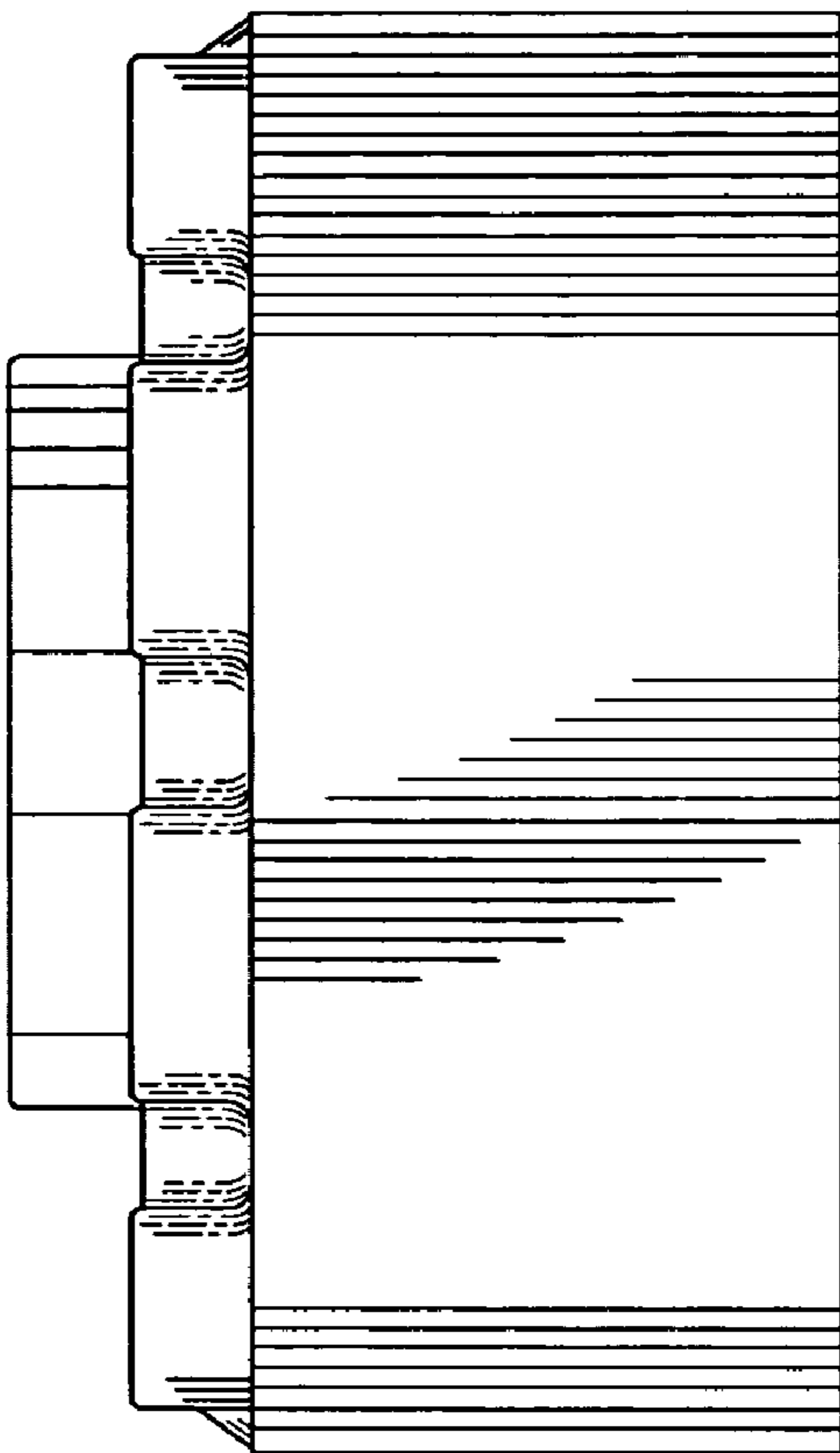


FIG. 6

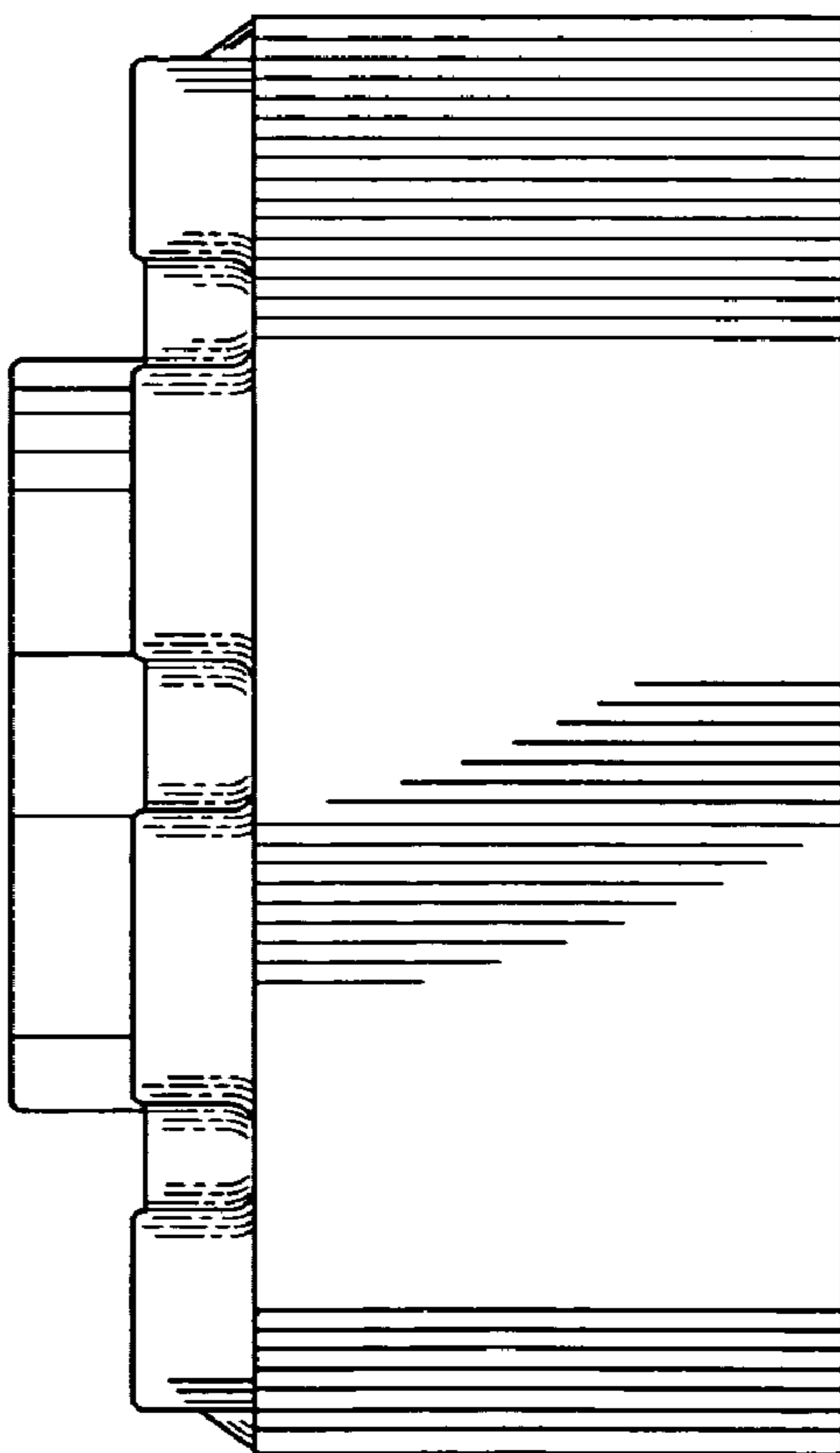


FIG. 7

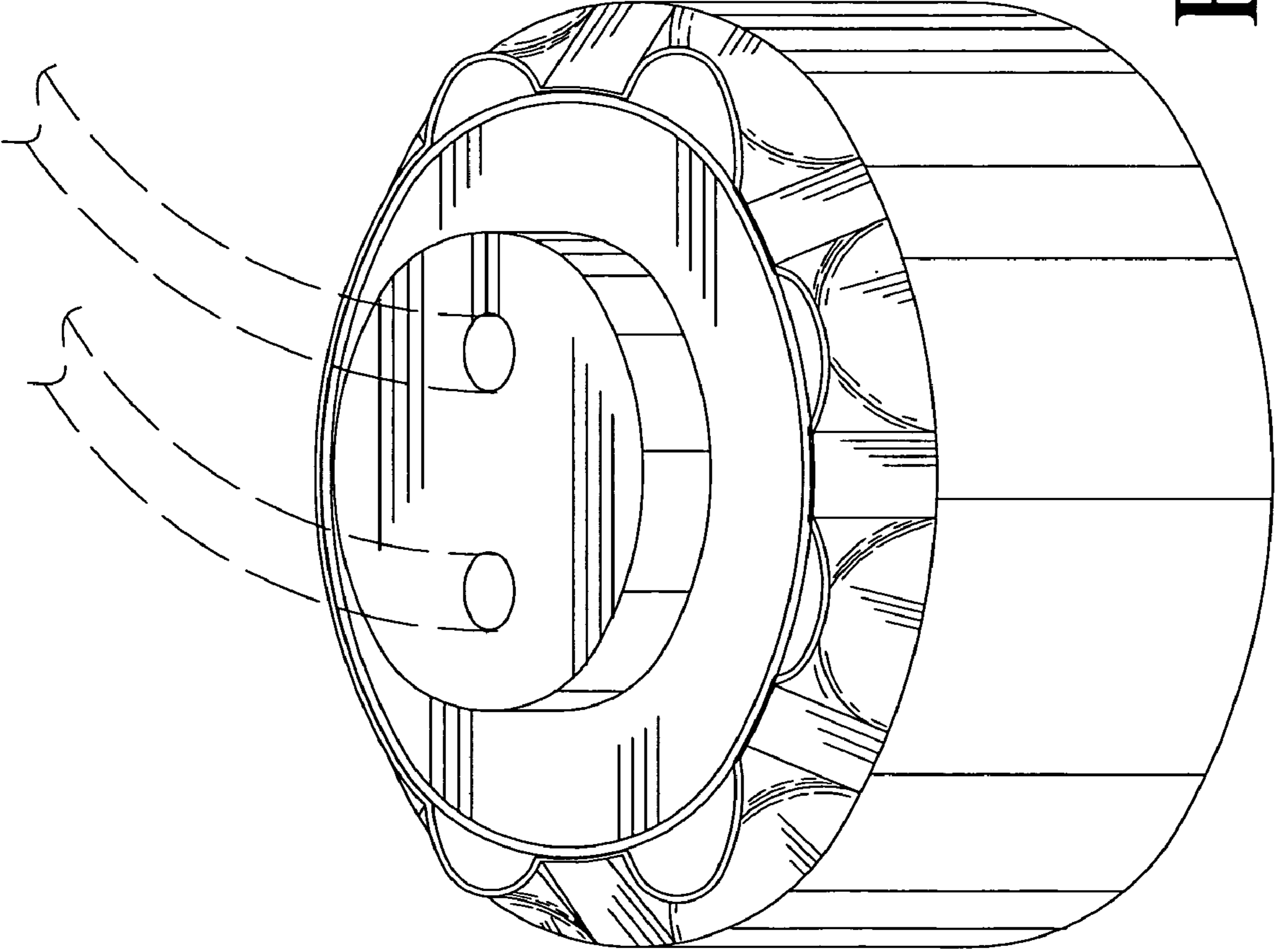


FIG. 8