



US00D603731S

(12) **United States Design Patent**
Shibayama

(10) **Patent No.:** **US D603,731 S**
(45) **Date of Patent:** **** Nov. 10, 2009**

(54) **SPECTROMETER**

(75) Inventor: **Katsumi Shibayama**, Hamamatsu (JP)

(73) Assignee: **Hamamatsu Photonics K.K.**,
Hamamatsu-shi, Shizuoka (JP)

(**) Term: **14 Years**

(21) Appl. No.: **29/333,518**

(22) Filed: **Mar. 11, 2009**

(51) **LOC (9) Cl.** **10-04**

(52) **U.S. Cl.** **D10/81**

(58) **Field of Classification Search** D10/81;
D13/123-157; 250/226; 356/416-419, 420,
356/300-370, 402, 425; 350/311, 318; 357/3 H,
357/3 L; 358/43, 44

See application file for complete search history.

(56) **References Cited**

U.S. PATENT DOCUMENTS

4,687,329 A *	8/1987	Schultz	356/328
5,166,755 A *	11/1992	Gat	356/419
D389,123 S *	1/1998	Vernon	D13/147
2008/0304793 A1 *	12/2008	Benaron et al.	385/75

* cited by examiner

Primary Examiner—Antoine D Davis

(74) *Attorney, Agent, or Firm*—Drinker Biddle & Reath LLP

(57) **CLAIM**

The ornamental design for a spectrometer, as shown and described.

DESCRIPTION

FIG. 1 is a front view of a first embodiment of a spectrometer;

FIG. 2 is a rear view thereof;

FIG. 3 is a top plan view thereof;

FIG. 4 is a bottom view thereof;

FIG. 5 is a right side view thereof;

FIG. 6 is a left side view thereof;

FIG. 7 is a perspective view thereof;

FIG. 8 is a top view of a second embodiment;

FIG. 9 is a reference view thereof;

FIG. 10 is a front view of a third embodiment of a spectrometer;

FIG. 11 is a rear view thereof;

FIG. 12 is a top plan view thereof;

FIG. 13 is a bottom view thereof;

FIG. 14 is a right side view thereof;

FIG. 15 is a left side view thereof;

FIG. 16 is a perspective view thereof;

FIG. 17 is a top view of a fourth embodiment;

FIG. 18 is a reference view thereof;

FIG. 19 is a front view of a fifth embodiment of a spectrometer;

FIG. 20 is a rear view thereof;

FIG. 21 is a top plan view thereof;

FIG. 22 is a bottom view thereof;

FIG. 23 is a right side view thereof;

FIG. 24 is a left side view thereof;

FIG. 25 is a perspective view thereof;

FIG. 26 is a top view of a sixth embodiment;

FIG. 27 is a reference view thereof;

FIG. 28 is a front view of a seventh embodiment of a spectrometer;

FIG. 29 is a rear view thereof;

FIG. 30 is a top plan view thereof;

FIG. 31 is a bottom view thereof;

FIG. 32 is a right side view thereof;

FIG. 33 is a left side view thereof;

FIG. 34 is a perspective view thereof;

FIG. 35 is a top view of an eighth embodiment;

FIG. 36 is a reference view thereof;

FIG. 37 is a front view of a ninth embodiment of a spectrometer;

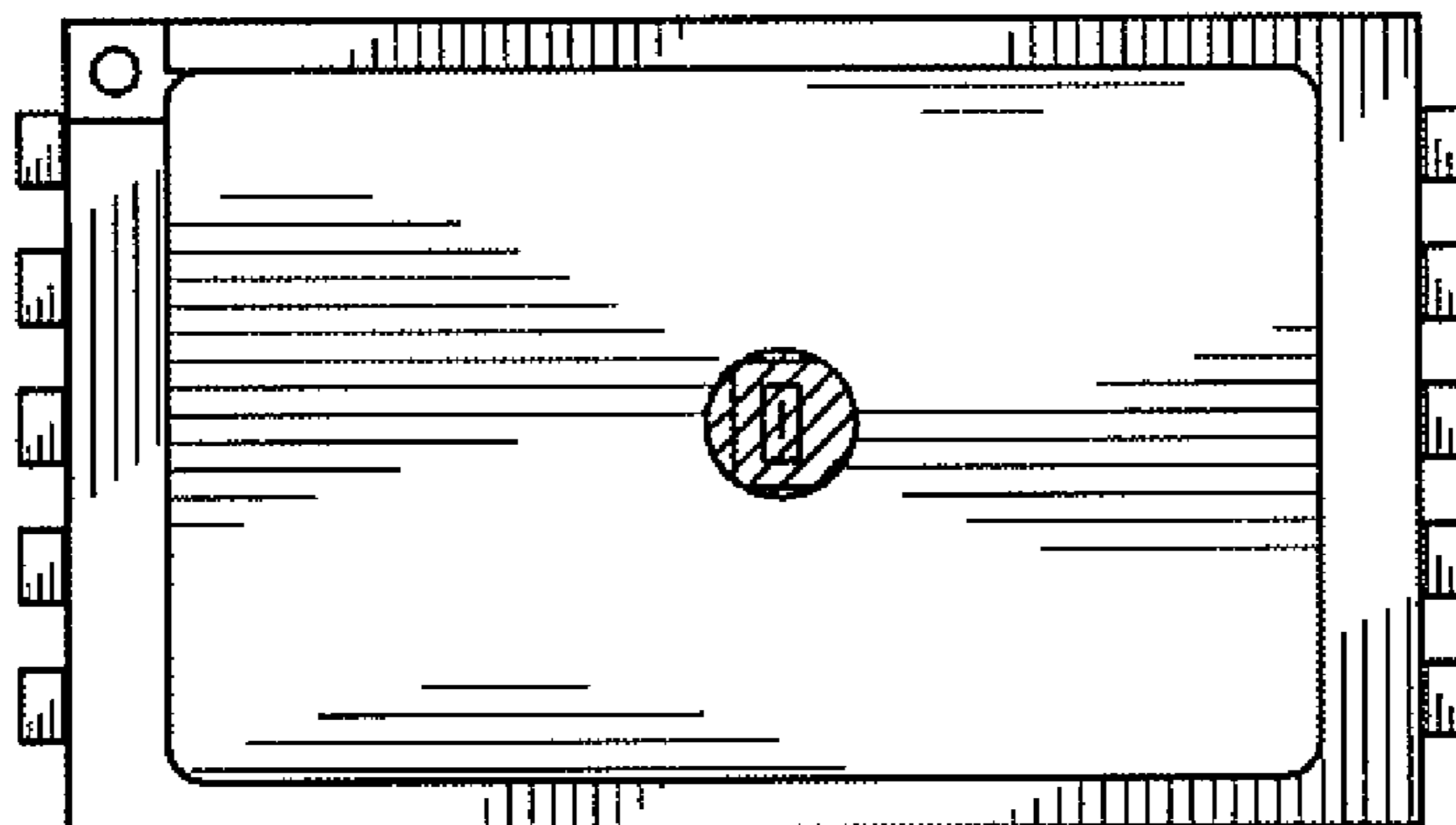


FIG. **38** is a rear view thereof;

FIG. **39** is a top plan view thereof;

FIG. **40** is a bottom view thereof;

FIG. **41** is a right side view thereof;

FIG. **42** is a left side view thereof;

FIG. **43** is a perspective view thereof;

FIG. **44** is a top view of a tenth embodiment; and,

FIG. **45** is a reference view thereof.

The broken lines illustrated are for illustration purposes only and form no part of the claimed design.

1 Claim, 10 Drawing Sheets

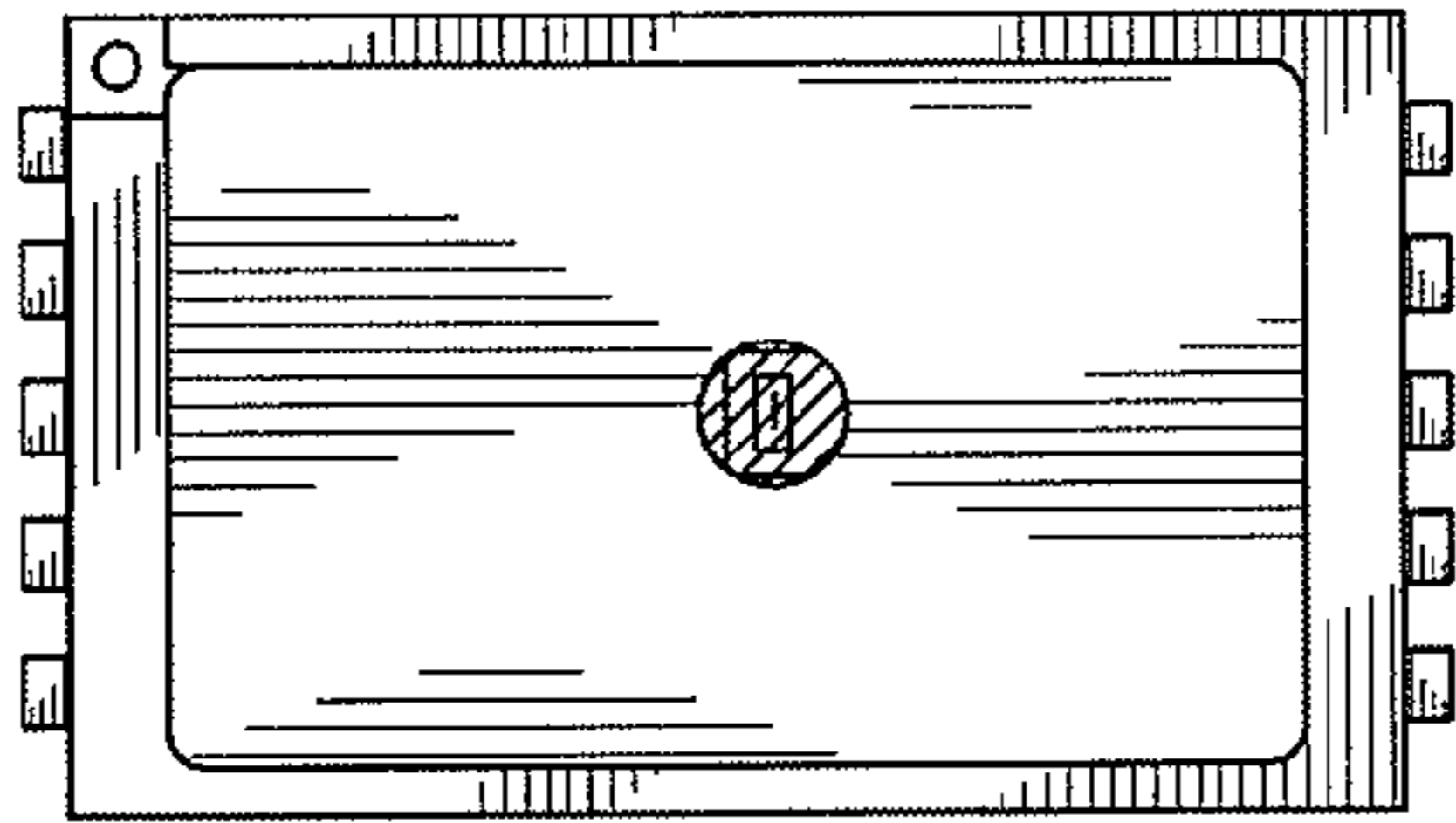


FIG. 1

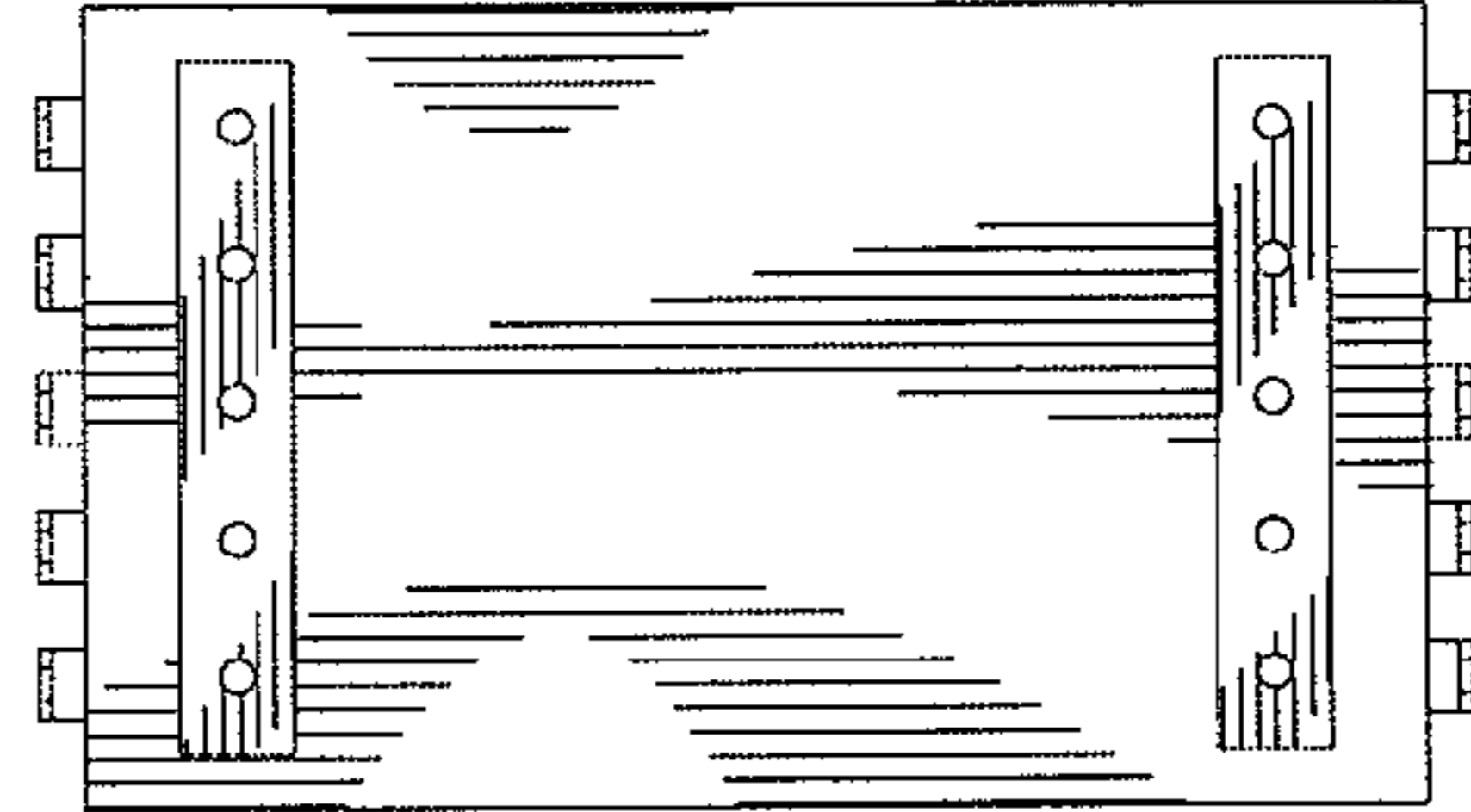


FIG. 2

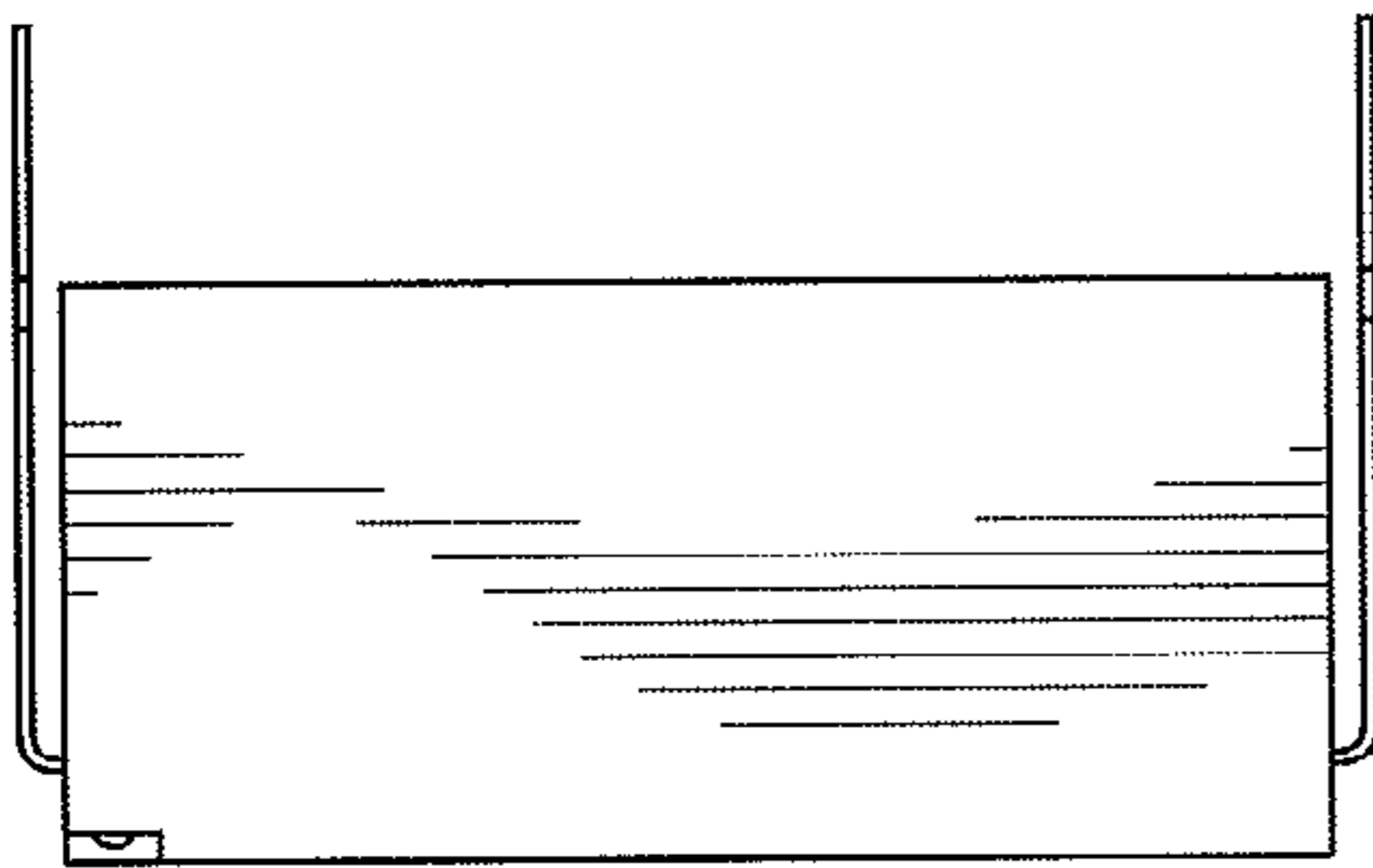


FIG. 3

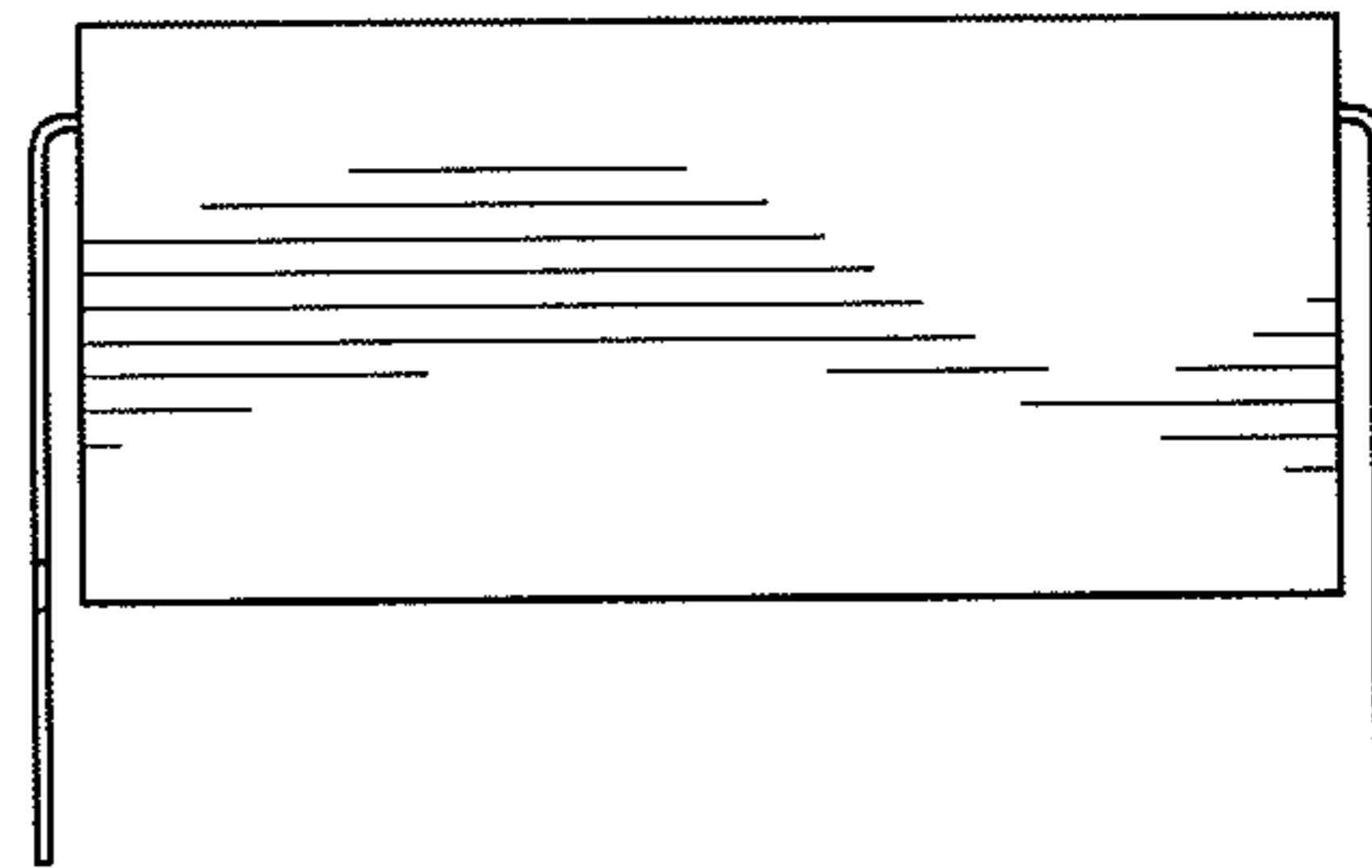


FIG. 4

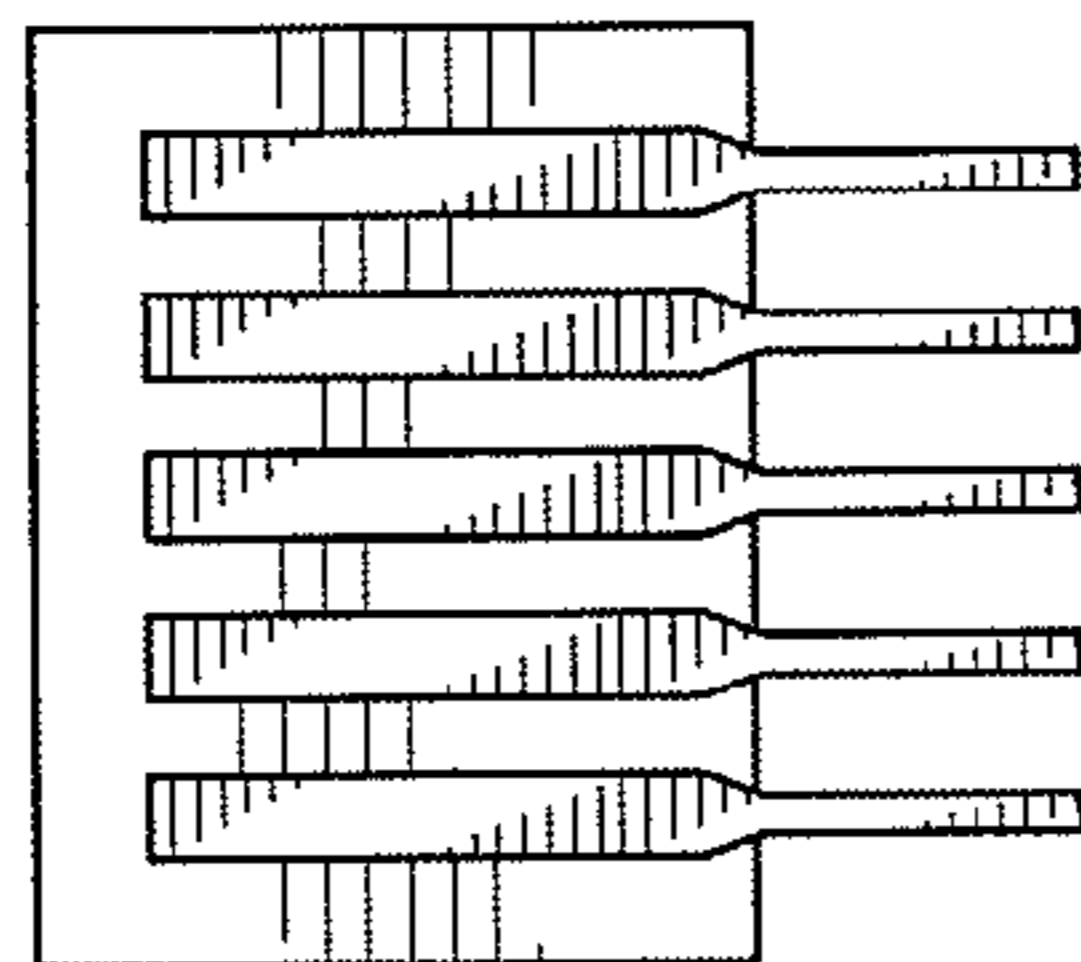


FIG. 5

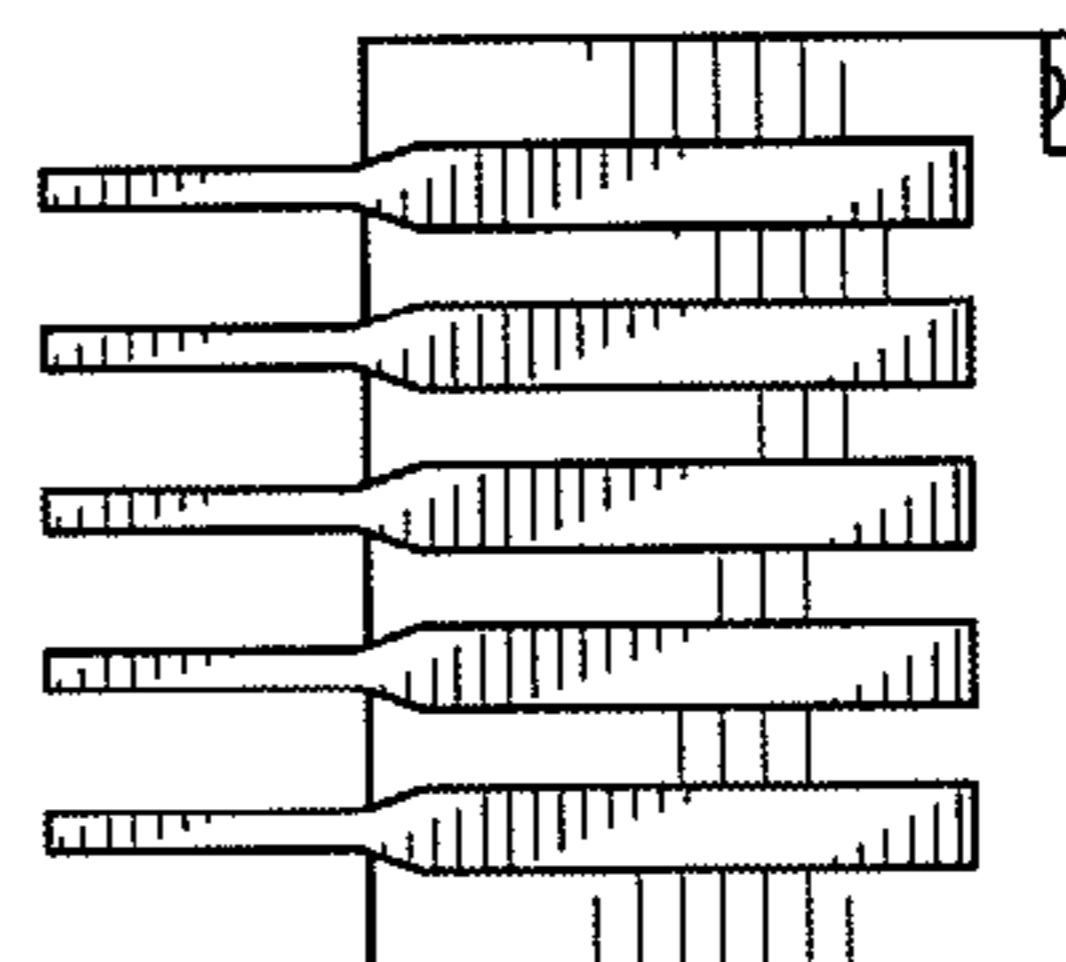


FIG. 6

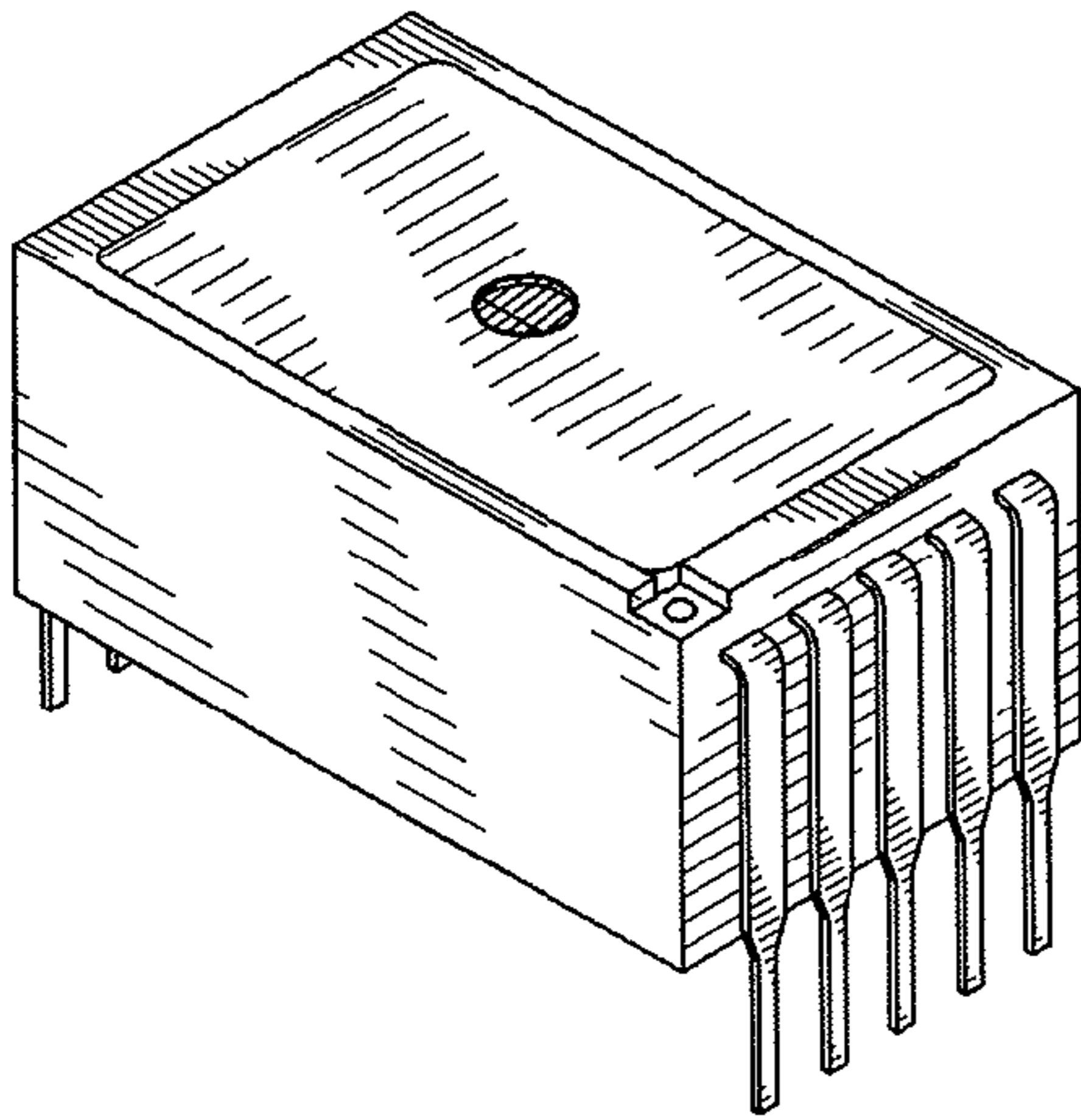


FIG. 7

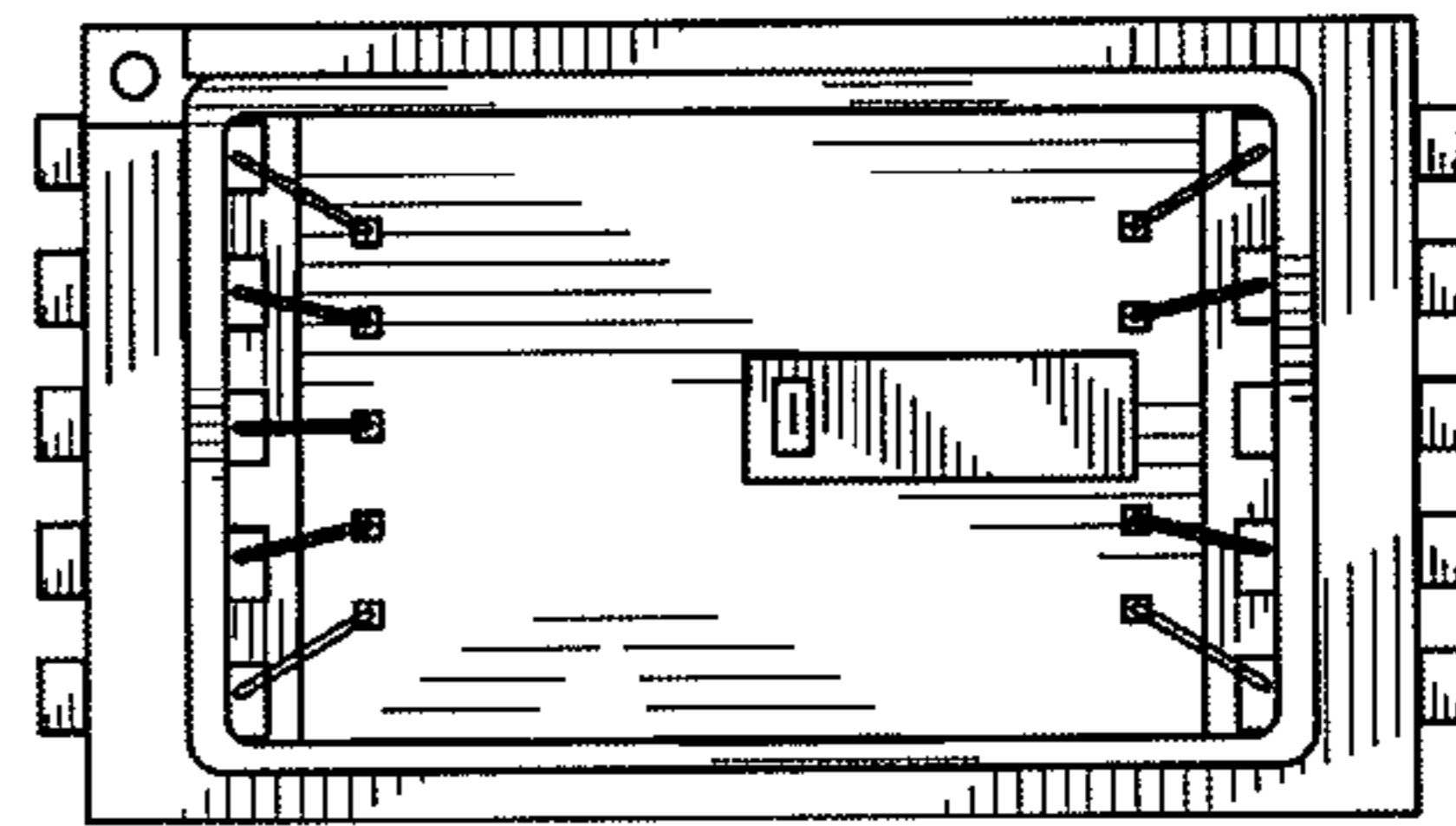


FIG. 8

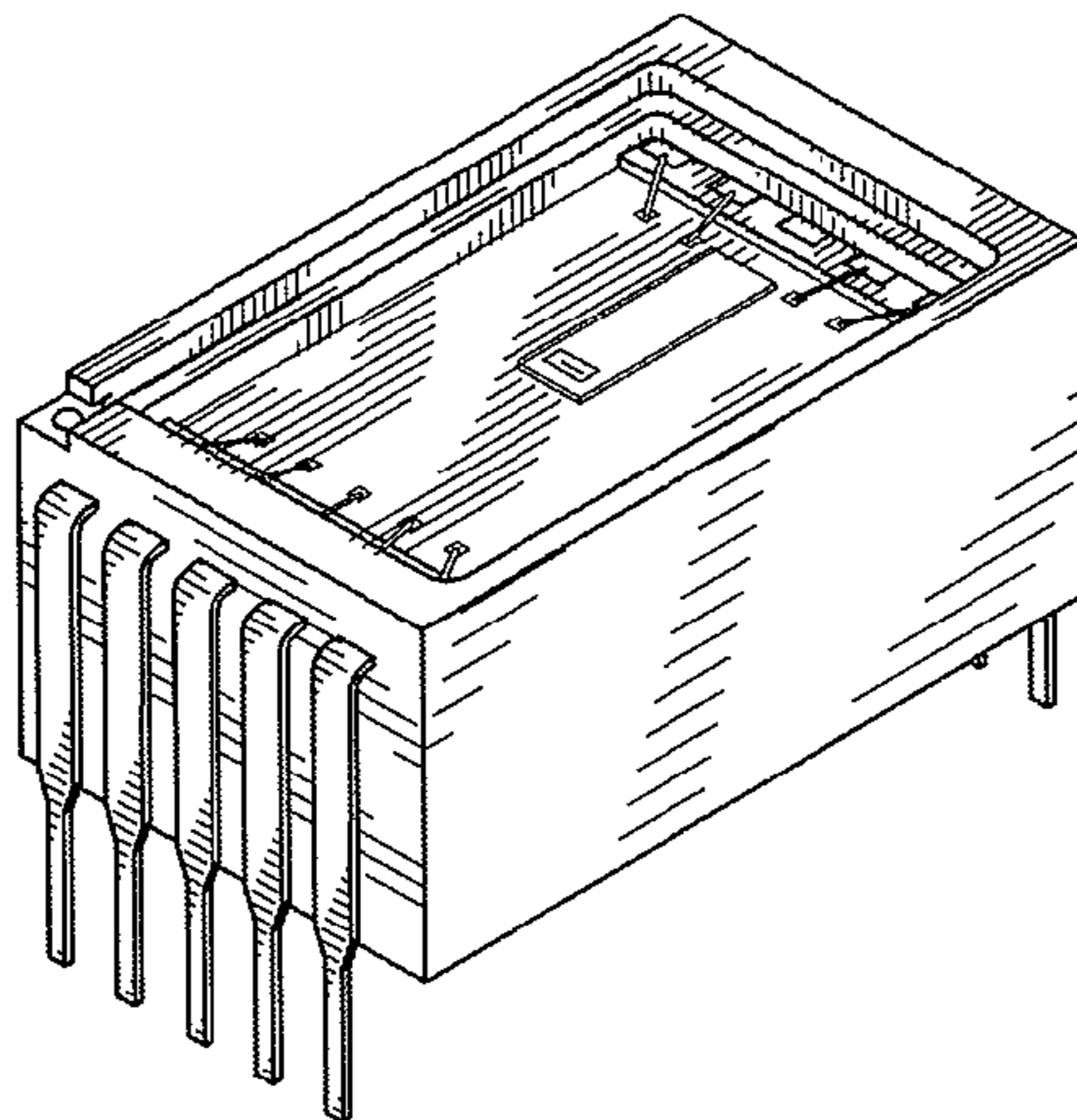


FIG. 9

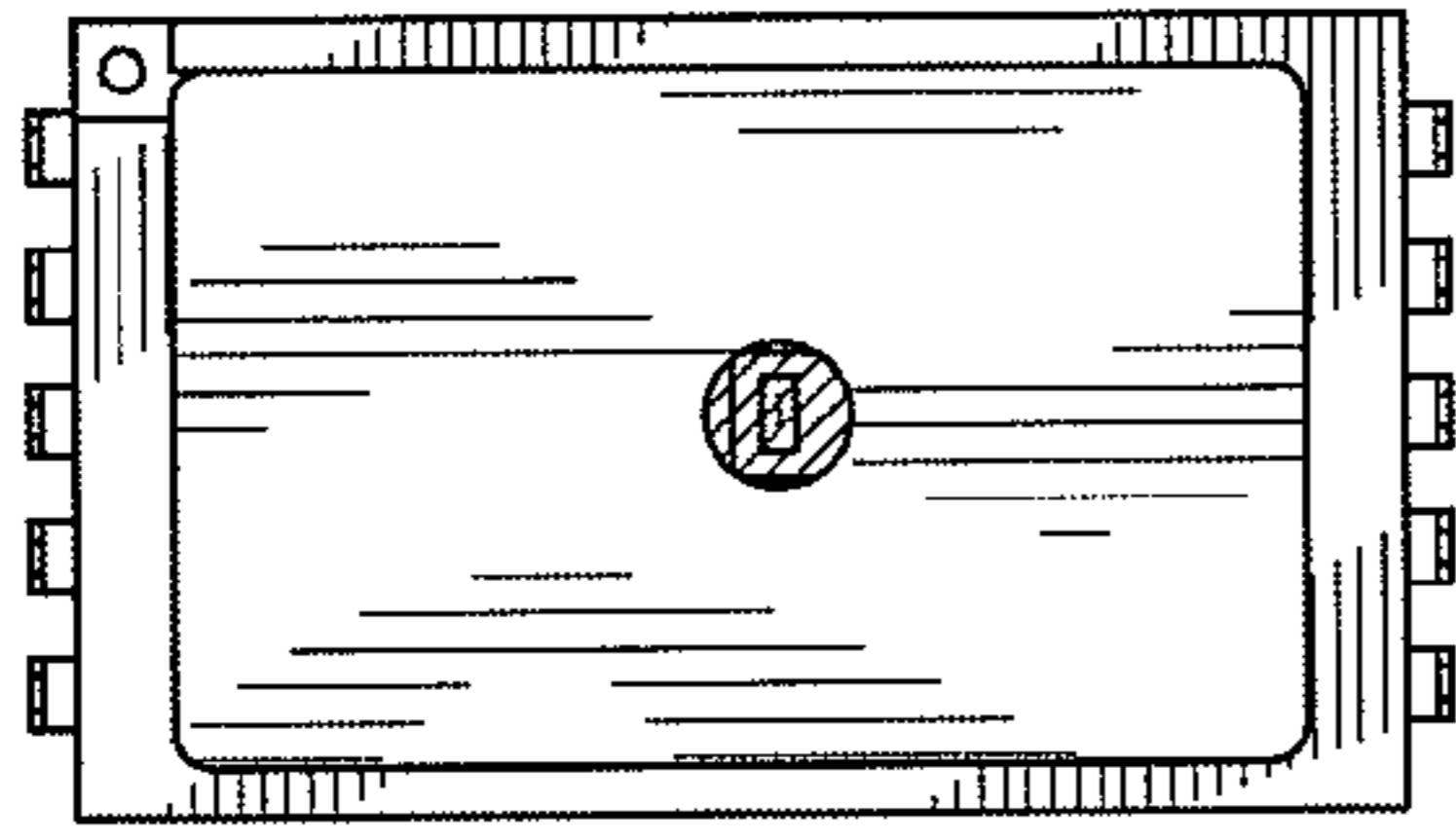


FIG. 10

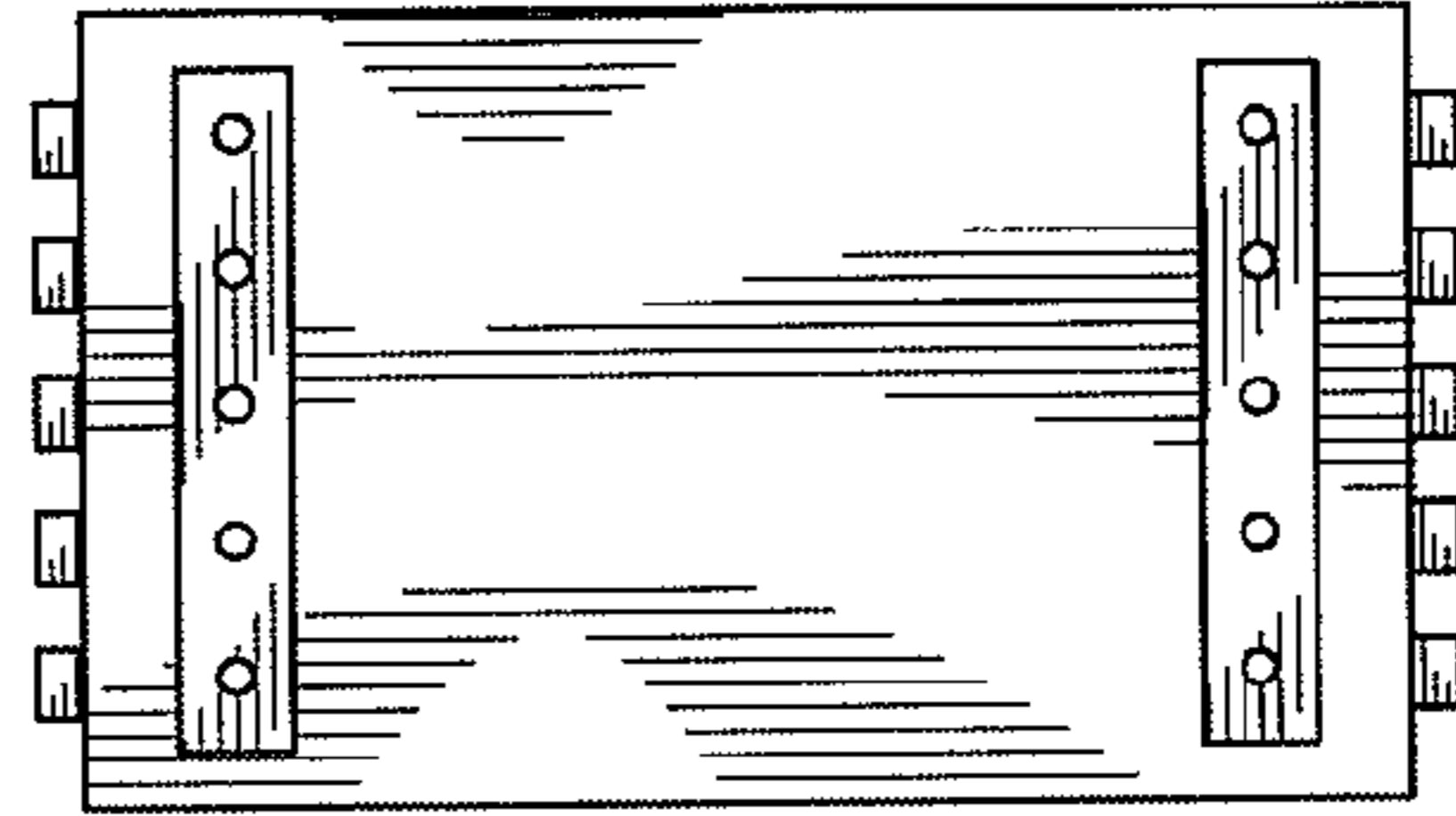


FIG. 11

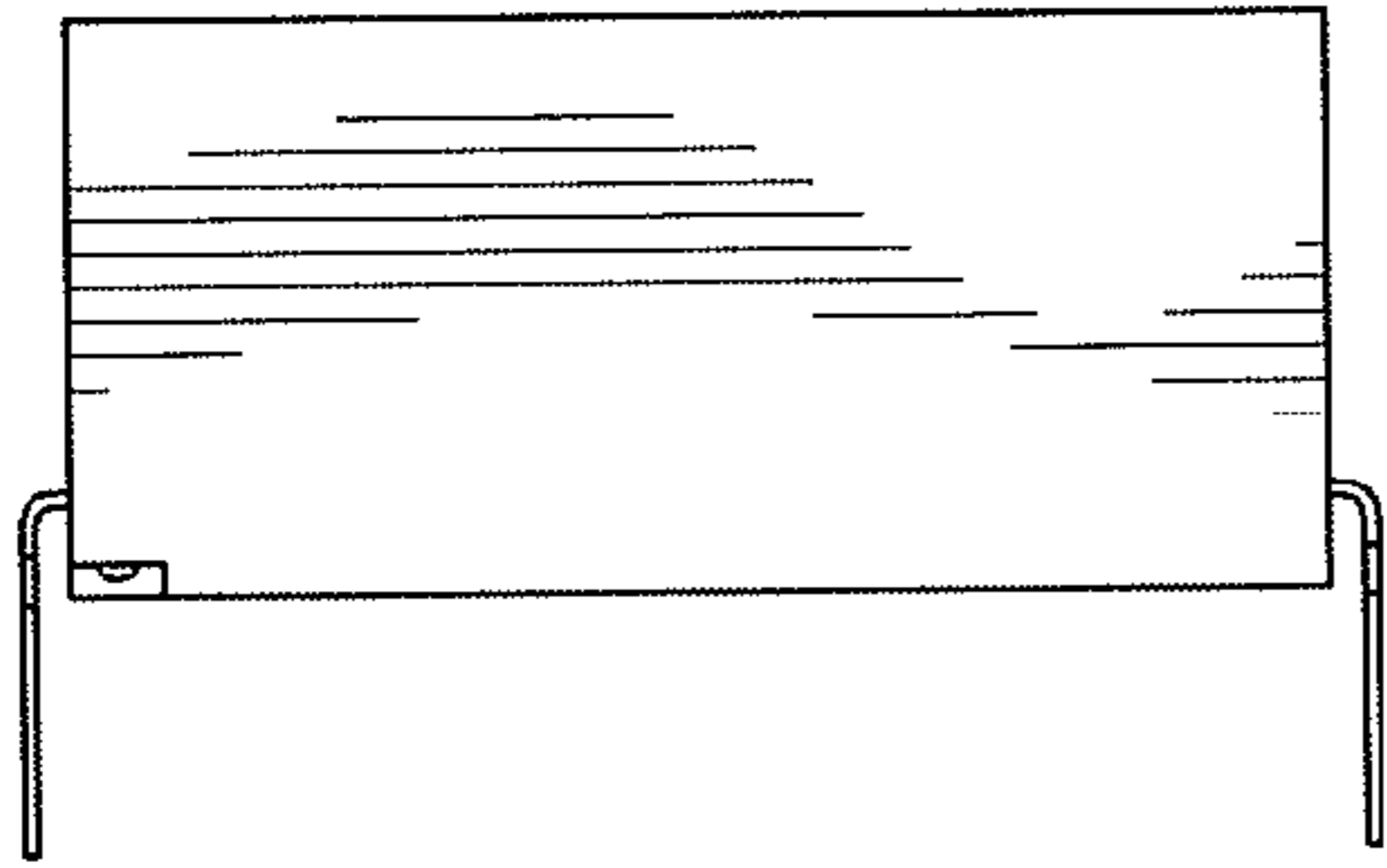


FIG. 12

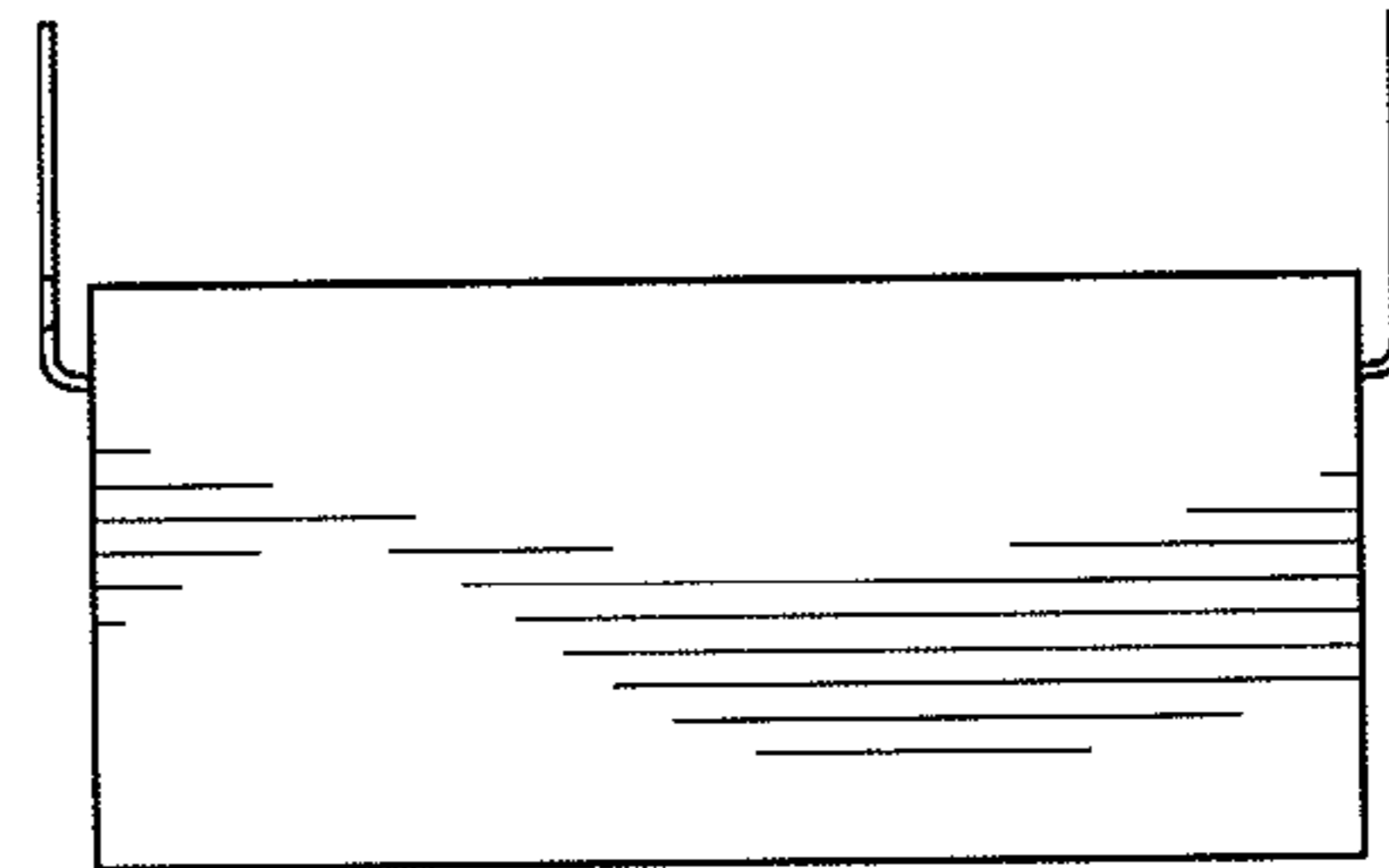


FIG. 13

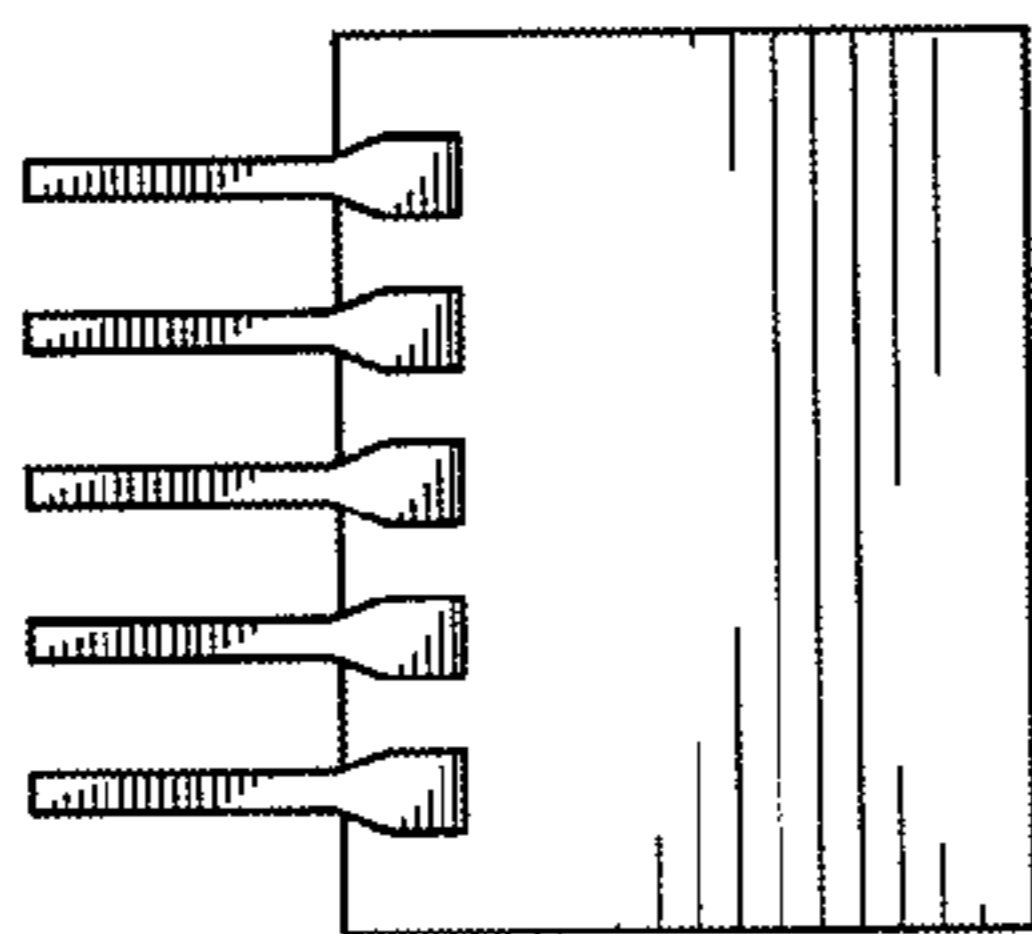


FIG. 14

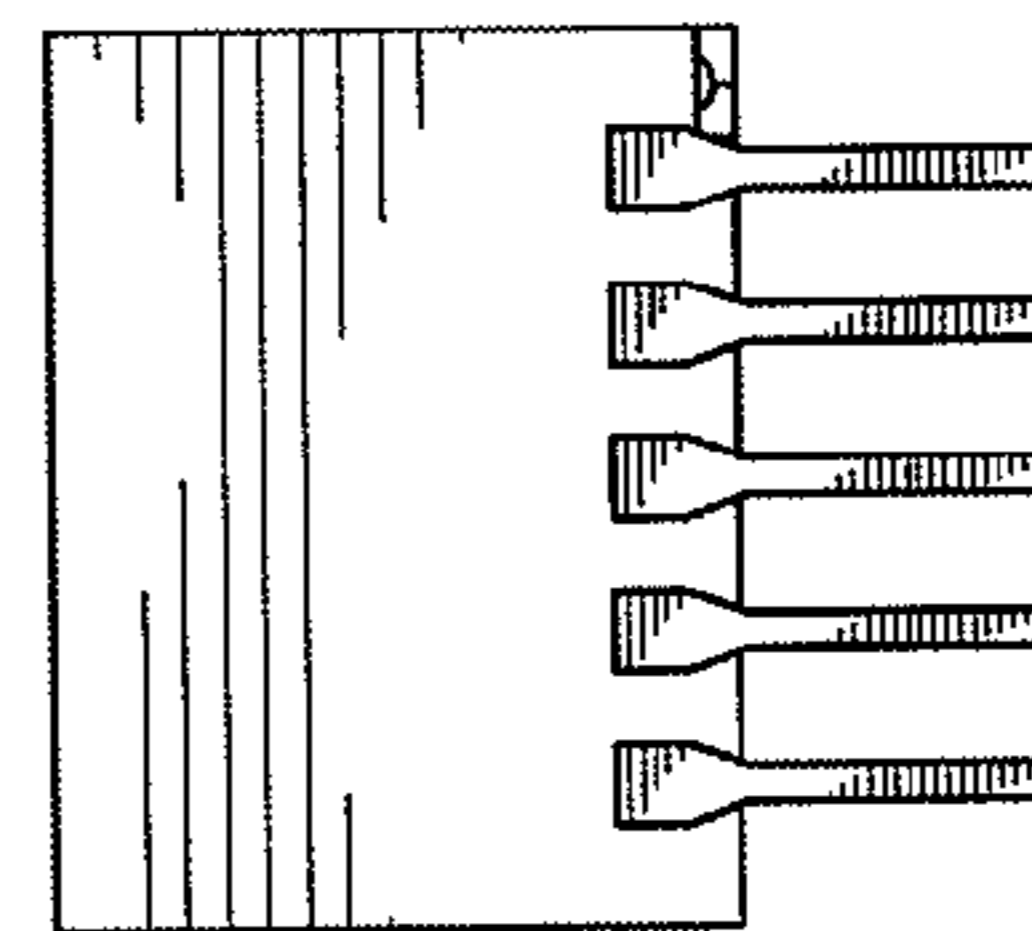


FIG. 15

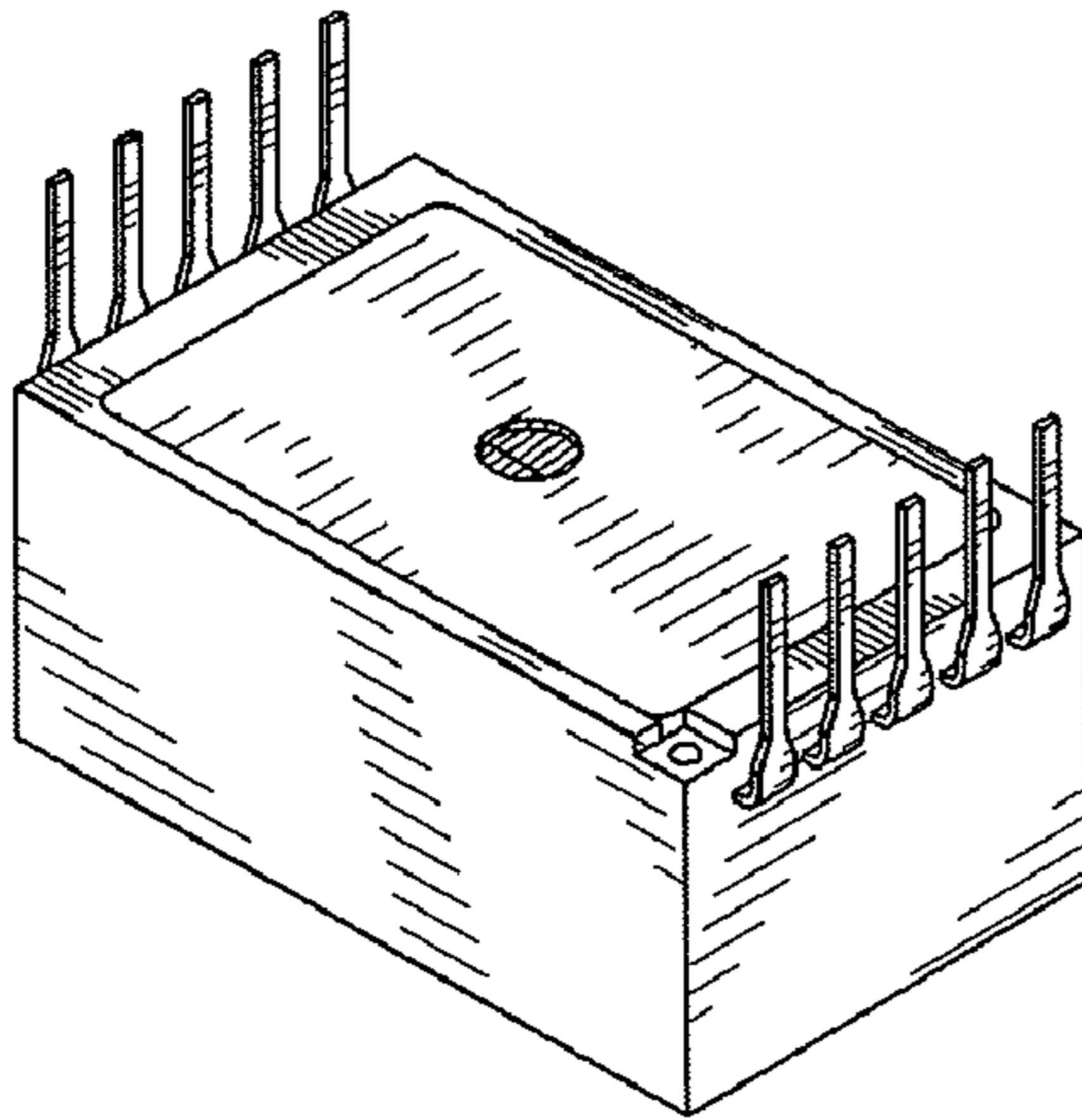


FIG. 16

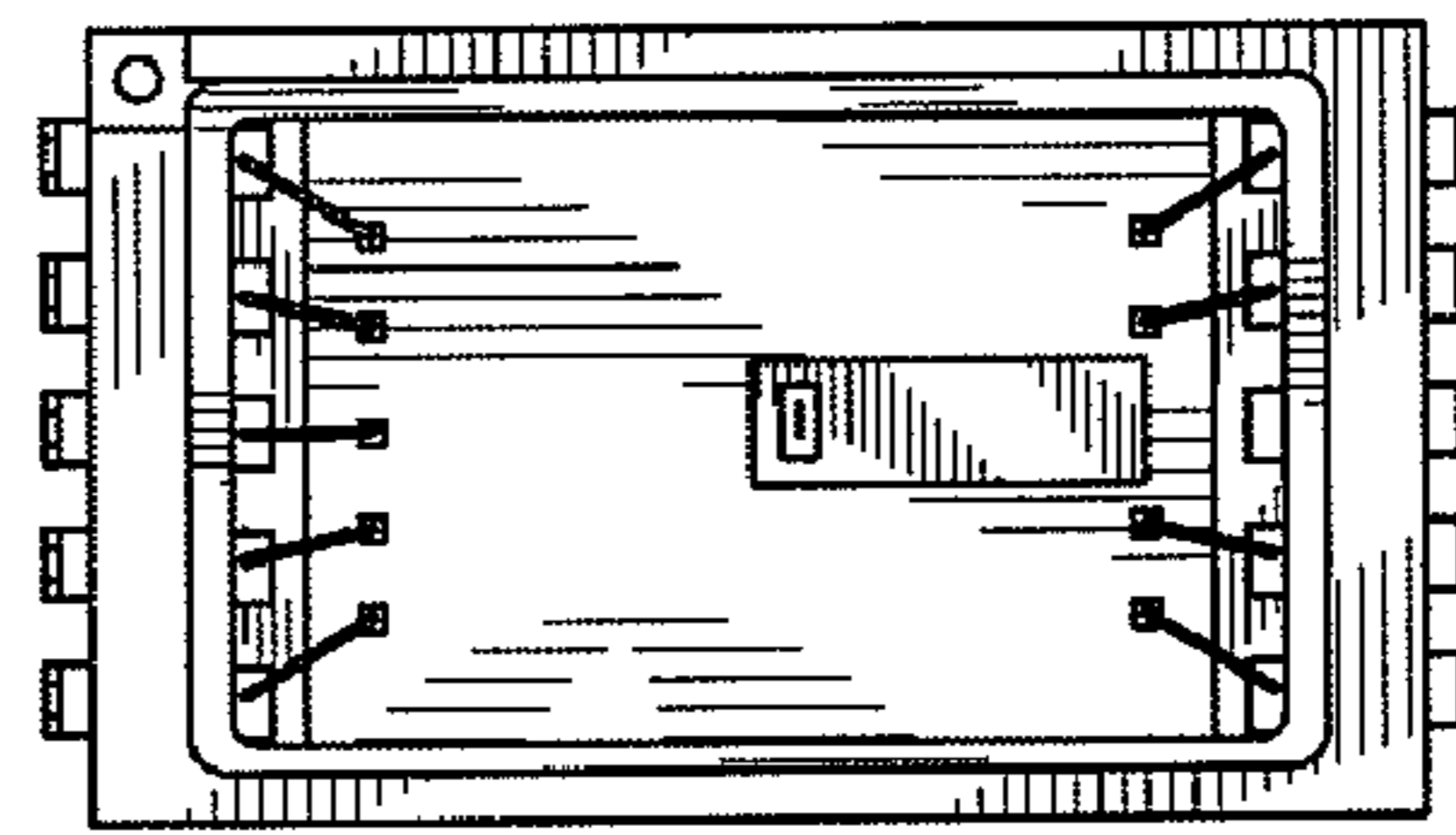


FIG. 17

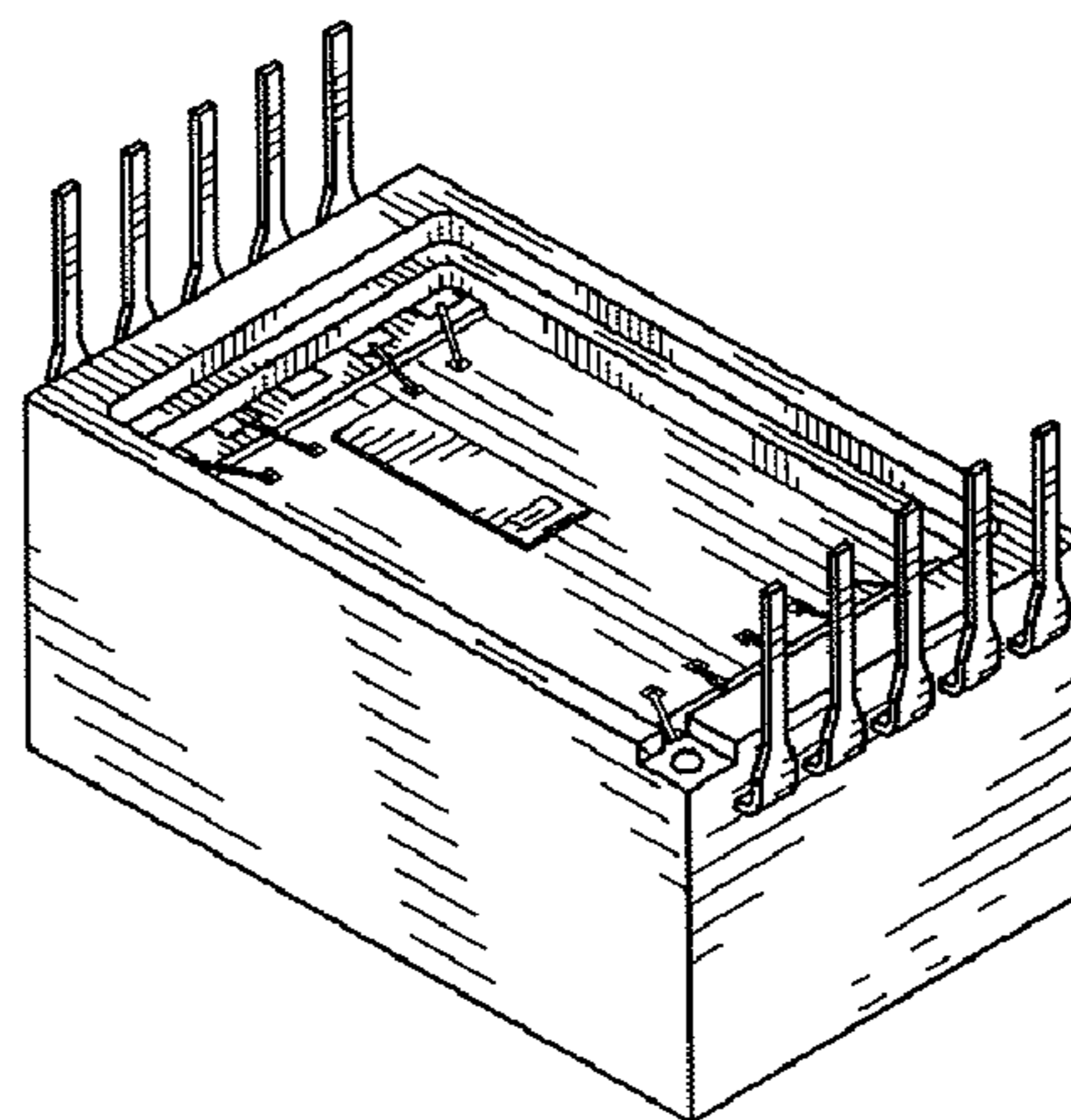


FIG. 18

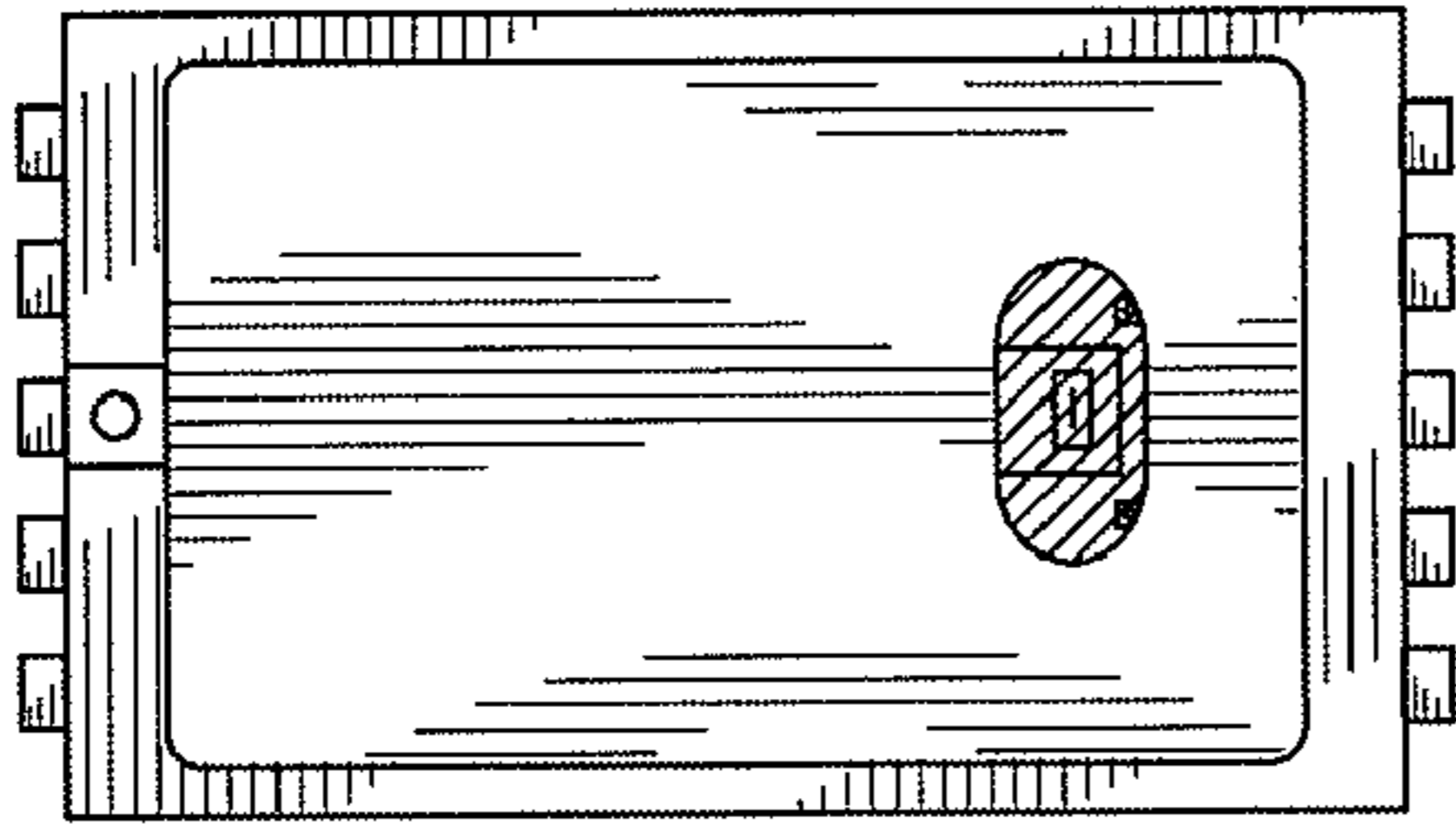


FIG. 19

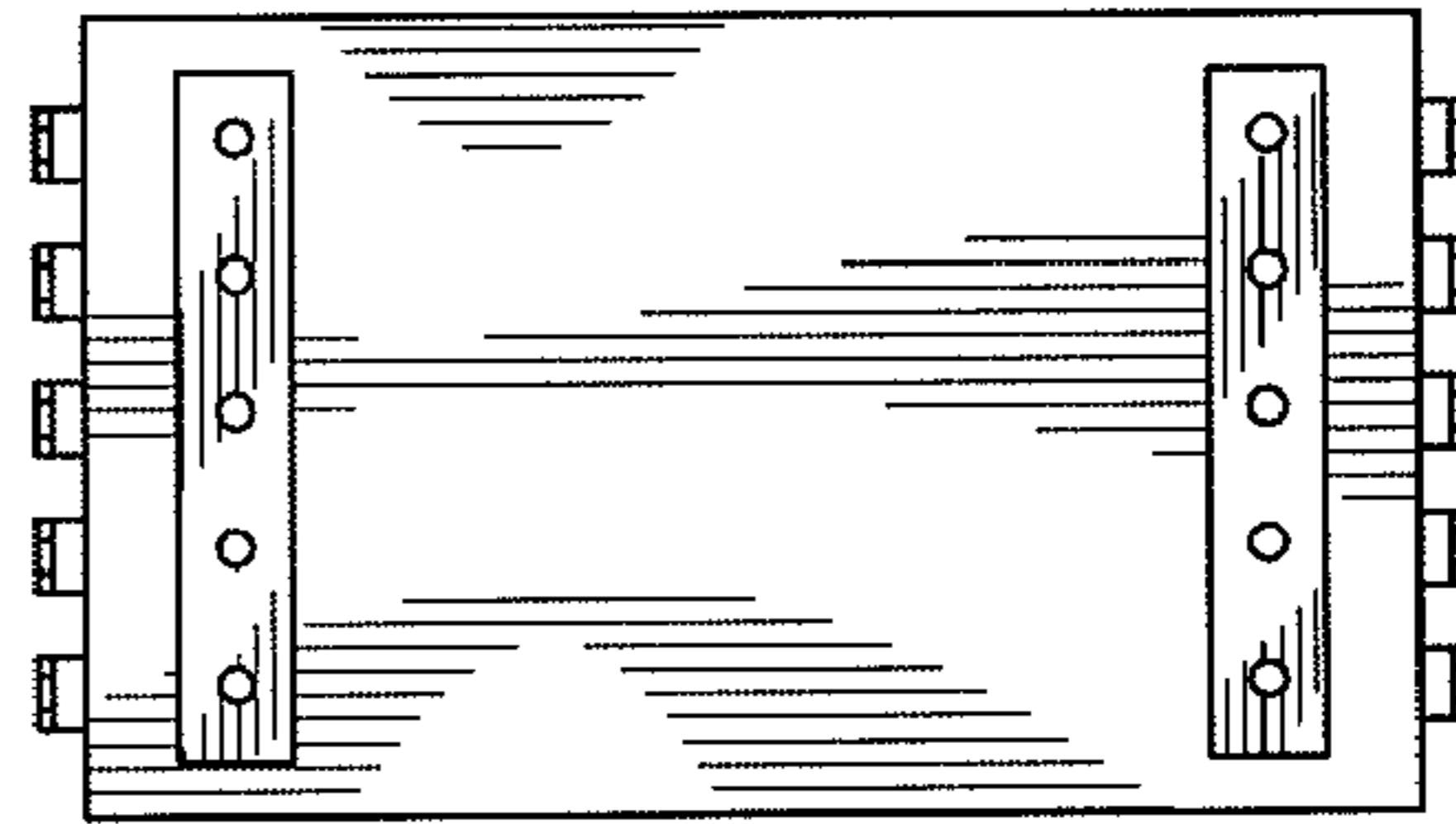


FIG. 20

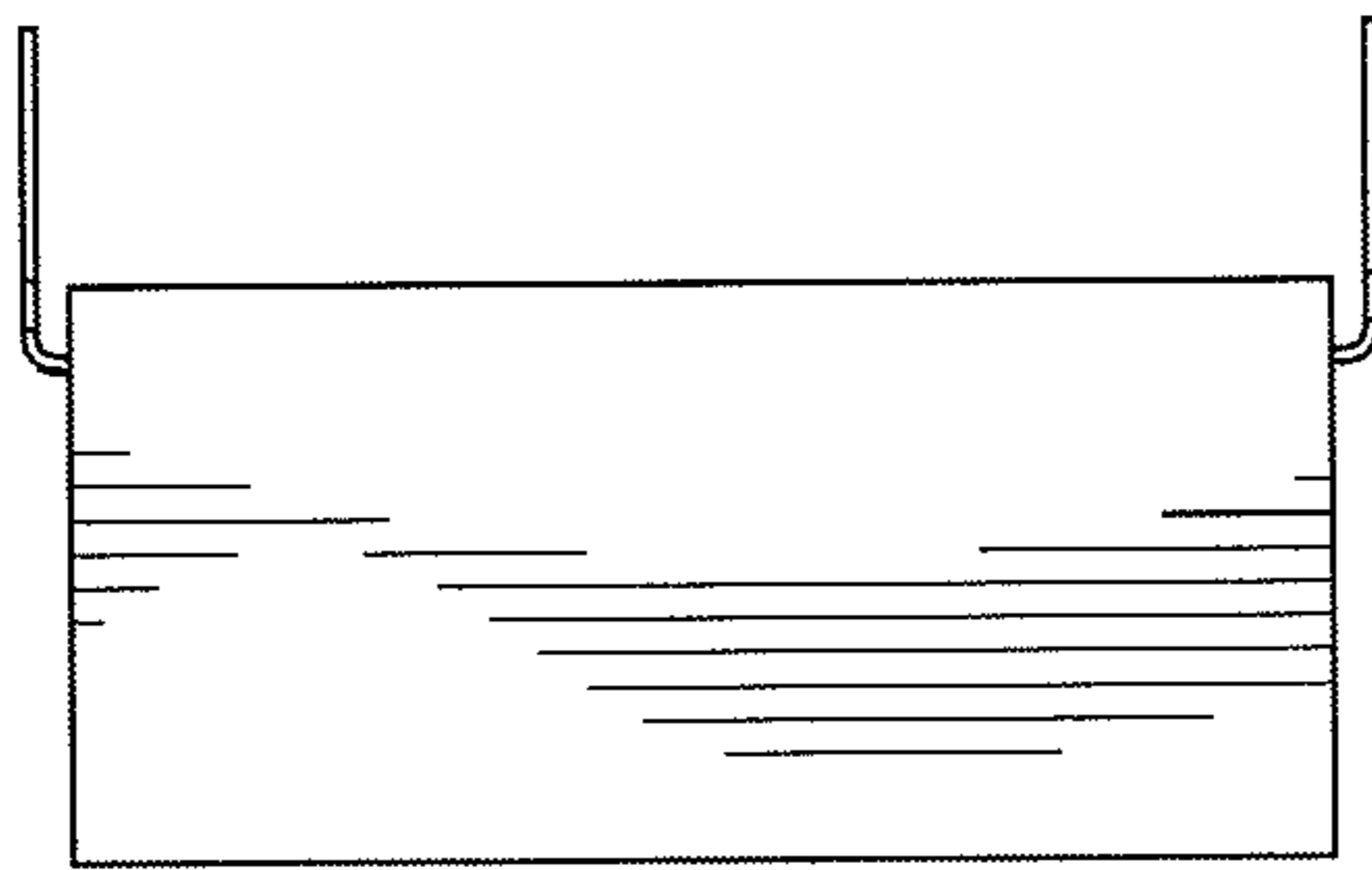


FIG. 21

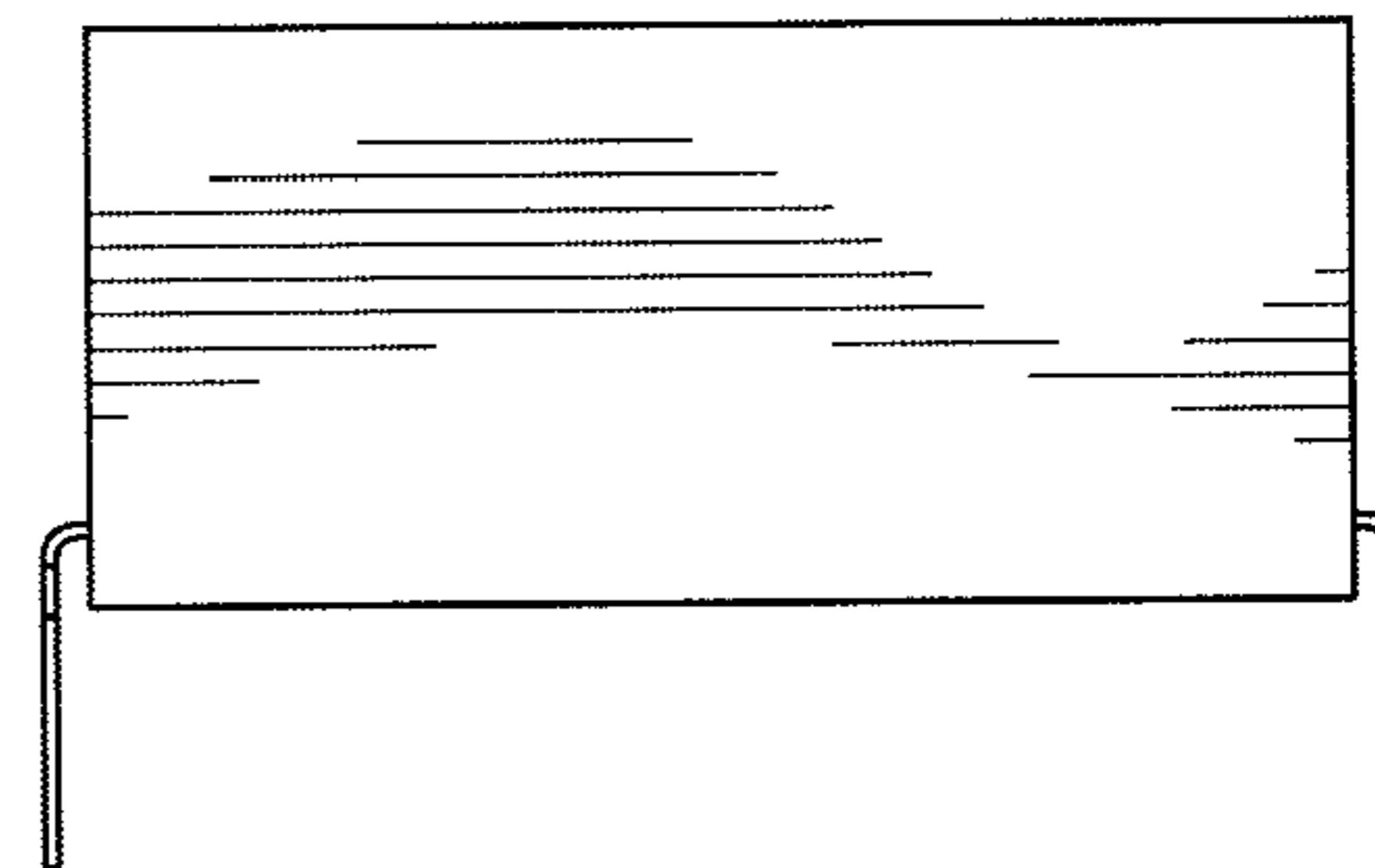


FIG. 22

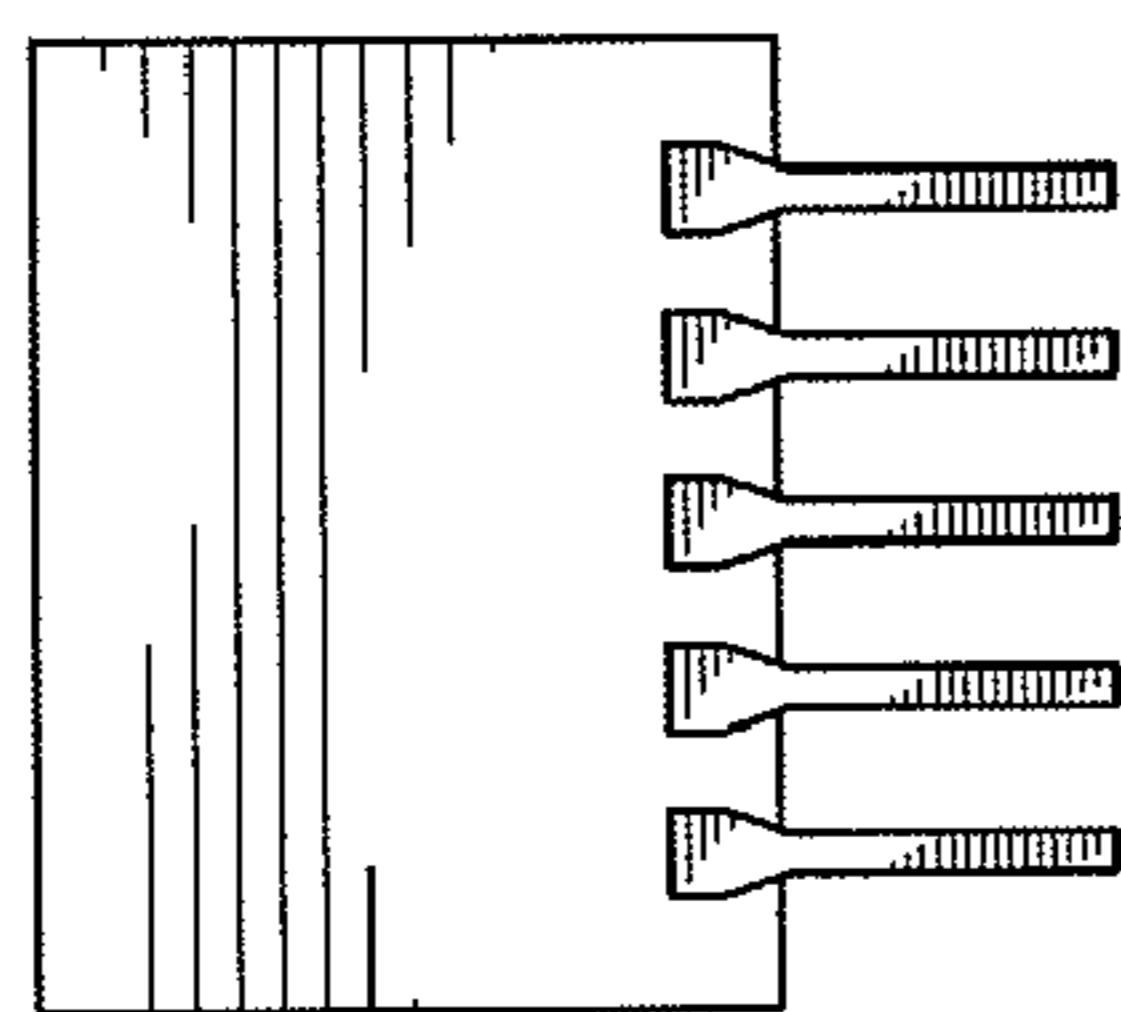


FIG. 23

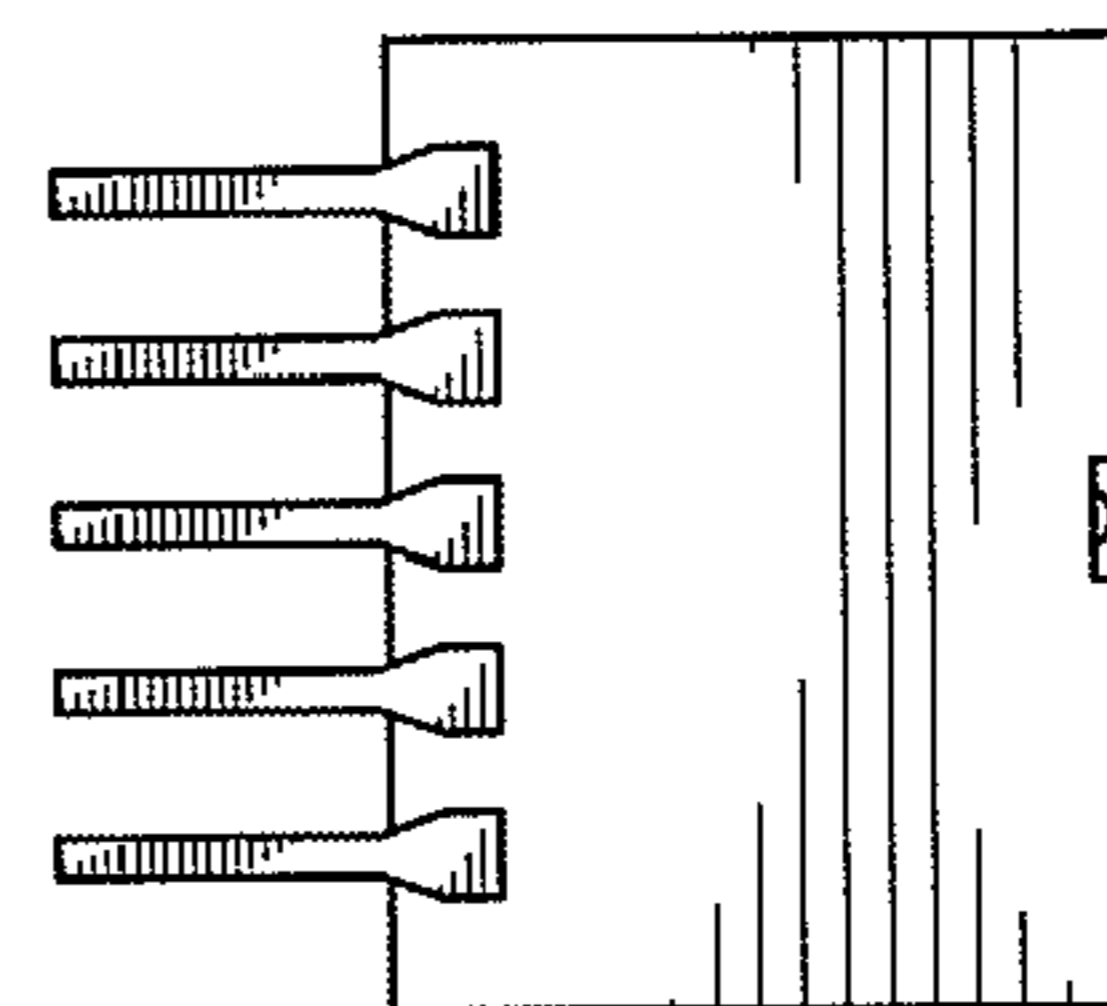


FIG. 24

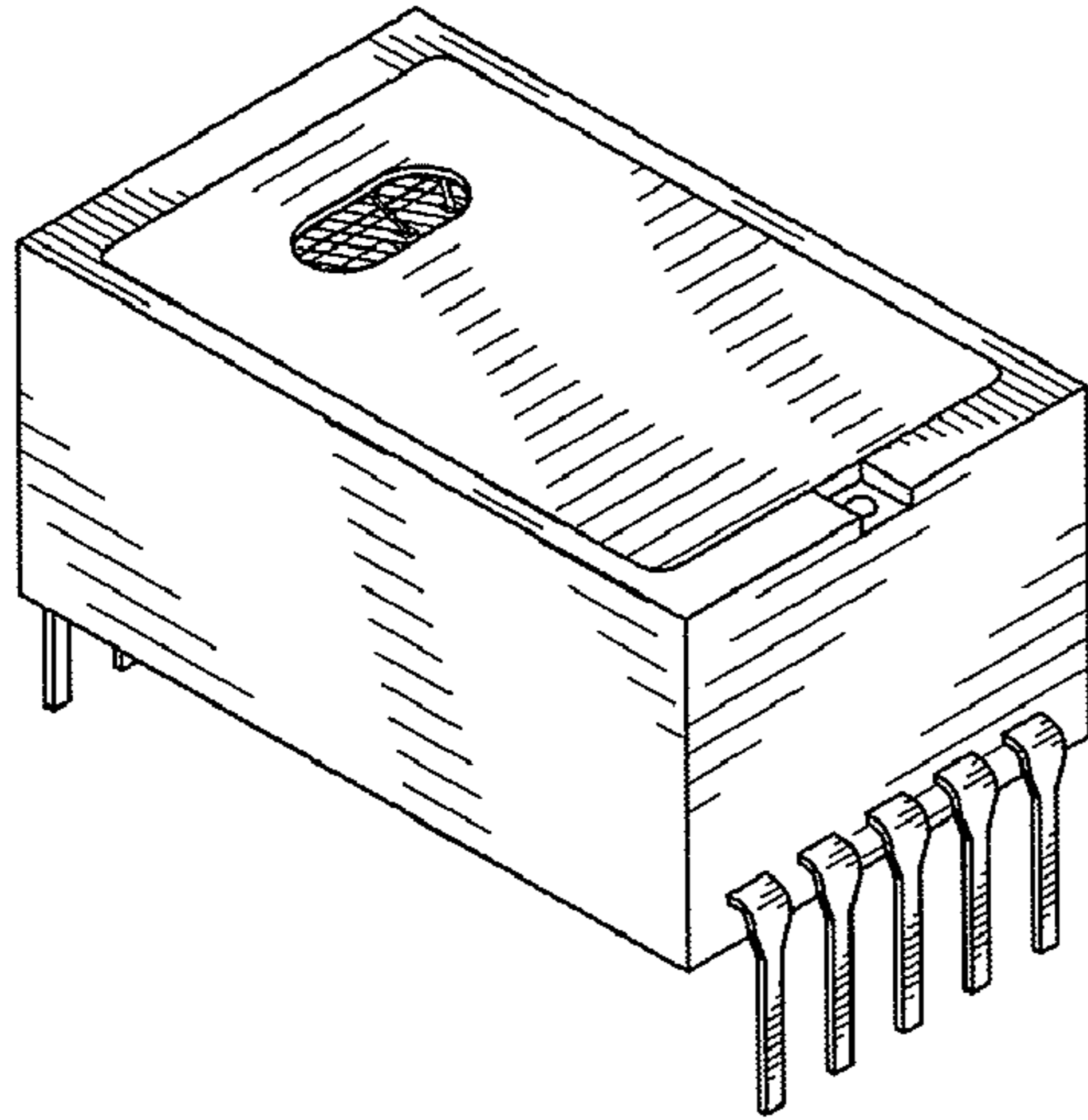


FIG. 25

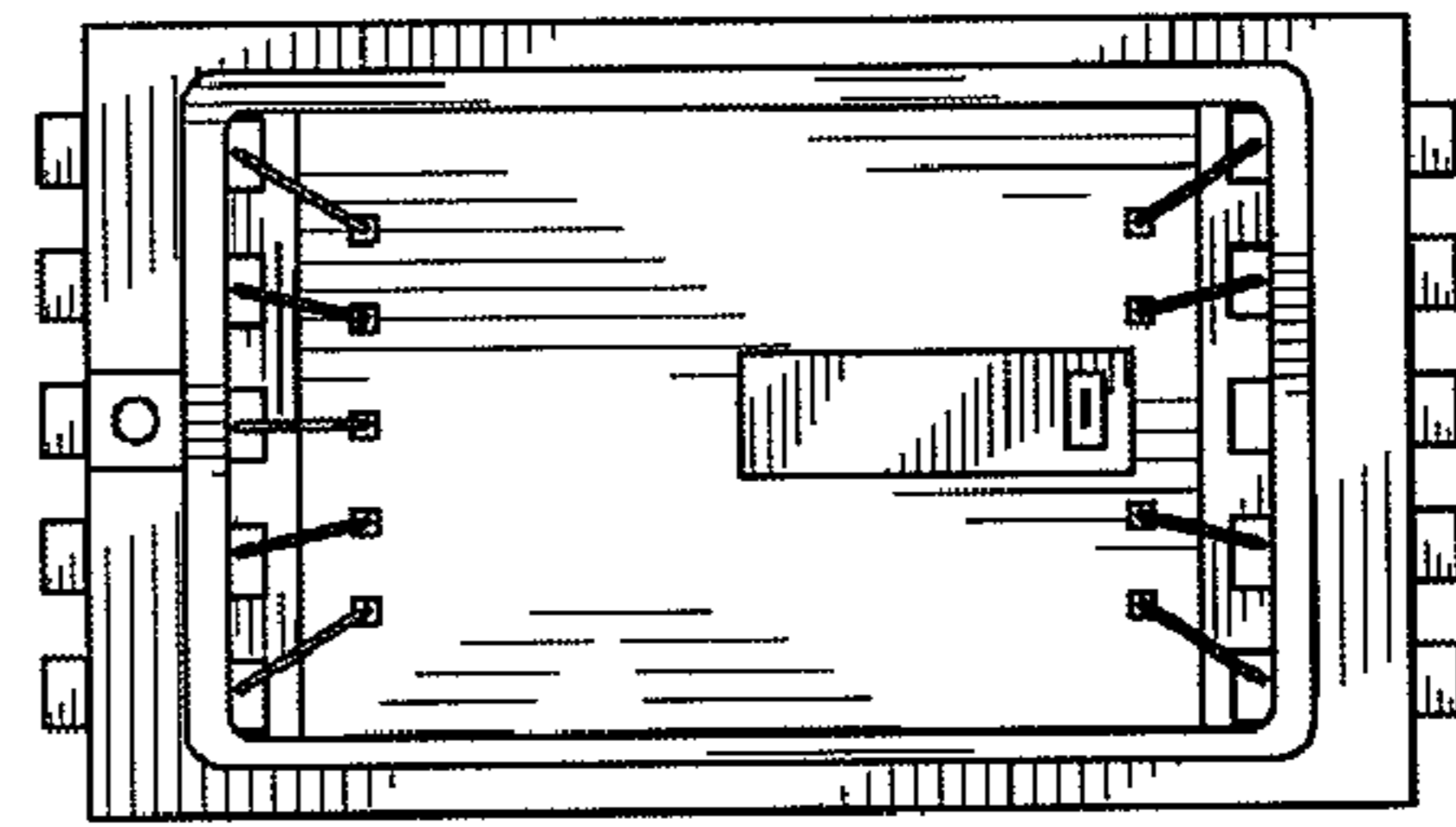


FIG. 26

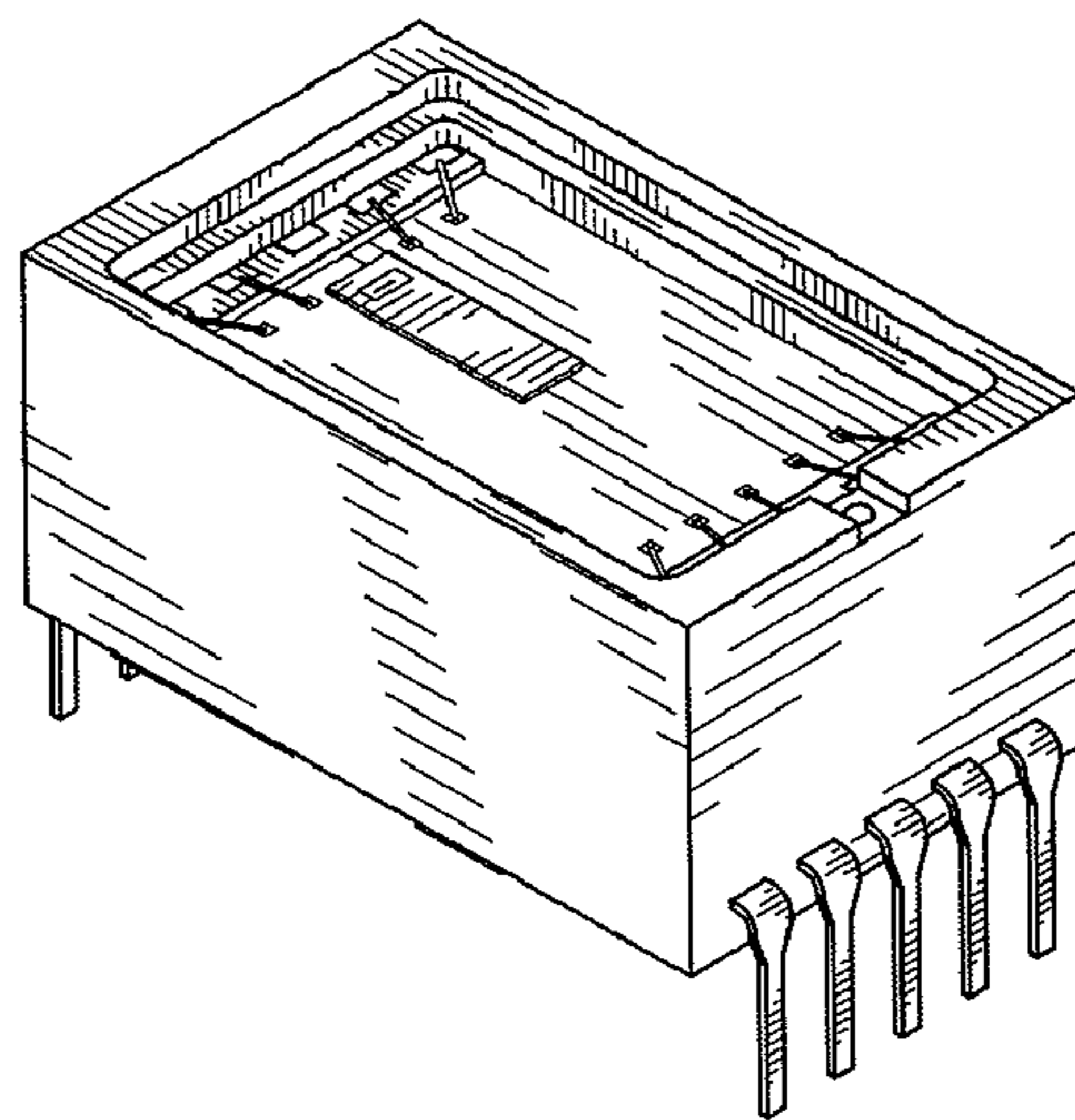


FIG. 27

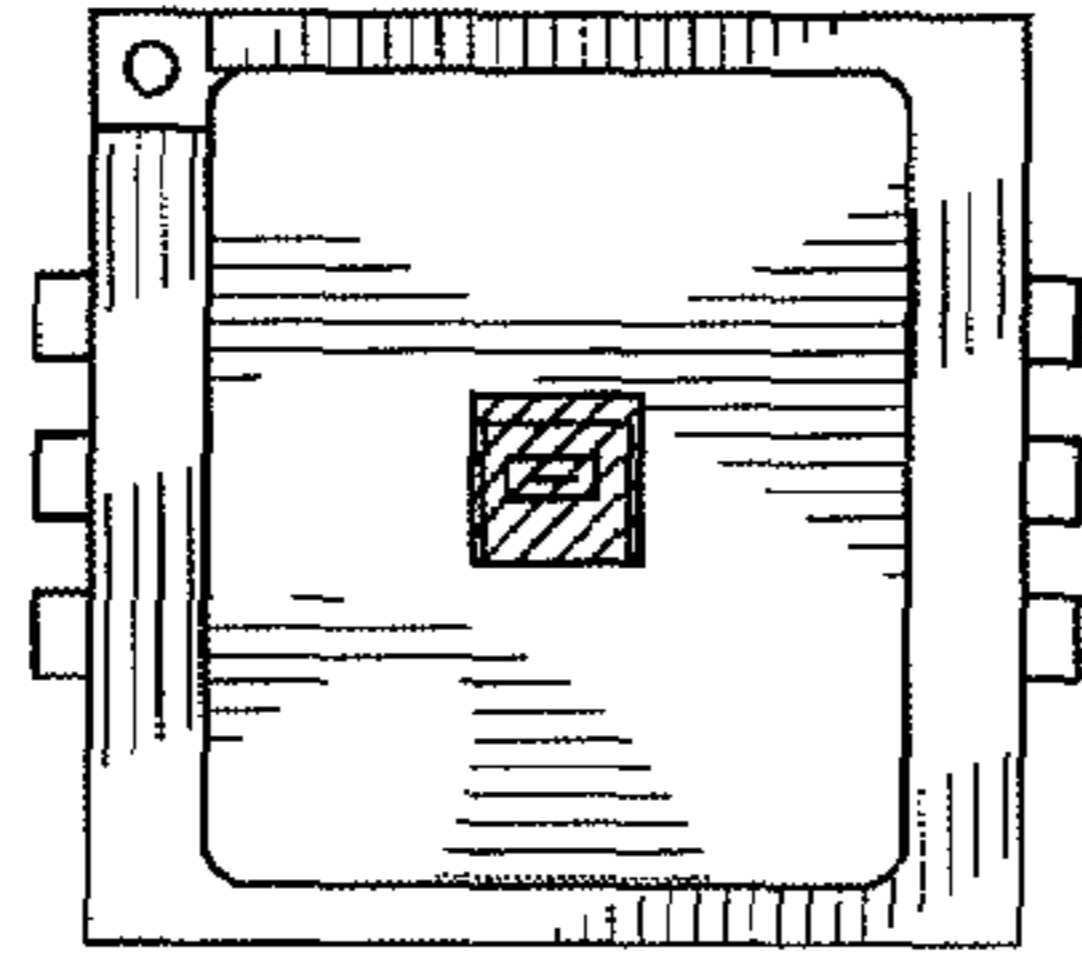


FIG. 28

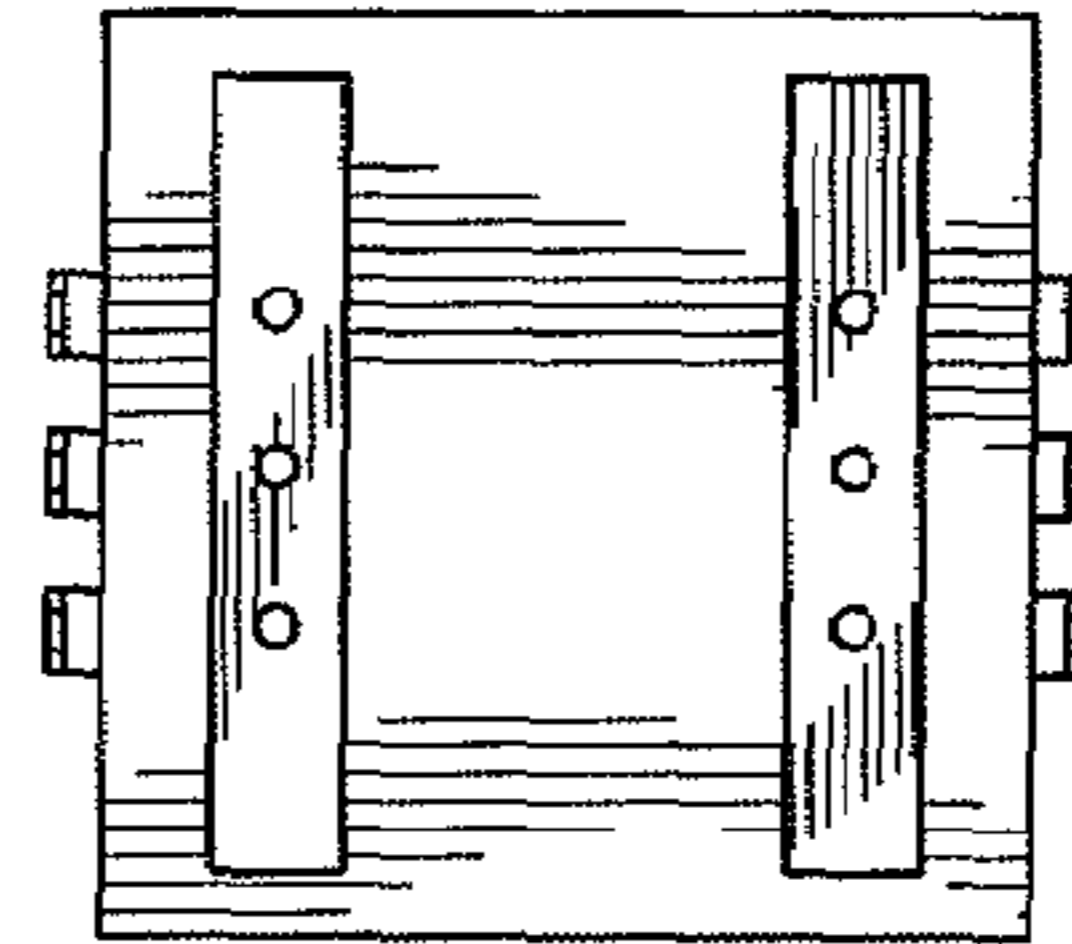


FIG. 29

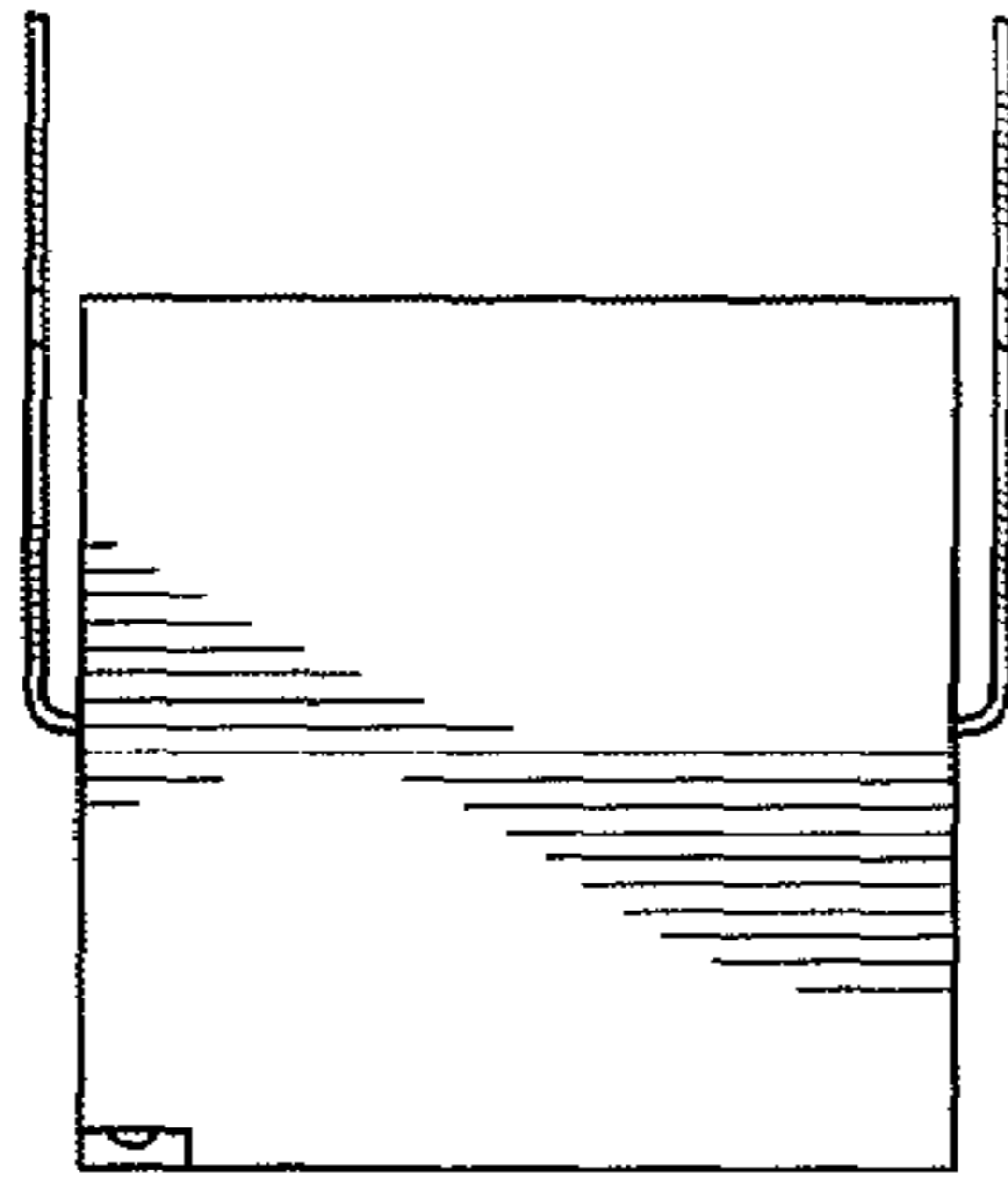


FIG. 30

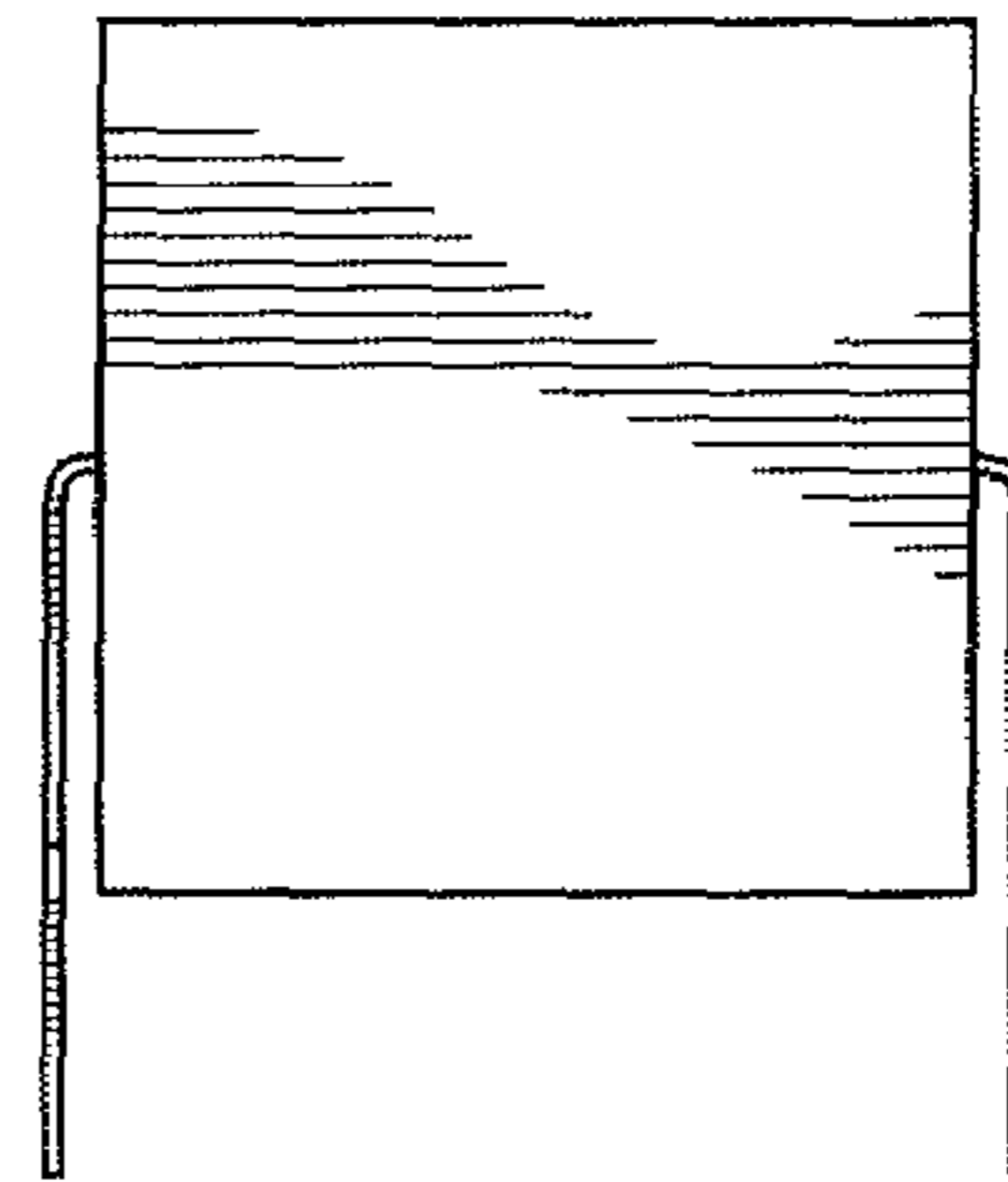


FIG. 31

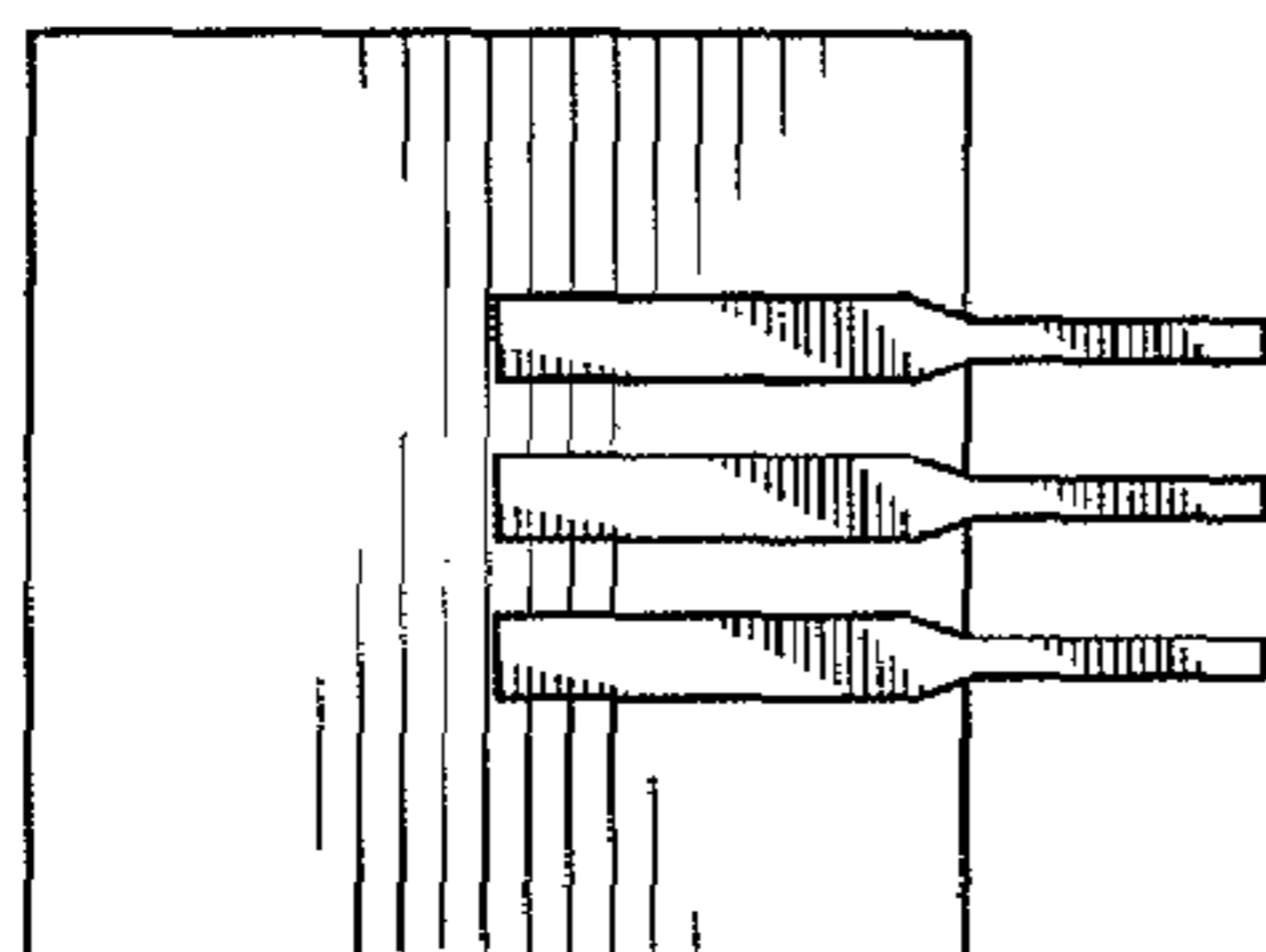


FIG. 32

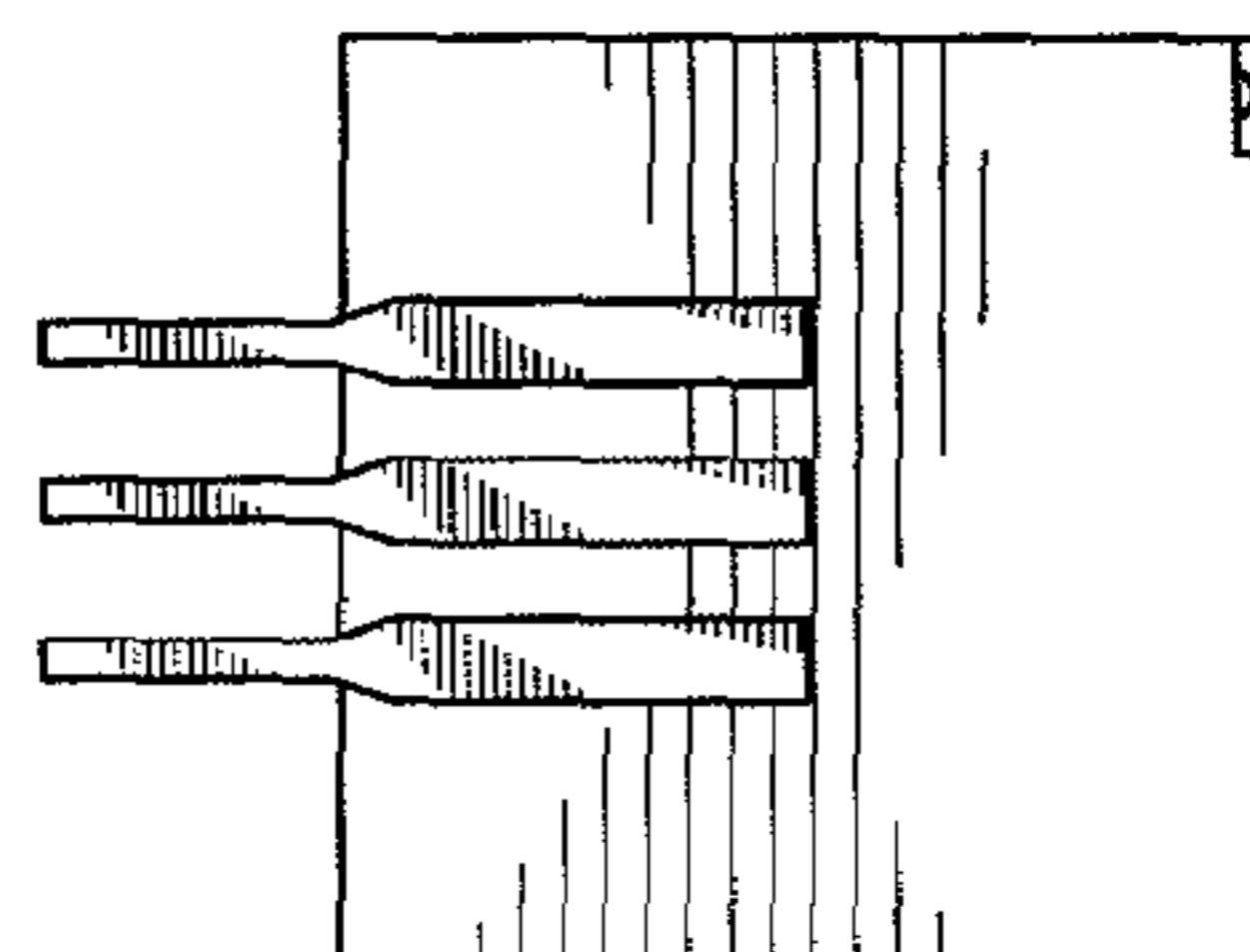


FIG. 33

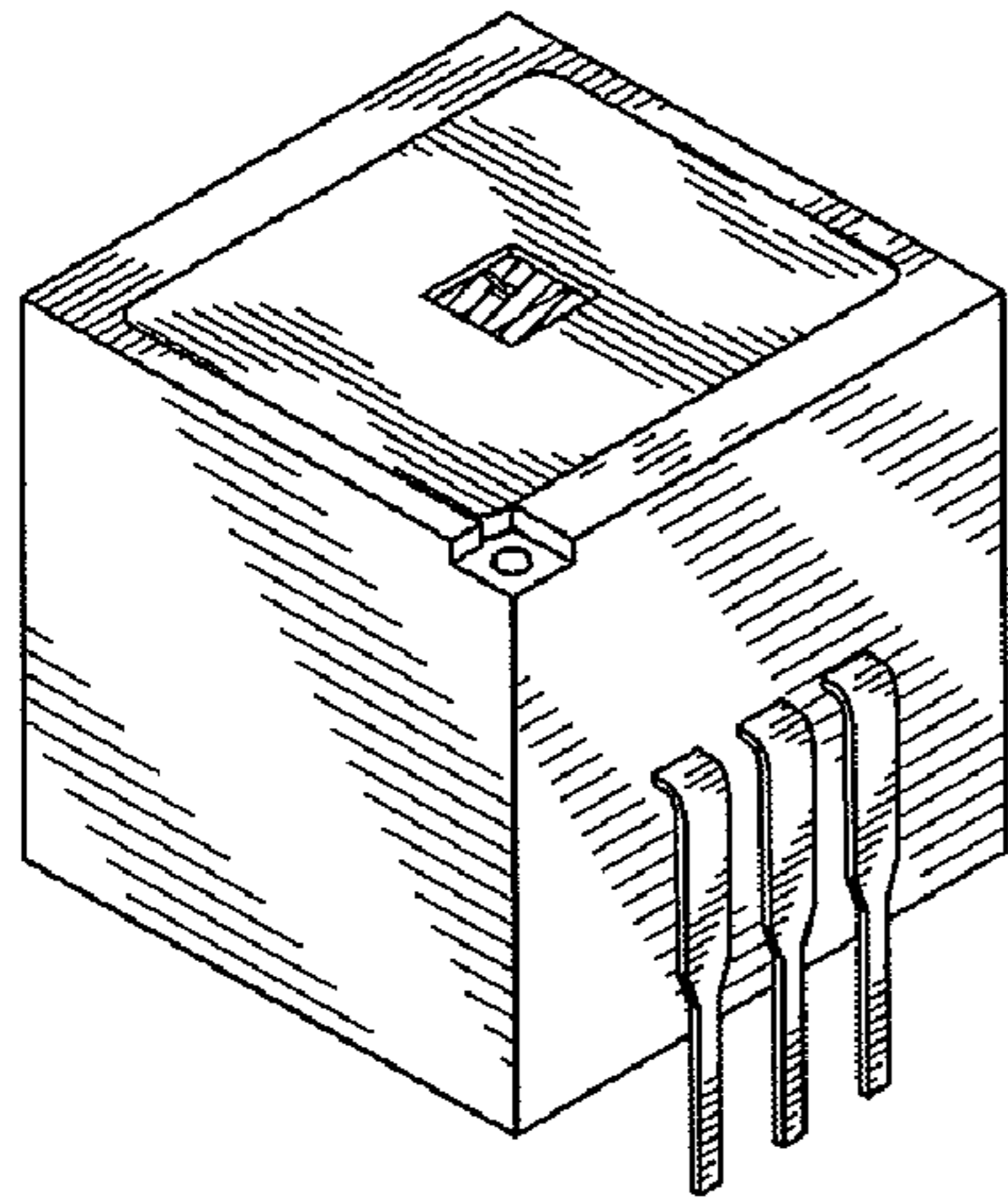


FIG. 34

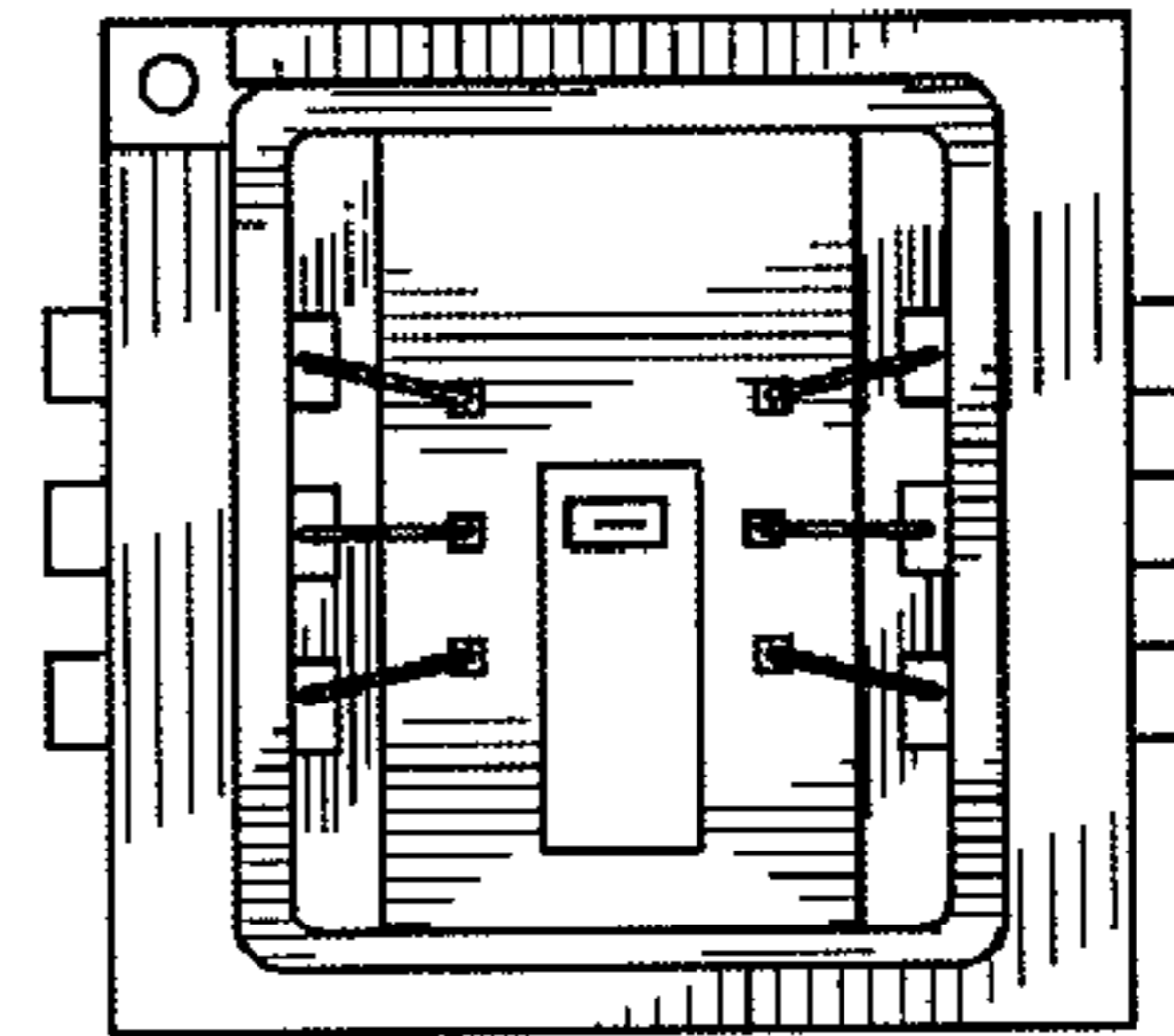


FIG. 35

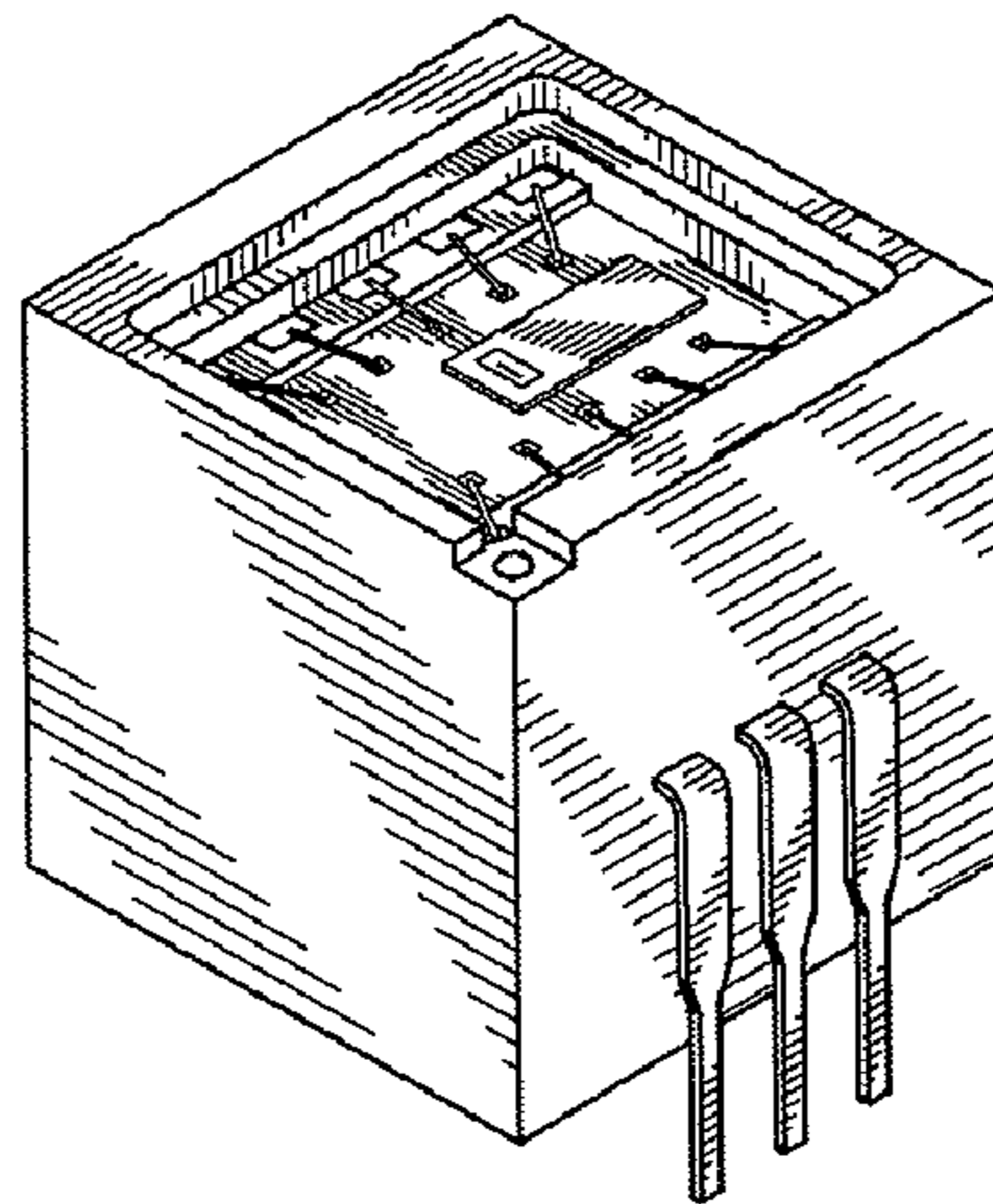


FIG. 36

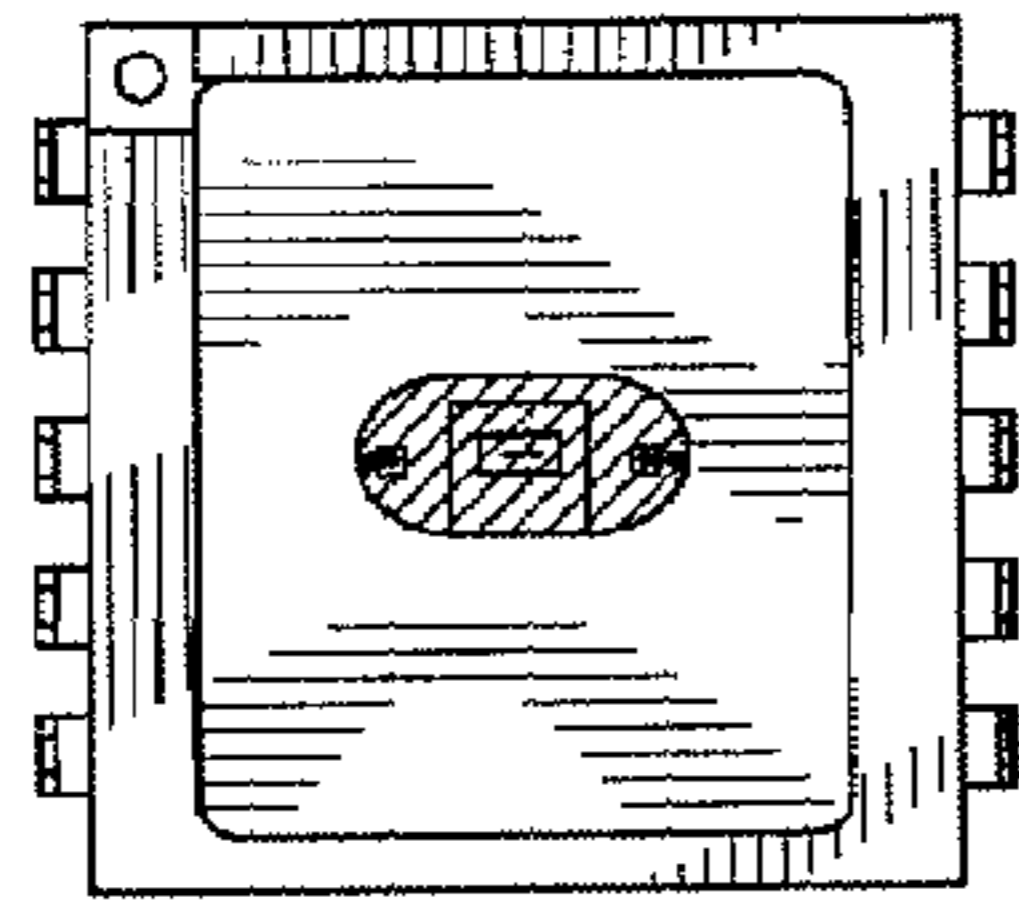


FIG. 37

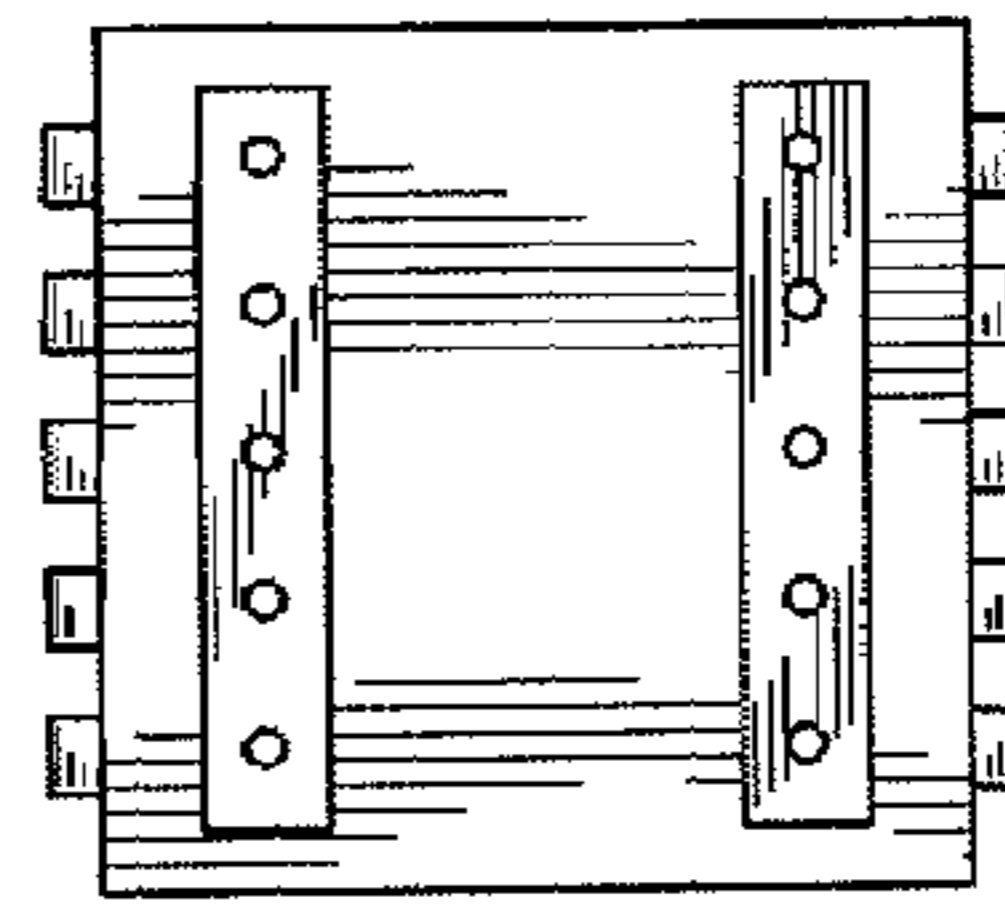


FIG. 38

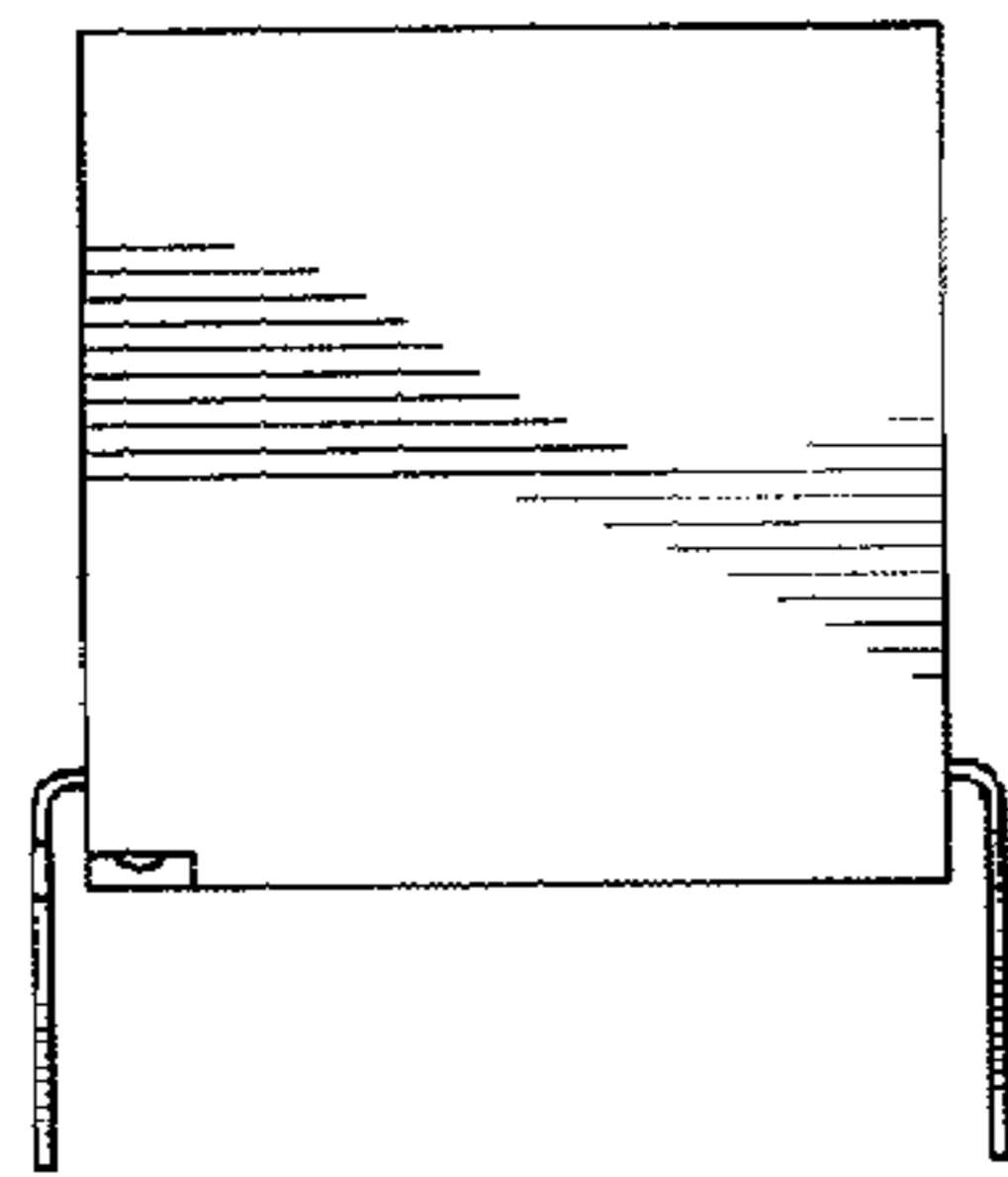


FIG. 39

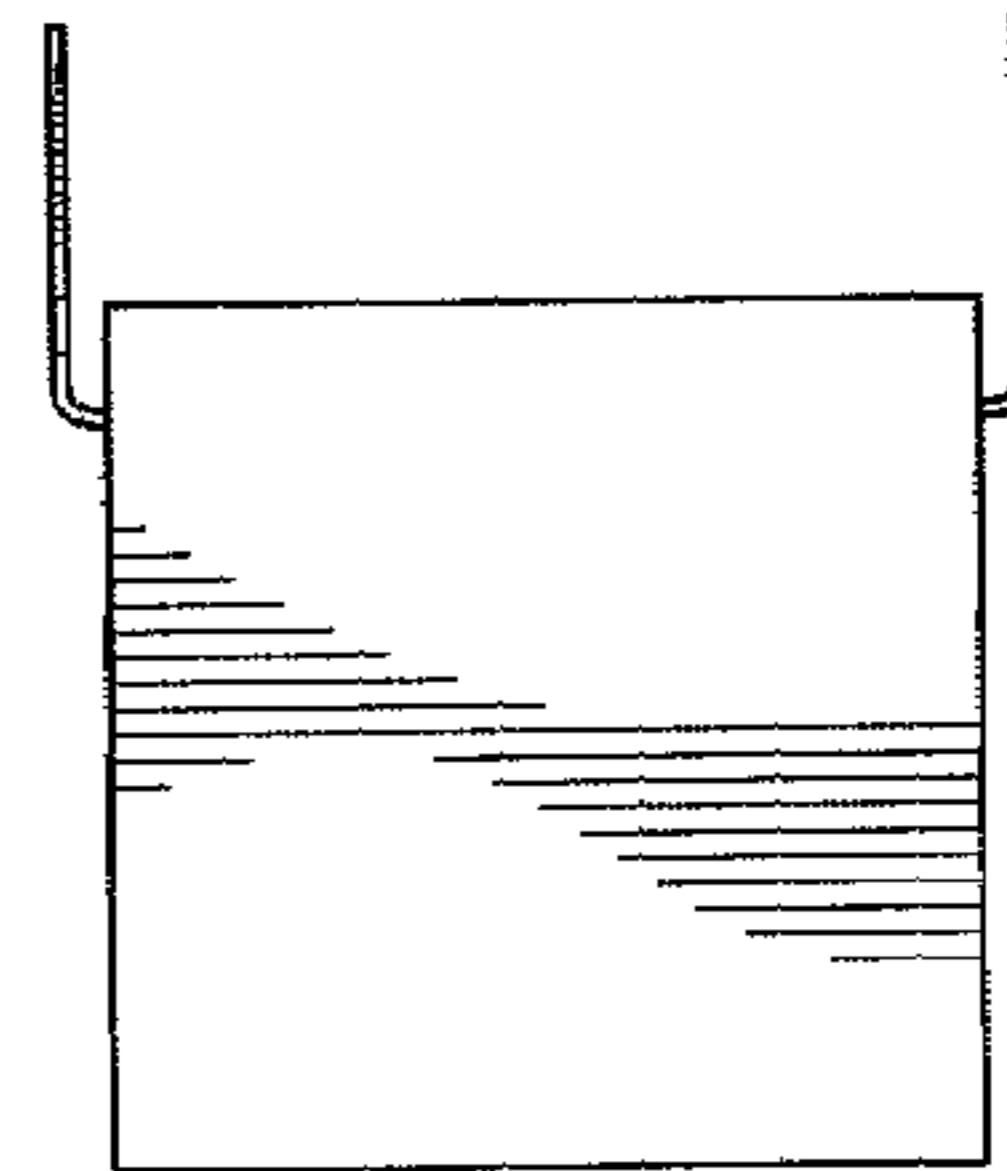


FIG. 40

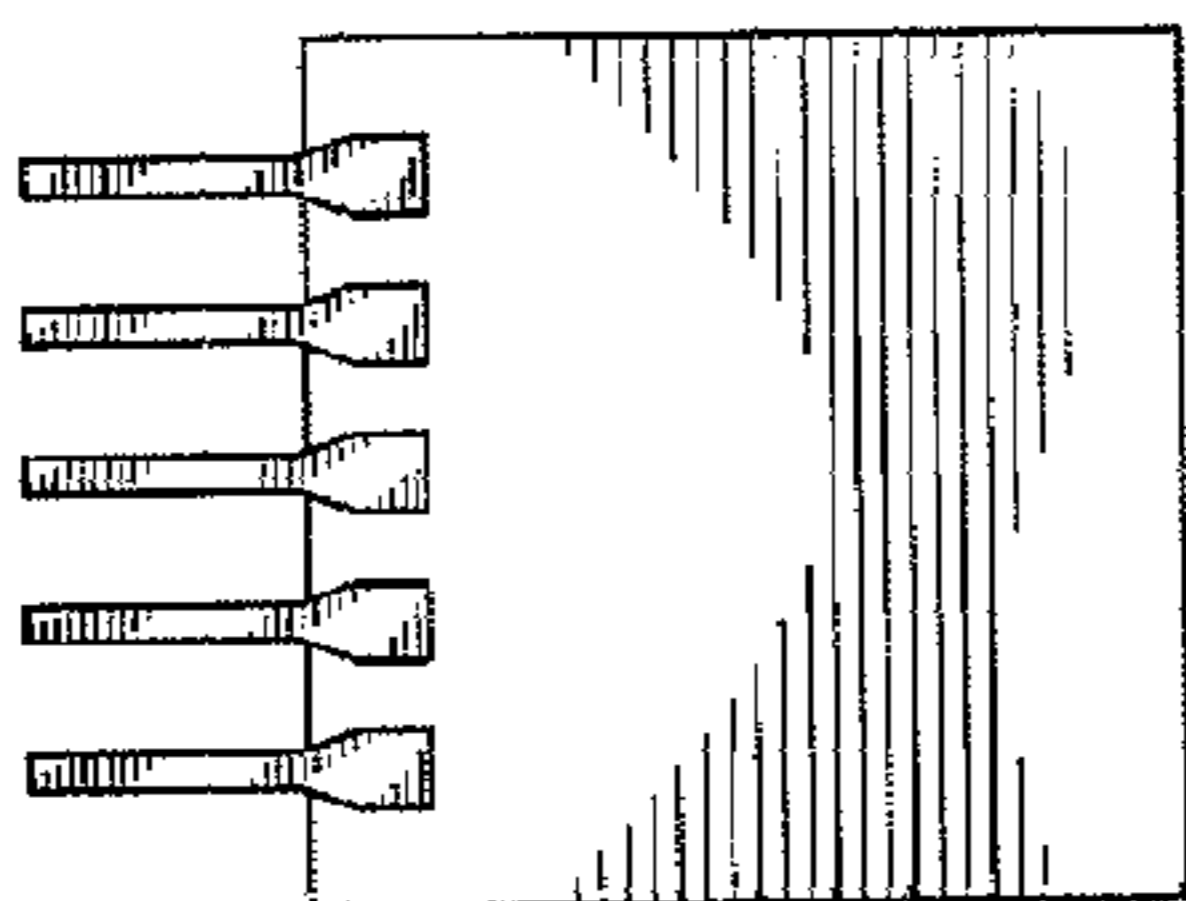


FIG. 41

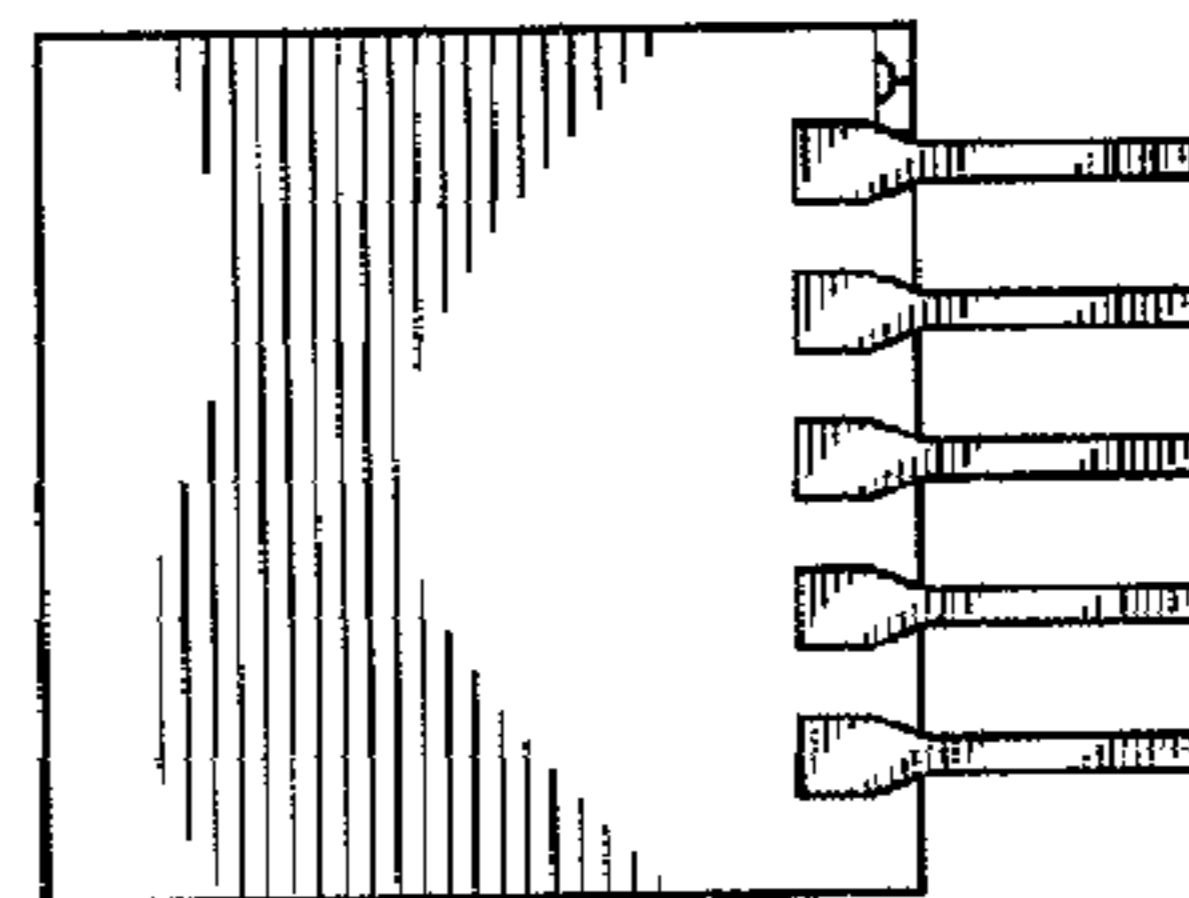


FIG. 42

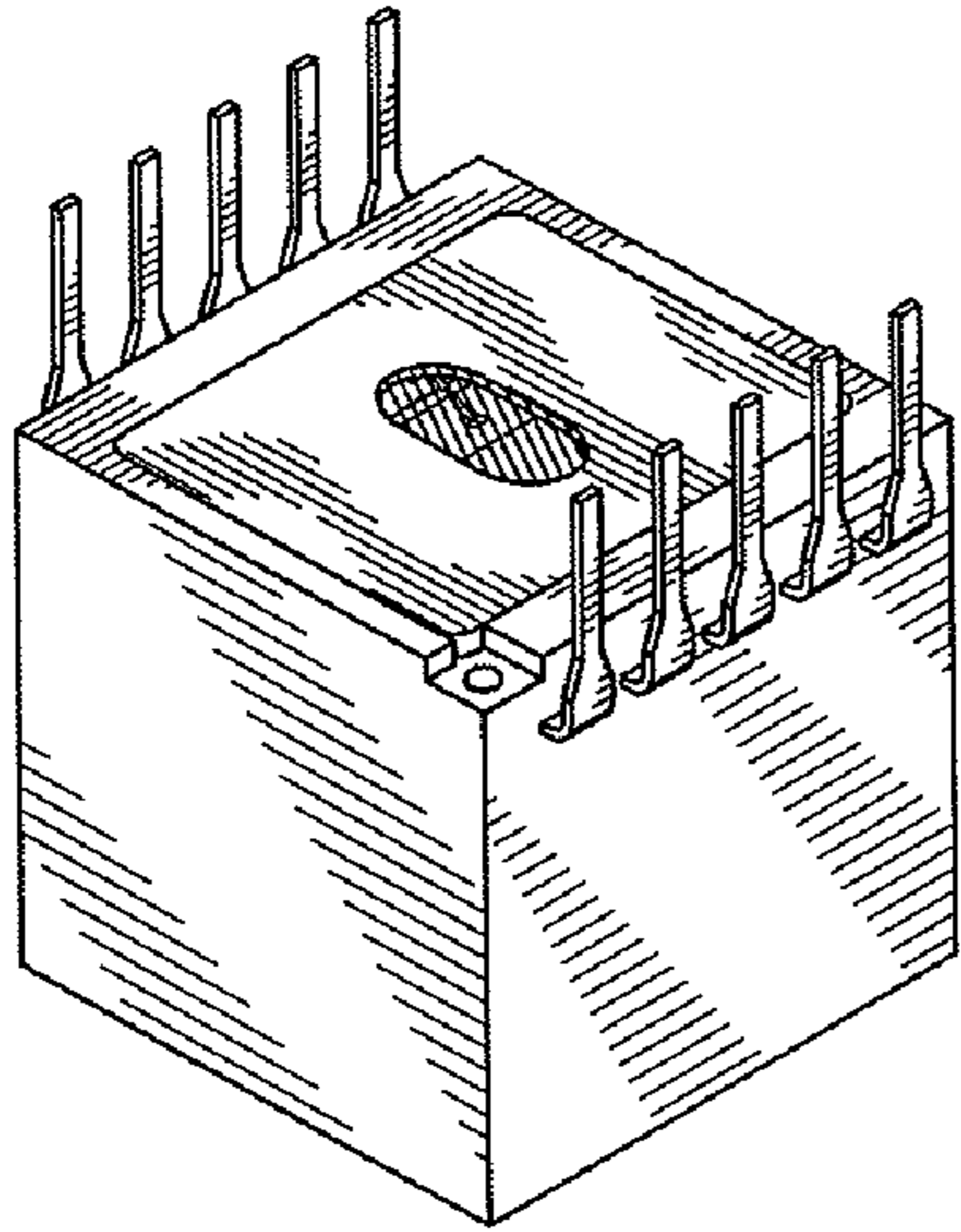


FIG. 43

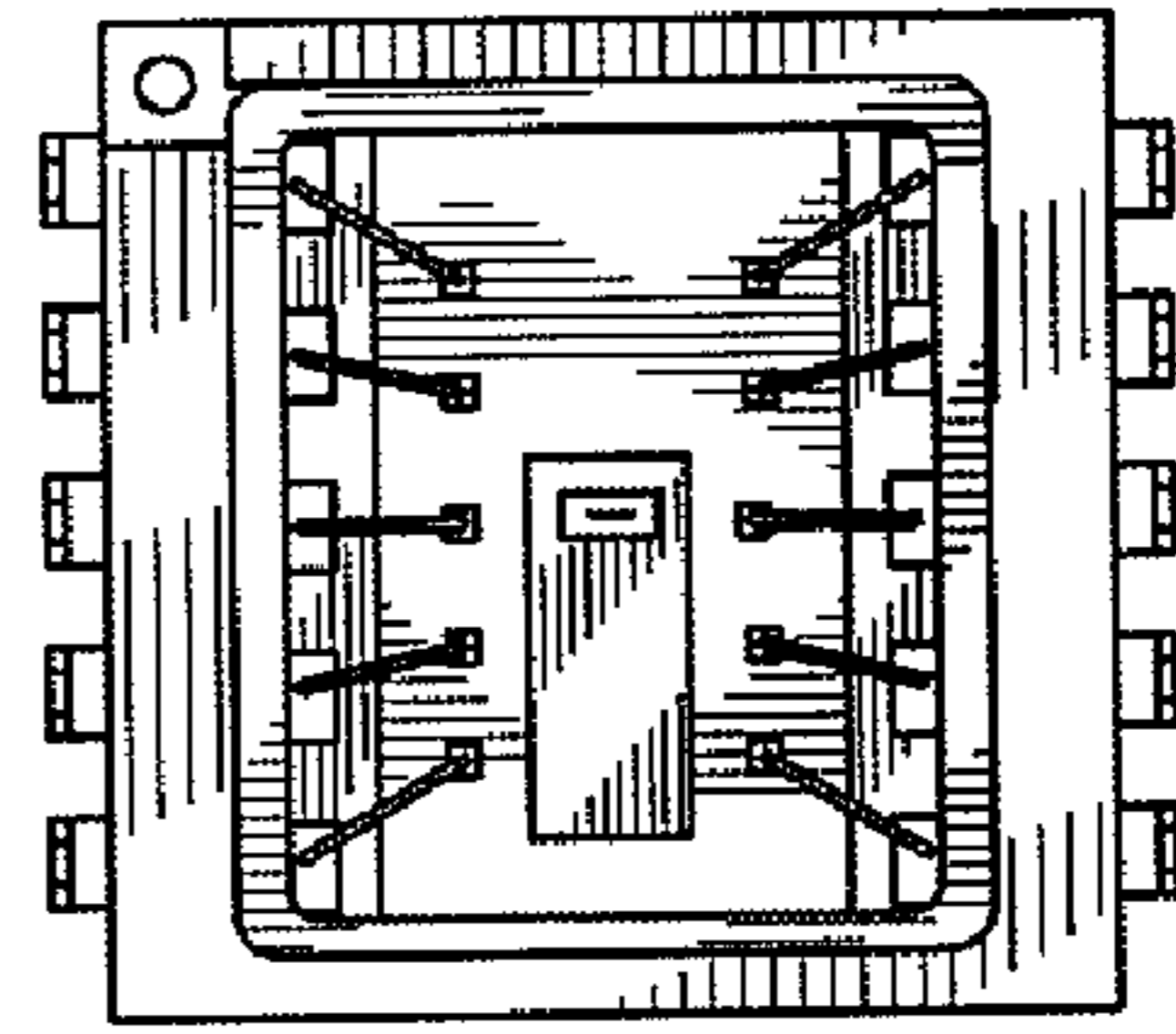


FIG. 44

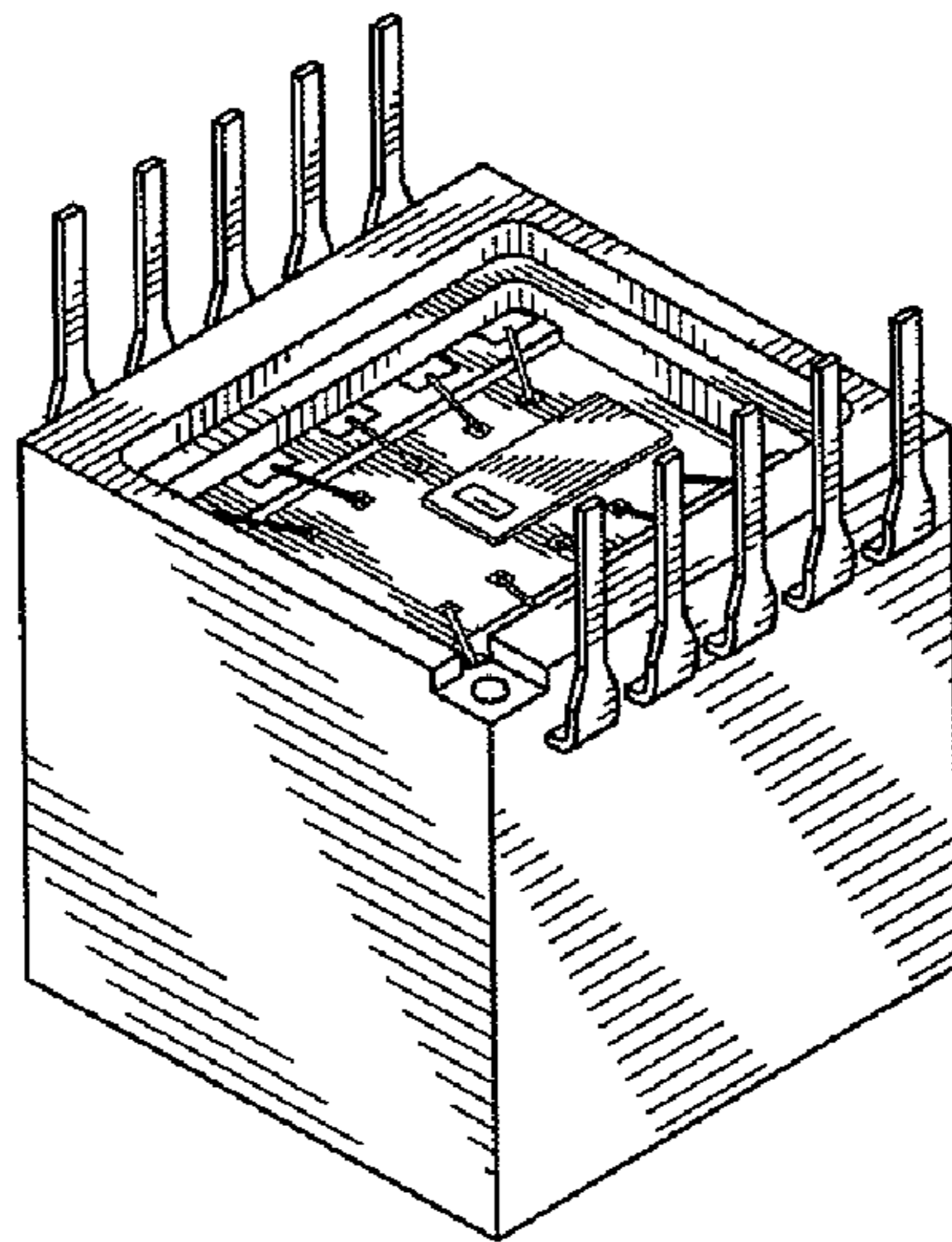


FIG. 45