



US00D603729S

(12) **United States Design Patent**  
**Shibayama**

(10) **Patent No.:** **US D603,729 S**

(45) **Date of Patent:** **\*\* Nov. 10, 2009**

(54) **SPECTROMETER**

(57) **CLAIM**

(75) Inventor: **Katsumi Shibayama**, Hamamatsu (JP)

The ornamental design for a spectrometer, as shown and described.

(73) Assignee: **Hamamatsu Photonics K.K.**,  
Hamamatsu-shi, Shizuoka (JP)

(\*\*) Term: **14 Years**

**DESCRIPTION**

(21) Appl. No.: **29/333,513**

FIG. 1 is a front view of a first embodiment of a spectrometer;  
FIG. 2 is a rear view thereof;

(22) Filed: **Mar. 11, 2009**

FIG. 3 is a top plan view thereof;

(51) **LOC (9) Cl.** ..... **10-04**

FIG. 4 is a bottom view thereof;

(52) **U.S. Cl.** ..... **D10/81**

FIG. 5 is a right side view thereof;

(58) **Field of Classification Search** ..... D10/81;  
D13/123-157; 250/226; 356/416-419, 420,  
356/326, 300-370, 402-425; 350/311, 318;  
357/3 H, 3 L; 358/43, 44

FIG. 6 is a left side view thereof;

See application file for complete search history.

FIG. 7 is a perspective view thereof;

FIG. 8 is a front view of a second embodiment of a spectrom-  
eter;

(56) **References Cited**

FIG. 9 is a rear view thereof;

**U.S. PATENT DOCUMENTS**

FIG. 10 is a top plan view thereof;

4,687,329 A \* 8/1987 Schultz ..... 356/328

FIG. 11 is a bottom view thereof;

5,166,755 A \* 11/1992 Gat ..... 356/419

FIG. 12 is a right side view thereof;

D389,123 S \* 1/1998 Vernon ..... D13/147

FIG. 13 is a left side view thereof; and,

2008/0304793 A1 \* 12/2008 Benaron et al. .... 385/75

FIG. 14 is a perspective view thereof.

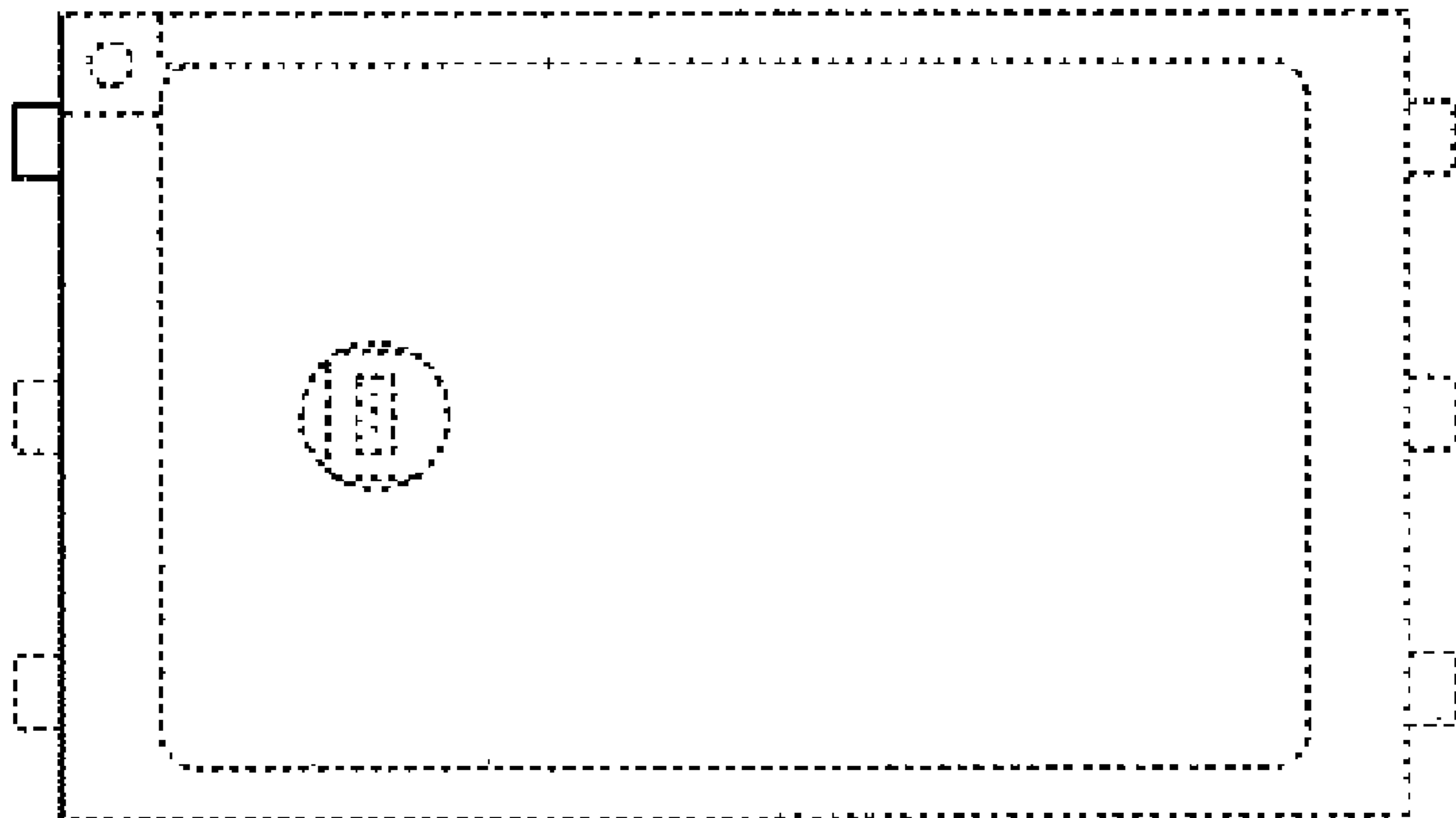
\* cited by examiner

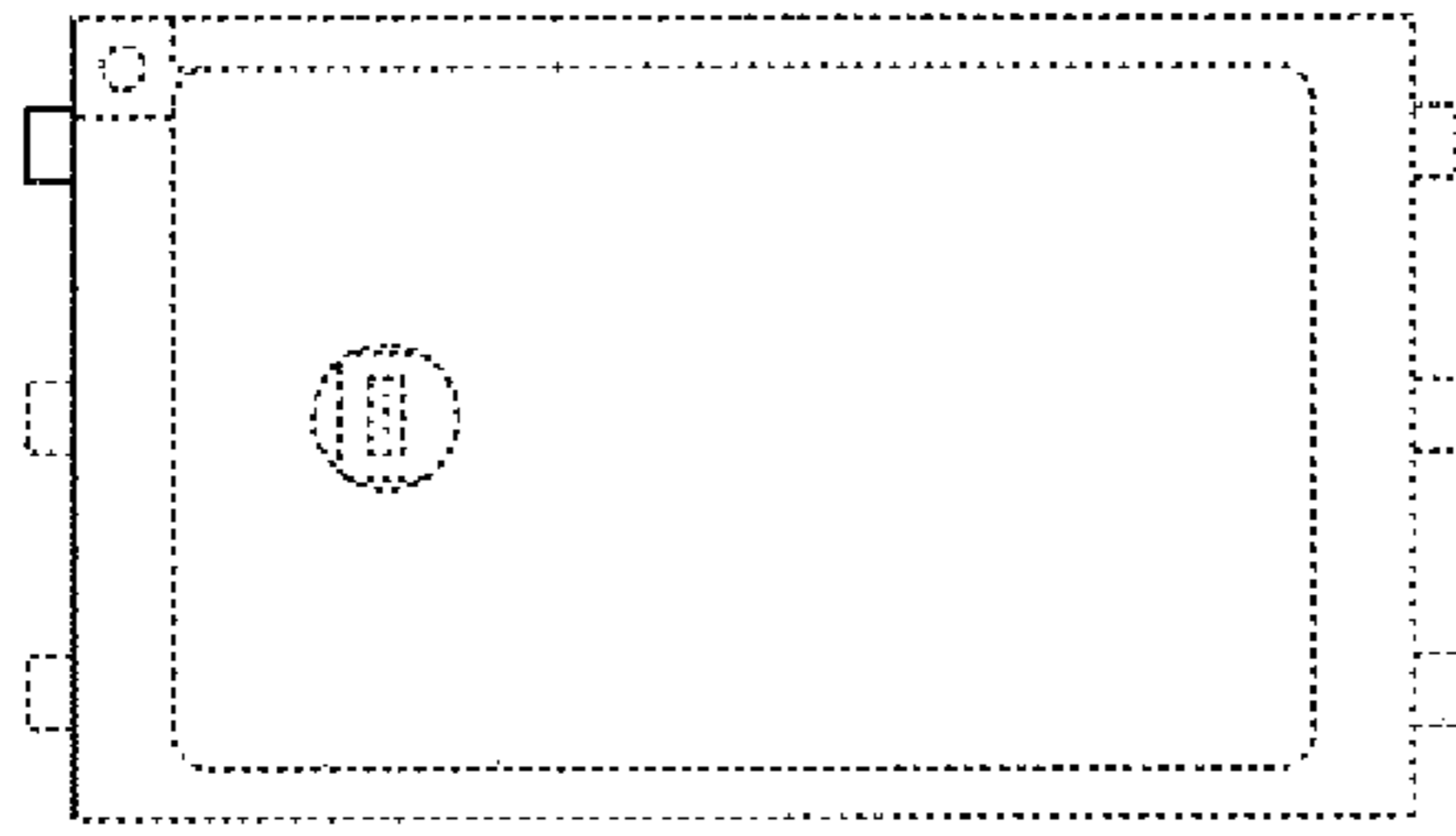
The broken lines illustrated are for illustration purposes only  
and form no part of the claimed design.

*Primary Examiner*—Antoine D Davis

**1 Claim, 2 Drawing Sheets**

(74) *Attorney, Agent, or Firm*—Drinker Biddle & Reath LLP

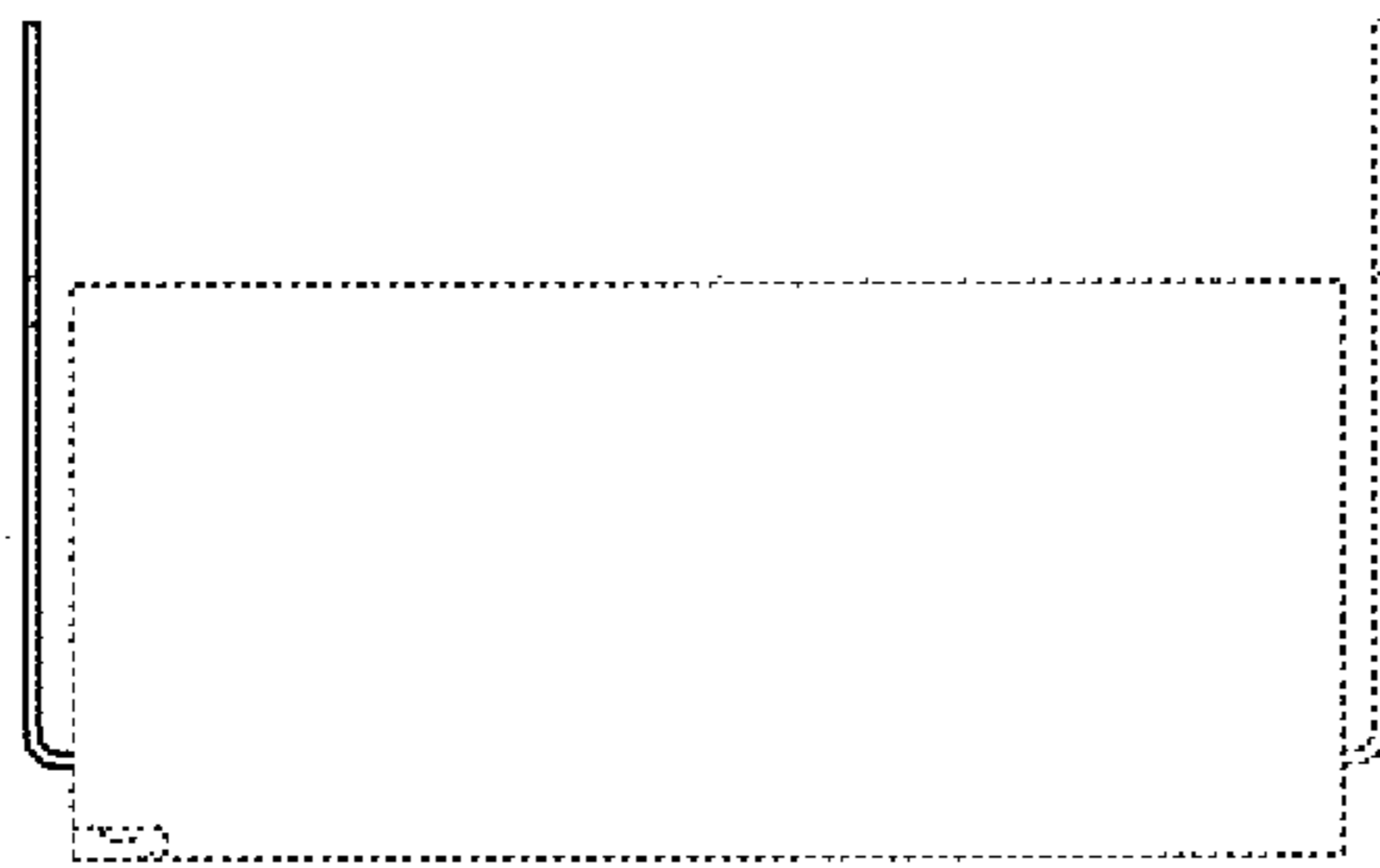




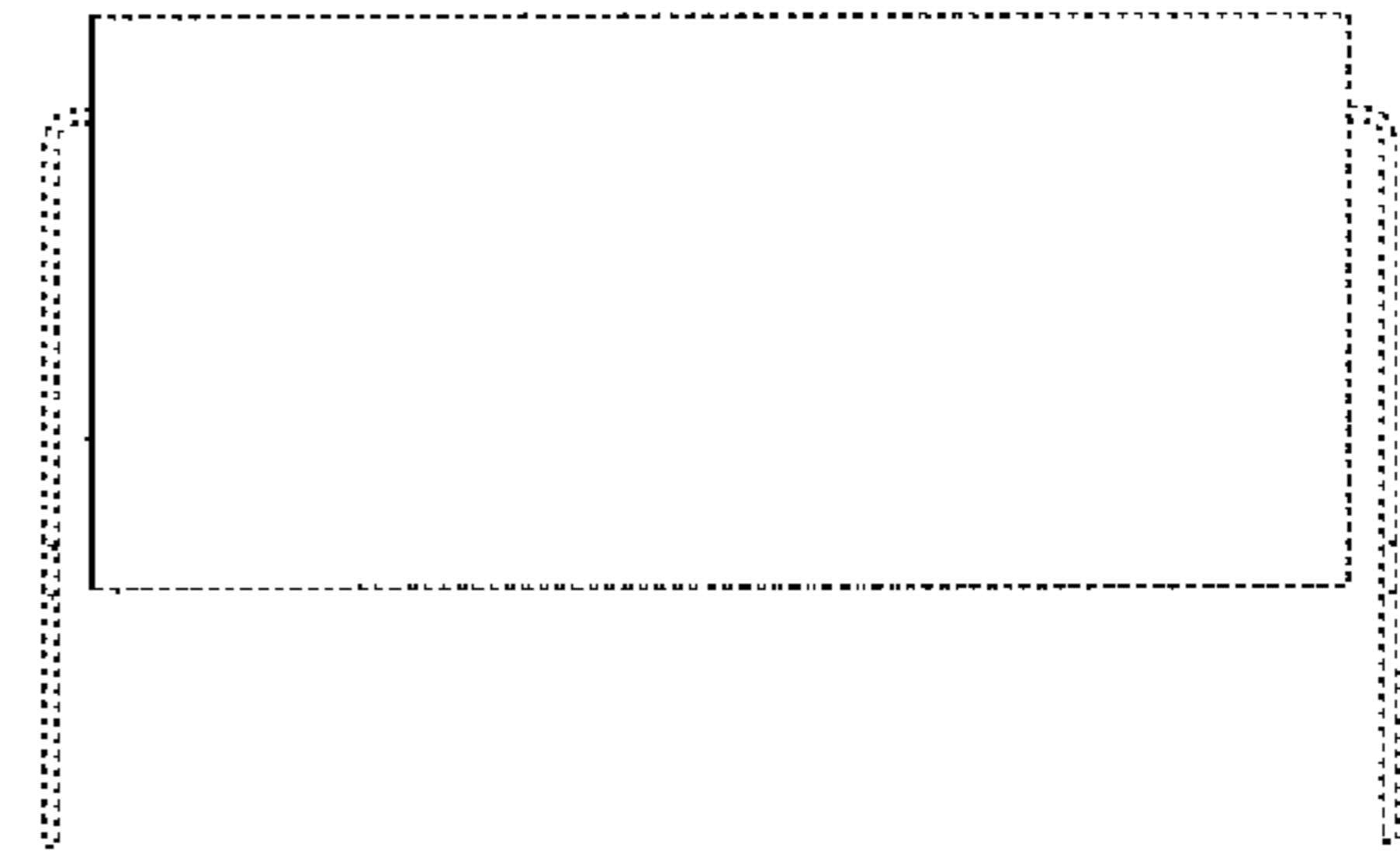
**FIG. 1**



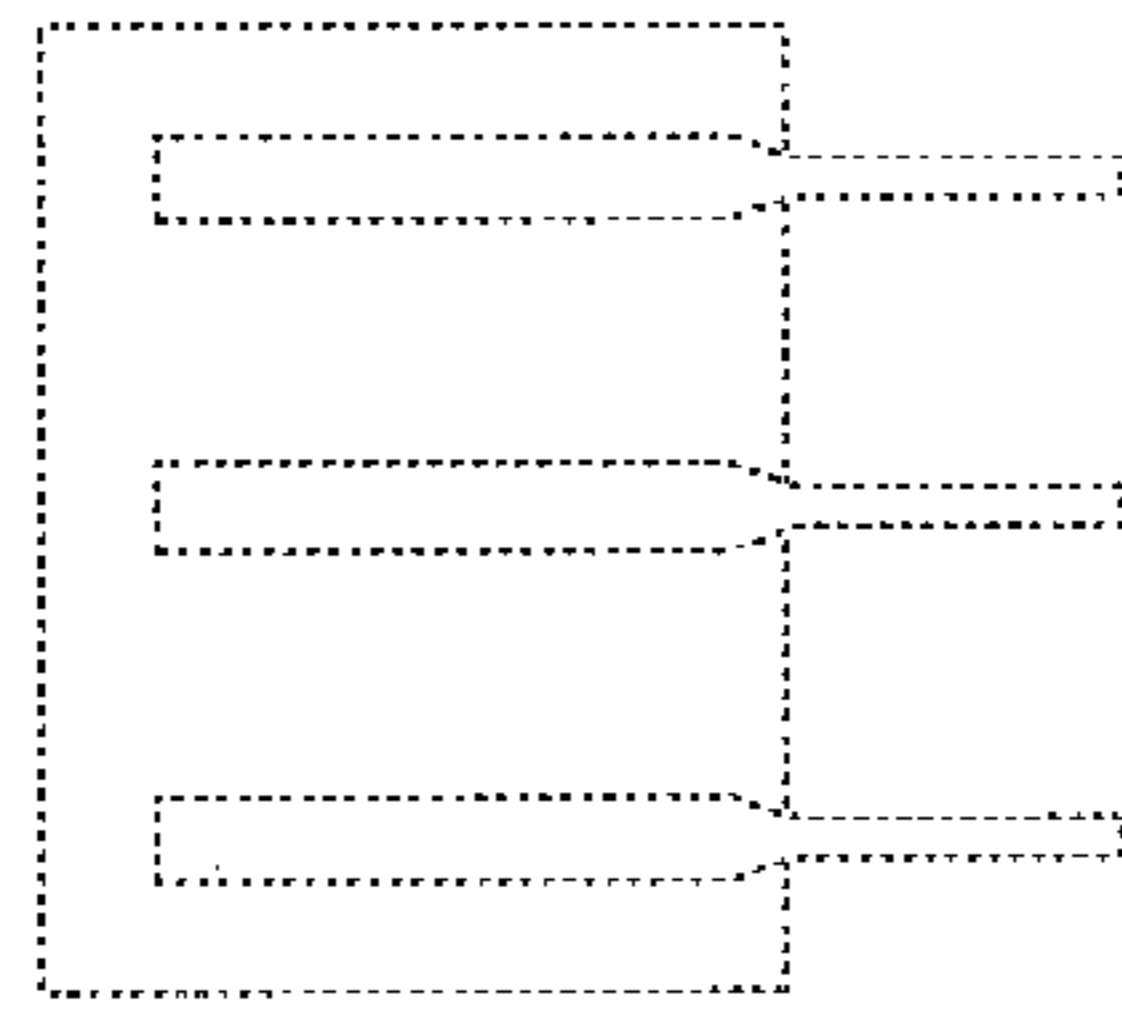
**FIG. 2**



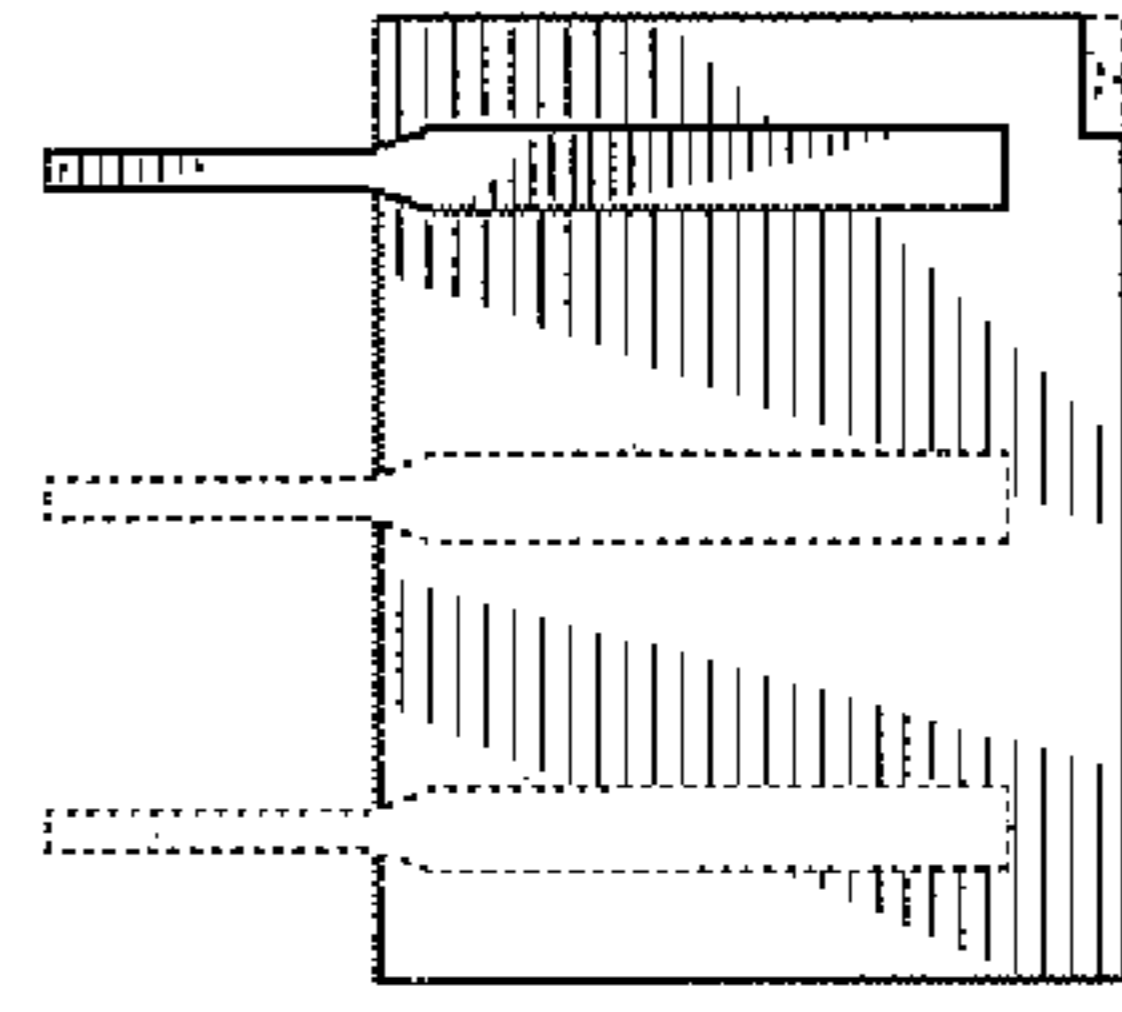
**FIG. 3**



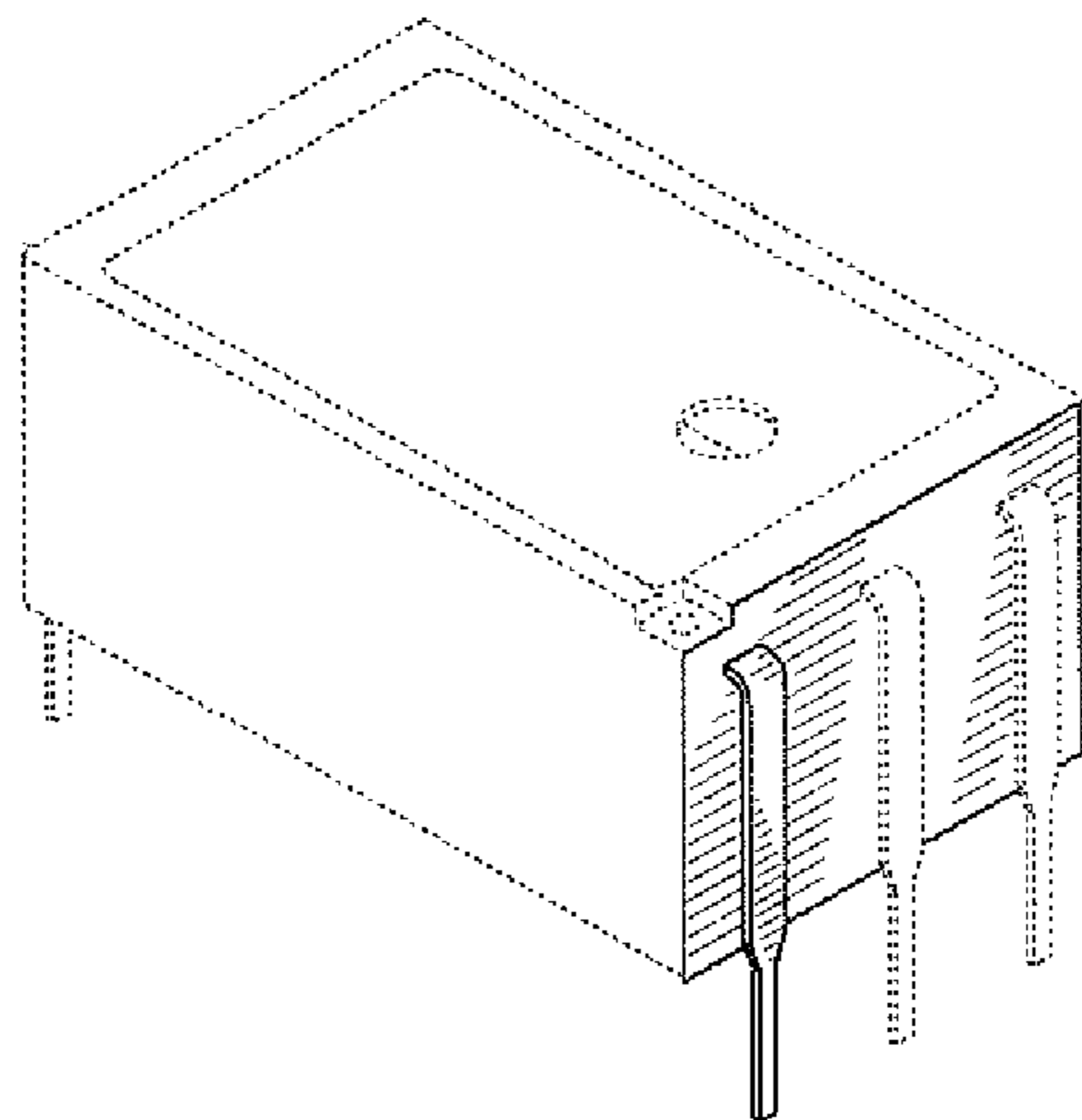
**FIG. 4**



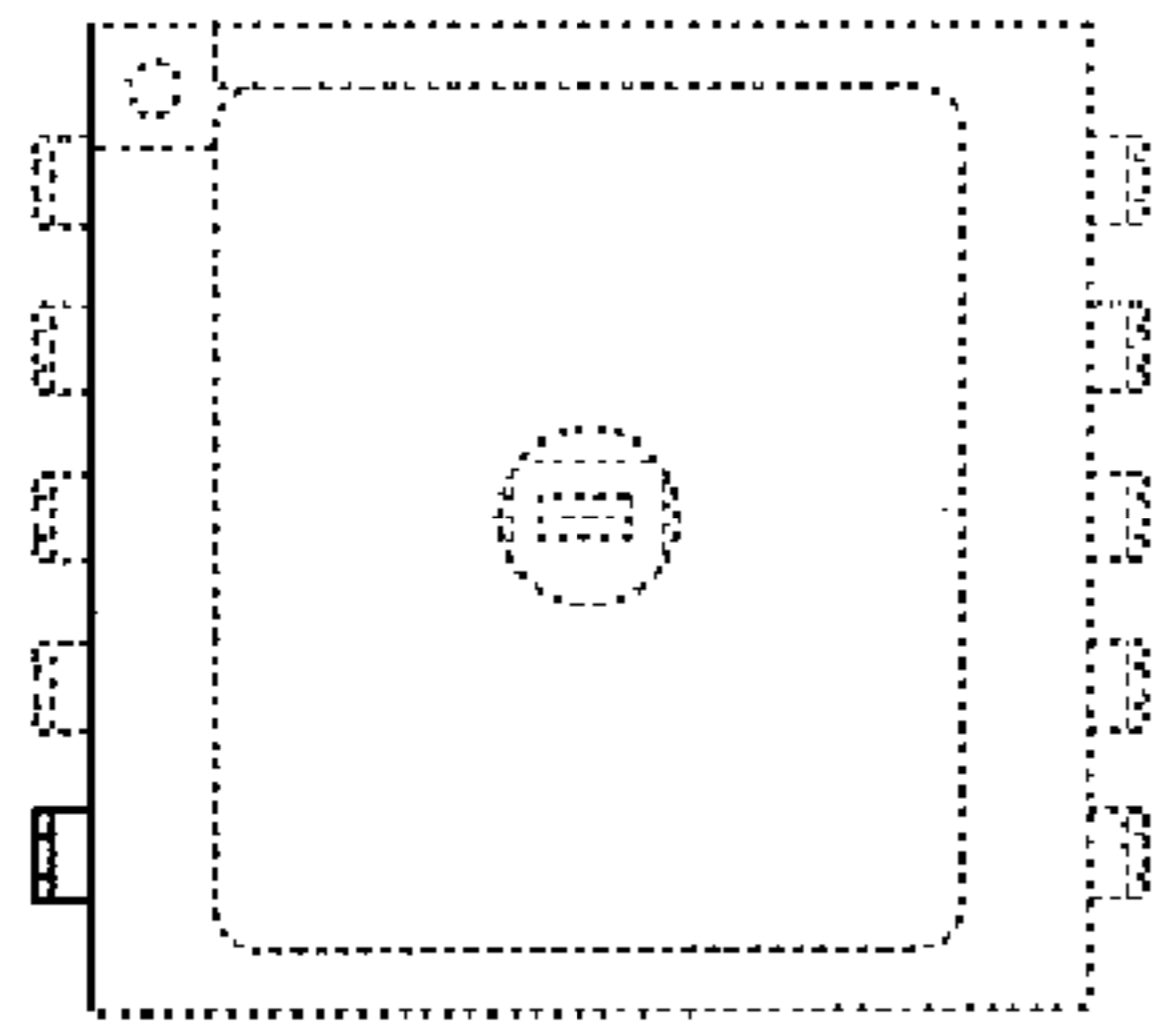
**FIG. 5**



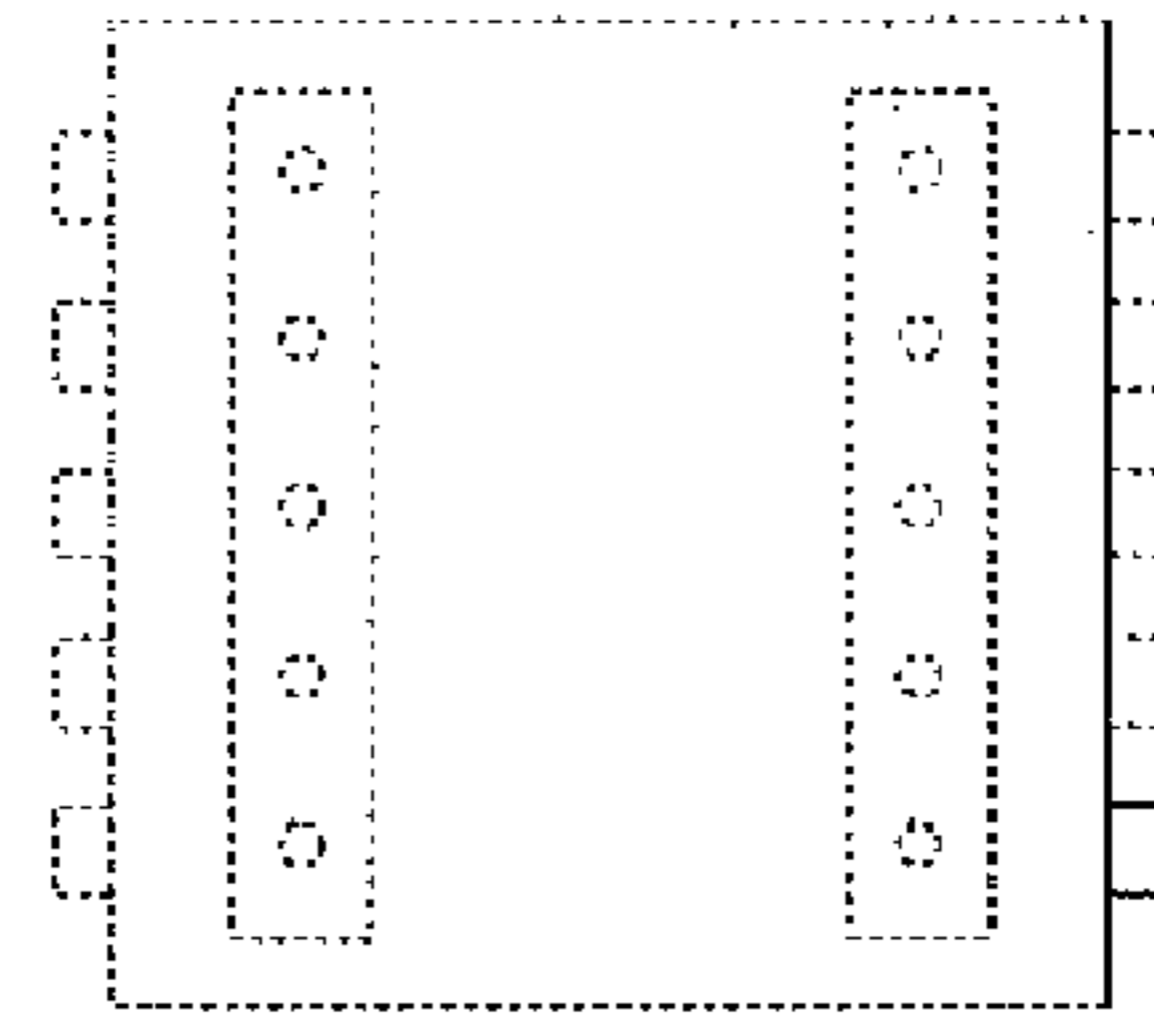
**FIG. 6**



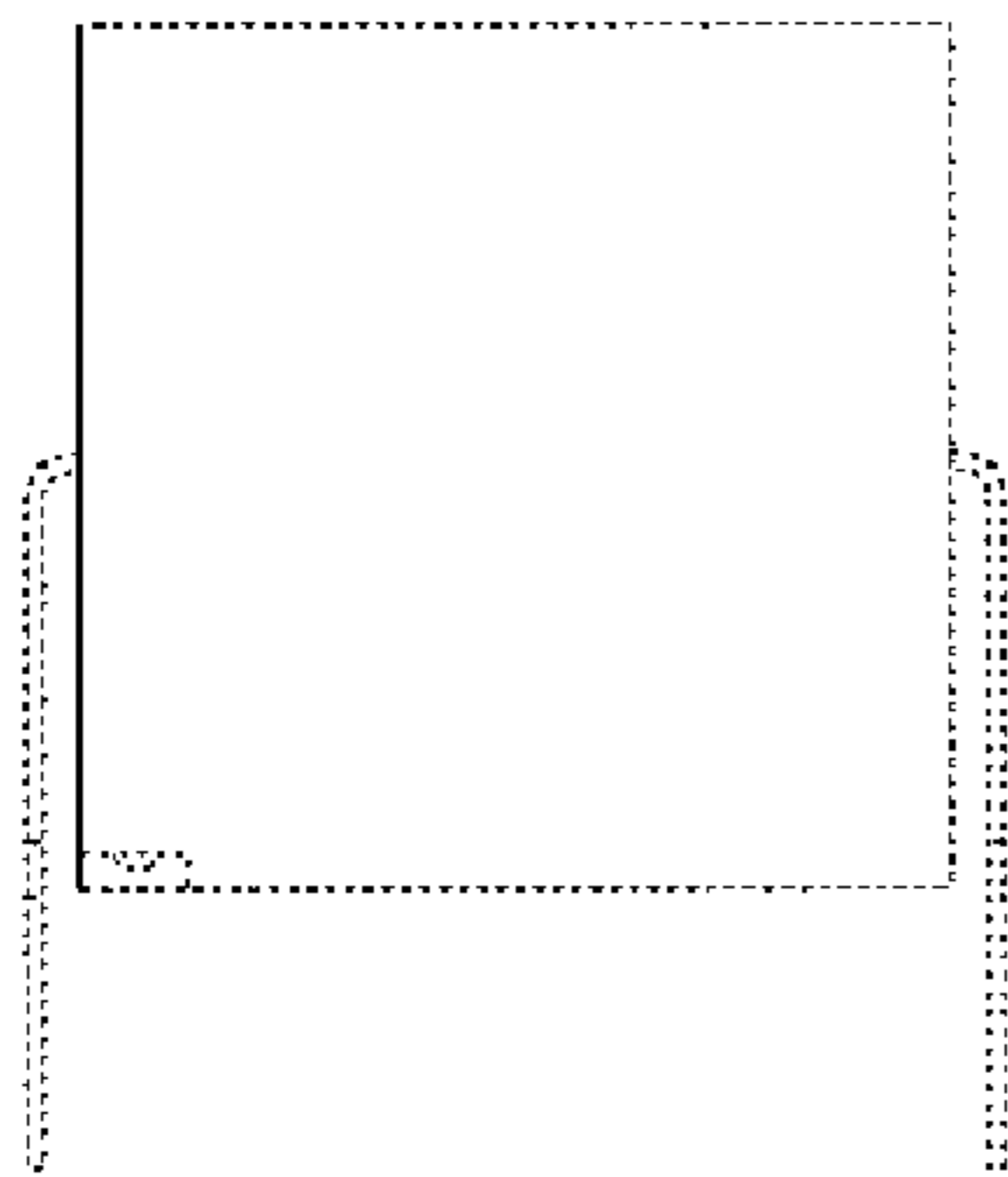
**FIG. 7**



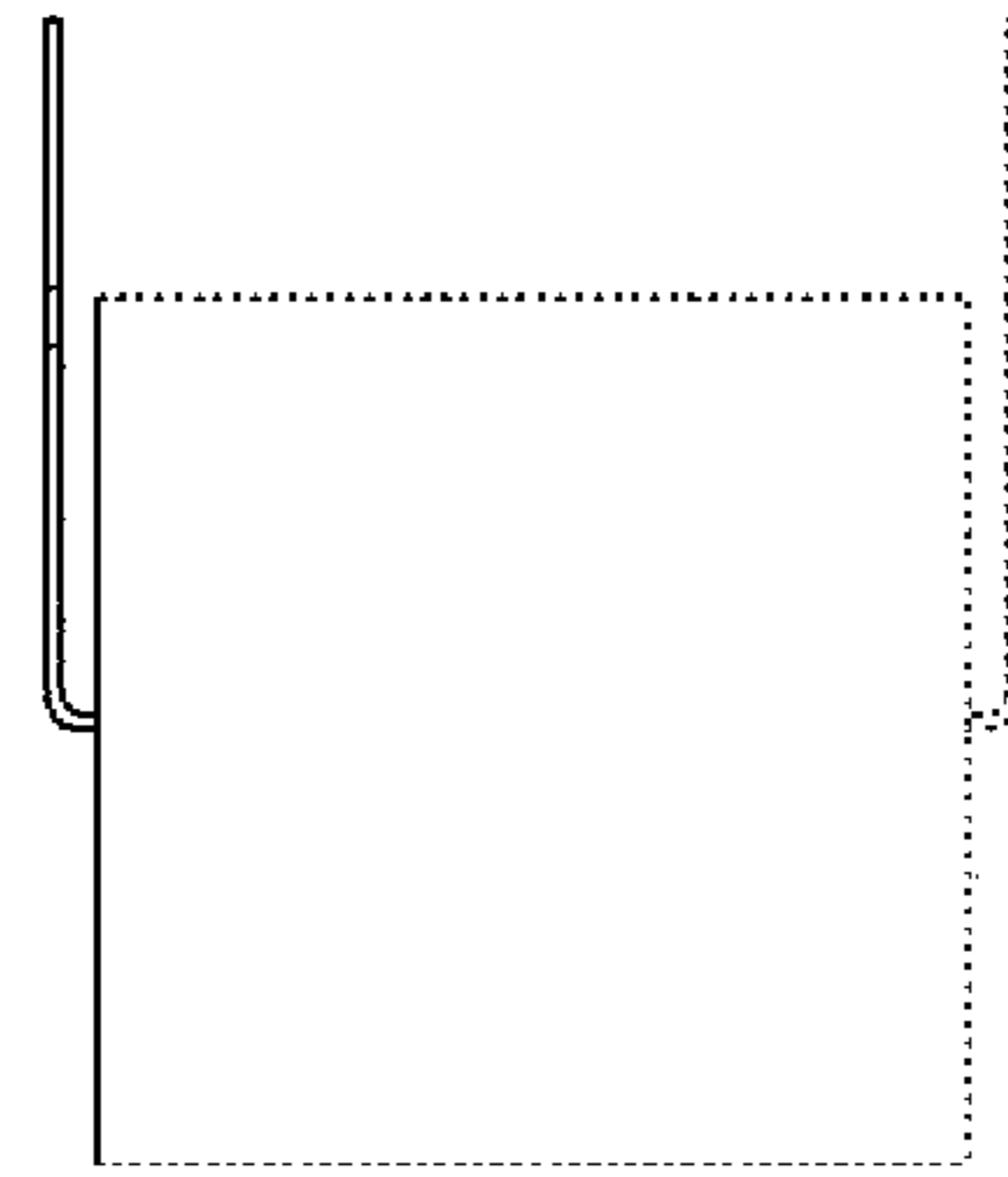
**FIG. 8**



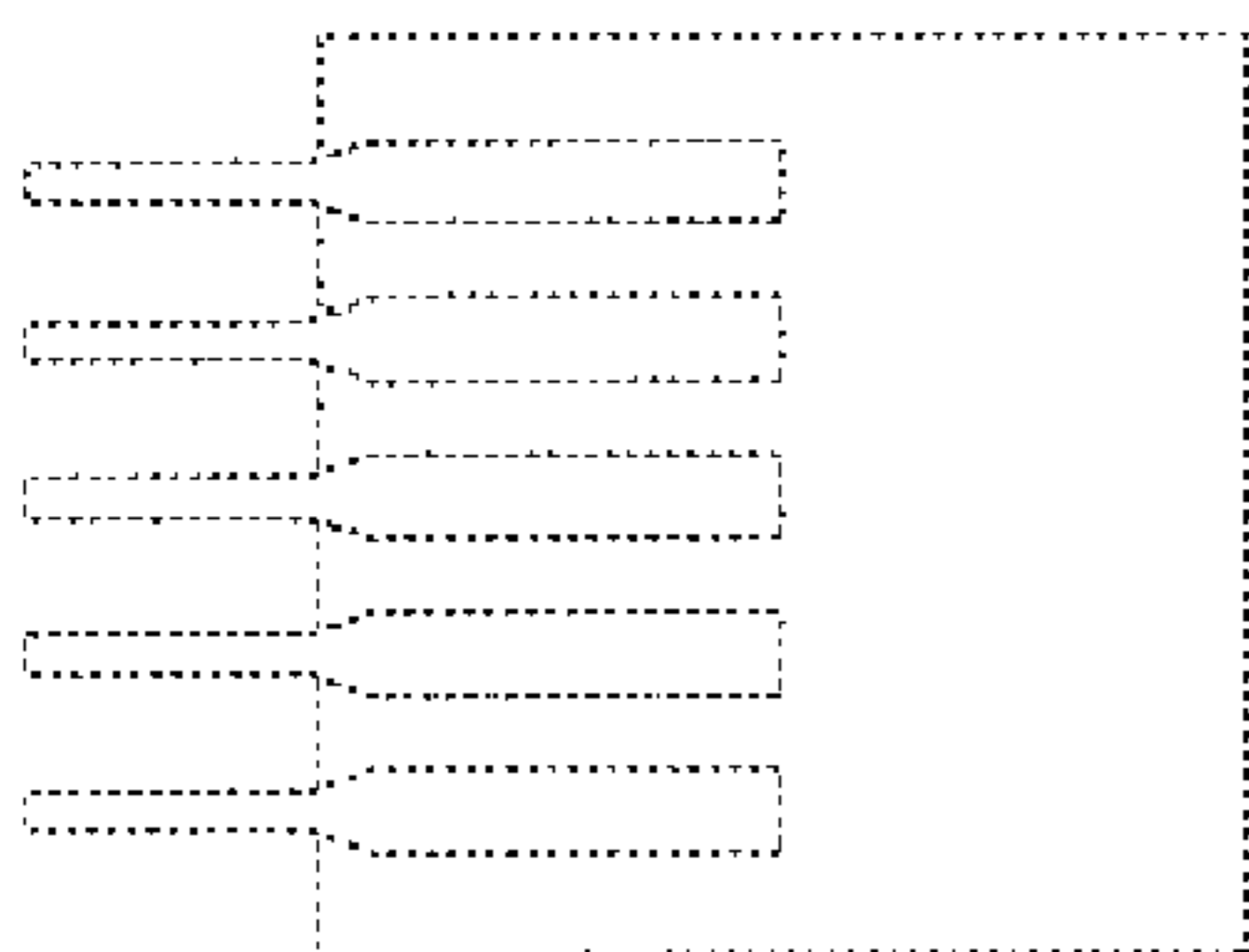
**FIG. 9**



**FIG. 10**



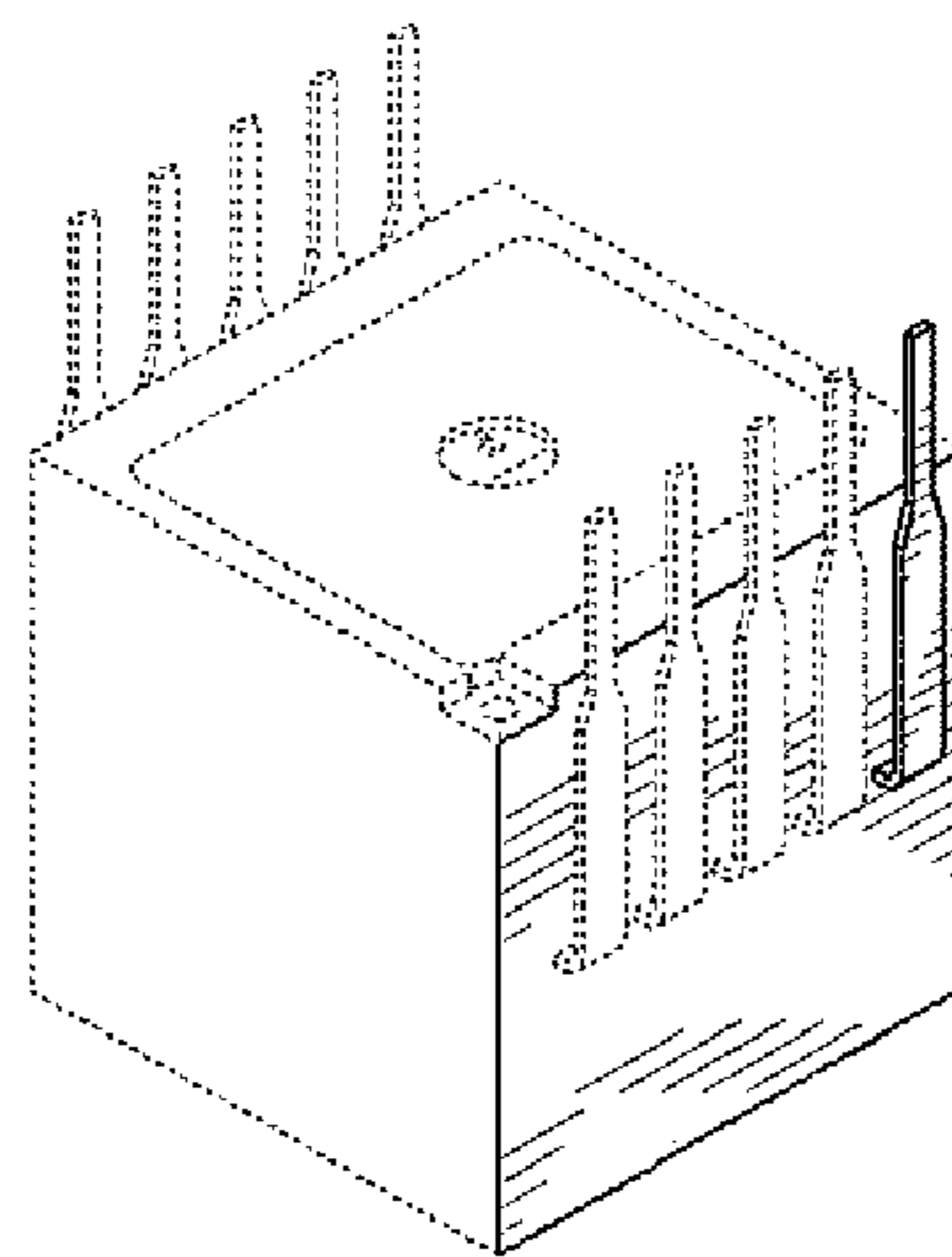
**FIG. 11**



**FIG. 12**



**FIG. 13**



**FIG. 14**