

US00D603727S

(12) **United States Design Patent**  
**Cowen et al.**

(10) **Patent No.:** **US D603,727 S**

(45) **Date of Patent:** **\*\* Nov. 10, 2009**

(54) **SCOREBOARD IN THE FORM OF A BASKETBALL**

(75) Inventors: **Michael C. Cowen**, Murray, KY (US);  
**Clay Perkins**, New Concord, KY (US)

(73) Assignee: **Innovative Display Products, LLC**,  
Murray, KY (US)

(\*\*) Term: **14 Years**

(21) Appl. No.: **29/331,217**

(22) Filed: **Jan. 21, 2009**

(51) **LOC (9) Cl.** ..... **21-01**

(52) **U.S. Cl.** ..... **D10/46.1**

(58) **Field of Classification Search** ..... D10/46.1,  
D10/46; D21/324, 333, 356, 357, 701, 698,  
D21/753, 780, 781, 788; 273/236, 244.1,  
273/247; 235/1 B

See application file for complete search history.

(56) **References Cited**

**U.S. PATENT DOCUMENTS**

1,042,142	A	10/1912	Pohlig	
2,506,382	A	5/1950	Pazandak	
2,828,712	A	4/1958	Tootle	
3,730,131	A *	5/1973	Izzo	116/223
3,936,953	A *	2/1976	Chance et al.	34/654
4,072,125	A *	2/1978	Spalla	116/223

4,202,544	A *	5/1980	Popma	473/553
4,738,449	A *	4/1988	Droz	473/553
D298,922	S	12/1988	Hinkle	
D323,629	S	2/1992	Murphy	
5,489,122	A	2/1996	Pittner	
D418,879	S	1/2000	Hornsby et al.	
D423,599	S	4/2000	Yeung	
D449,544	S	10/2001	Liu	
2004/0016391	A1	1/2004	Gordon	
2006/0214371	A1	9/2006	Laporte	
2006/0261551	A1	11/2006	Laporte	
2007/0013129	A1	1/2007	Laporte	

\* cited by examiner

*Primary Examiner*—Prabhakar Deshmukh

(74) *Attorney, Agent, or Firm*—Christie, Parker & Hale, LLP.

(57) **CLAIM**

The ornamental design for scoreboard in the form of a basketball, as shown and described.

**DESCRIPTION**

FIG. 1 is a front view of a scoreboard in the form of a basketball showing our new design; and,

FIG. 2 is a side view thereof.

The broken lines showing the environment are for illustrative purpose only and form no part of the claimed design.

**1 Claim, 1 Drawing Sheet**

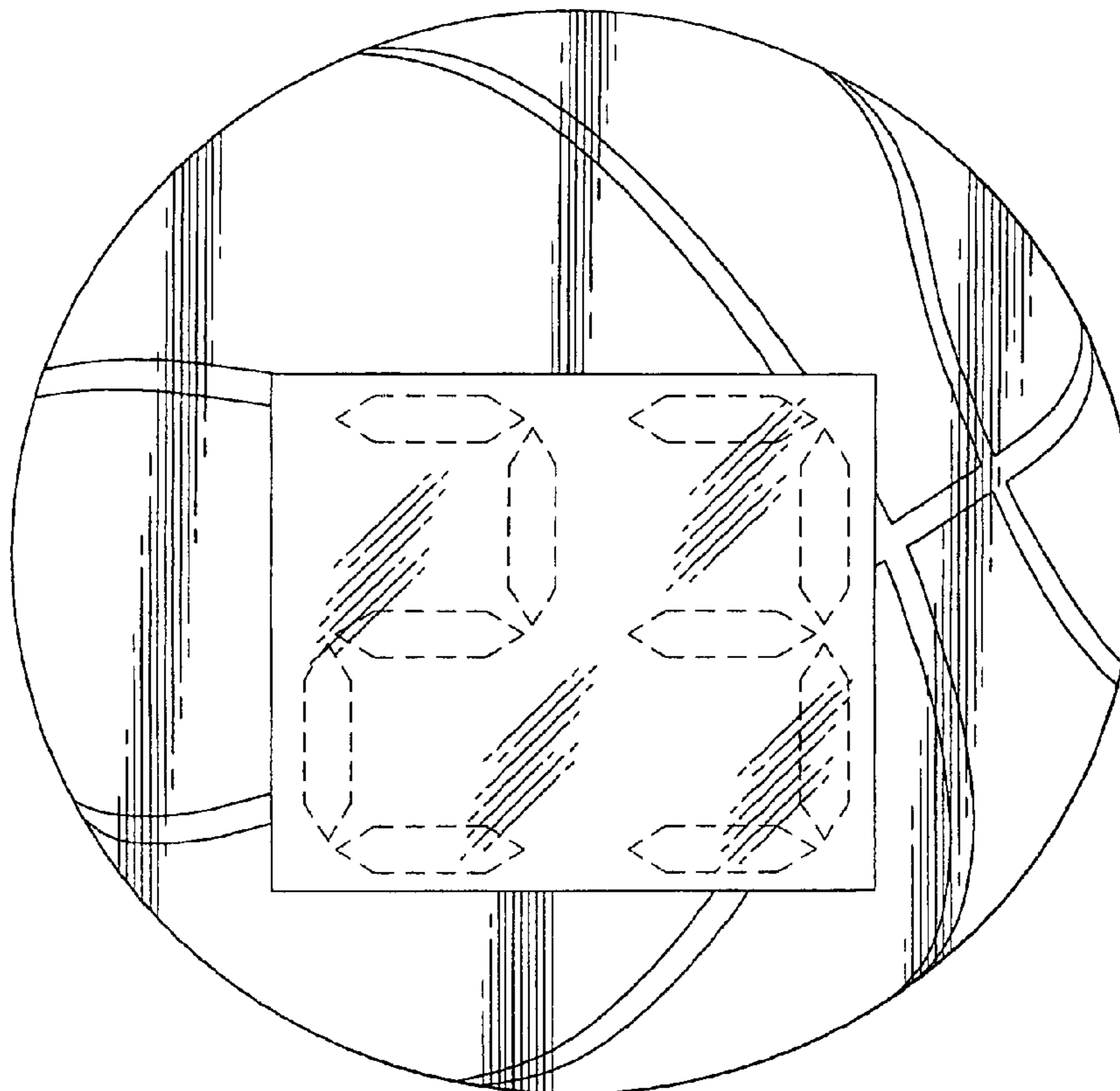


FIG. 1

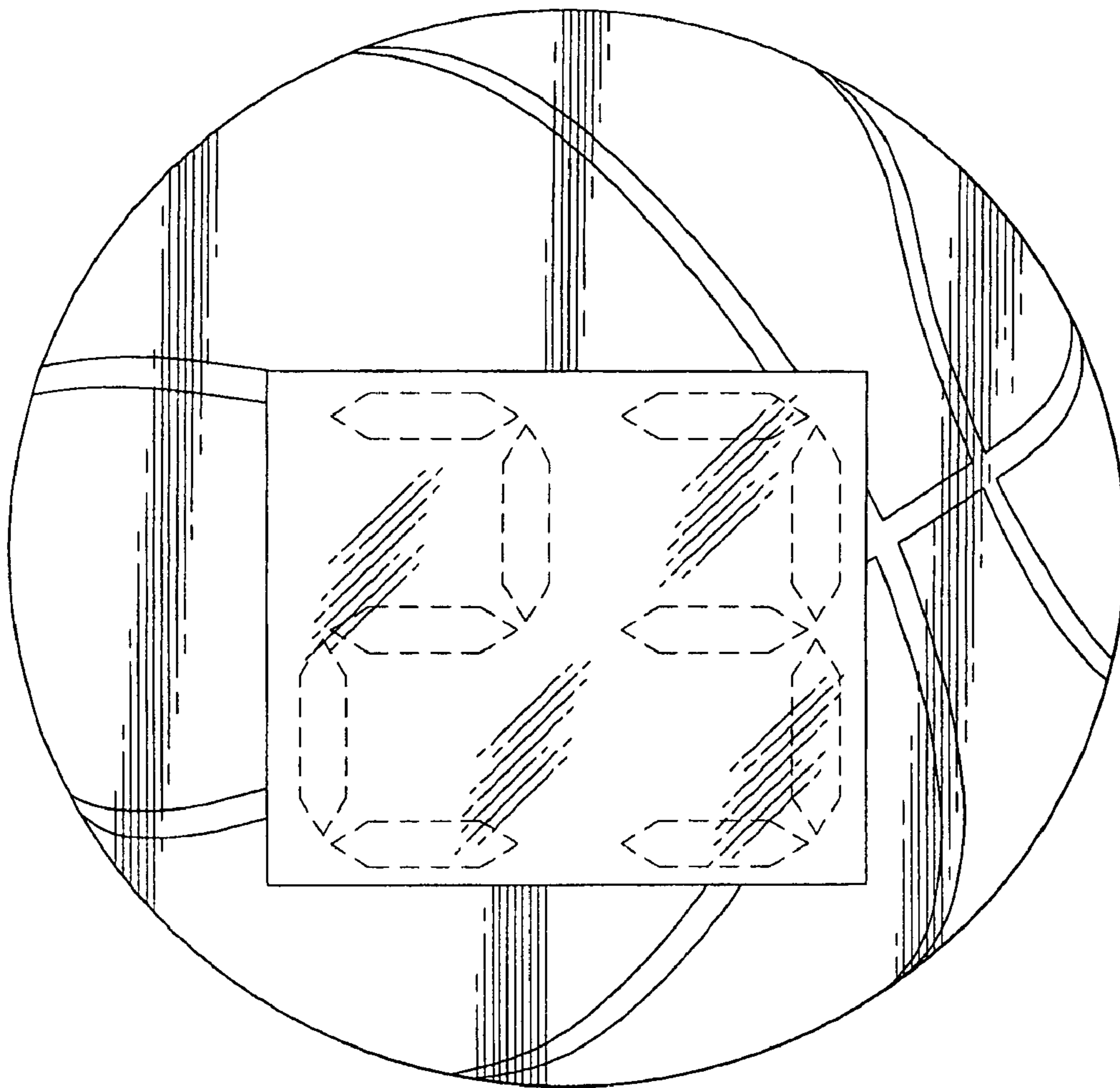


FIG. 2

