



US00D603721S

(12) **United States Design Patent**
Masucci

(10) **Patent No.:** **US D603,721 S**

(45) **Date of Patent:** **** Nov. 10, 2009**

(54) **CONTAINER FOR WET AND DRY WIPES**

(76) **Inventor:** **MaryAnn Masucci**, 420 Marsh Oaks Dr., Wilmington, NC (US) 28411

(**) **Term:** **14 Years**

(21) **Appl. No.:** **29/307,988**

(22) **Filed:** **May 21, 2008**

(51) **LOC (9) Cl.** **09-01**

(52) **U.S. Cl.** **D9/734**

(58) **Field of Classification Search** D9/415, D9/417, 418, 430, 432, 730, 734; D6/512, D6/515, 518, 524; D3/201, 302; D19/75, D19/76, 78, 86, 89, 91; 221/9-14, 30, 33-41, 221/45, 47-49; 229/110, 129.1, 207, 925; 15/104.002

See application file for complete search history.

(56) **References Cited**

U.S. PATENT DOCUMENTS

5,421,106	A	6/1995	Emrick	
D385,787	S	* 11/1997	Takano et al.	D9/432
D386,967	S	* 12/1997	Alarcon	D9/432
D397,033	S	* 8/1998	Puglisi	D9/432
D406,760	S	* 3/1999	Puglisi	D9/432
5,922,427	A	* 7/1999	King	15/104.002
5,970,561	A	10/1999	Archibeque	
6,128,801	A	10/2000	Adzick et al.	
D451,799	S	* 12/2001	Berger et al.	D9/422
6,651,288	B1	11/2003	Hackett	
D485,461	S	1/2004	Sams et al.	
D498,623	S	11/2004	Sams et al.	
D499,021	S	11/2004	Tiilikka et al.	
7,028,840	B2	4/2006	Huang et al.	
D555,302	S	11/2007	Bohnen et al.	

D555,511	S	* 11/2007	Warmka et al.	D9/722
D555,737	S	* 11/2007	Brown et al.	D19/91
7,293,738	B2	11/2007	Grebonval et al.	
7,296,705	B2	11/2007	Boulet-Mazer	
7,303,092	B2	12/2007	Sarbo et al.	
D596,044	S	* 7/2009	Goldman et al.	D9/734
D599,407	S	* 9/2009	Flores	D19/86
2007/0136966	A1	* 6/2007	Aubourg et al.	15/104.002

* cited by examiner

Primary Examiner—Stella M Reid

Assistant Examiner—Shanda C Hill

(74) *Attorney, Agent, or Firm*—P. Jeff Martin; The McGougan Law Firm, LLC

(57) **CLAIM**

The ornamental design for a container for wet and dry wipes, as shown and described.

DESCRIPTION

FIG. 1 is a perspective view of a container for wet and dry wipes, shown from front, above and right end;

FIG. 2 is a perspective view of the container of FIG. 1, shown in an alternate condition;

FIG. 3 is a front view of the container of FIG. 1;

FIG. 4 is a back view of the container of FIG. 1;

FIG. 5 is a right side view of the container of FIG. 1;

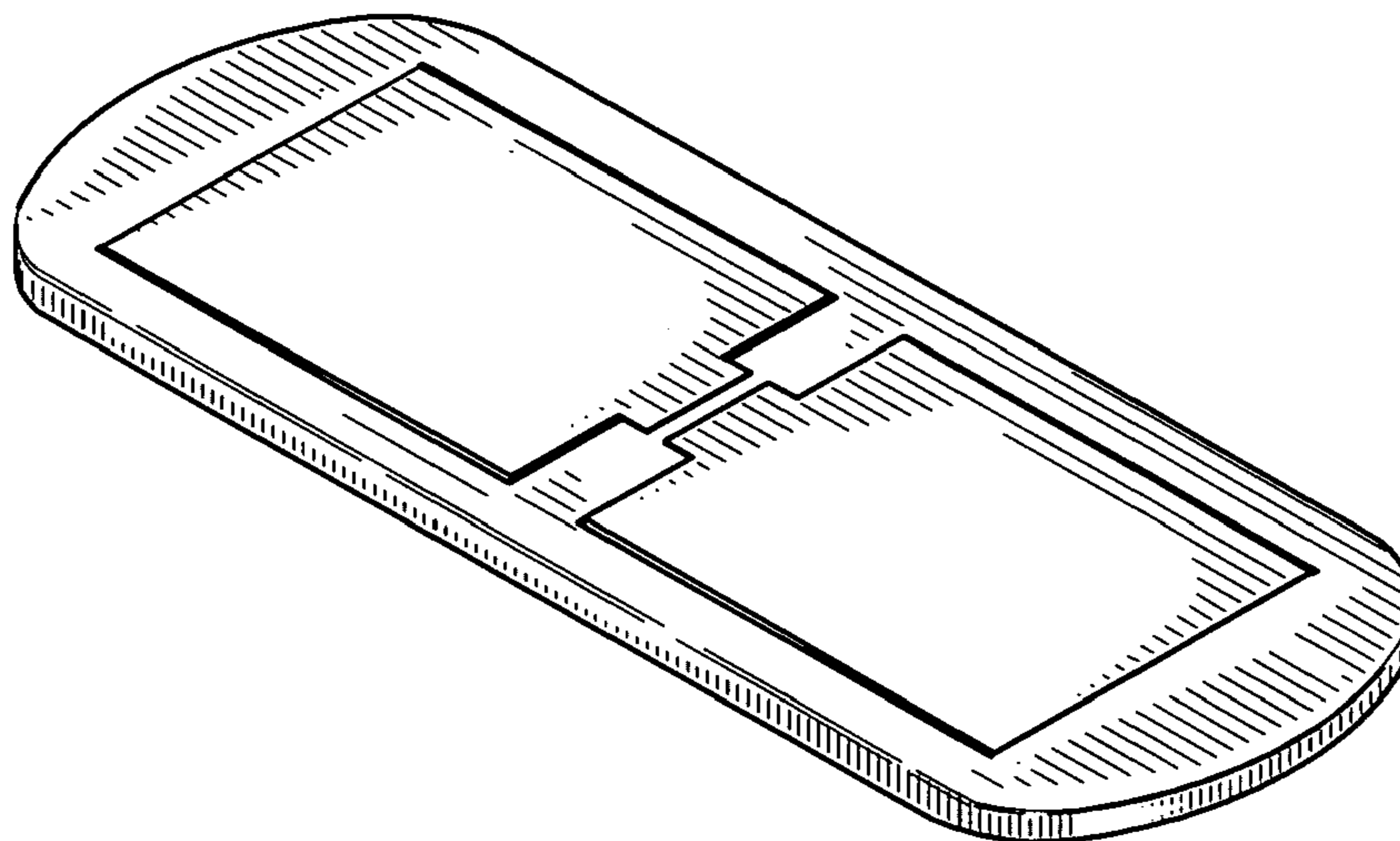
FIG. 6 is a left side view of the container of FIG. 1;

FIG. 7 is a top plan view of the container of FIG. 1; and,

FIG. 8 is a bottom plan view of the container of FIG. 1.

The broken lines shown in FIG. 2 form no part of the claimed design.

1 Claim, 4 Drawing Sheets



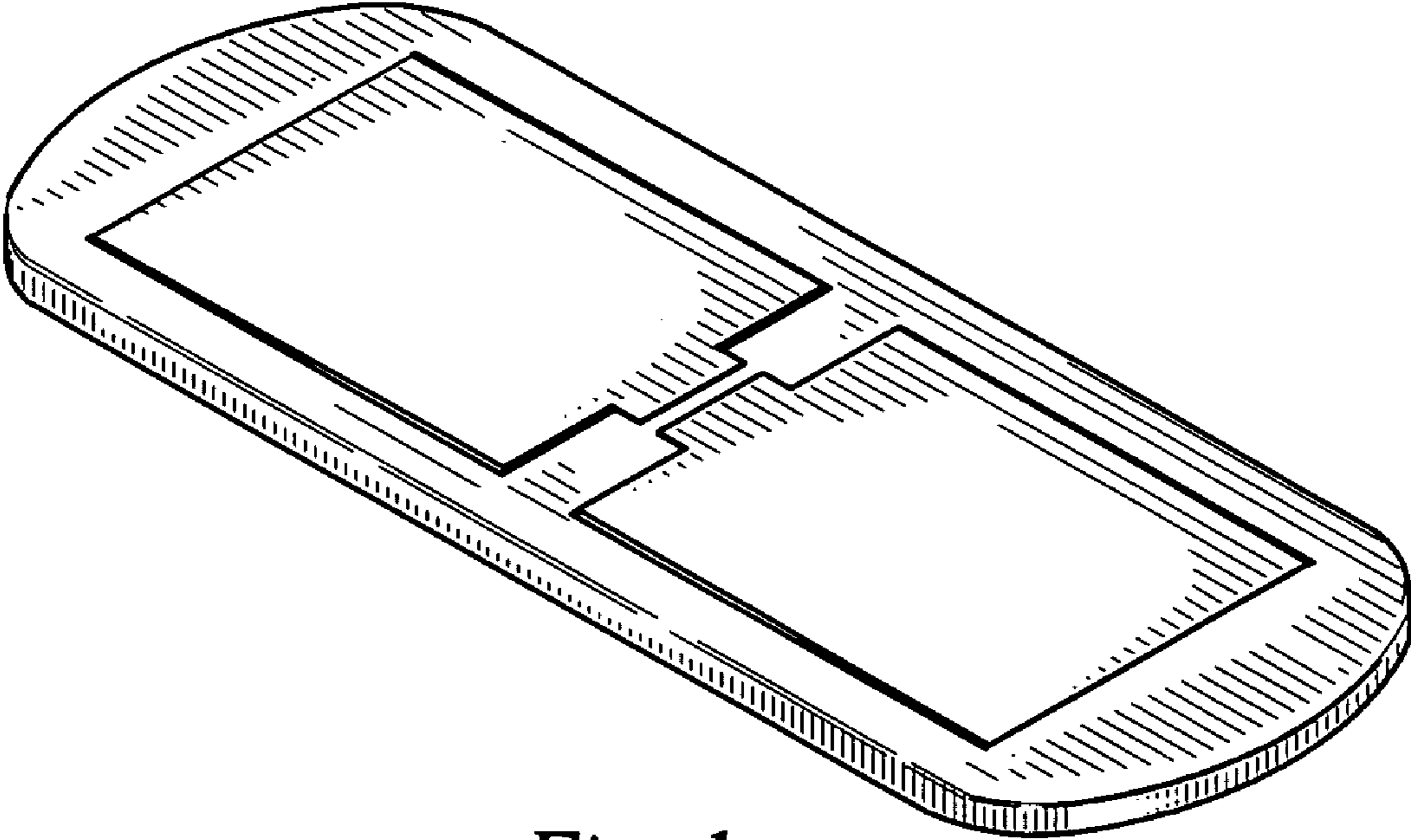


Fig. 1

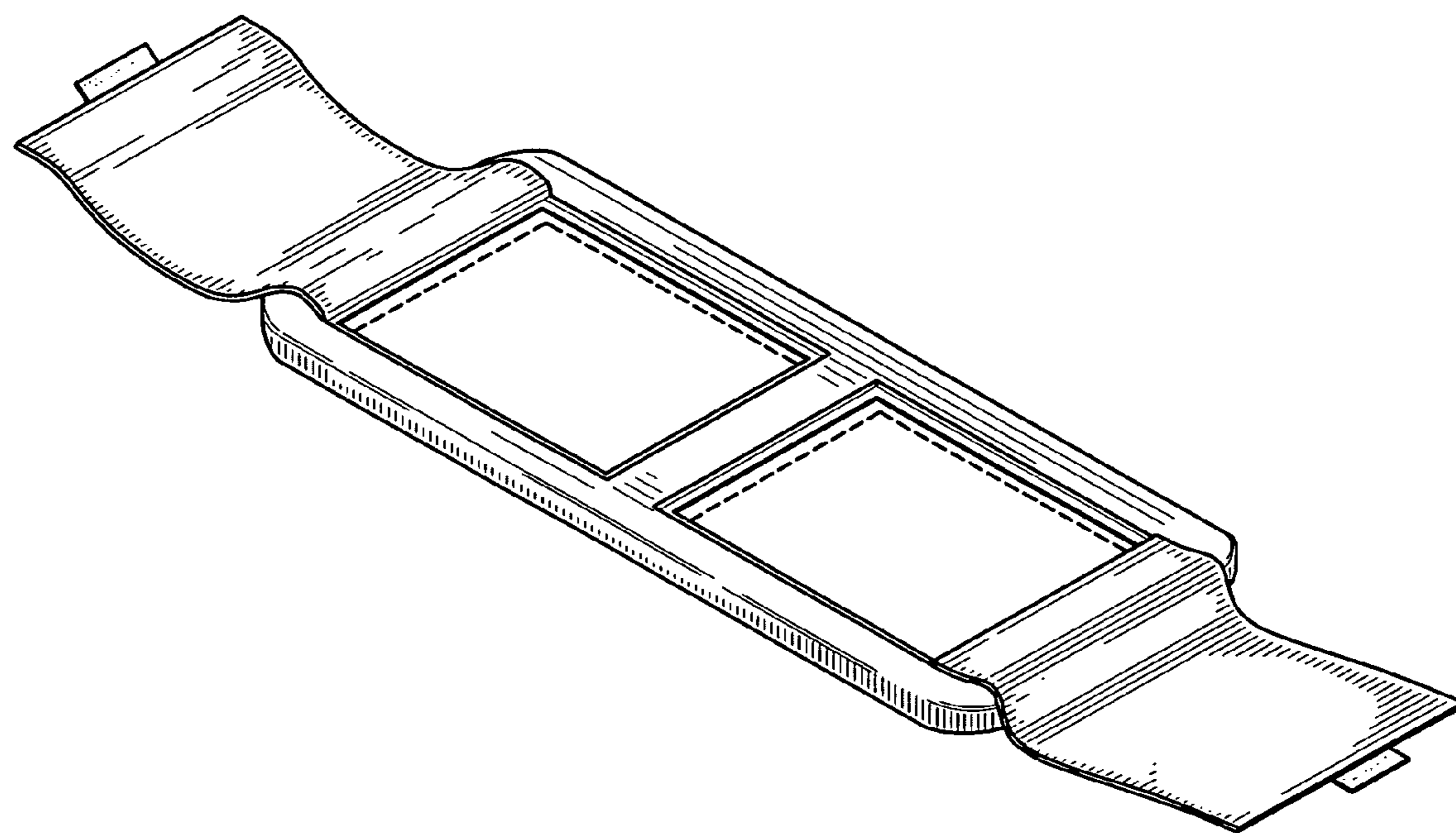


Fig. 2



Fig. 3



Fig. 4



Fig. 5

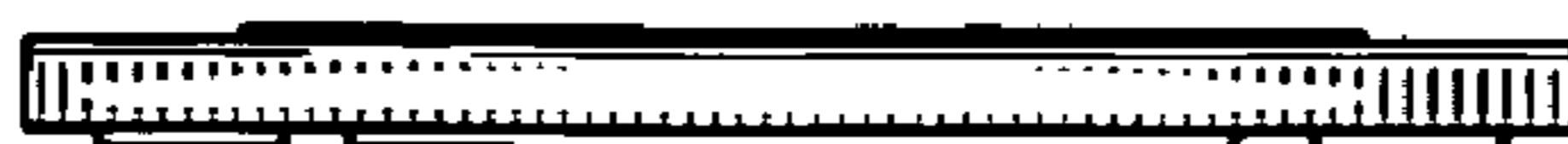


Fig. 6

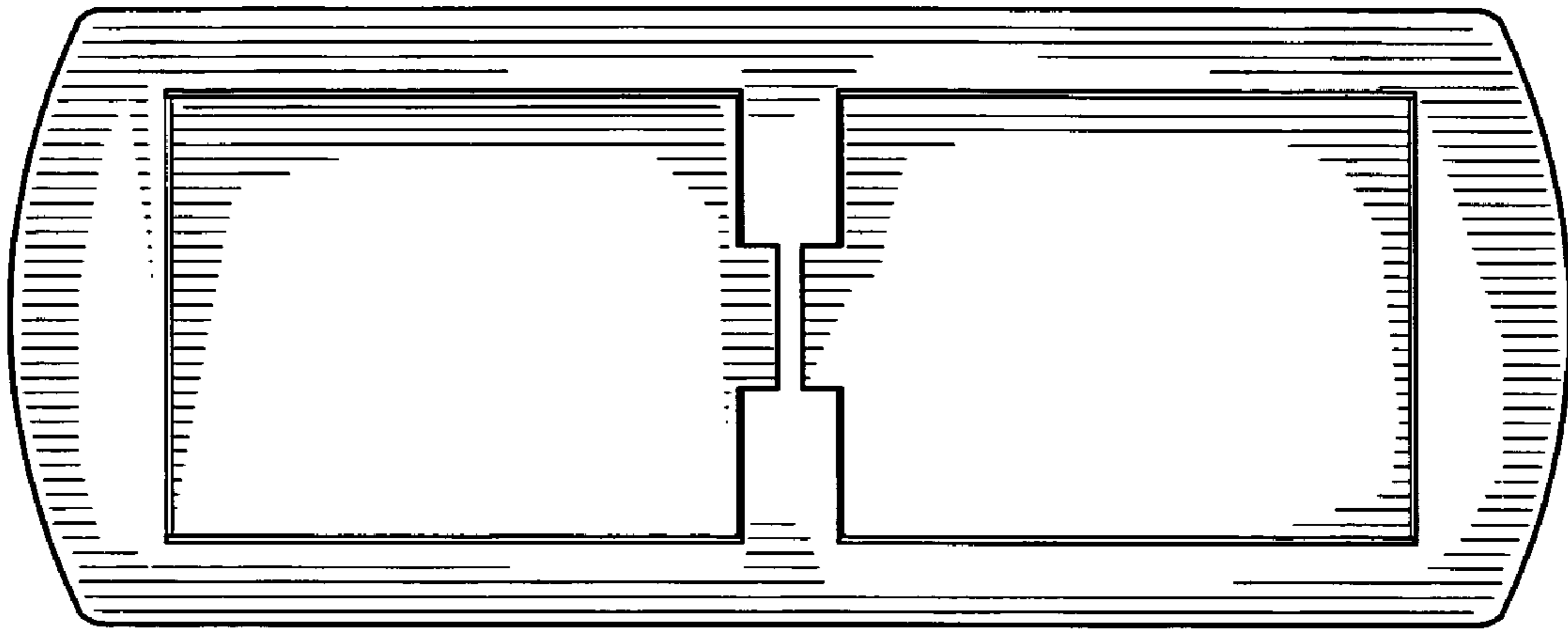


Fig. 7

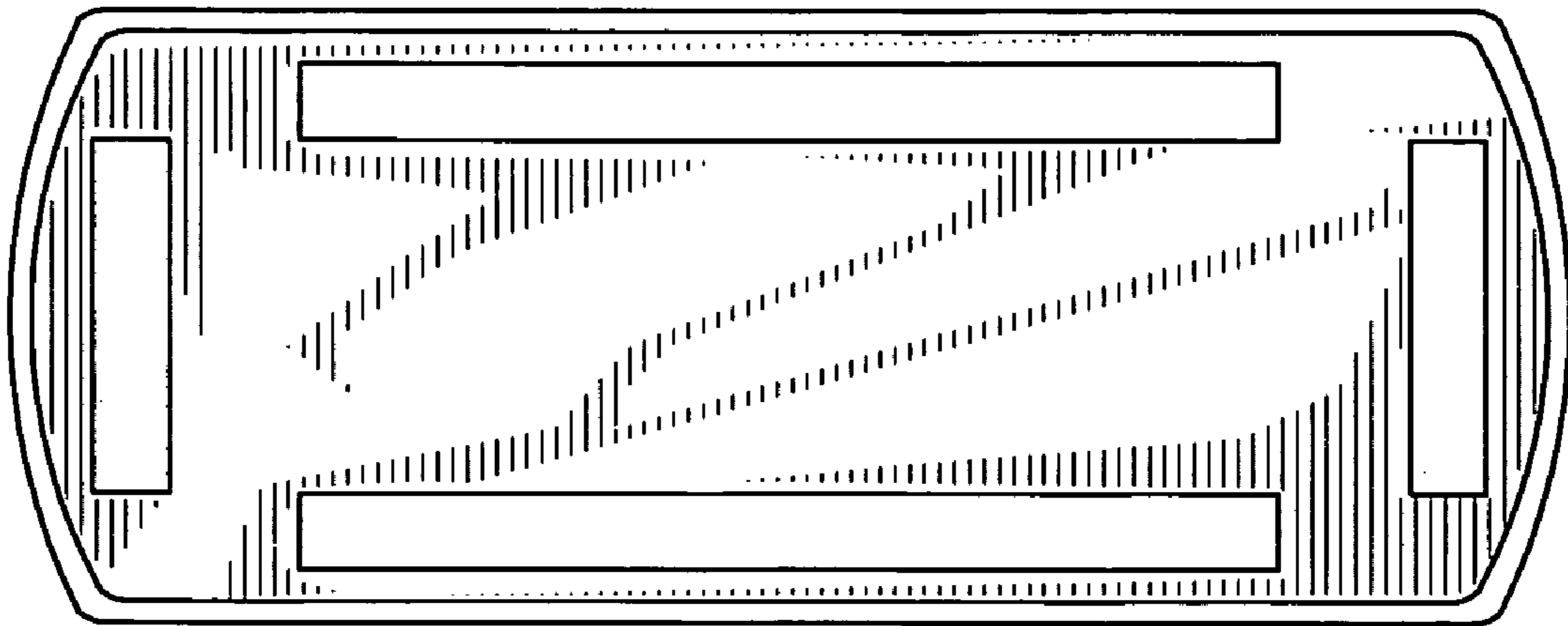


Fig. 8