



US00D603720S

(12) **United States Design Patent**  
**Cesare et al.**

(10) **Patent No.:** **US D603,720 S**

(45) **Date of Patent:** **\*\* Nov. 10, 2009**

(54) **CONTAINER WITH SWABS**

D592,075 S \* 5/2009 Holcomb ..... D9/721  
2006/0219585 A1\* 10/2006 Cho ..... 206/362

(75) Inventors: **Slavica Cesare**, Trumbull, CT (US);  
**Joshua Michael Sternthal**, Stamford,  
CT (US); **Scot Lawrence Forrest**,  
Wolcott, CT (US); **Richard Paul**  
**McNabb**, Milford, CT (US)

\* cited by examiner

*Primary Examiner*—Stella M Reid  
*Assistant Examiner*—Shanda C Hill  
(74) *Attorney, Agent, or Firm*—Milton L. Honig

(73) Assignee: **Conopco, Inc.**, Englewood Cliffs, NJ  
(US)

(57) **CLAIM**

(\*\*) Term: **14 Years**

The ornamental design for a container with swabs, as shown  
and described.

(21) Appl. No.: **29/327,303**

**DESCRIPTION**

(22) Filed: **Nov. 4, 2008**

FIG. 1 is a perspective view of a container with swabs accord-  
ing to our new design;

(51) **LOC (9) Cl.** ..... **09-01**

FIG. 2 is a front elevational view thereof;

(52) **U.S. Cl.** ..... **D9/721**

FIG. 3 is a rear elevational view thereof;

(58) **Field of Classification Search** ..... D9/414–418,  
D9/430, 432; D3/201, 203.1, 203.5, 203.6;  
206/362, 461, 526, 806, 815

FIG. 4 is a left side elevational view thereof;

See application file for complete search history.

FIG. 5 is a right side elevational view thereof;

FIG. 6 is a top plan view thereof; and,

FIG. 7 is a bottom plan view thereof.

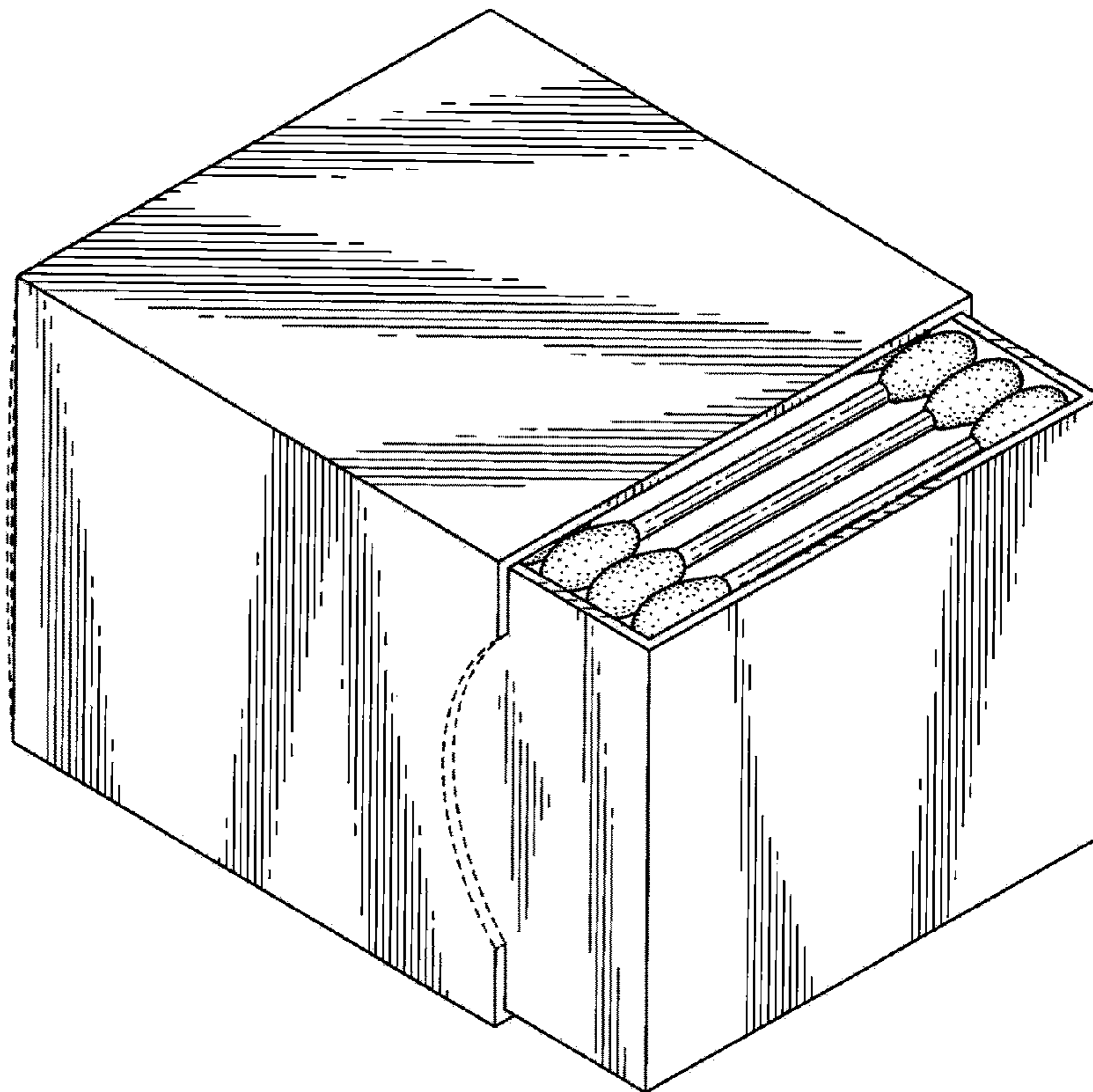
(56) **References Cited**

The broken lines showing a rear panel and a curved cut-out  
area on the side panels of the container are present only for  
illustrative purposes and do not form part of the claimed  
design.

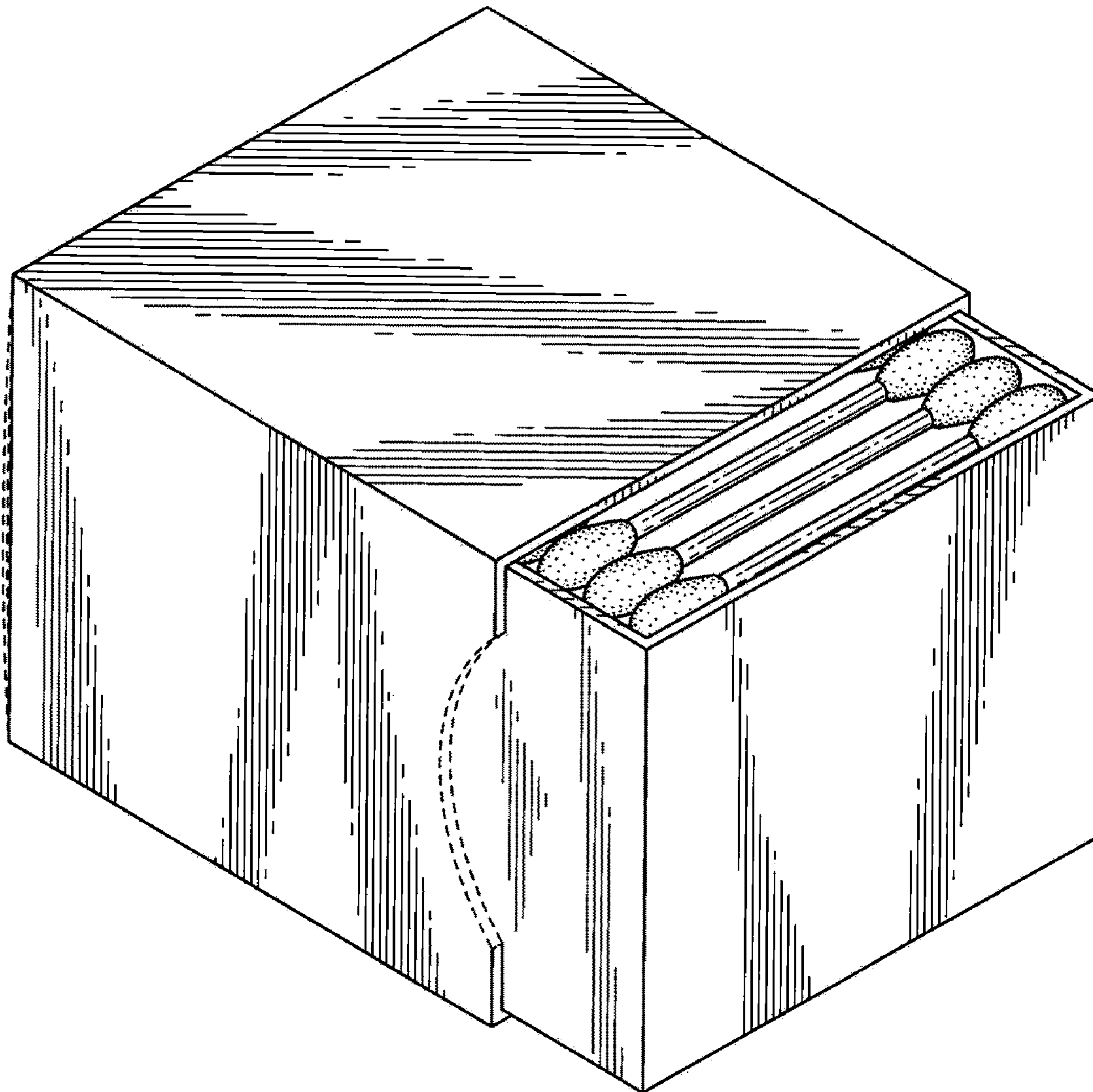
**U.S. PATENT DOCUMENTS**

3,246,740	A *	4/1966	Guyer	.....	206/362
3,313,407	A *	4/1967	Palm, Jr.	.....	206/526
5,549,200	A	8/1996	Cowan et al.		
5,938,026	A	8/1999	Thorn		
D438,101	S *	2/2001	Koster	.....	D9/721

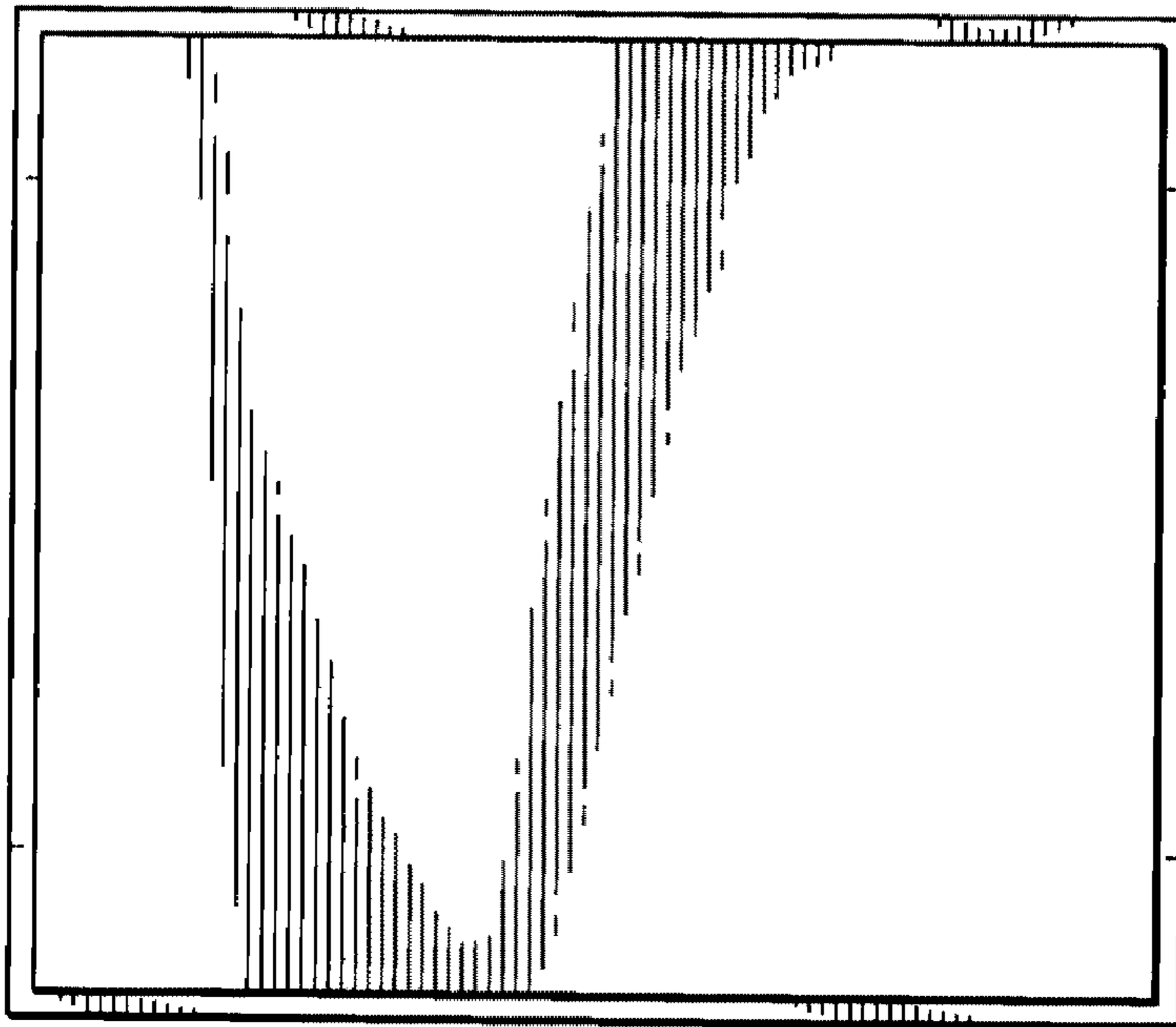
**1 Claim, 4 Drawing Sheets**



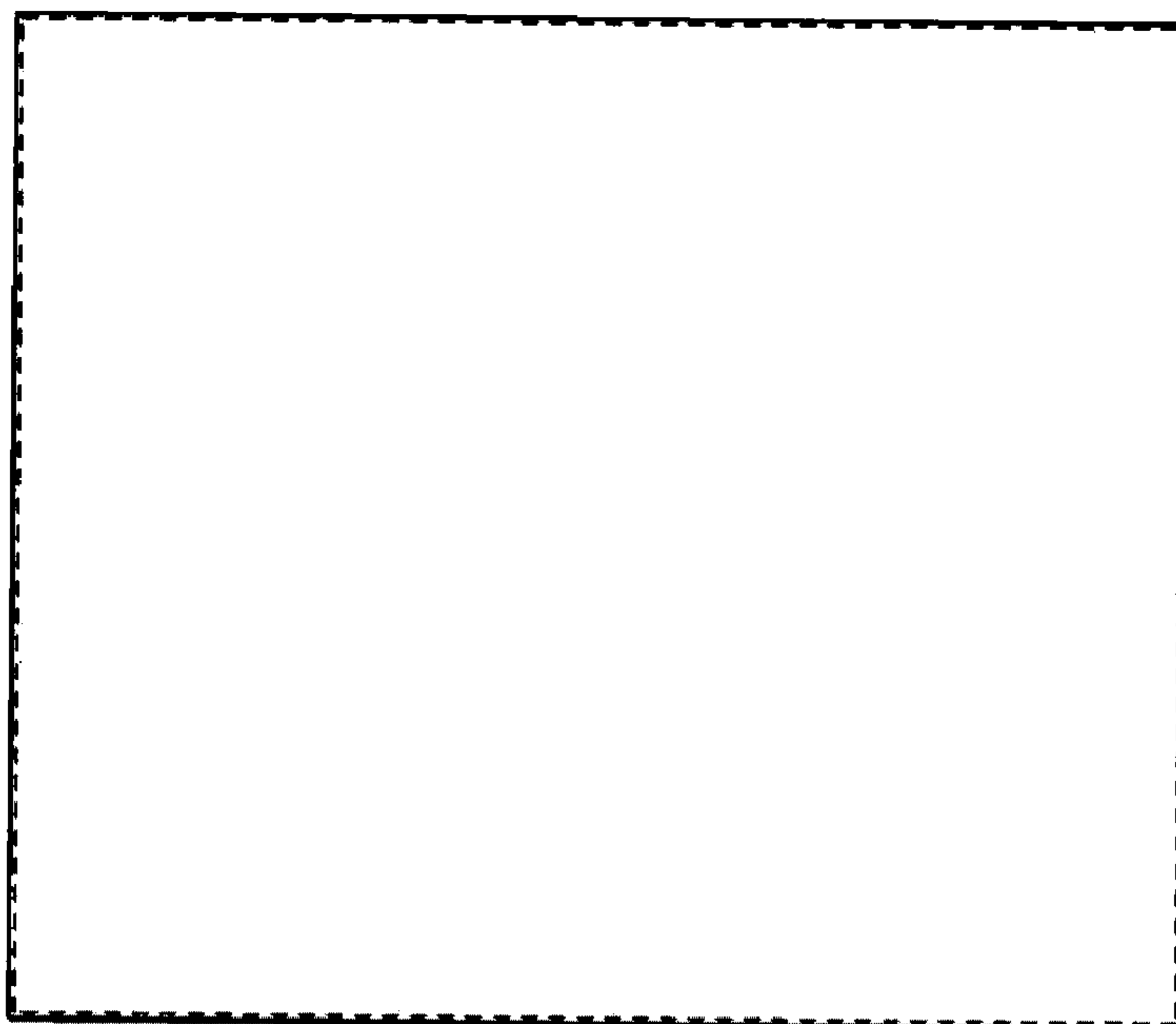
**FIG. 1**



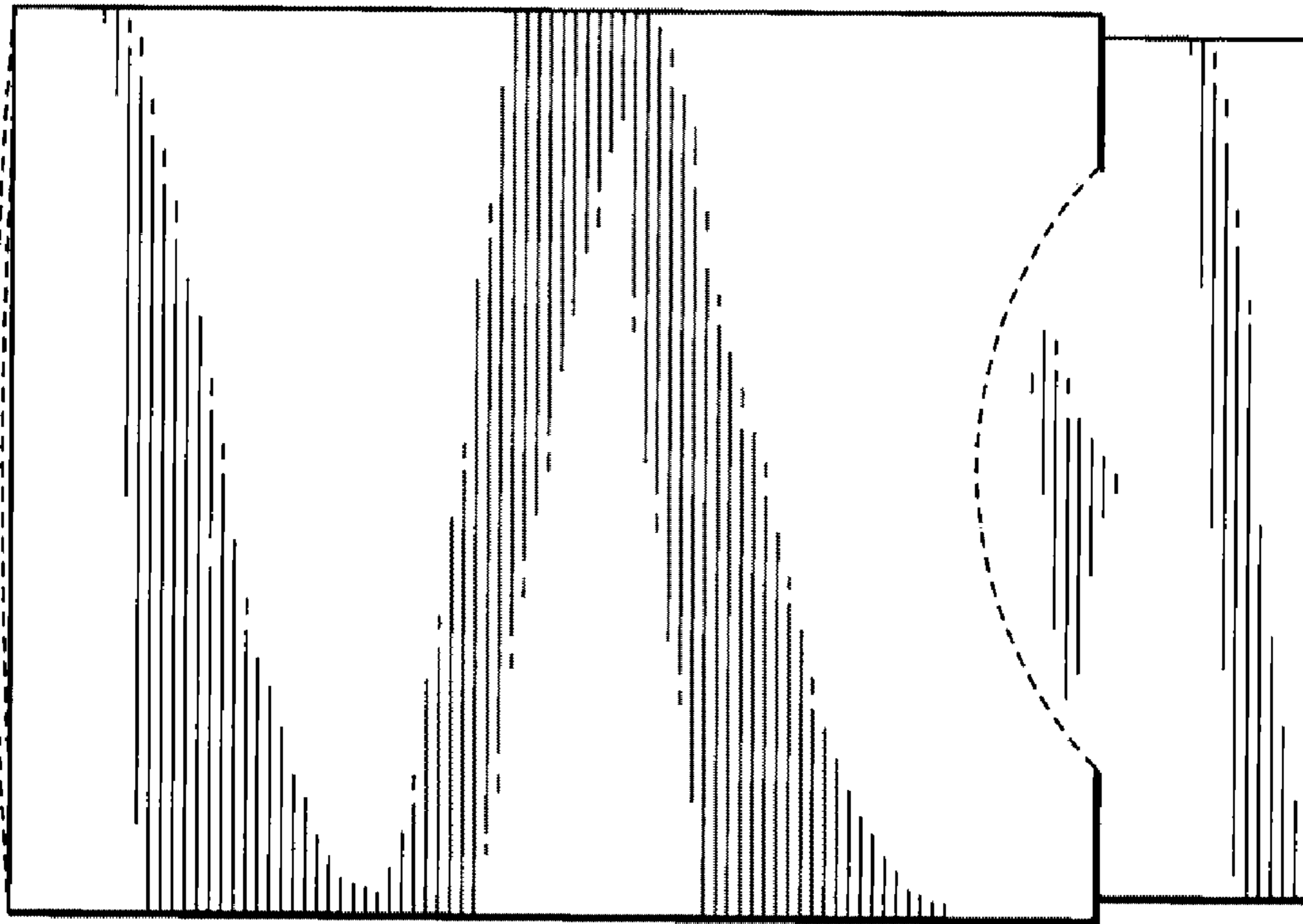
**FIG. 2**



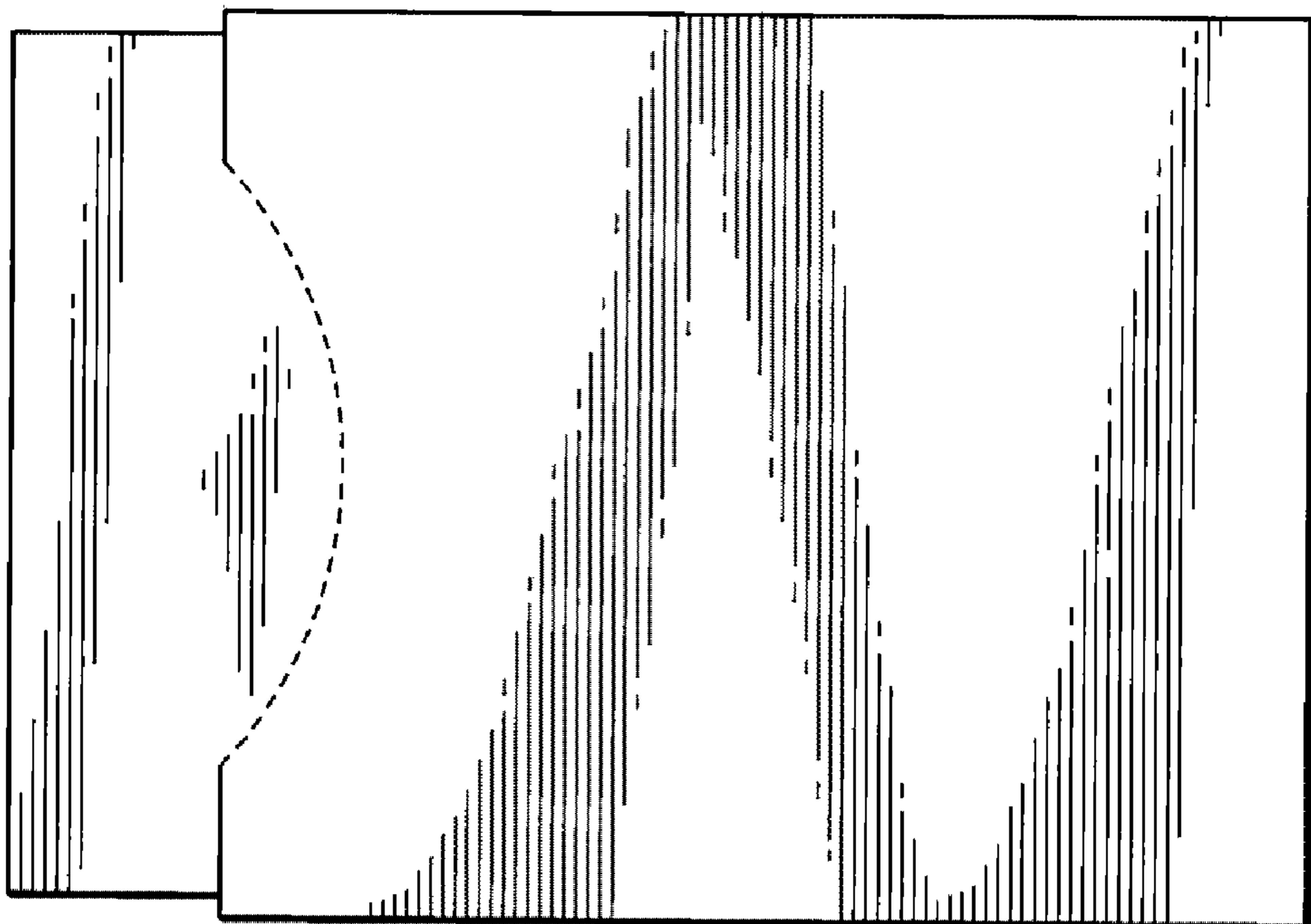
**FIG. 3**



**FIG. 4**

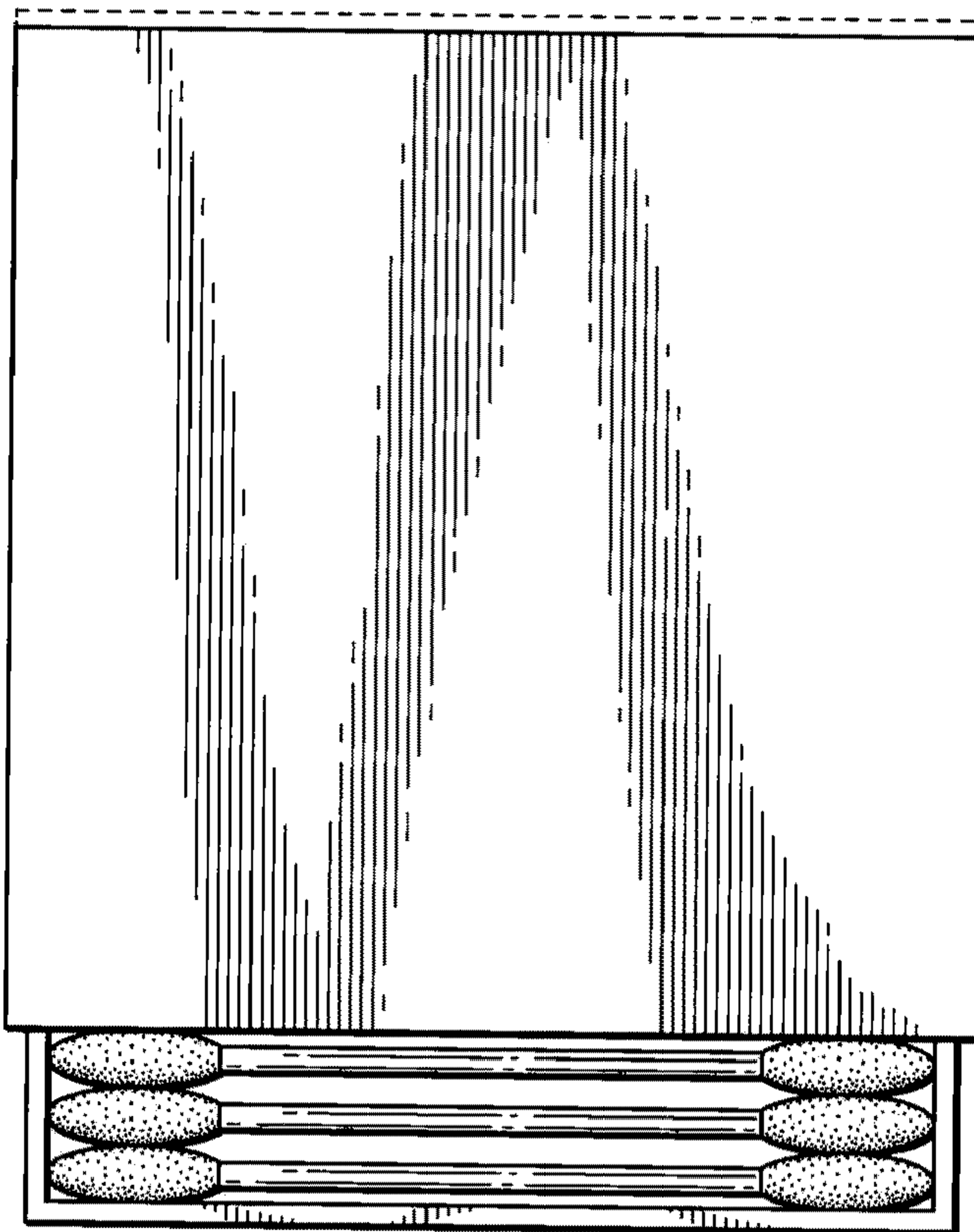


**FIG. 5**





*FIG. 6*



*FIG. 7*

