



US00D603707S

(12) **United States Design Patent**  
**Lourenco et al.**

(10) **Patent No.:** **US D603,707 S**  
(45) **Date of Patent:** **\*\* Nov. 10, 2009**

(54) **CONTAINER FOR PHARMACEUTICALS AND NEUTRACEUTICALS**

(75) Inventors: **Armindo Lourenco**, Novelles-Godault (FR); **Valère Logel**, Levallois Perret (FR)

(73) Assignee: **Airsec**, Choisy le Roi (FR)

(\*\*) Term: **14 Years**

(21) Appl. No.: **29/326,354**

(22) Filed: **Oct. 16, 2008**

(51) **LOC (9) Cl.** ..... **09-01**

(52) **U.S. Cl.** ..... **D9/502; D9/557**

(58) **Field of Classification Search** ..... D9/500,  
D9/502-503, 520, 537-539, 549-550, 557-558;  
215/379, 381-384; 220/660, 669-673, 675,  
220/677

See application file for complete search history.

(56) **References Cited**

**U.S. PATENT DOCUMENTS**

D200,362	S	*	2/1965	Nelson	.....	D9/503
3,212,663	A	*	10/1965	Greenwell	.....	215/42
D236,433	S	*	8/1975	Strand	.....	D9/500
D278,597	S	*	4/1985	McAlinden	.....	D9/500
D338,832	S	*	8/1993	Osip et al.	.....	D9/502
D387,672	S	*	12/1997	Biesecker	.....	D9/540
D435,450	S	*	12/2000	Eisenbarth	.....	D9/500
D499,649	S	*	12/2004	Olivares et al.	.....	D9/502

D570,217 S \* 6/2008 Meillerais ..... D9/502

\* cited by examiner

*Primary Examiner*—Ian Simmons

*Assistant Examiner*—Dana L Sipos

(74) *Attorney, Agent, or Firm*—Scott R. Cox

(57) **CLAIM**

The ornamental design for a container for pharmaceuticals and neutraceuticals, as shown and described.

**DESCRIPTION**

FIG. 1 is a top, front, right side perspective view of a container for pharmaceuticals and neutraceuticals showing a first embodiment of our new design;

FIG. 2 is a top, front, right side perspective view of a container for pharmaceuticals and neutraceuticals showing a second embodiment of our new design;

FIG. 3 is a top plan view of the container of FIG. 1;

FIG. 4 is a top plan view of the container of FIG. 2;

FIG. 5 is a front elevation view of the container of FIG. 1;

Fig. 6 is a front elevation view the container of FIG. 2;

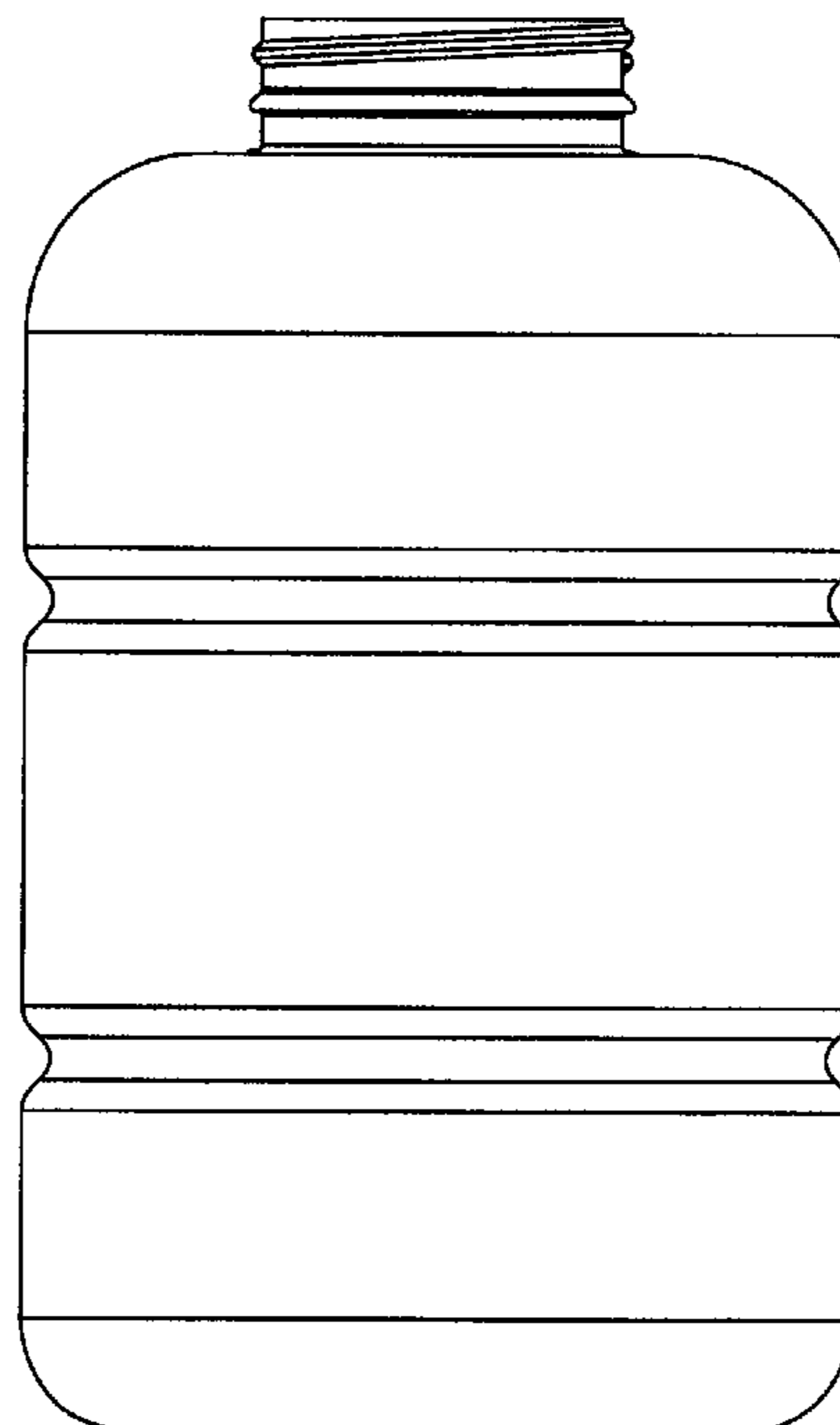
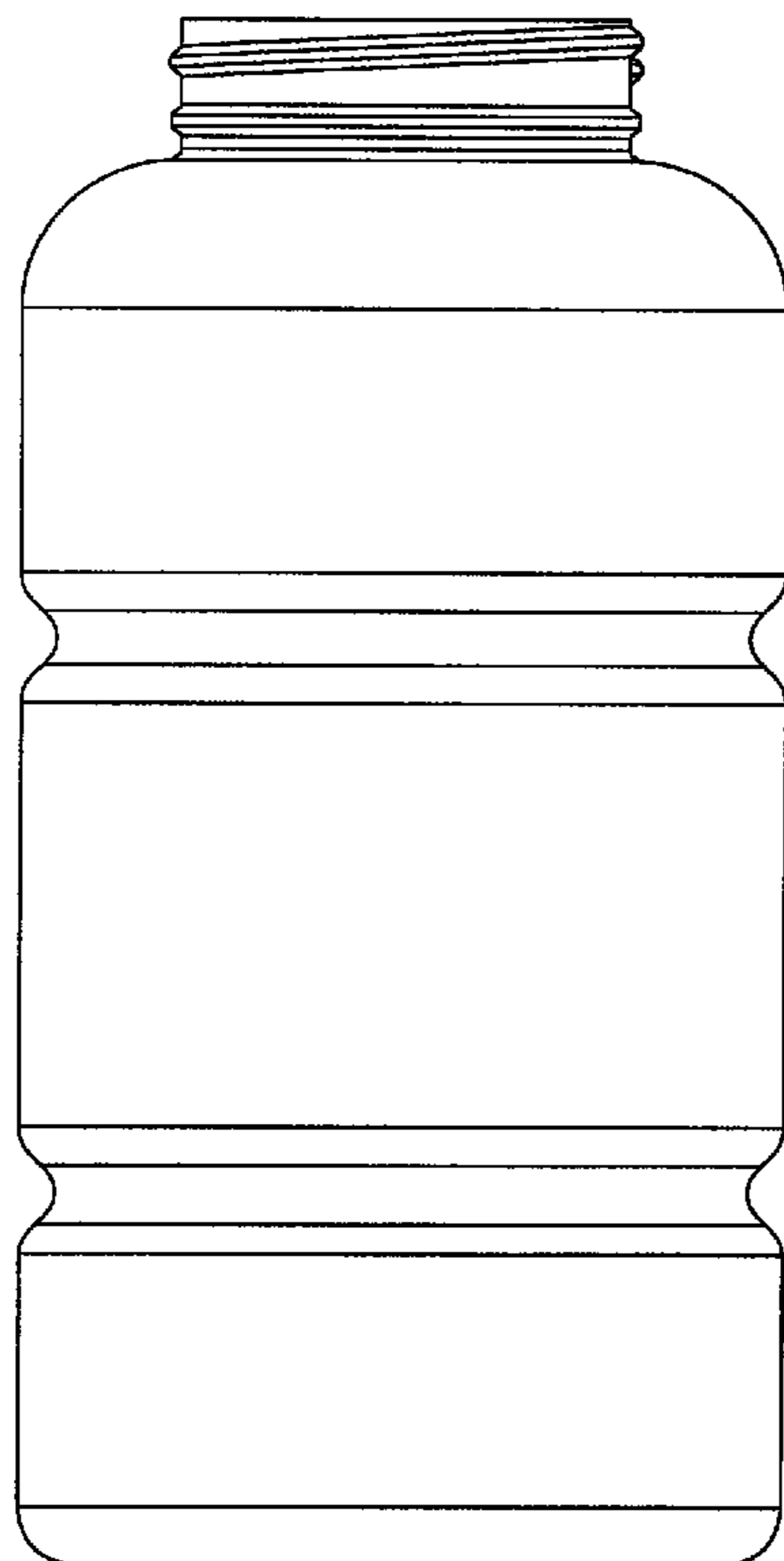
FIG. 7 is a right side elevation view of the container of FIG. 1;

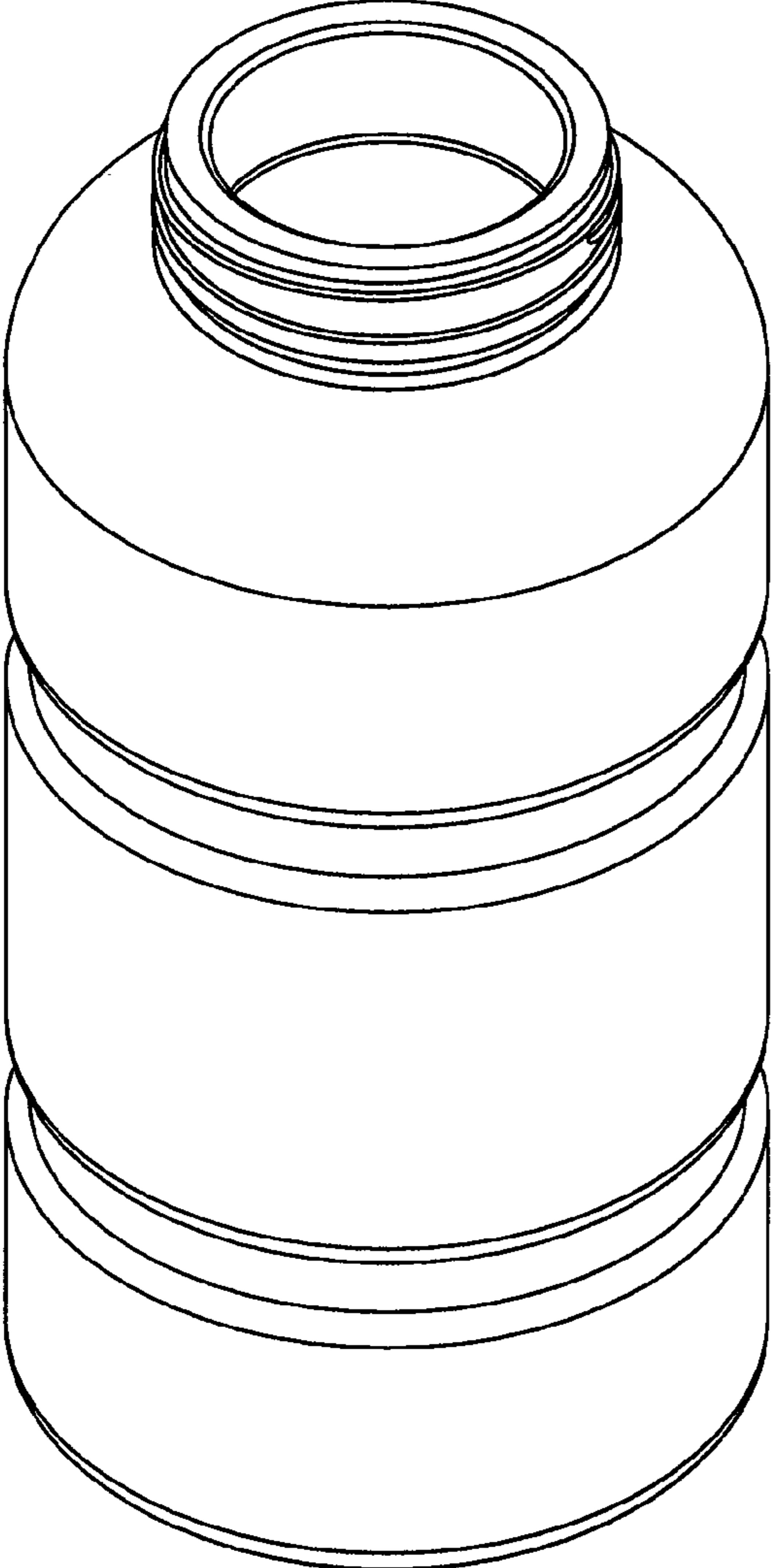
FIG. 8 is a right side elevation view of the container of FIG. 2;

FIG. 9 is a left side elevation view of the container of FIG. 1; and,

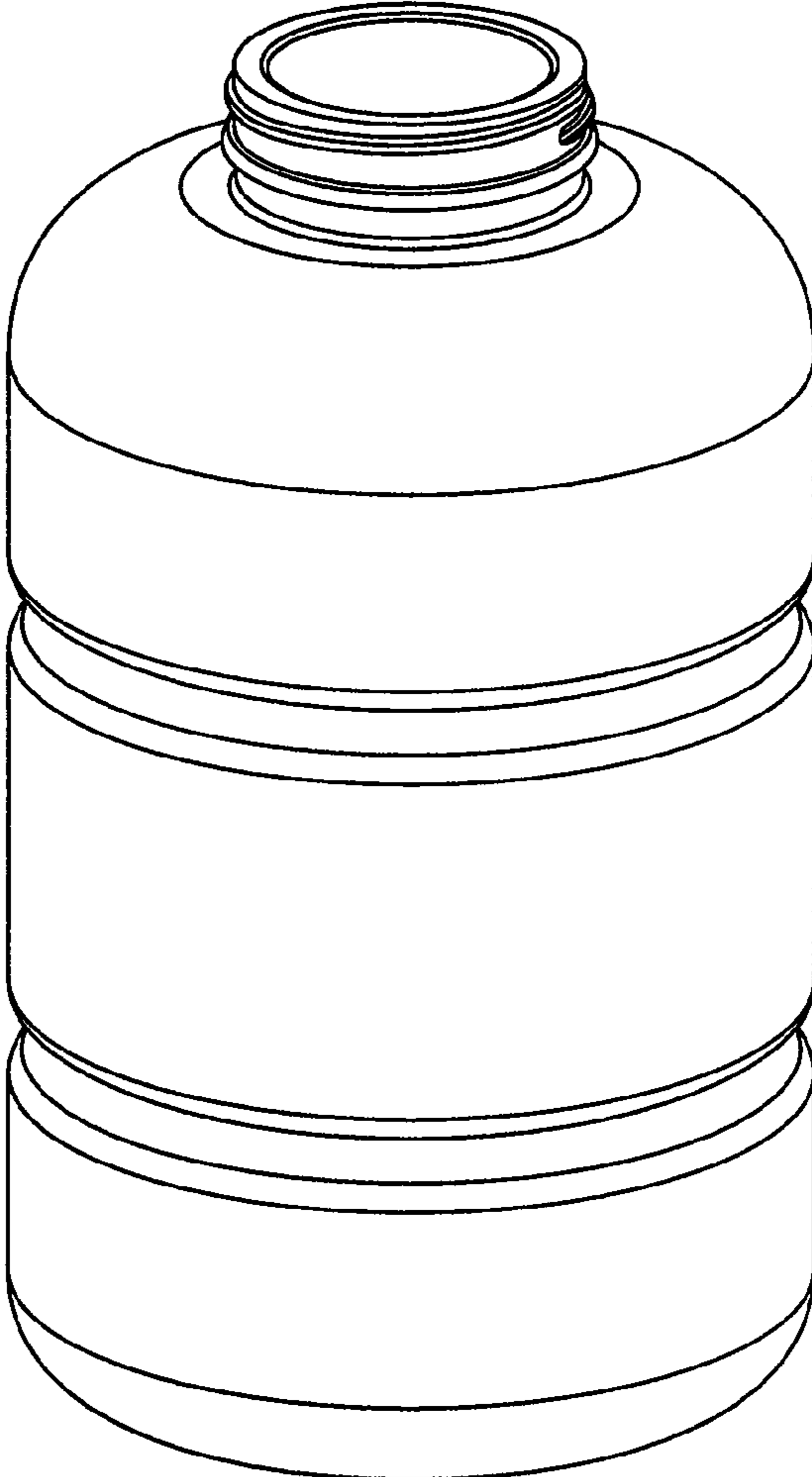
FIG. 10 is a left side elevation view of the container of FIG. 2.

**1 Claim, 4 Drawing Sheets**

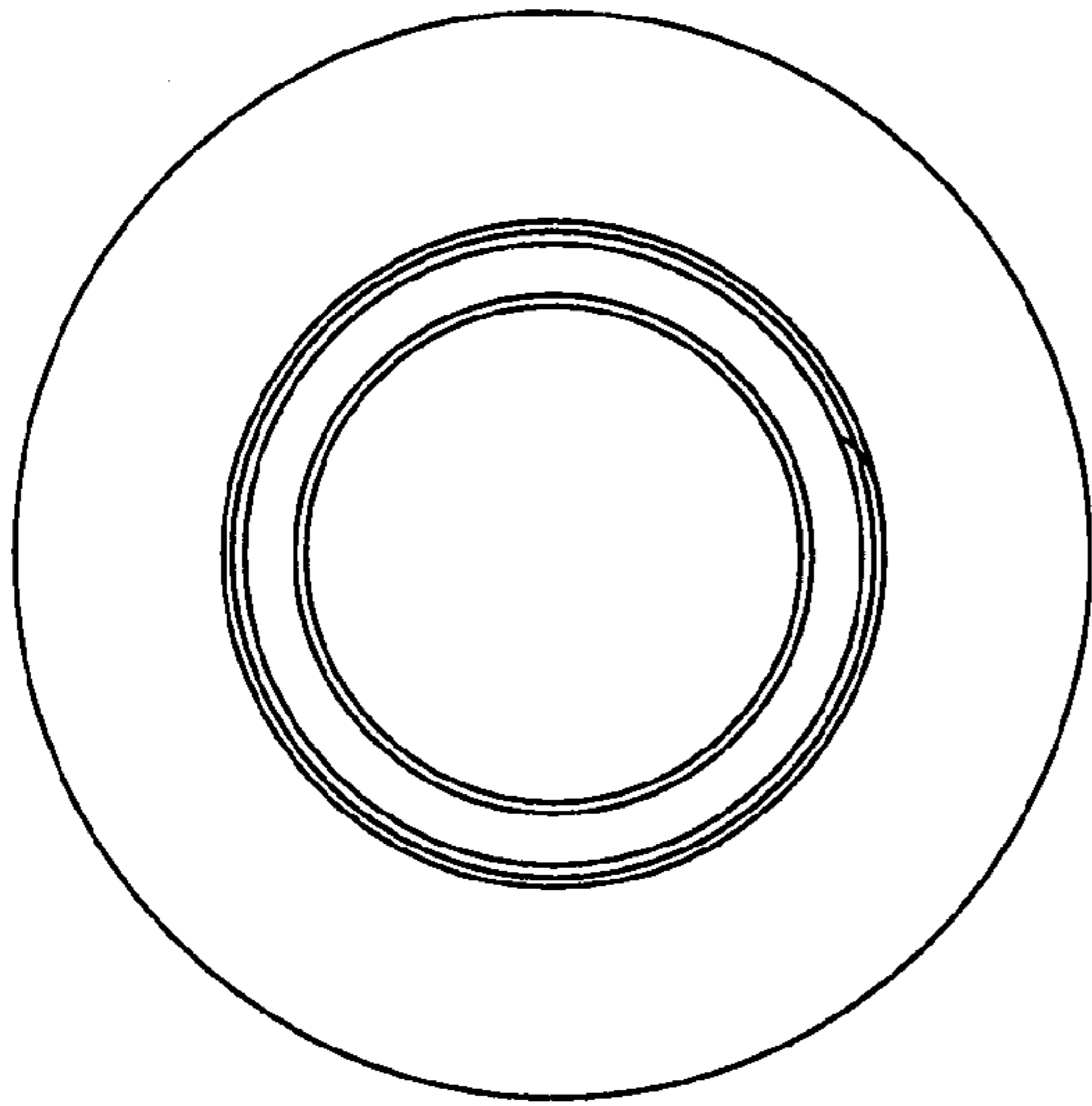




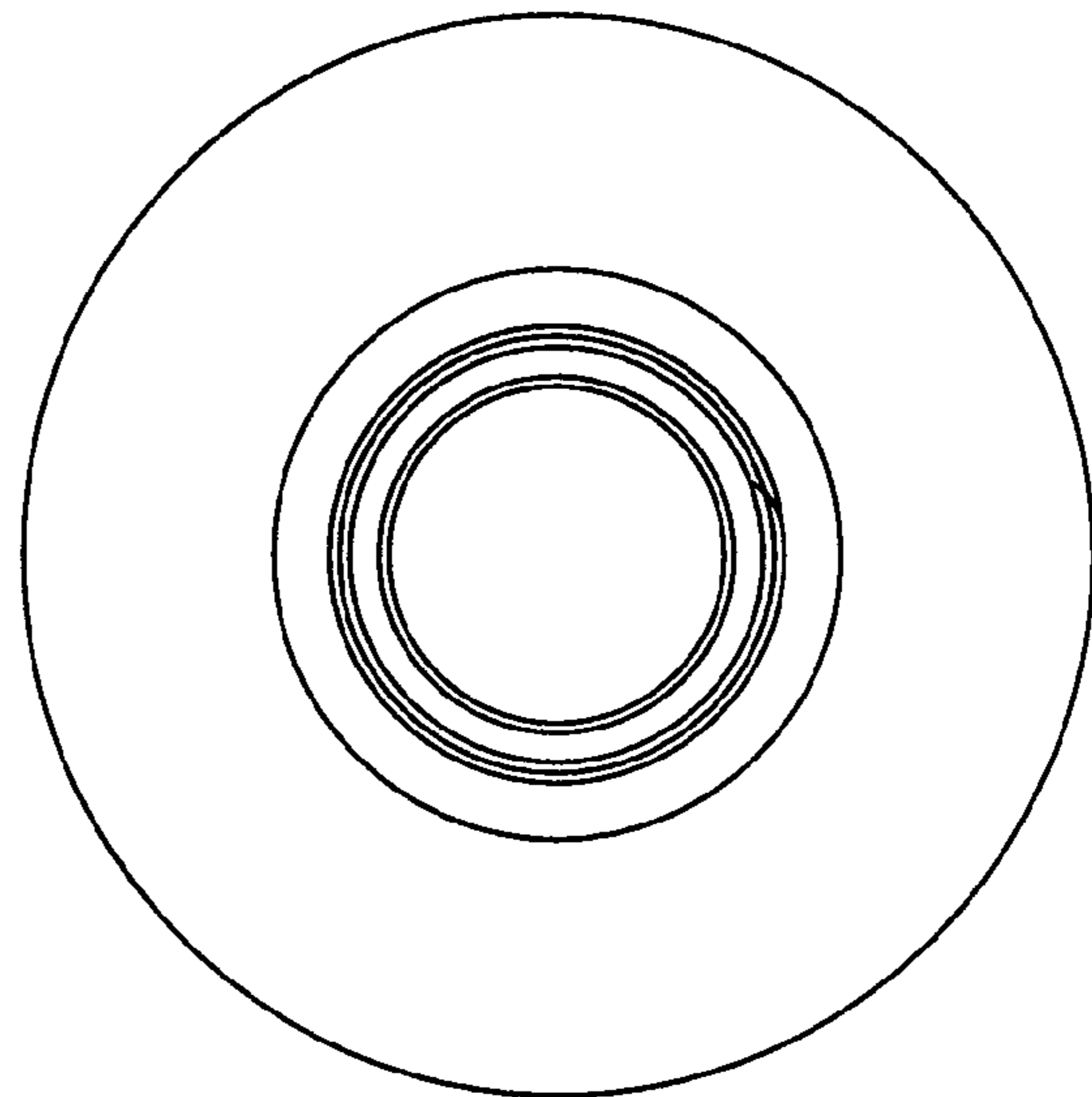
**FIG. 1**



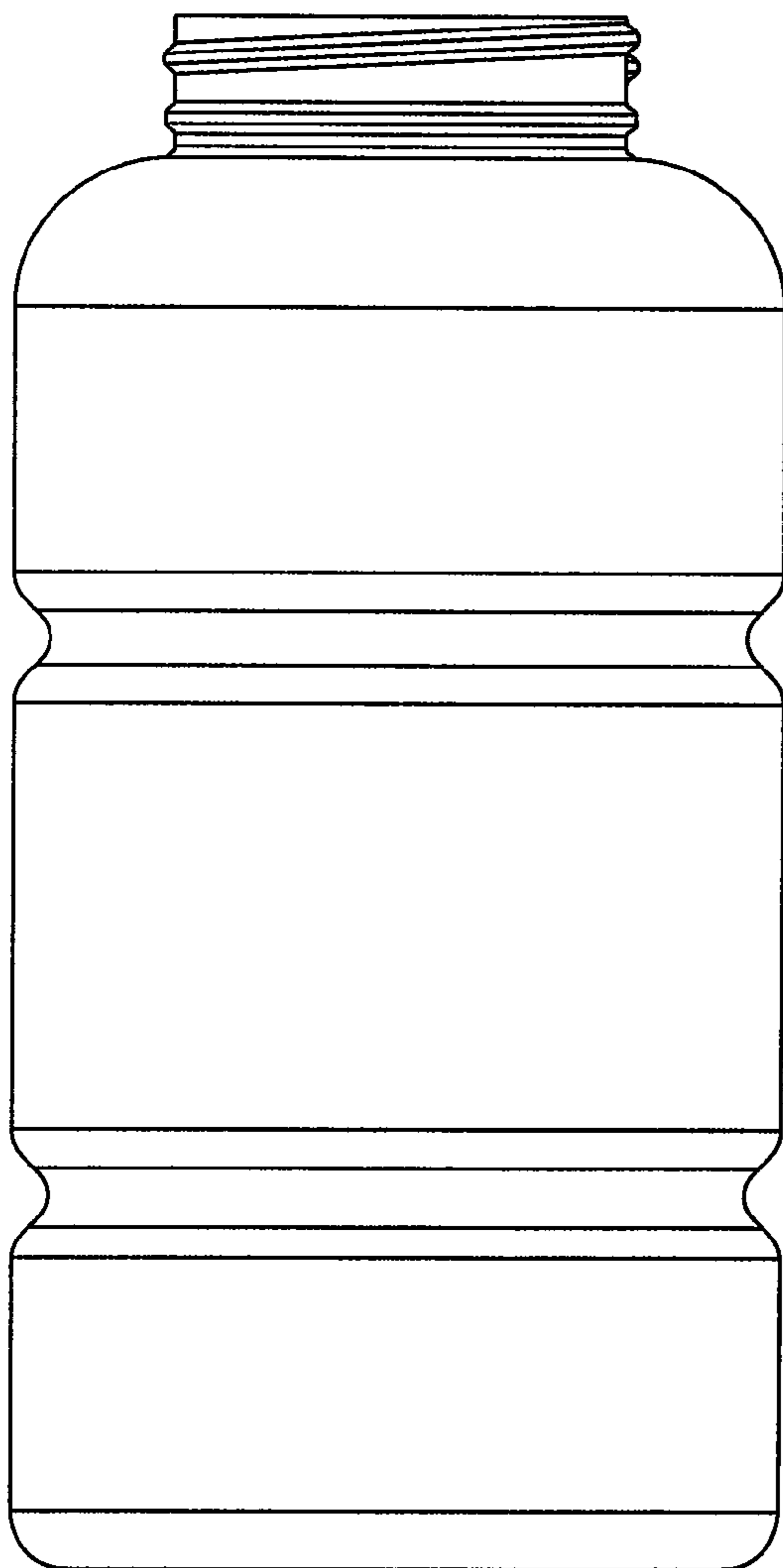
**FIG. 2**



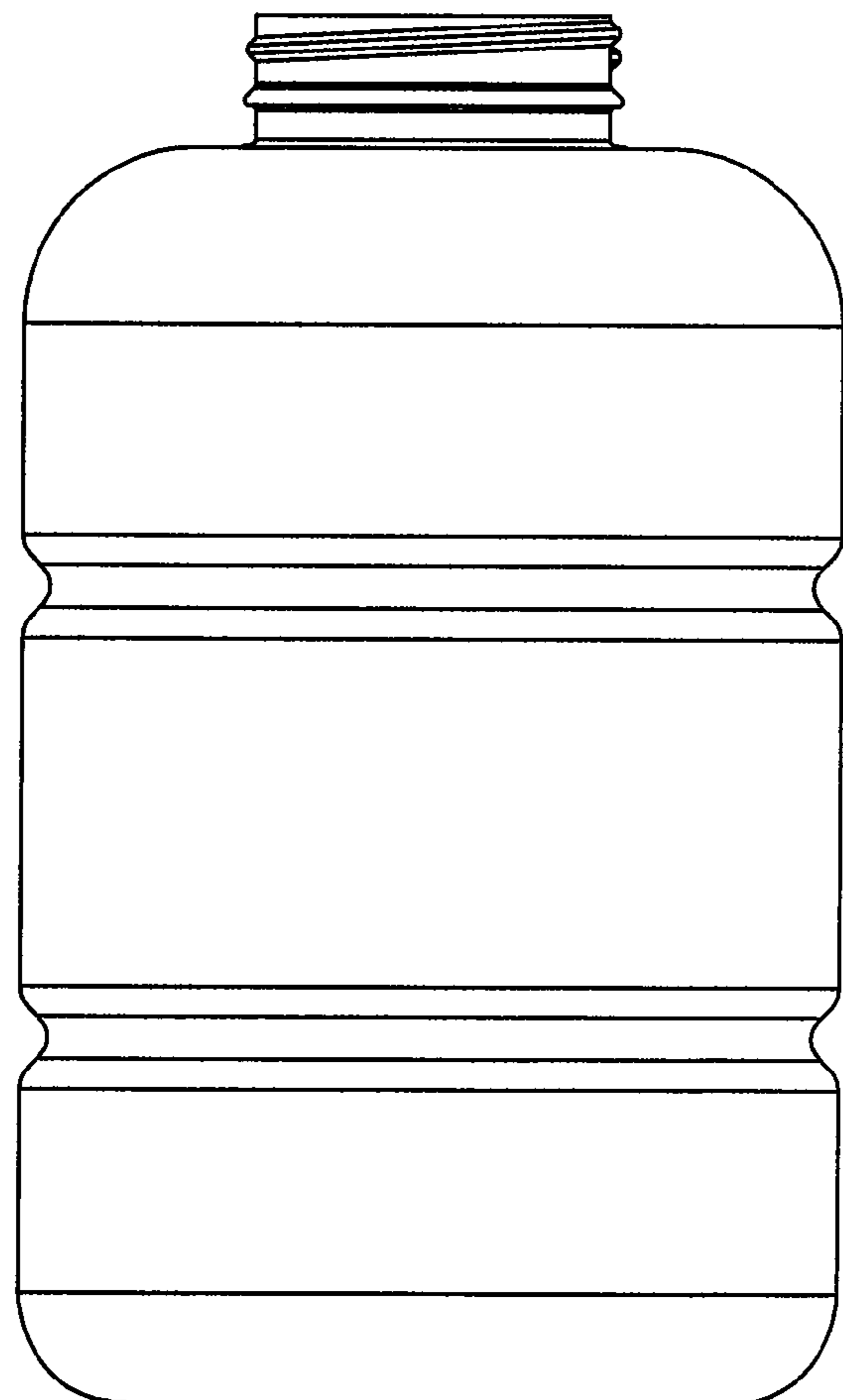
**FIG. 3**



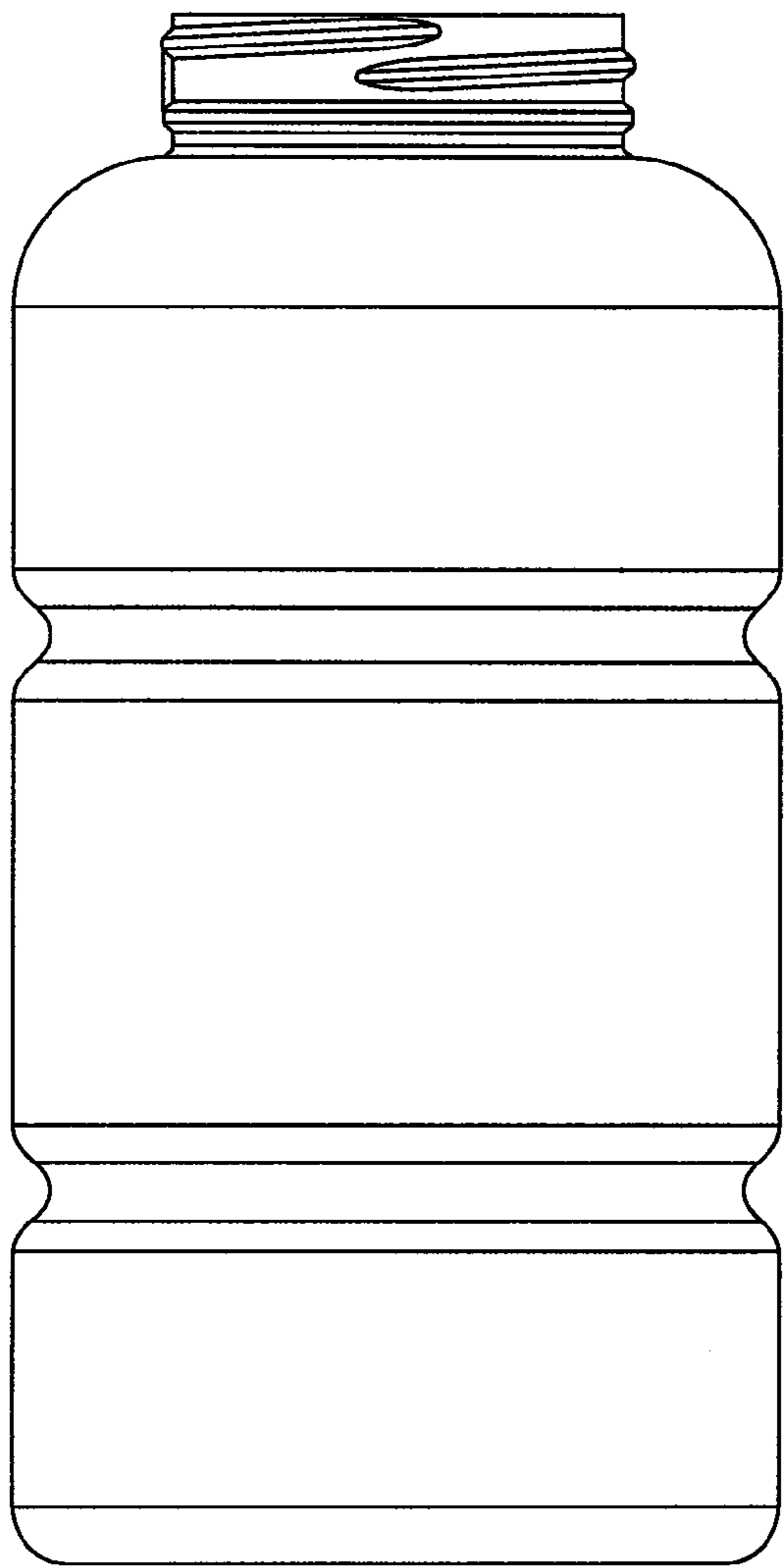
**FIG. 4**



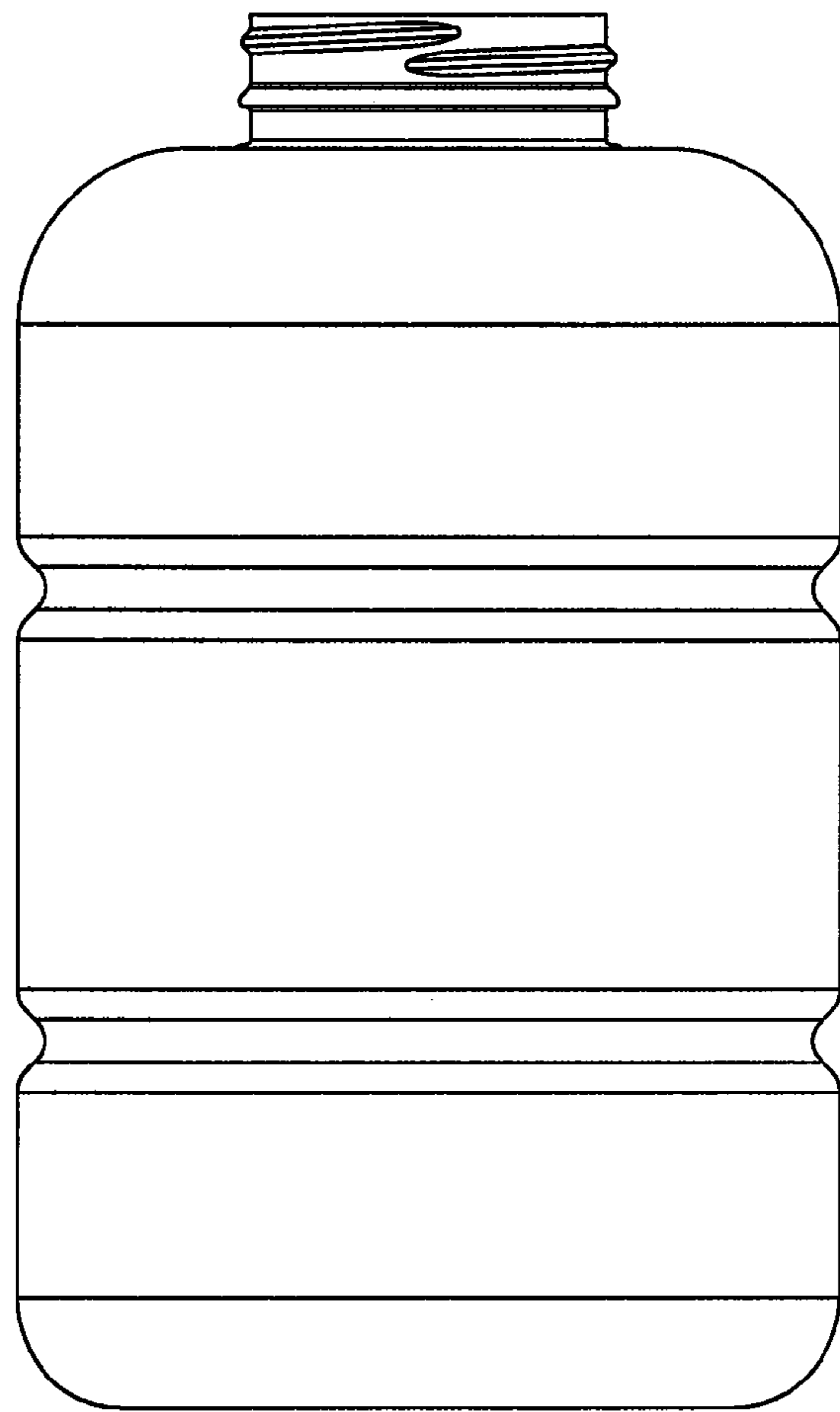
**FIG. 5**



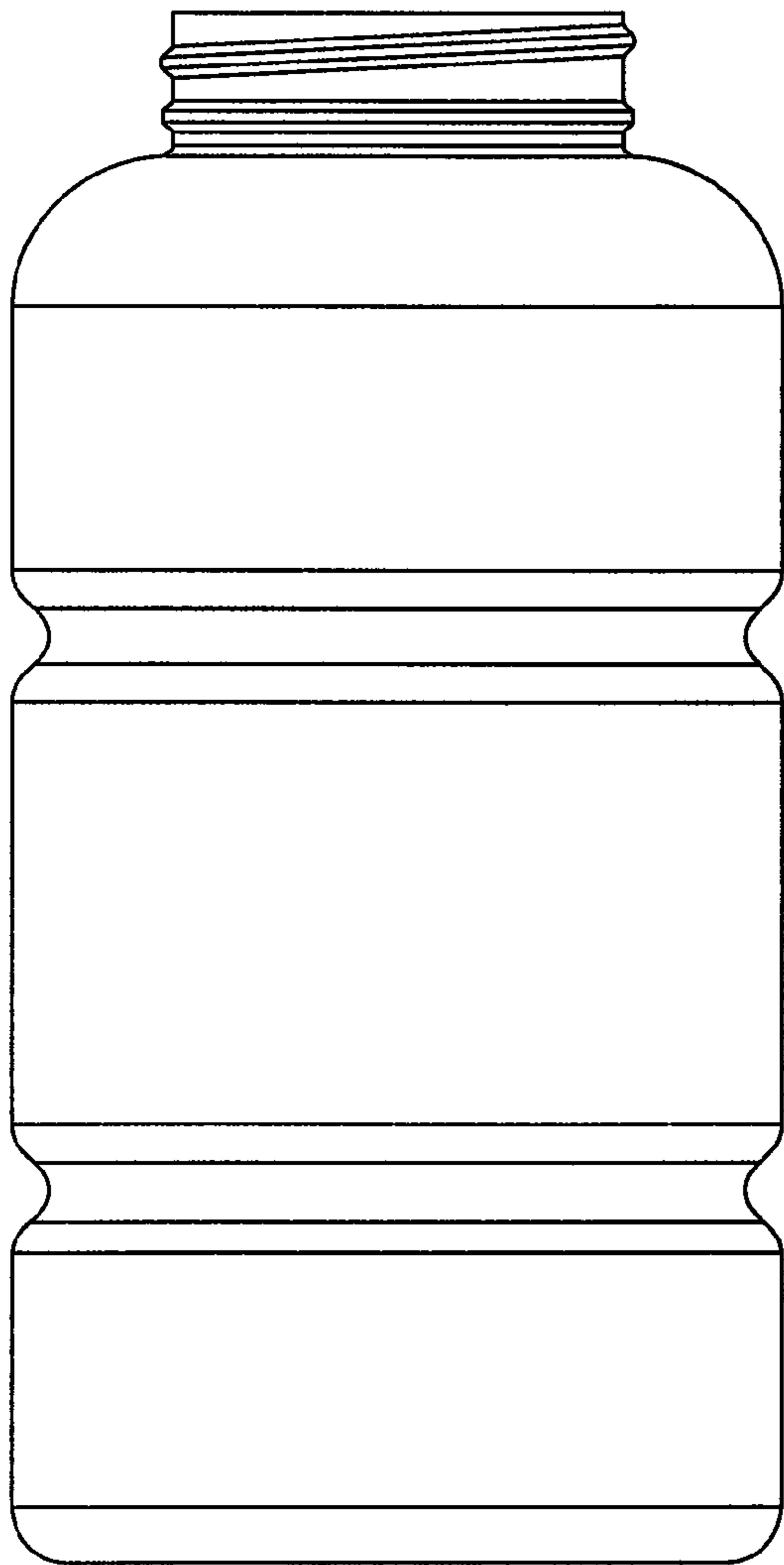
**FIG. 6**



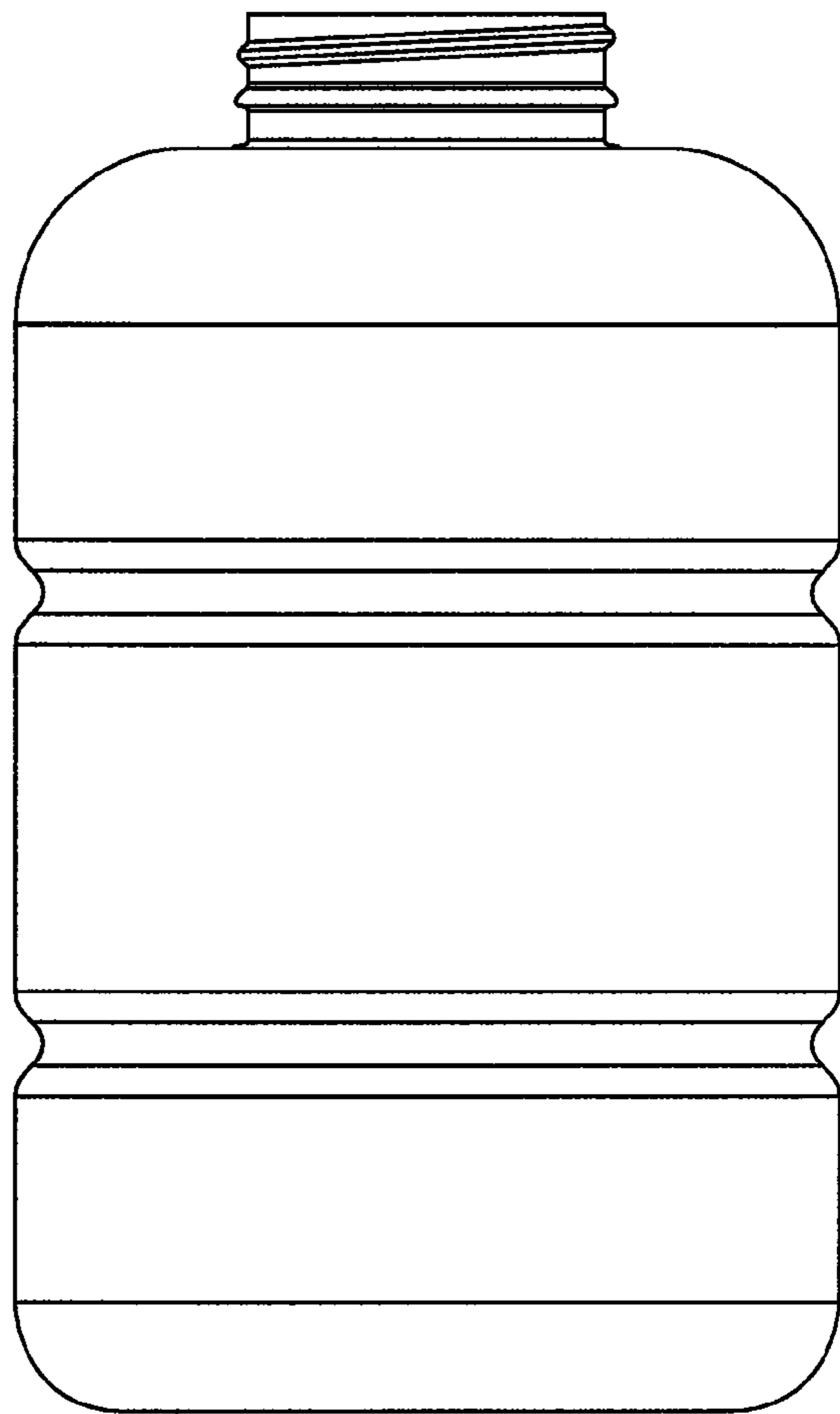
**FIG. 7**



**FIG. 8**



**FIG. 9**



**FIG. 10**