



US00D603706S

(12) **United States Design Patent**  
**Wolff et al.**

(10) **Patent No.:** **US D603,706 S**

(45) **Date of Patent:** **\*\* Nov. 10, 2009**

(54) **SHAPED BOTTLE**

D569,263 S \* 5/2008 Bradley et al. .... D9/691

(76) Inventors: **Stephen Wolff**, Wolff Medical  
Marketing and Design, LLC, 110 E.  
42nd St., Suite 1418, New York, NY  
(US) 10017; **Don Lee**, 28 Lyncrest Ave.,  
New City, NY (US) 10956

\* cited by examiner

*Primary Examiner*—Ian Simmons

*Assistant Examiner*—Dana L Sipos

(74) *Attorney, Agent, or Firm*—Lerner, David, Littenberg,  
Krumholz & Mentlik, LLP

(\*\*) Term: **14 Years**

(21) Appl. No.: **29/310,121**

(22) Filed: **Jul. 25, 2008**

(51) **LOC (9) Cl.** ..... **09-01**

(52) **U.S. Cl.** ..... **D9/500**

(58) **Field of Classification Search** ..... D9/500,  
D9/504–505, 519, 545, 686, 688–692; 215/379,  
215/381–384; 220/660, 662–663, 669–673,  
220/675; D28/91.1

See application file for complete search history.

(56) **References Cited**

**U.S. PATENT DOCUMENTS**

D74,727 S \* 3/1928 Eaton ..... D9/635  
D253,337 S \* 11/1979 Bass et al. .... D9/690  
D386,412 S \* 11/1997 Heinz ..... D9/500  
D416,154 S \* 11/1999 Diehl ..... D6/542  
D557,606 S \* 12/2007 Rashid ..... D9/500

(57) **CLAIM**

The ornamental design for a shaped bottle, as shown and described.

**DESCRIPTION**

FIG. 1 is a top, front, right side perspective view of a shaped bottle of the present invention;

FIG. 2 is a front elevation view thereof;

FIG. 3 is a left side elevation view thereof;

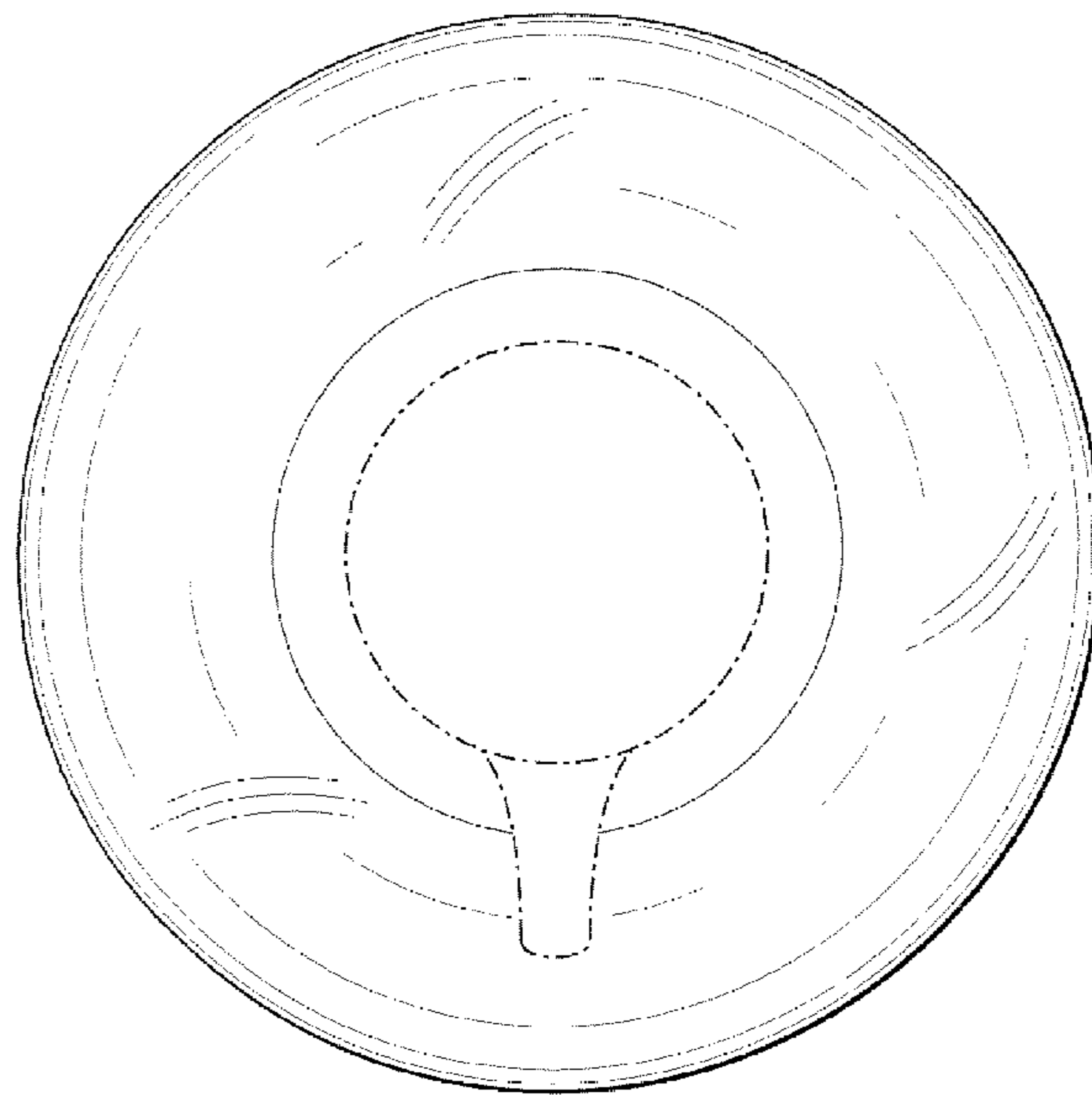
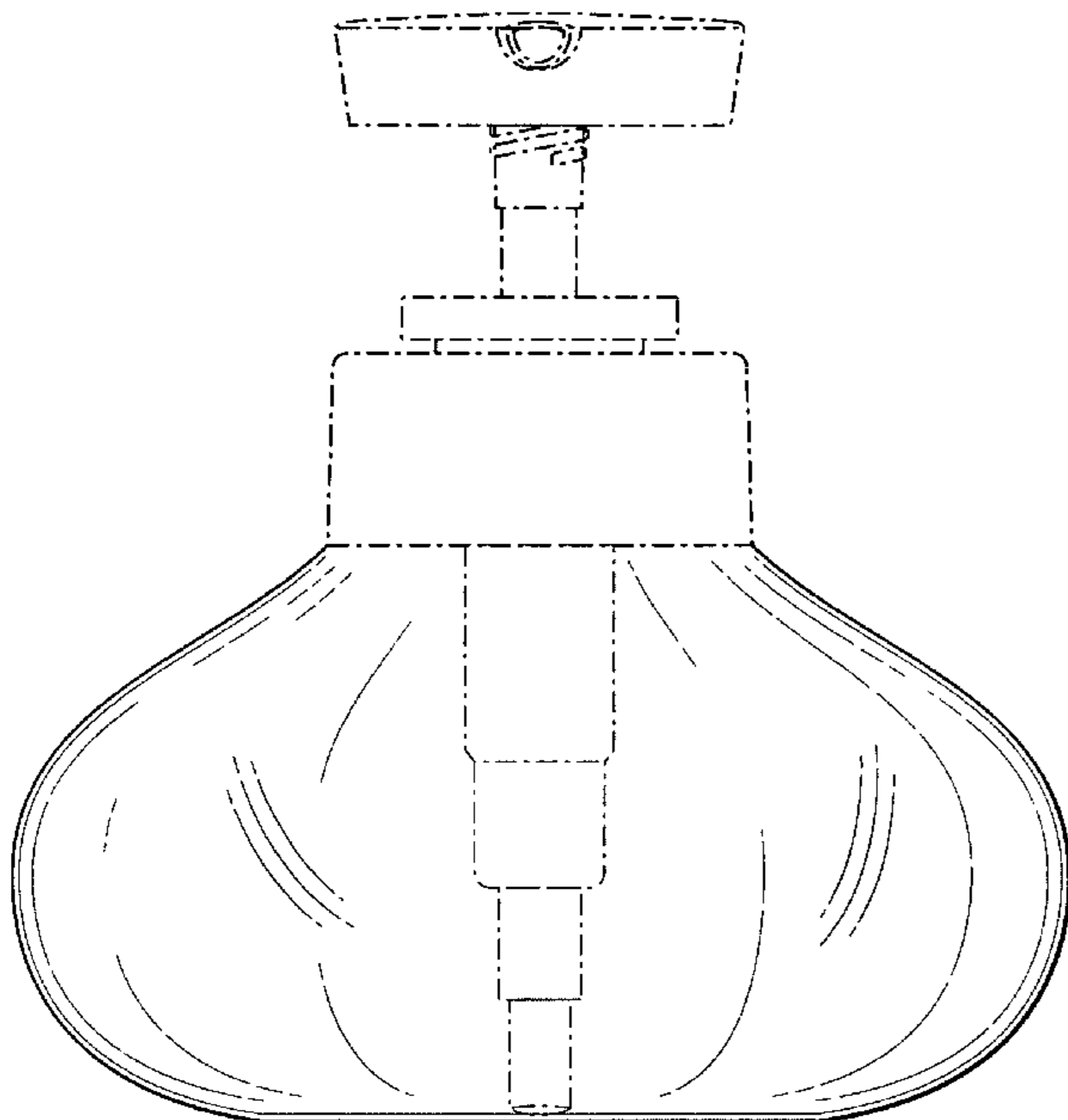
FIG. 5 is a right side elevation view thereof;

FIG. 6 is a top plan view thereof; and,

FIG. 7 is a bottom plan view thereof.

The broken lines in the drawings showing the pump dispenser illustrate the portions of the design that form no part of the claim.

**1 Claim, 7 Drawing Sheets**



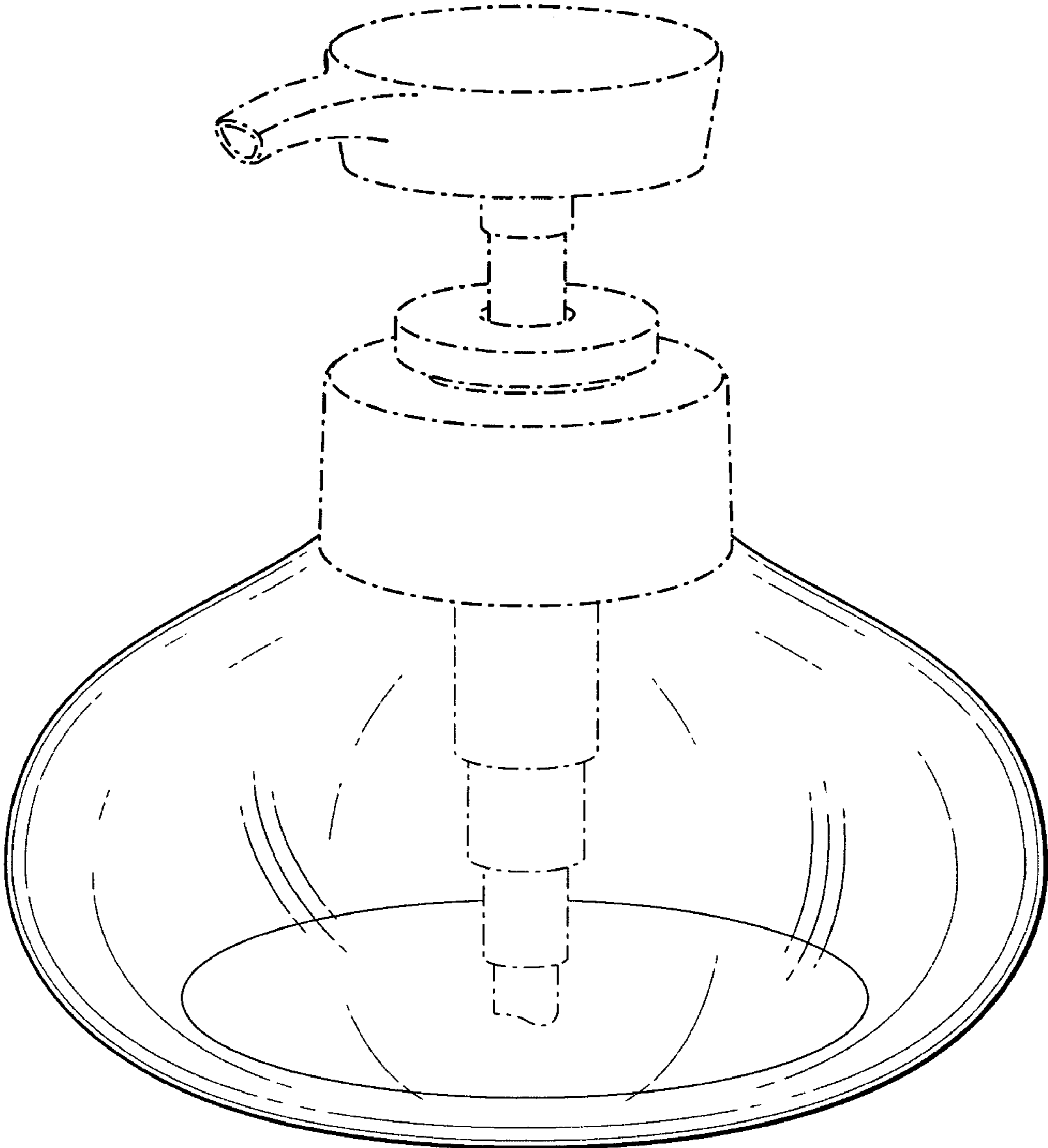


FIG. 1

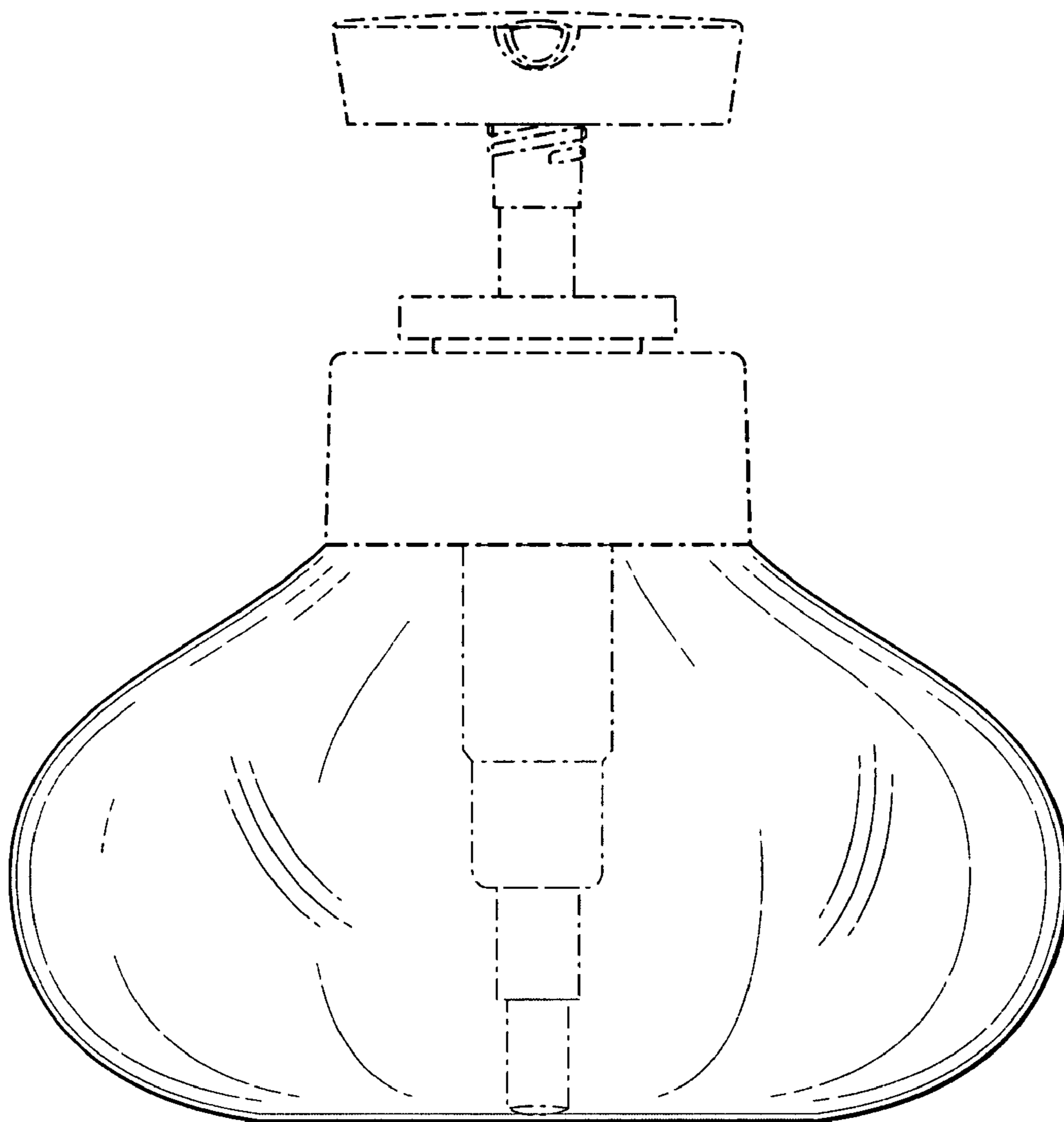


FIG. 2

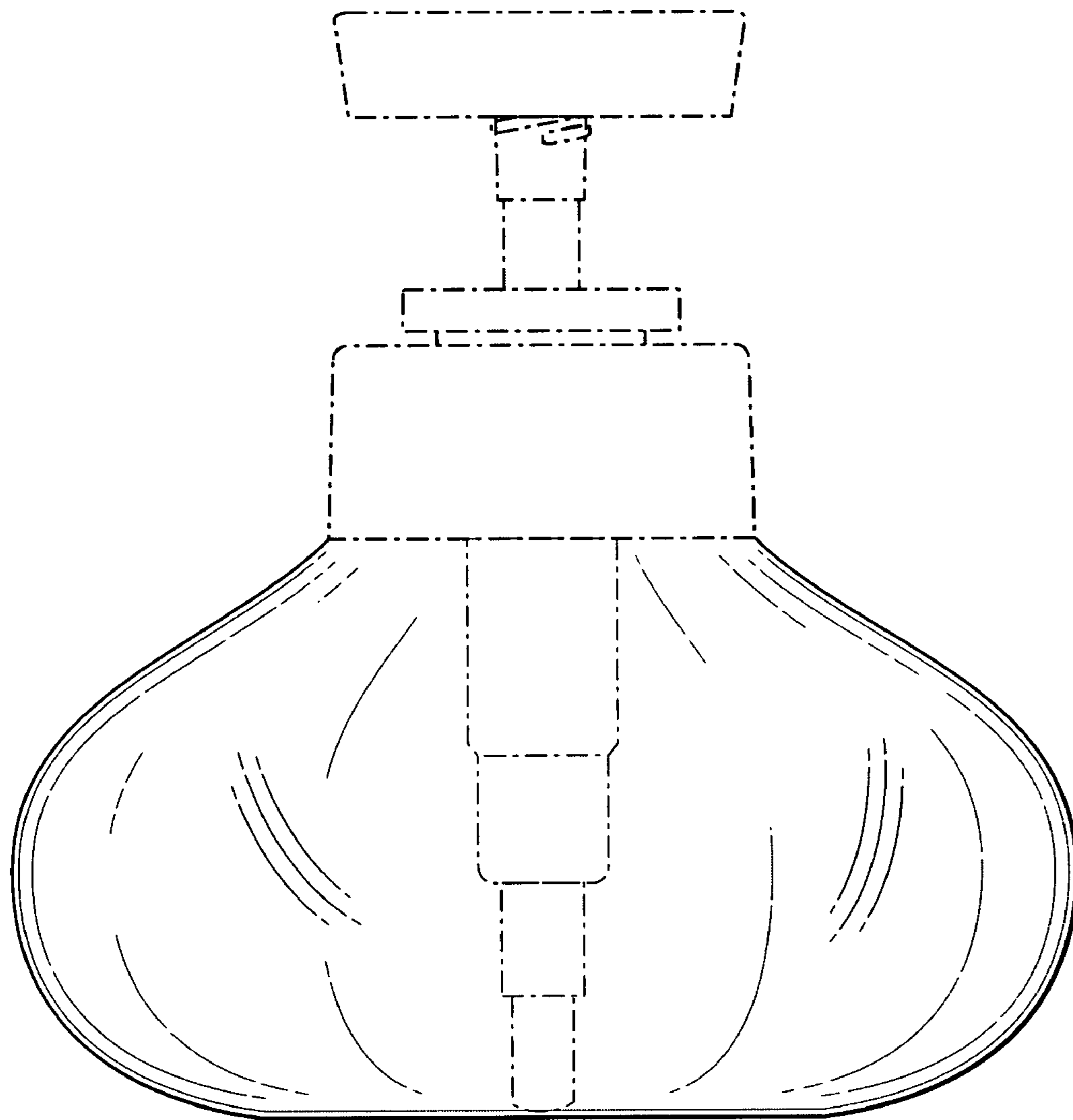


FIG. 3

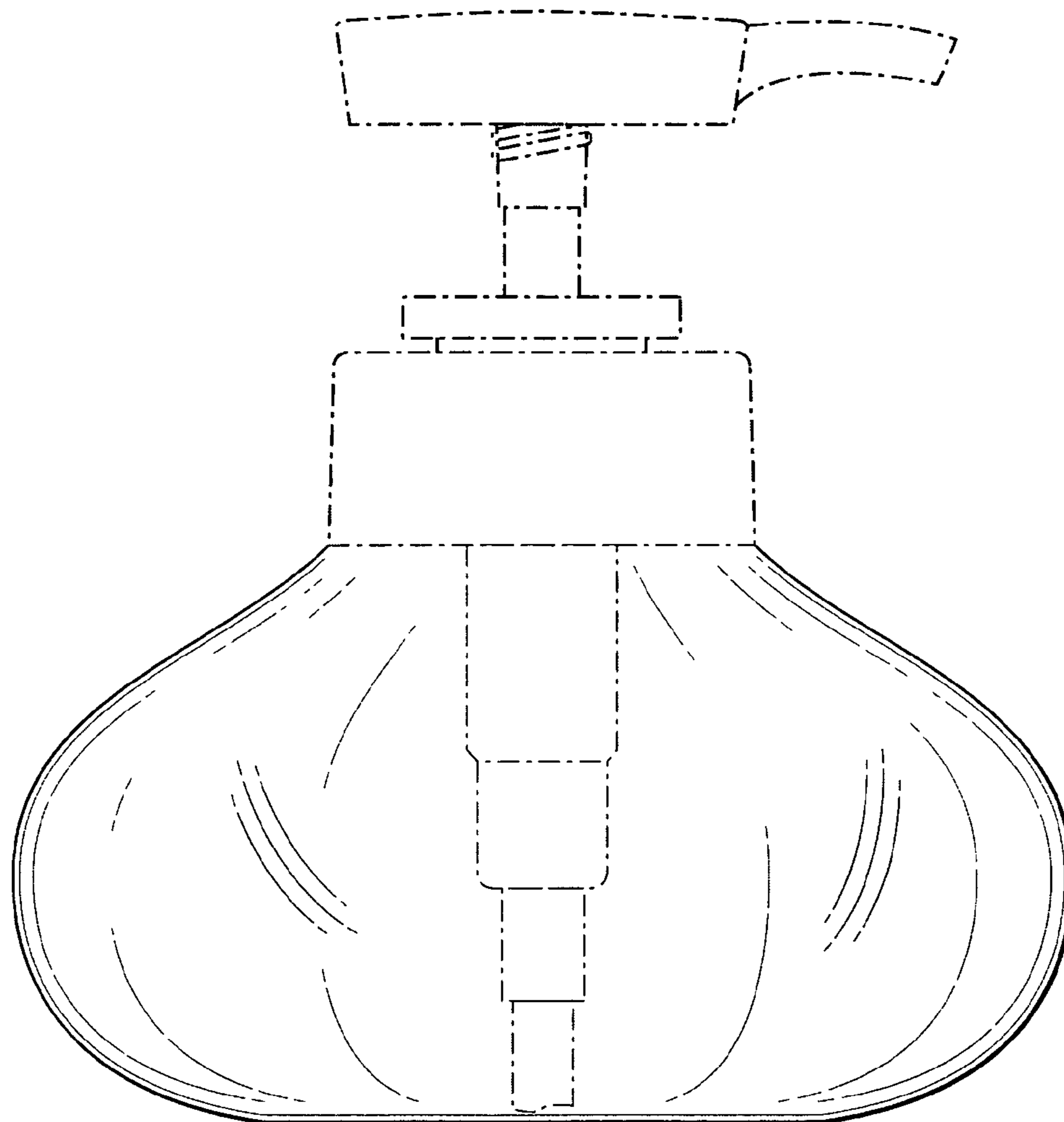


FIG. 4

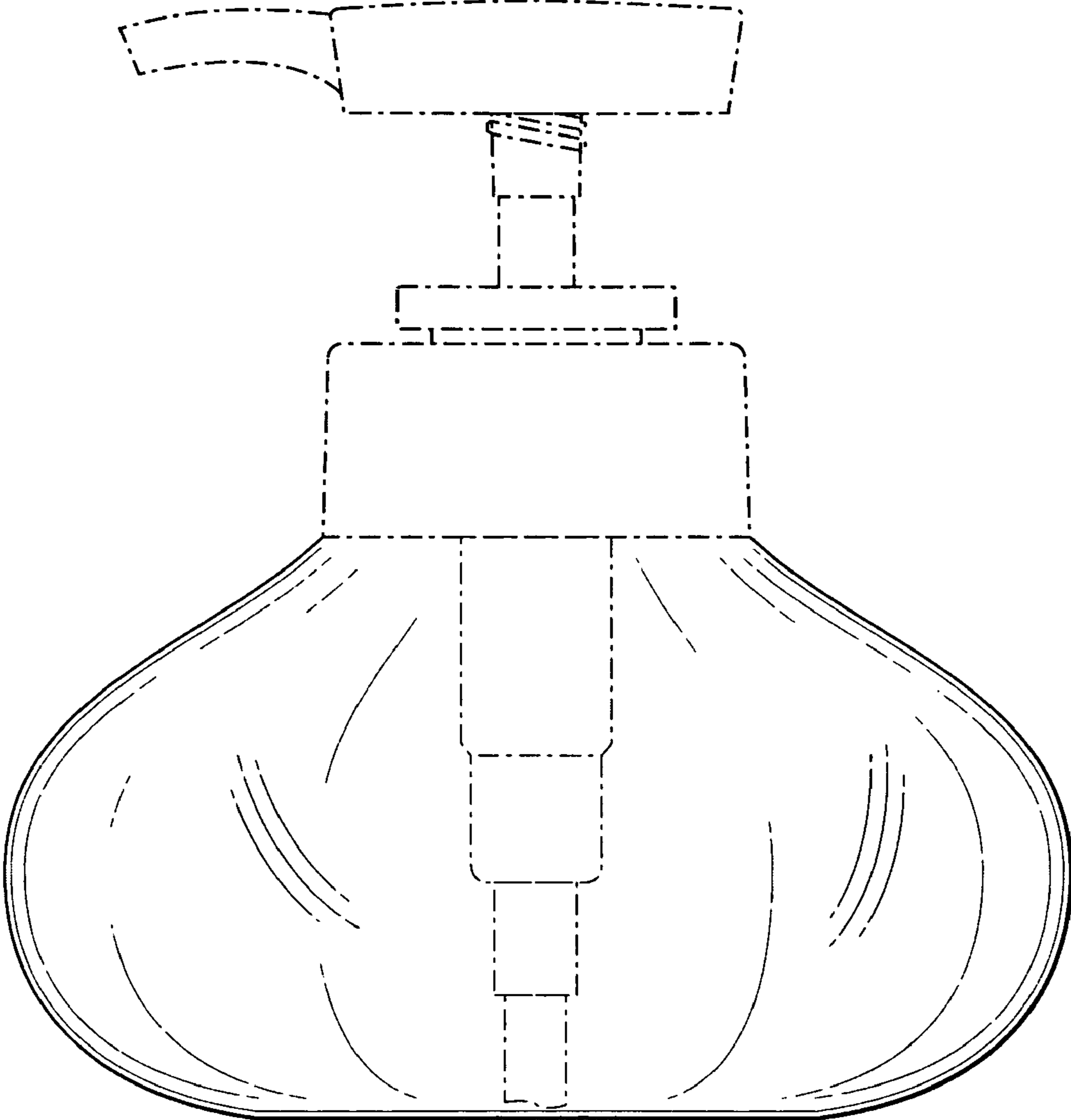


FIG. 5

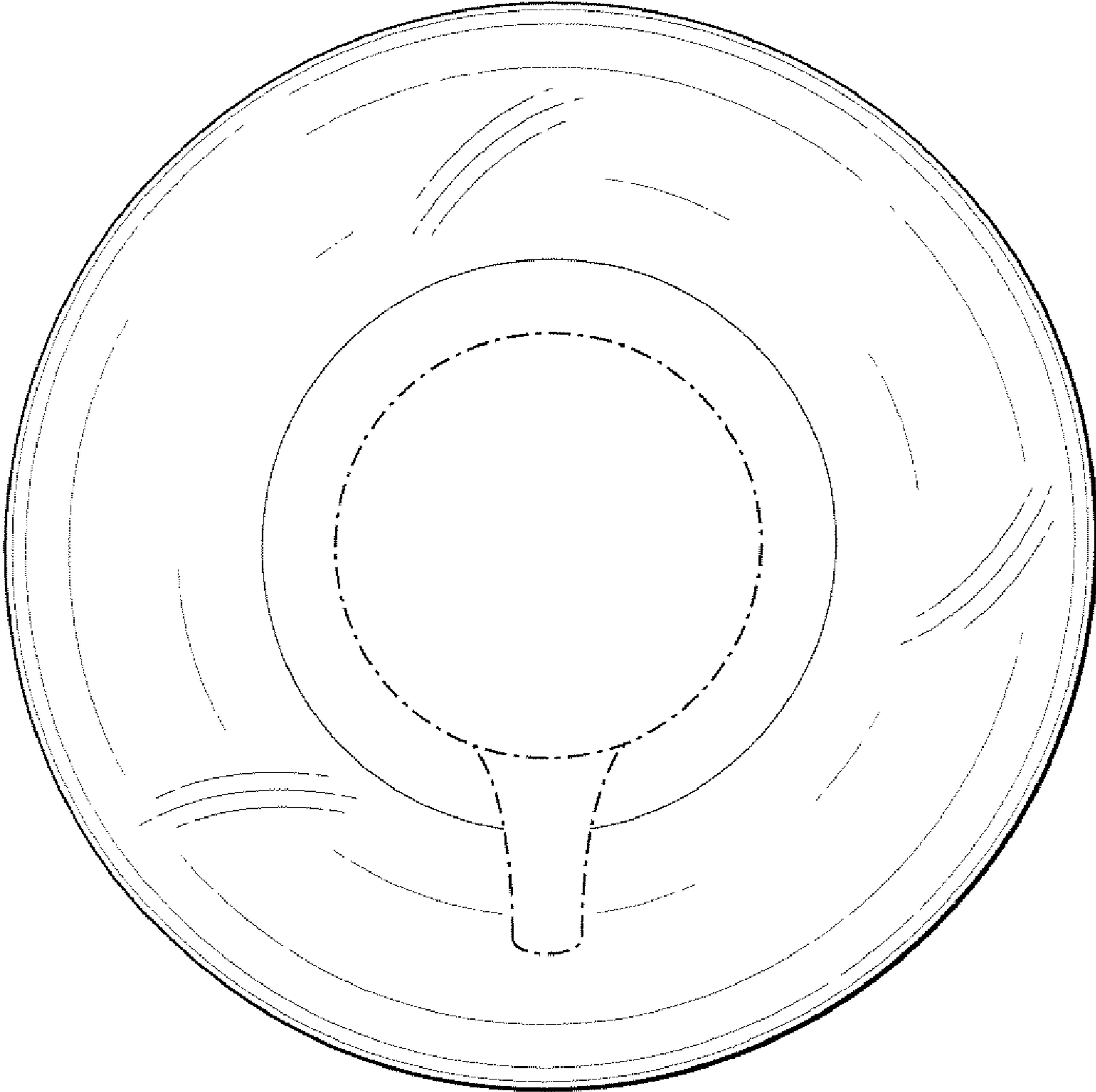


FIG. 6

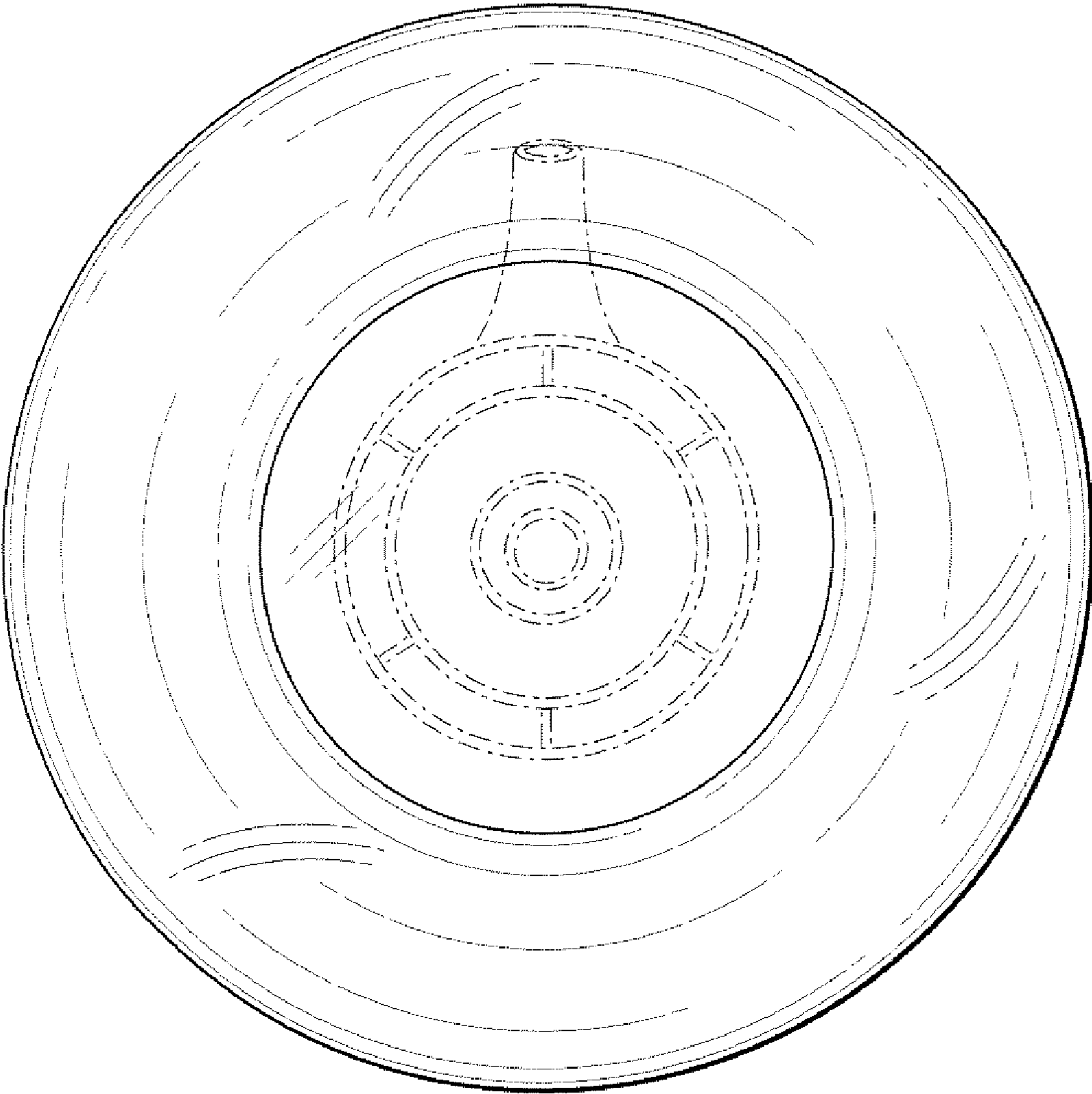


FIG. 7