



US00D603705S

(12) **United States Design Patent**
Wehrmann

(10) **Patent No.:** **US D603,705 S**
(45) **Date of Patent:** **** Nov. 10, 2009**

(54) **INFLATABLE PACKING MATERIAL**

FOREIGN PATENT DOCUMENTS

(75) Inventor: **Rick Steven Wehrmann**, Hudson, OH
(US)

EP 1466720 10/2004

(Continued)

(73) Assignee: **Automated Packaging Systems, Inc.**,
Streetsboro, OH (US)

OTHER PUBLICATIONS

International Search Report and Written Opinion from PCT/US05/
18817 dated Mar. 30, 2007.

(**) Term: **14 Years**

(Continued)

(21) Appl. No.: **29/332,921**

Primary Examiner—Susan Bennett Hattan

(22) Filed: **Feb. 27, 2009**

(74) *Attorney, Agent, or Firm*—Calfee, Halter & Griswold
LLP

(51) **LOC (9) Cl.** **09-07**

(52) **U.S. Cl.** **D9/456**

(58) **Field of Classification Search** D9/705,
D9/635, 520, 517, 516, 456, 455, 454, 452,
D9/444, 445, 438, 436, 435, 434, 433, 432,
D9/416, 499; D26/51; 428/138; 362/101;
229/404, 128, 110, 103.3; 220/630; 206/776,
206/755, 754, 583, 522, 453, 390, 232
See application file for complete search history.

(57) **CLAIM**

The ornamental design for an inflatable packing material, as
shown and described.

DESCRIPTION

FIG. 1 is an isometric view of an an inflatable packing mate-
rial showing the new design;

FIG. 2 is a top plan view of the inflatable packing material of
FIG. 1;

FIG. 3 is an isometric view of the inflatable packing material
in a second condition of use where it is inflated and is sealed
along a seal line;

FIG. 4 is a back view of inflatable packing material of FIG. 3;

FIG. 5 is a front view of inflatable packing material of FIG. 3

FIG. 6 is top plan view of the inflatable packing material of
FIG. 3;

FIG. 7 is a right side view of the inflatable packing material of
FIG. 3 the left being a mirror image of the right; and,

FIG. 8 is a bottom plan view of the inflatable packing material
of FIG. 3.

In FIGS. 1–8, the dashed lines illustrate perforations of the
inflatable packing material.

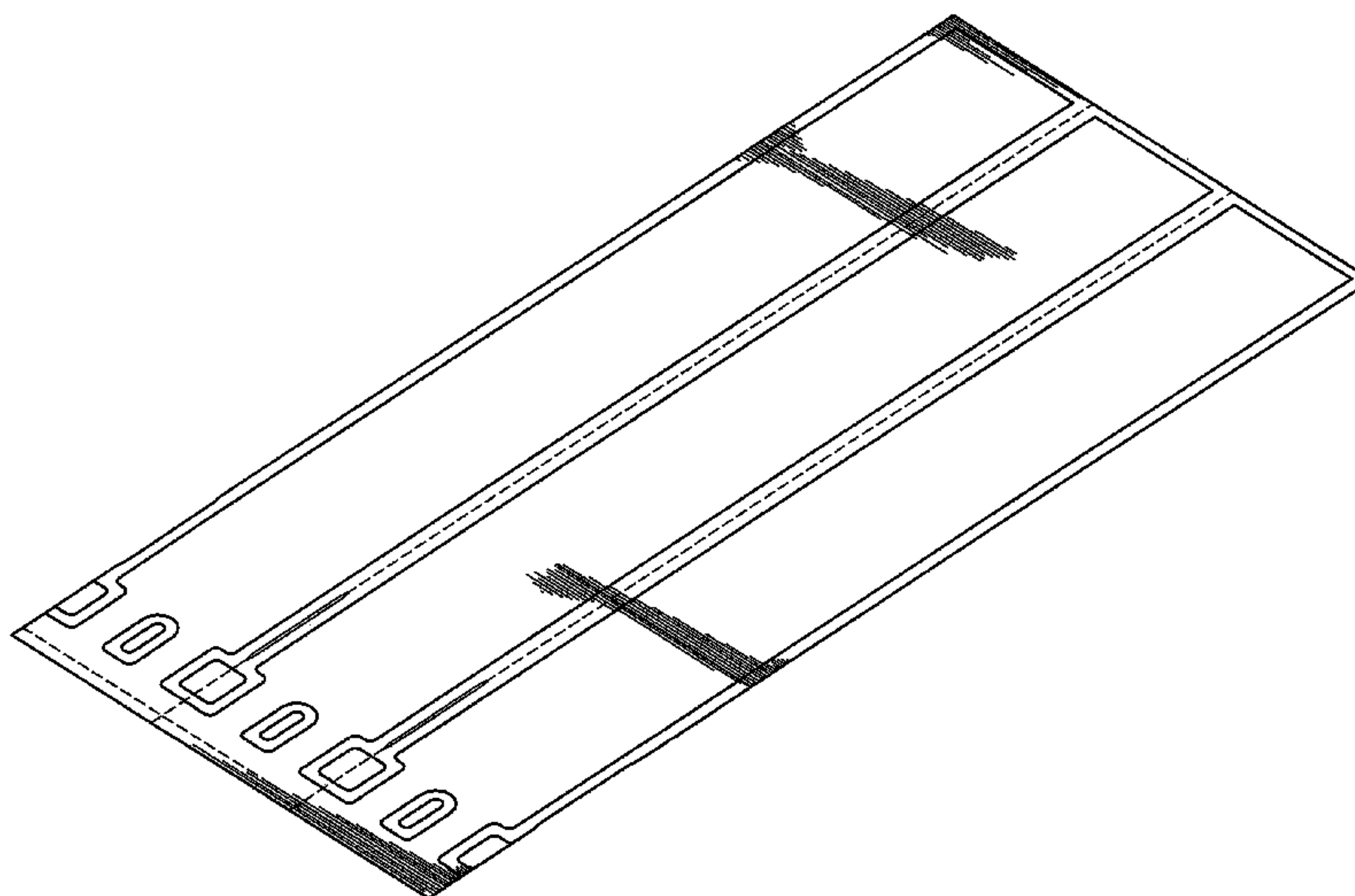
(56) **References Cited**

U.S. PATENT DOCUMENTS

3,254,820	A	6/1966	Lerner	
3,254,828	A	6/1966	Lerner	
3,298,156	A	1/1967	Lerner	
3,358,823	A	12/1967	Paxton	
3,359,703	A	12/1967	Quaadgras	
3,389,534	A *	6/1968	Pendleton	53/550
3,414,140	A	12/1968	Feldkamp	
3,462,027	A	8/1969	Puckhaber	
3,477,196	A	11/1969	Lerner	
3,523,055	A	8/1970	Lemelson	
3,575,757	A	4/1971	Smith	
3,575,781	A	4/1971	Pezely	
3,577,305	A	5/1971	Hines et al.	
3,616,155	A	10/1971	Chavannes	

(Continued)

1 Claim, 5 Drawing Sheets



US D603,705 S

Page 2

U.S. PATENT DOCUMENTS

3,650,877	A	3/1972	Johnson	5,470,300	A	11/1995	Terranova
3,730,240	A	5/1973	Presnick	5,552,003	A	9/1996	Hoover et al.
3,791,573	A	2/1974	Tichenal et al.	5,693,163	A	12/1997	Hoover et al.
3,802,974	A	4/1974	Emmel	5,699,653	A	12/1997	Hartman et al.
3,808,981	A	5/1974	Shaw	5,733,045	A	3/1998	Jostler et al.
3,817,803	A	6/1974	Horsley	5,810,200	A	9/1998	Trokhhan
3,837,990	A	9/1974	McConnell et al.	5,921,390	A	7/1999	Simhaee
3,837,991	A	9/1974	Evans et al.	RE36,501	E	1/2000	Hoover et al.
3,855,037	A	12/1974	Imhagen et al.	6,015,047	A	1/2000	Greeland
3,938,298	A	2/1976	Luhman et al.	6,015,357	A	1/2000	Ricci
3,939,995	A	2/1976	Baxter	RE36,759	E	7/2000	Hoover et al.
4,014,154	A	3/1977	Lerner	6,199,349	B1	3/2001	Lerner
4,017,351	A	4/1977	Larson	6,209,286	B1	4/2001	Perkins
4,040,526	A	8/1977	Baxter et al.	6,488,222	B1	12/2002	West et al.
4,044,693	A	8/1977	Ramsey, Jr.	6,519,916	B1	2/2003	Brown
4,076,872	A	2/1978	Lewicki et al.	6,527,147	B2	3/2003	Wehrmann
4,096,306	A	6/1978	Larson	6,550,229	B2	4/2003	Sperry et al.
4,102,364	A	7/1978	Lowdermilk	6,565,946	B2	5/2003	Perkins et al.
4,103,471	A	8/1978	Lowdermilk	6,582,800	B2	6/2003	Fuss et al.
4,146,069	A	3/1979	Angarola et al.	6,625,956	B1	9/2003	Soudan
4,201,029	A	5/1980	Lerner	D480,646	S *	10/2003	Borchard et al. D9/456
4,306,656	A	12/1981	Dahlem	D480,971	S *	10/2003	DeLuca et al. D9/456
4,314,865	A	2/1982	Ottaviano	6,635,145	B2	10/2003	Cooper
4,354,004	A	10/1982	Hughes et al.	6,659,150	B1	12/2003	Perkins et al.
4,493,684	A	1/1985	Bolton	6,672,037	B2	1/2004	Wehrmann
4,518,654	A	5/1985	Eichbauer et al.	D490,711	S *	6/2004	DeLuca et al. D9/456
4,545,180	A	10/1985	Chung et al.	6,751,926	B1	6/2004	Cooper
4,564,407	A	1/1986	Tsuruta	6,786,022	B2	9/2004	Fuss et al.
4,576,669	A	3/1986	Caputo	6,952,910	B1	10/2005	Lorsch
4,597,244	A	7/1986	Pharo	6,955,846	B2	10/2005	Lerner
4,616,472	A	10/1986	Owensby et al.	D512,311	S *	12/2005	DeLuca et al. D9/456
4,619,635	A	10/1986	Ottaviano	D513,182	S *	12/2005	DeLuca et al. D9/456
4,676,376	A	6/1987	Keiswetter	7,165,375	B2	1/2007	O'Dowd
4,787,755	A	11/1988	Branson	7,223,462	B2 *	5/2007	Perkins et al. 428/166
4,793,123	A	12/1988	Pharo	7,533,772	B2 *	5/2009	Yoshifusa et al. 206/522
4,847,126	A	7/1989	Hiroshi et al.	2002/0108697	A1	8/2002	Perkins et al.
4,874,093	A	10/1989	Pharo	2004/0265523	A1 *	12/2004	Koyanagi et al. 428/35.7
4,904,092	A	2/1990	Campbell et al.	2005/0266189	A1	12/2005	Wehrmann
4,918,904	A	4/1990	Pharo	2006/0042191	A1	3/2006	Lerner
4,922,687	A	5/1990	Chow et al.	2006/0086064	A1	4/2006	Wehrmann
4,931,033	A	6/1990	Leeds	2006/0090421	A1	5/2006	Sperry
5,070,675	A	12/1991	Chuan-Shiang	2007/0054074	A1	3/2007	Wehrmann
5,117,608	A	6/1992	Nease et al.	2007/0054075	A1	3/2007	Wehrmann
5,151,494	A	9/1992	Danforth et al.	2009/0110864	A1	4/2009	Wehrmann
5,181,614	A	1/1993	Watts				
5,188,691	A	2/1993	Caputo				
5,203,761	A	4/1993	Reichental et al.				
5,216,868	A	6/1993	Cooper et al.				
5,257,492	A	11/1993	Watts				
5,272,856	A	12/1993	Pharo				
5,289,671	A	3/1994	Lerner				
5,307,969	A	5/1994	Menendez				
5,340,632	A	8/1994	Chappuis				
5,351,828	A	10/1994	Becker et al.				
5,383,837	A	1/1995	Watts				
5,394,676	A	3/1995	Lerner				
5,468,525	A	11/1995	Watts				

FOREIGN PATENT DOCUMENTS

WO	00/71423	11/2000
WO	01/85434	11/2001
WO	02/26589	4/2002
WO	05/118408	12/2005
WO	07/070240	6/2007

OTHER PUBLICATIONS

International Search Report and Written Opinion from PCT/US06/45447, dated Feb. 22, 2007.
 International Search Report and Written Opinion from PCT/US08/81410 dated Mar. 31, 2009.

* cited by examiner

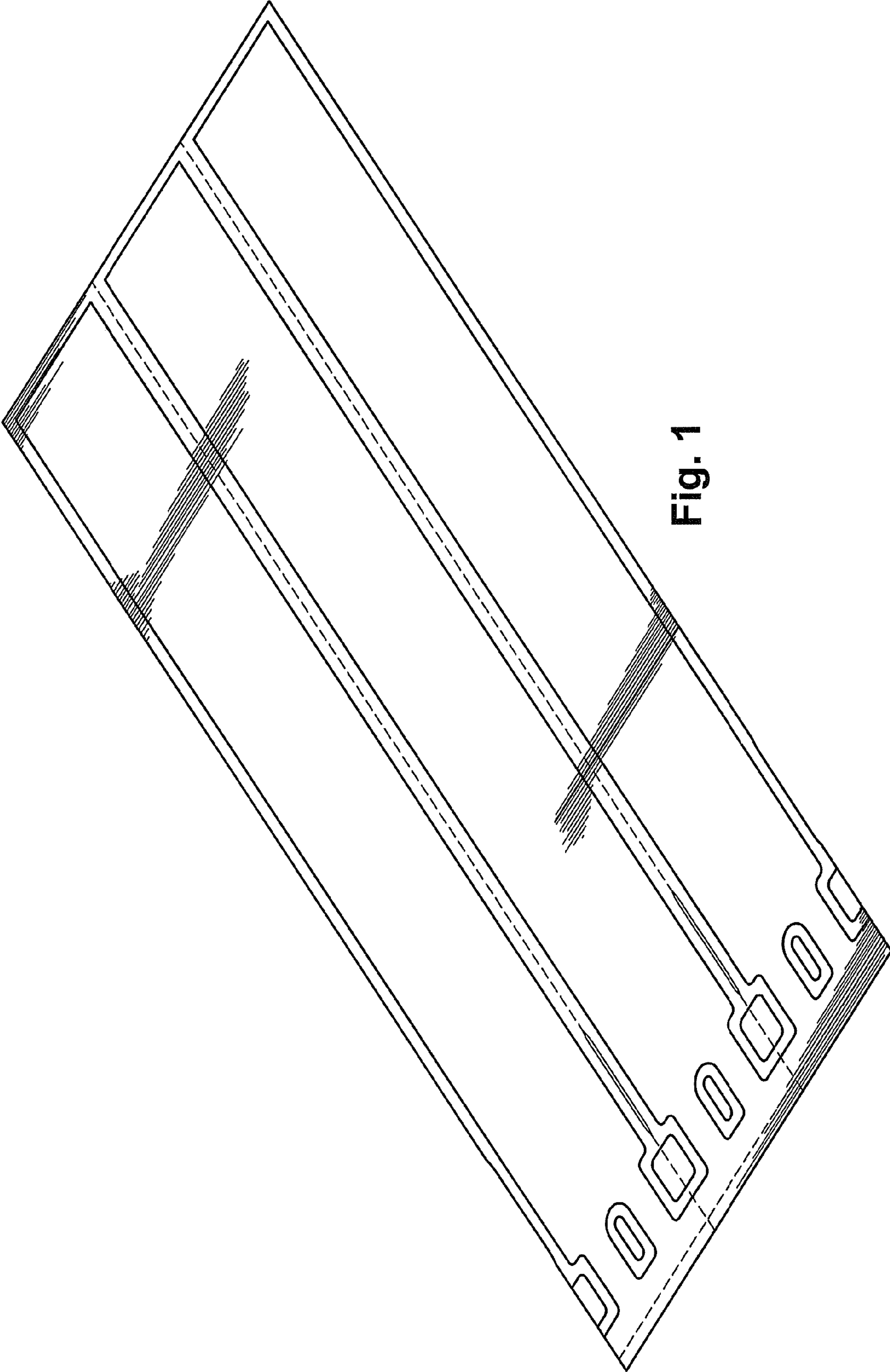


Fig. 1

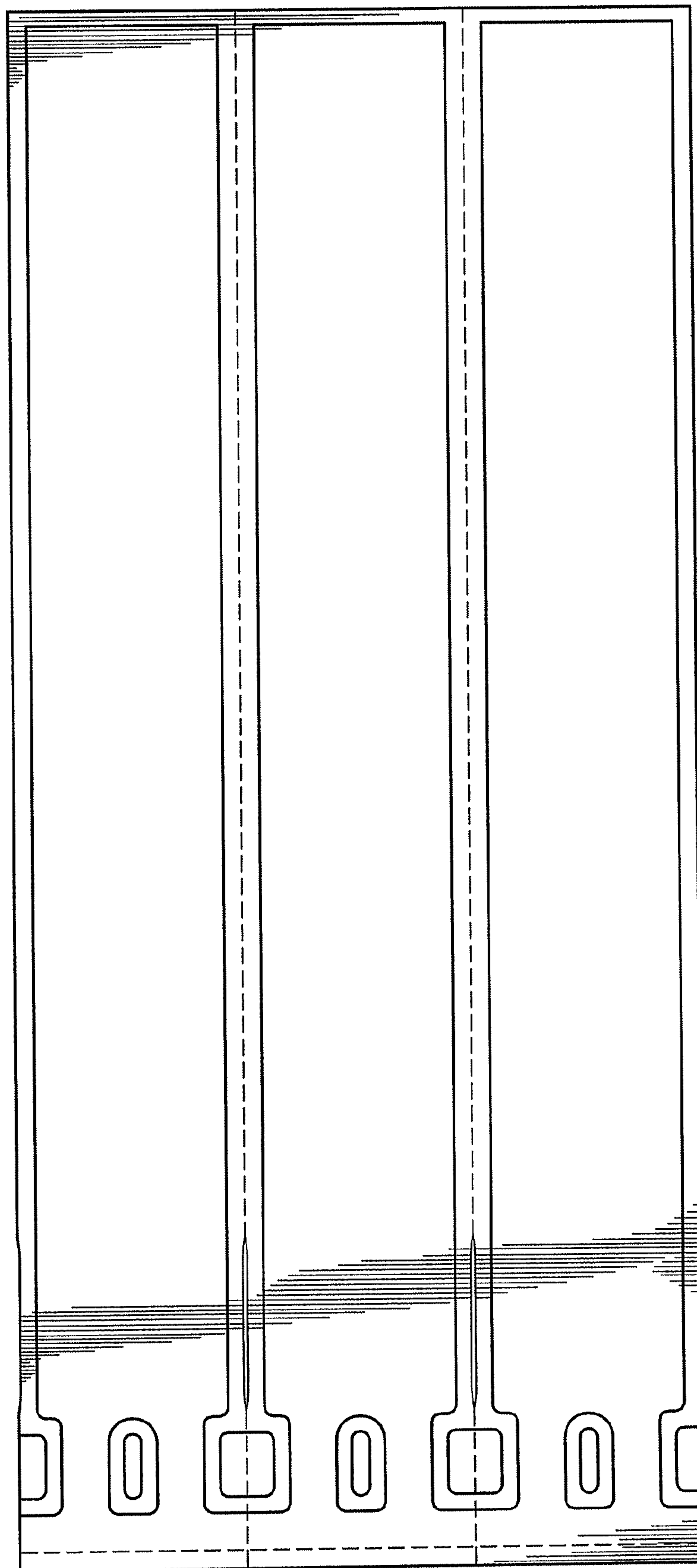


Fig. 2

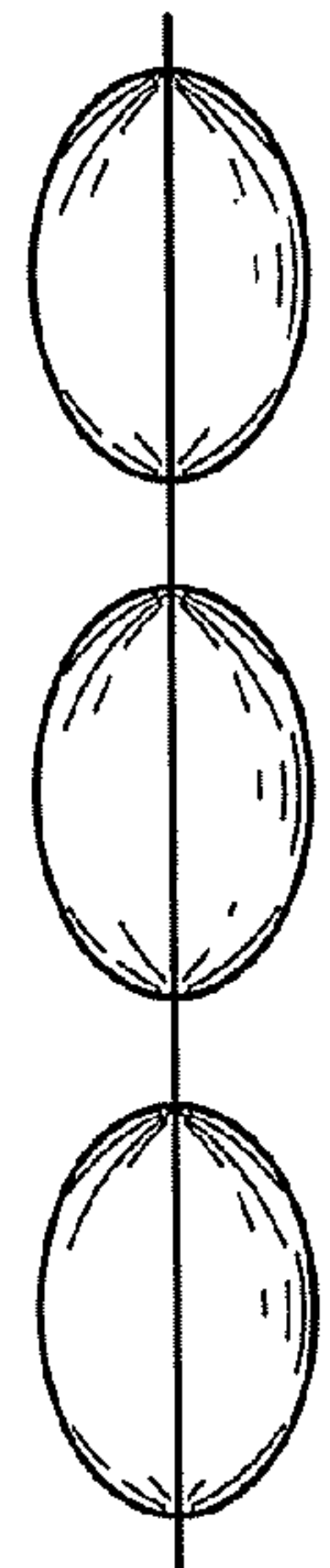
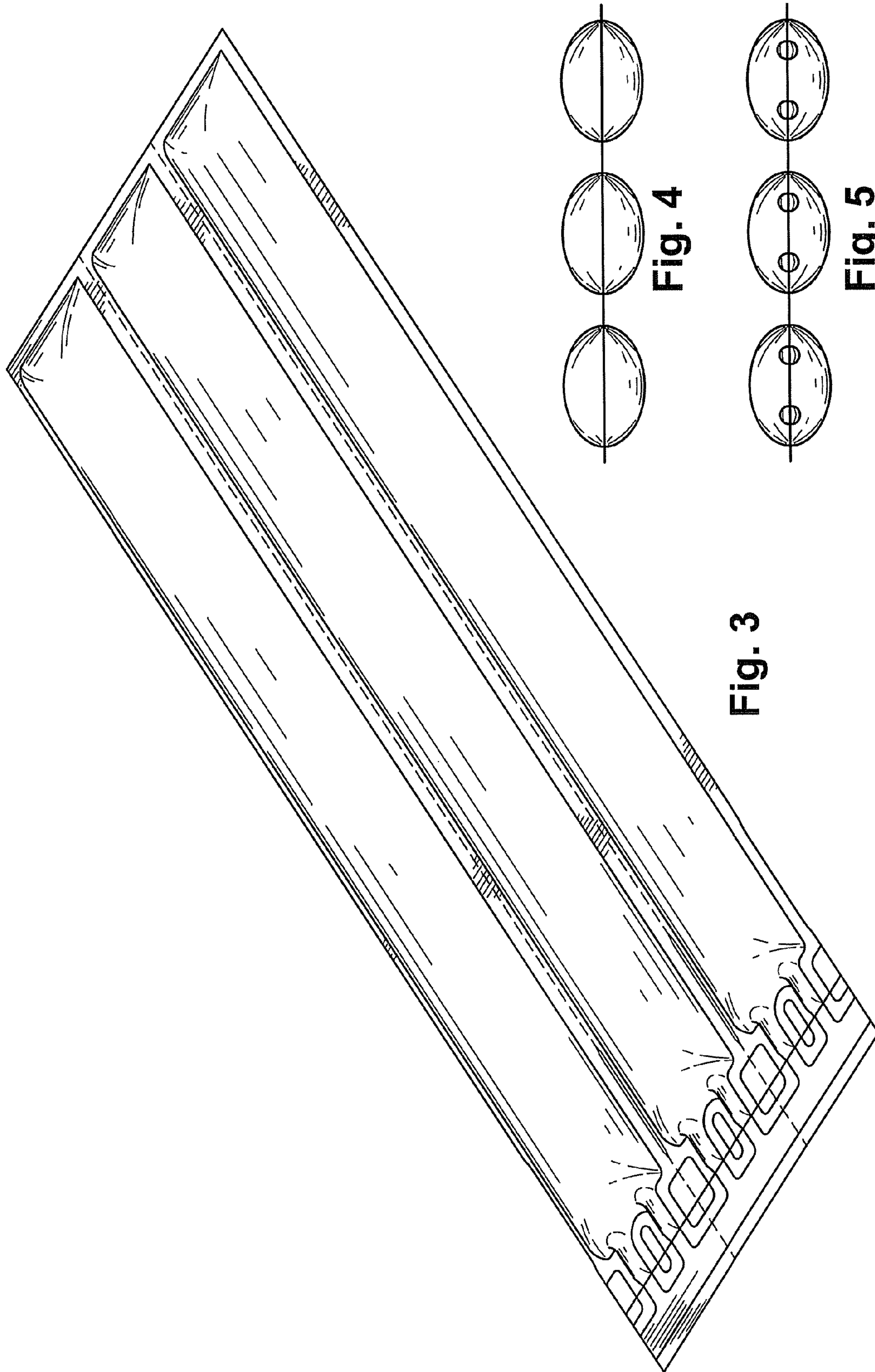


Fig. 4

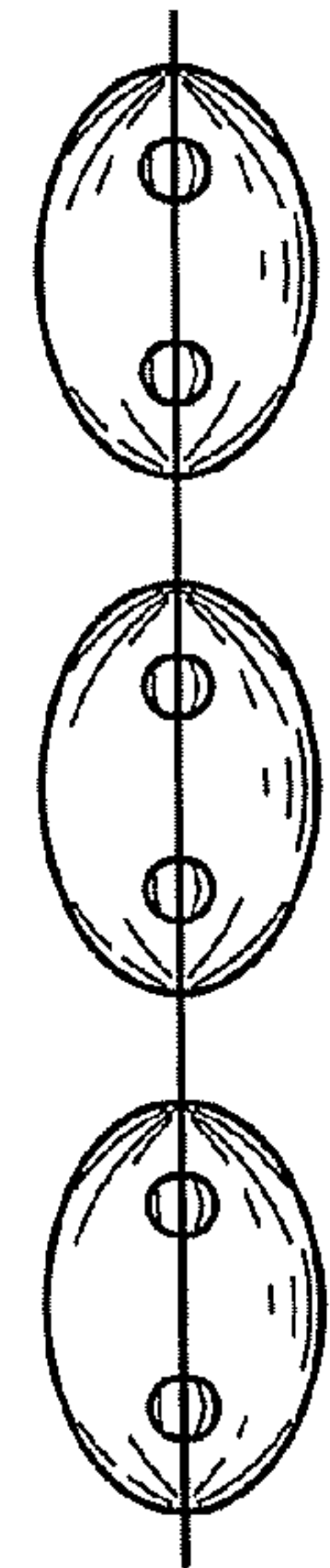


Fig. 5

Fig. 3

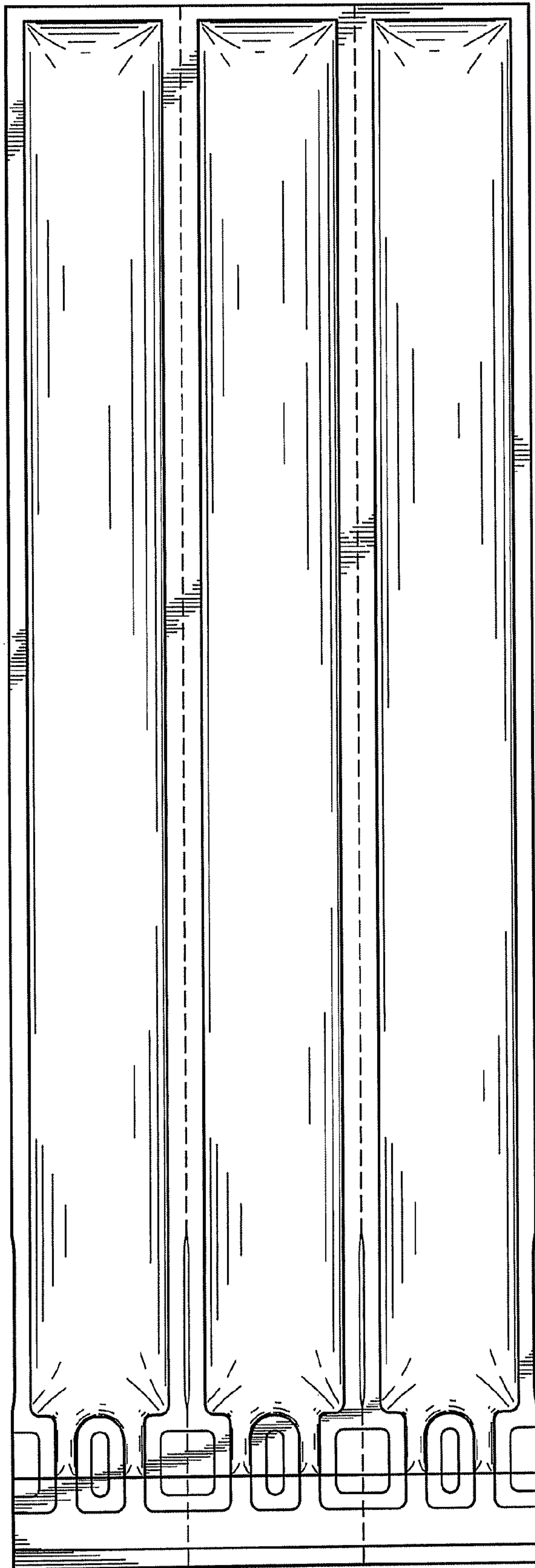


Fig. 6

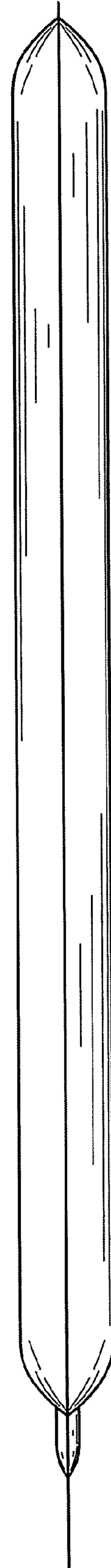


Fig. 7

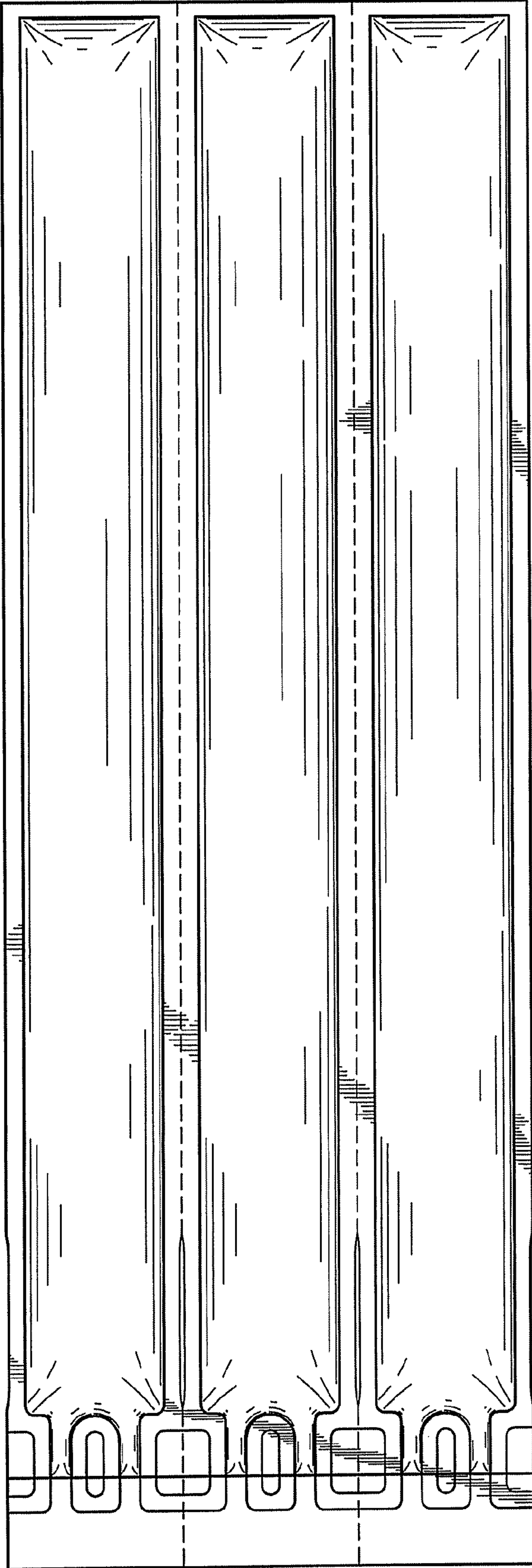


Fig. 8