

US00D603704S

(12) **United States Design Patent**
Jost et al.

(10) **Patent No.:** **US D603,704 S**

(45) **Date of Patent:** **** Nov. 10, 2009**

(54) **CLOSURE**

(75) Inventors: **Scott Jost**, Naperville, IL (US); **Richard Barkaway**, Aurora, IL (US); **Guy Considine**, Libertyville, IL (US); **Emily Siegler**, Chicago, IL (US)

(73) Assignee: **Berlin Packaging, LLC**, Chicago, IL (US)

(**) Term: **14 Years**

(21) Appl. No.: **29/326,457**

(22) Filed: **Oct. 17, 2008**

(51) **LOC (9) Cl.** **09-07**

(52) **U.S. Cl.** **D9/449; D9/454**

(58) **Field of Classification Search** D9/556,
D9/529, 454, 453, 452, 449, 443, 439, 504,
D9/450, 447, 446; D8/312; D7/392.1; D23/261;
D14/217; D12/197; 229/123.1; 222/541.2,
222/575, 566, 556, 552, 519, 494, 480, 479,
222/212; 220/288, 810, 781; 215/350, 344,
215/295, 270, 256, 252, 218, 216, 209, 206,
215/235, 236

See application file for complete search history.

(56) **References Cited**

U.S. PATENT DOCUMENTS

D53,201 S * 4/1919 Hyatt D9/449
D274,792 S * 7/1984 Price D9/438
D323,110 S * 1/1992 Simms et al. D9/529
D349,858 S * 8/1994 Lonczak et al. D9/558
D353,328 S * 12/1994 Nuffer D9/446
D357,418 S * 4/1995 Lonczak et al. D9/558
5,908,037 A * 6/1999 Pierson 132/293
D434,659 S * 12/2000 Lonczak et al. D9/449

D517,916 S * 3/2006 Satt D9/449
D521,381 S * 5/2006 Hicks et al. D9/449
D522,362 S * 6/2006 Liebe D9/449
D522,372 S * 6/2006 Wang et al. D9/542
2007/0068977 A1 * 3/2007 Vogel et al. 222/556

* cited by examiner

Primary Examiner—Susan Bennett Hattan

(74) *Attorney, Agent, or Firm*—Adam K. Sacharoff; Much Shelist

(57) **CLAIM**

The ornamental design for a closure, as shown and described.

DESCRIPTION

FIG. 1 is a right side front perspective view showing the new design in a closed position;

FIG. 2 is a top side view of FIG. 1;

FIG. 3 is a bottom side view of FIG. 1;

FIG. 4 is a front side view of FIG. 1;

FIG. 5 is a back side view of FIG. 1;

FIG. 6 is a right side view of FIG. 1;

FIG. 7 is a left side view of FIG. 1;

FIG. 8 is a right side front perspective view showing the new design in an opened position;

FIG. 9 is a top side view of FIG. 8;

FIG. 10 is a bottom side view of FIG. 8;

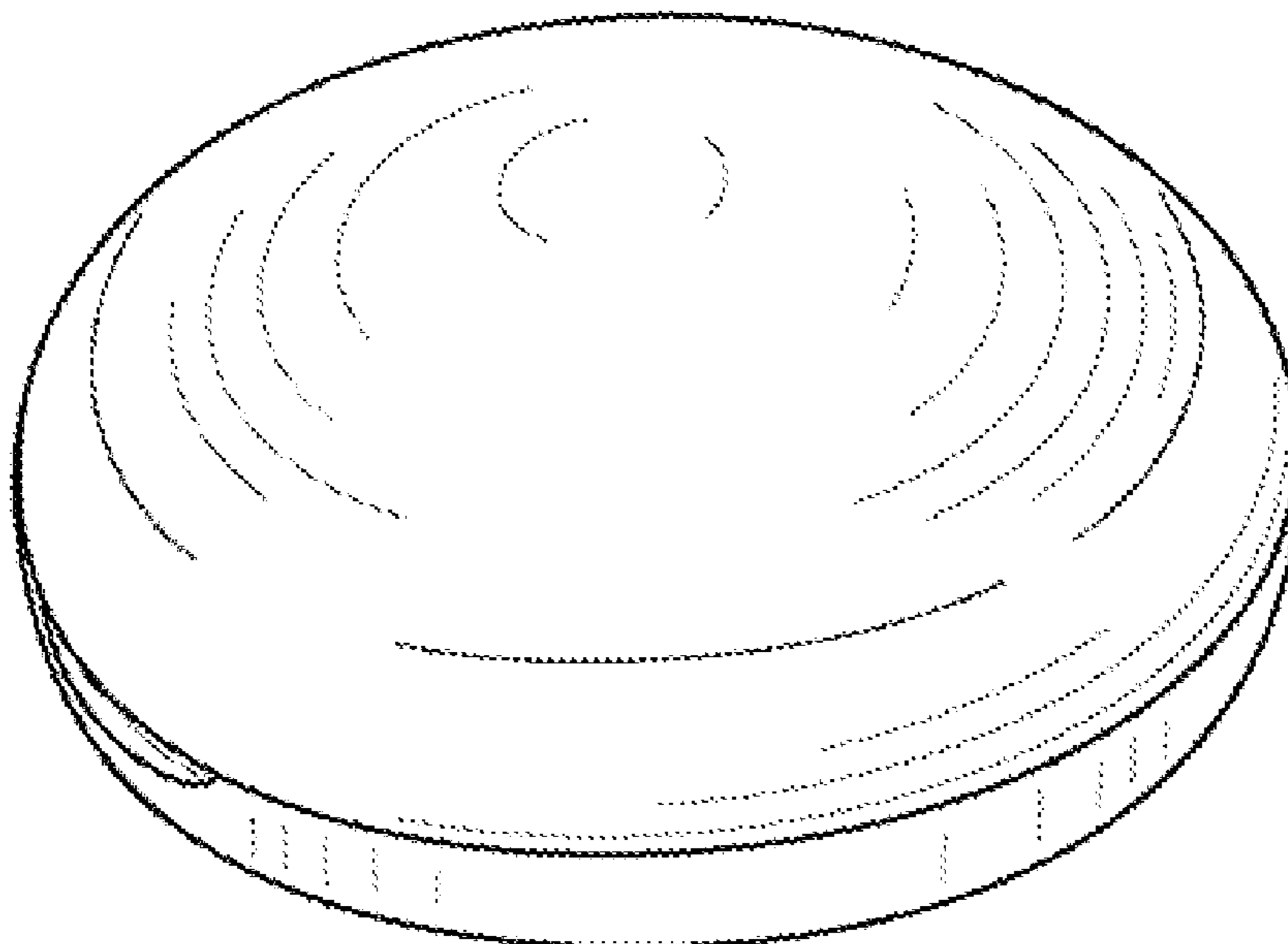
FIG. 11 is a front side view of FIG. 8;

FIG. 12 is a back side view of FIG. 8;

FIG. 13 is a right side view of FIG. 8; and,

FIG. 14 is a left side view of FIG. 8.

1 Claim, 5 Drawing Sheets



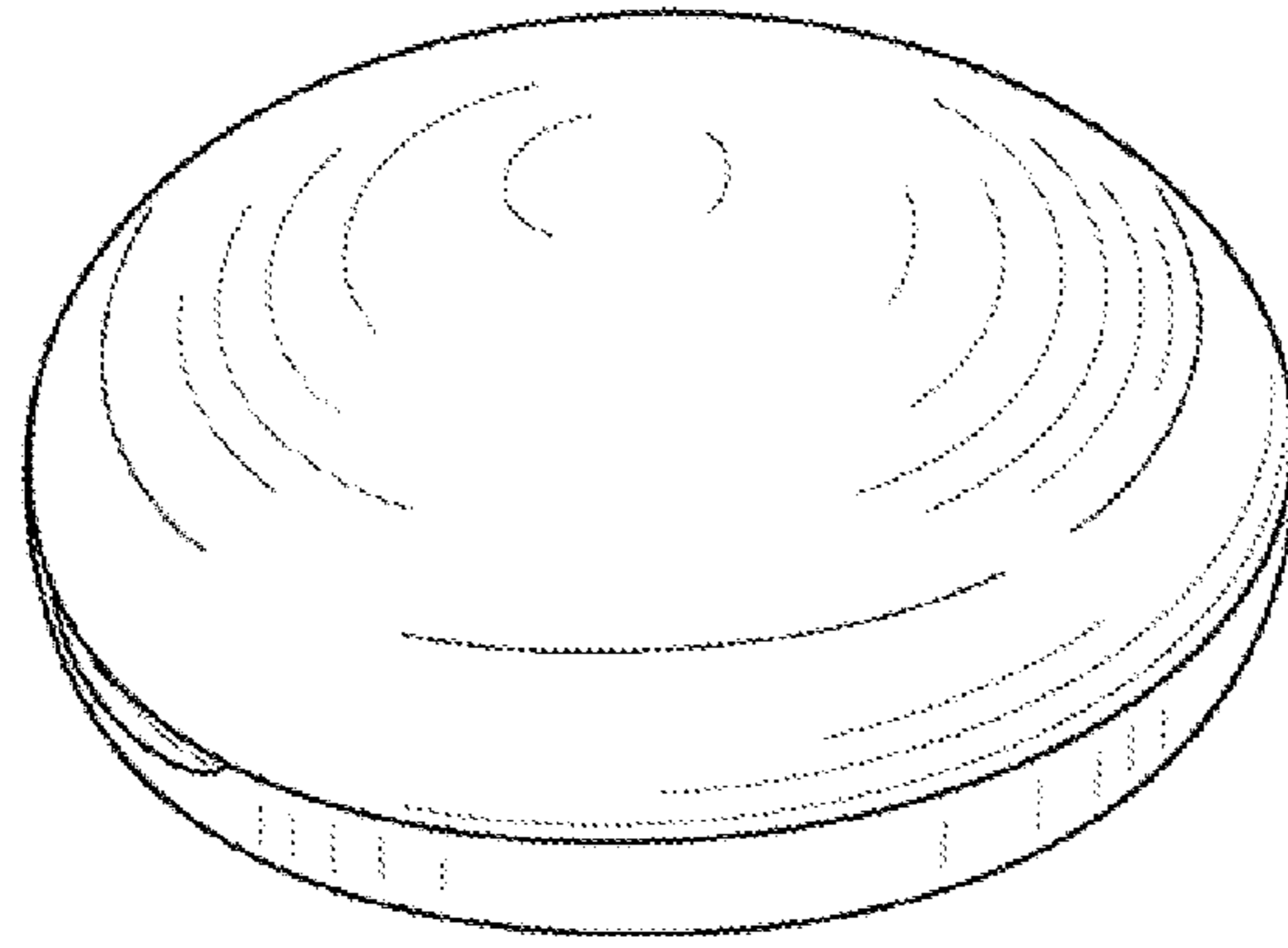


FIG. 1

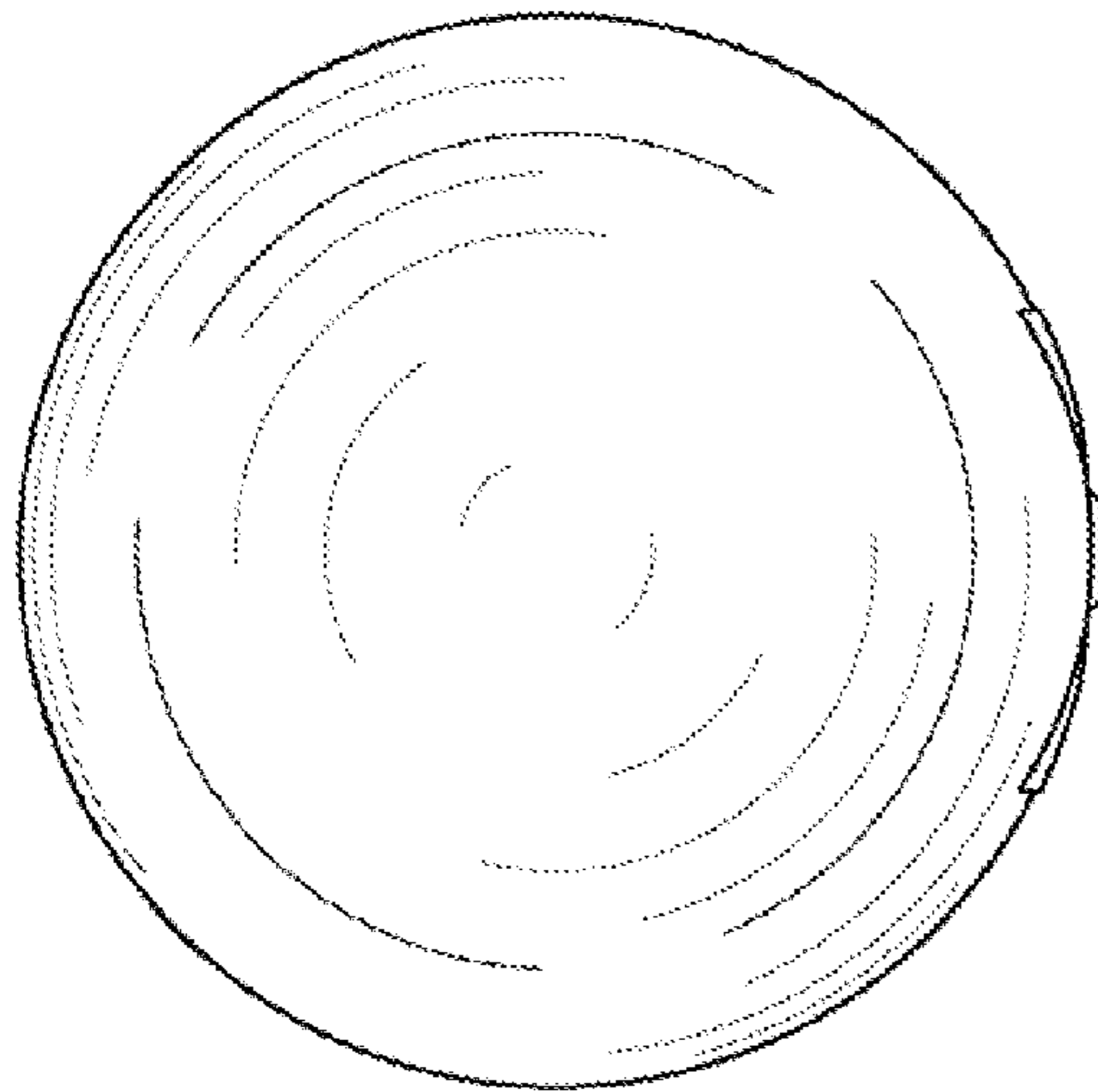


FIG. 2

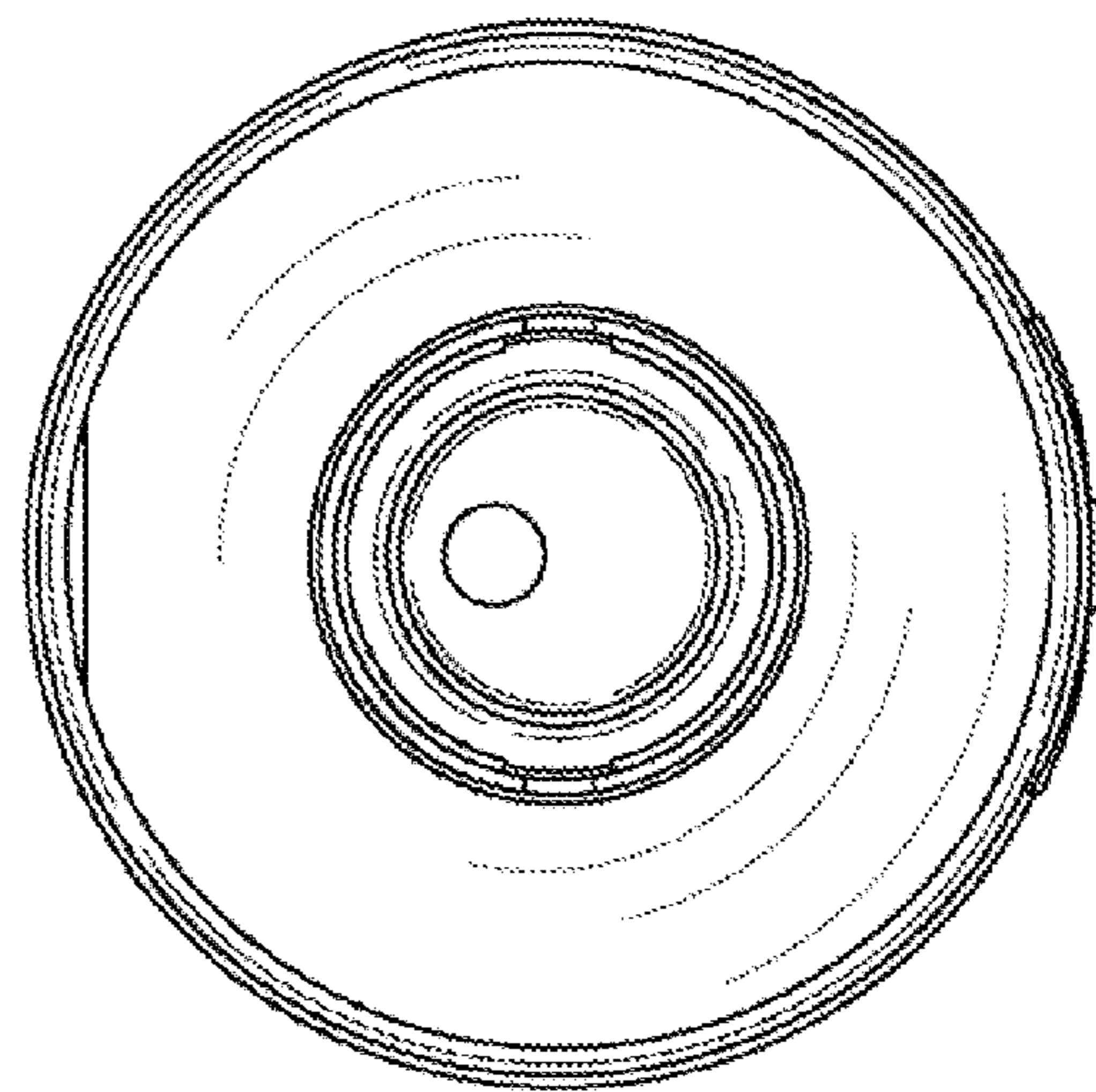


FIG. 3

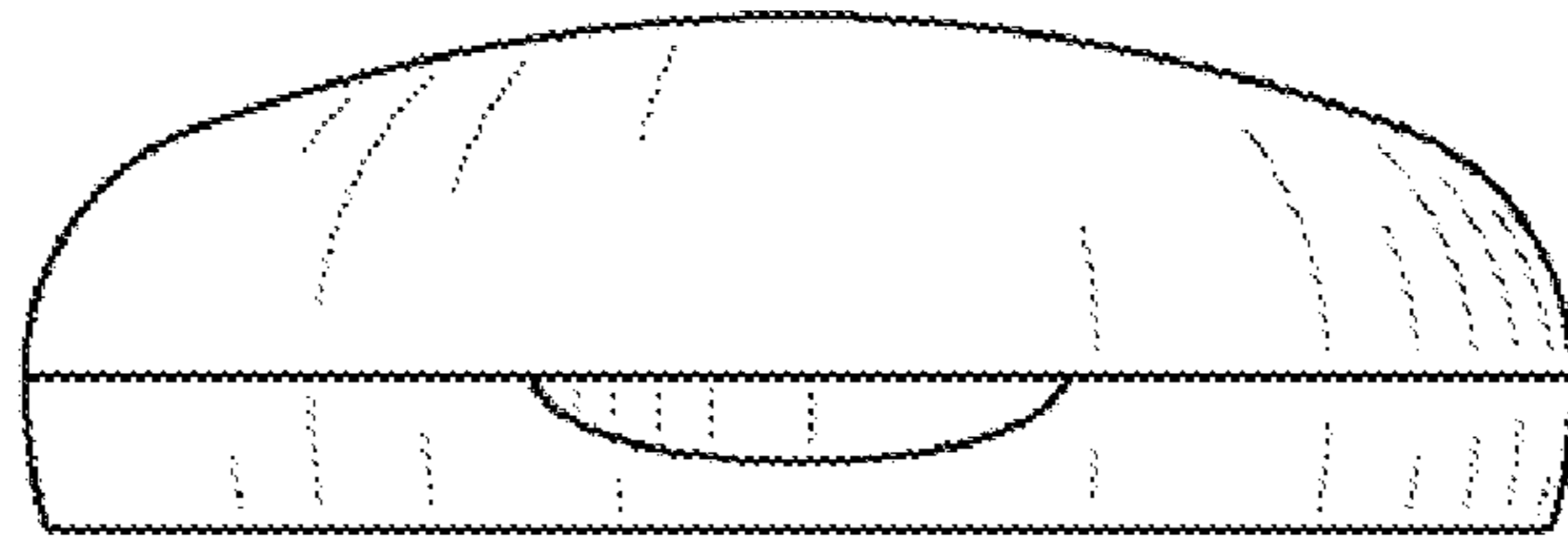


FIG. 4

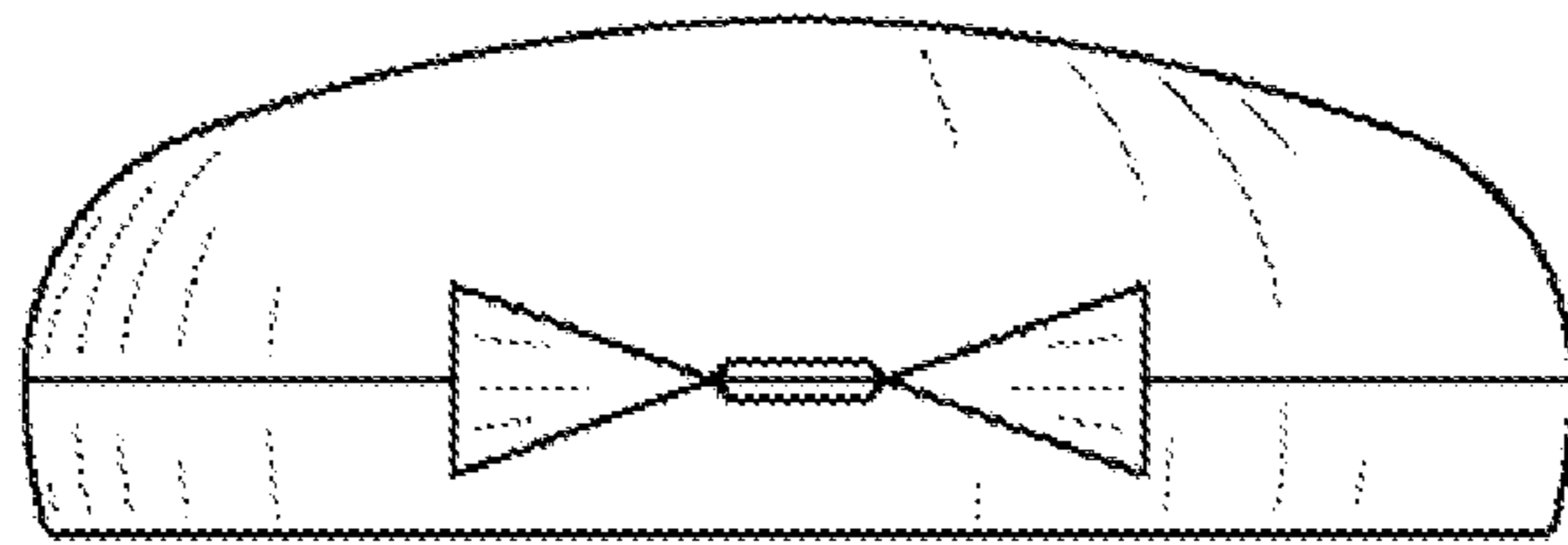


FIG. 5



FIG. 6

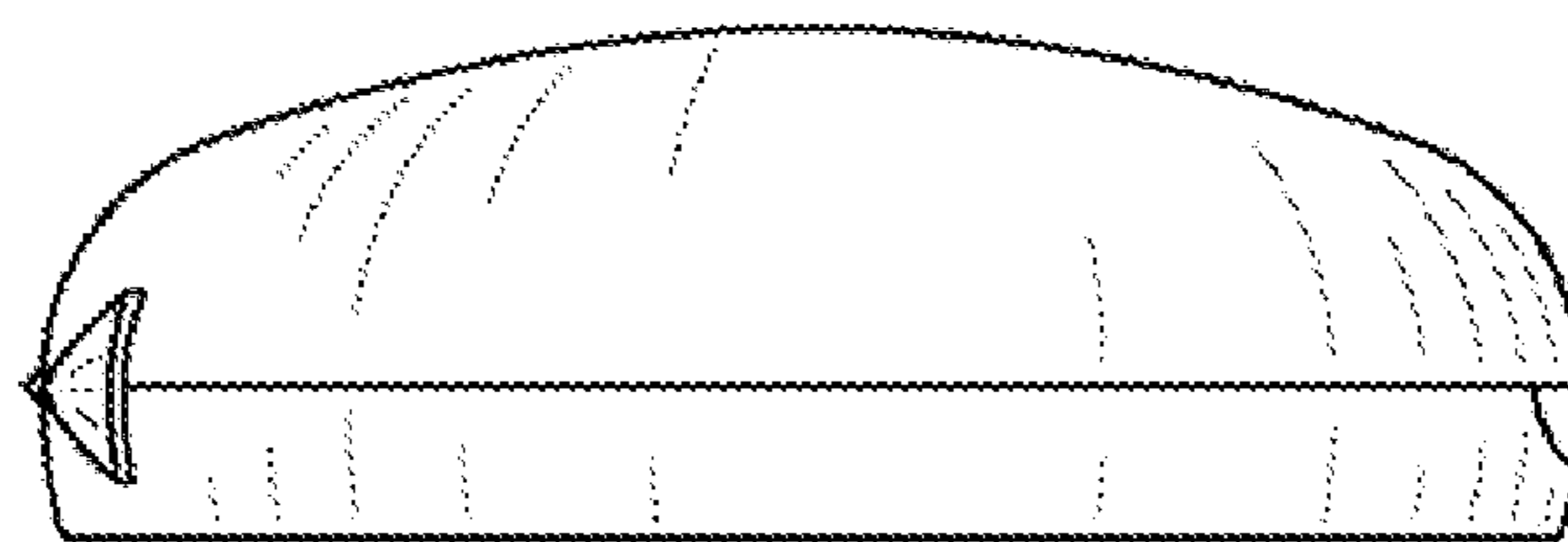


FIG. 7

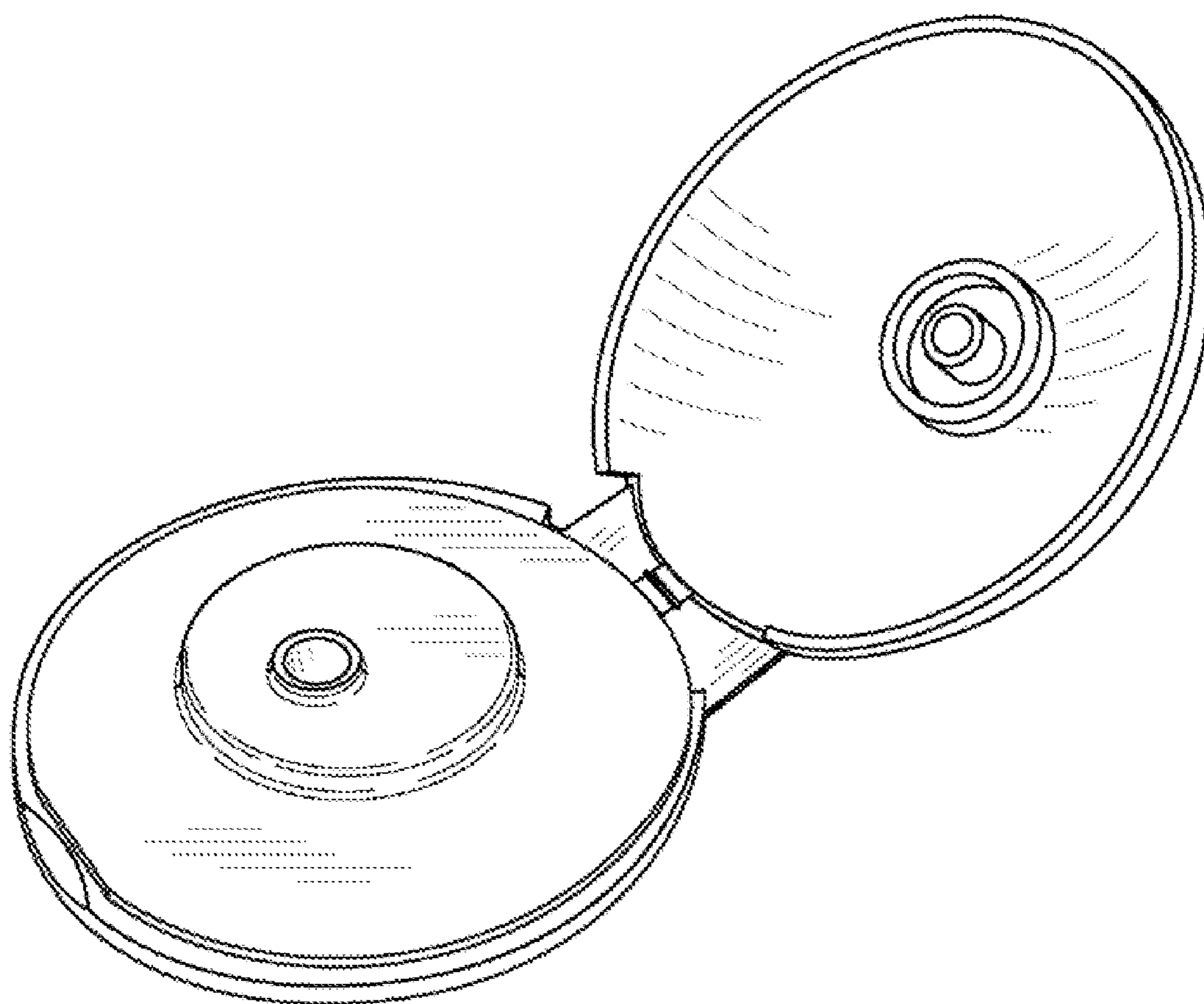


FIG. 8

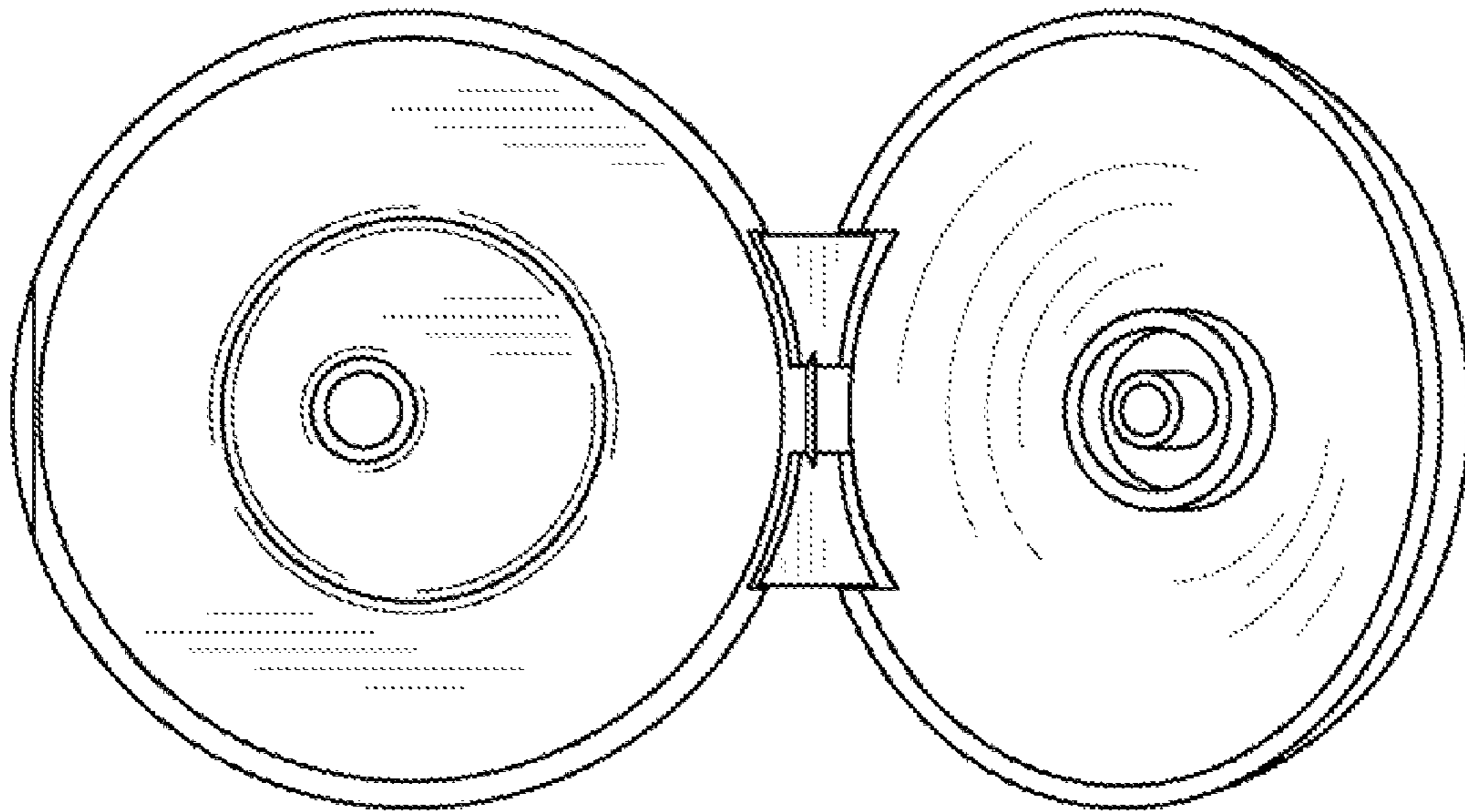


FIG. 9

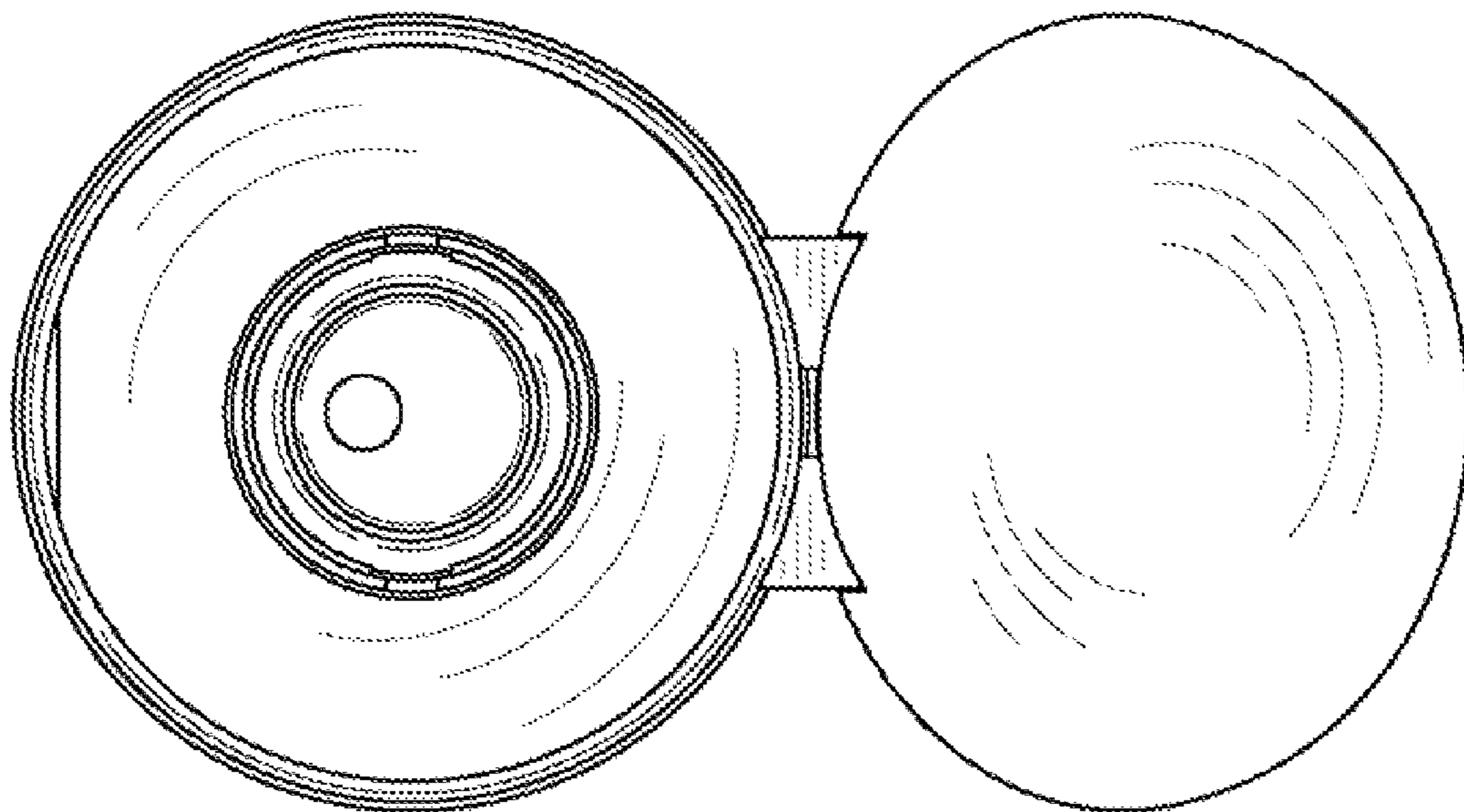


FIG. 10

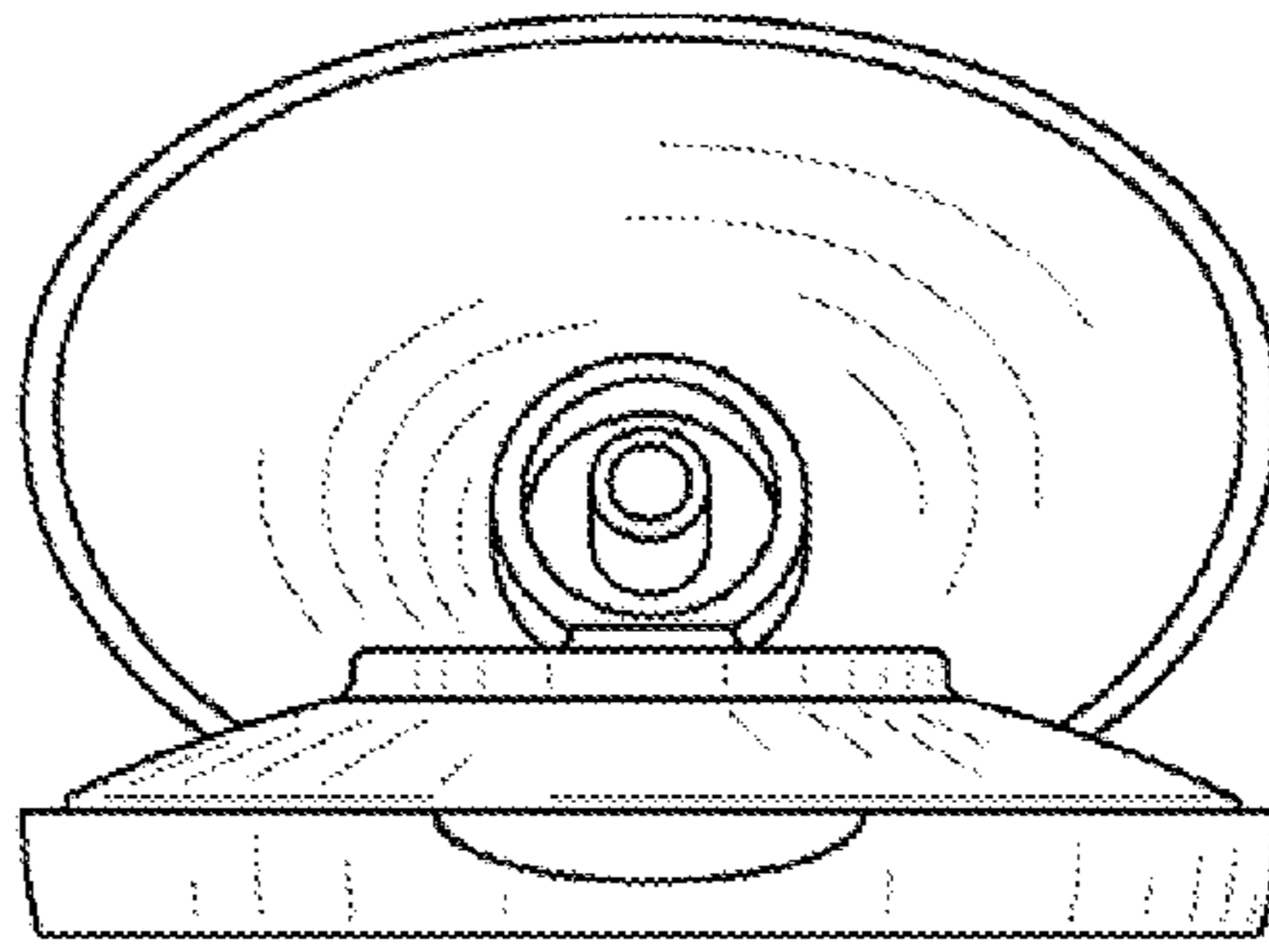


FIG. 11

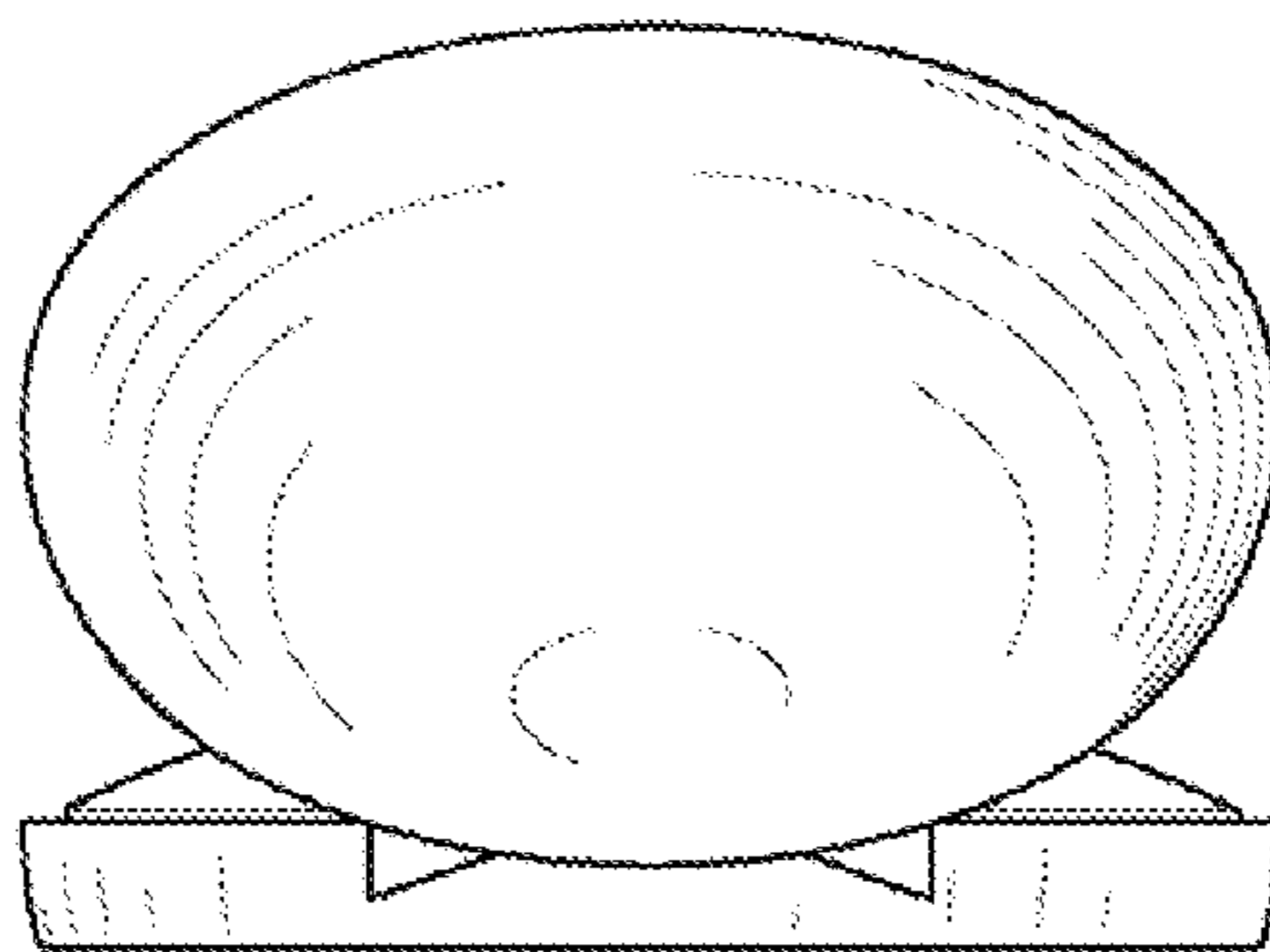


FIG. 12

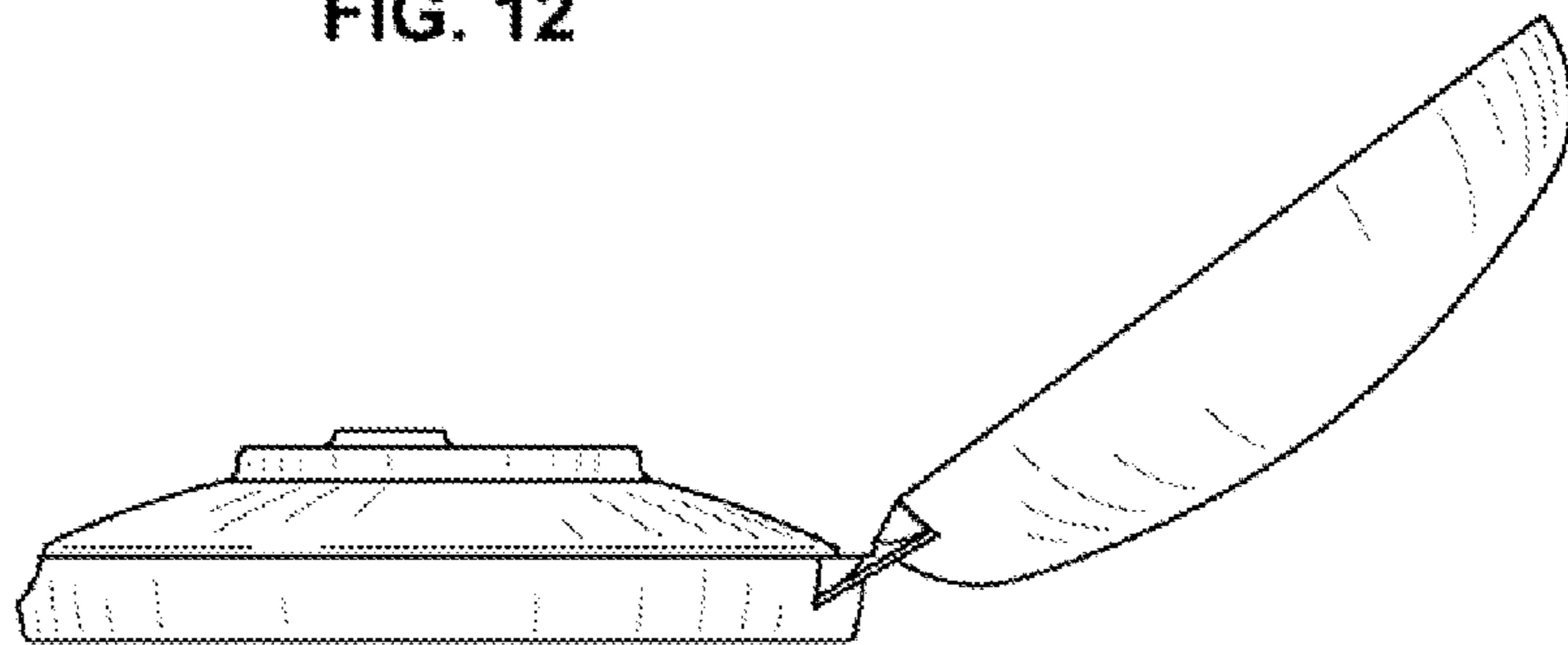


FIG. 13

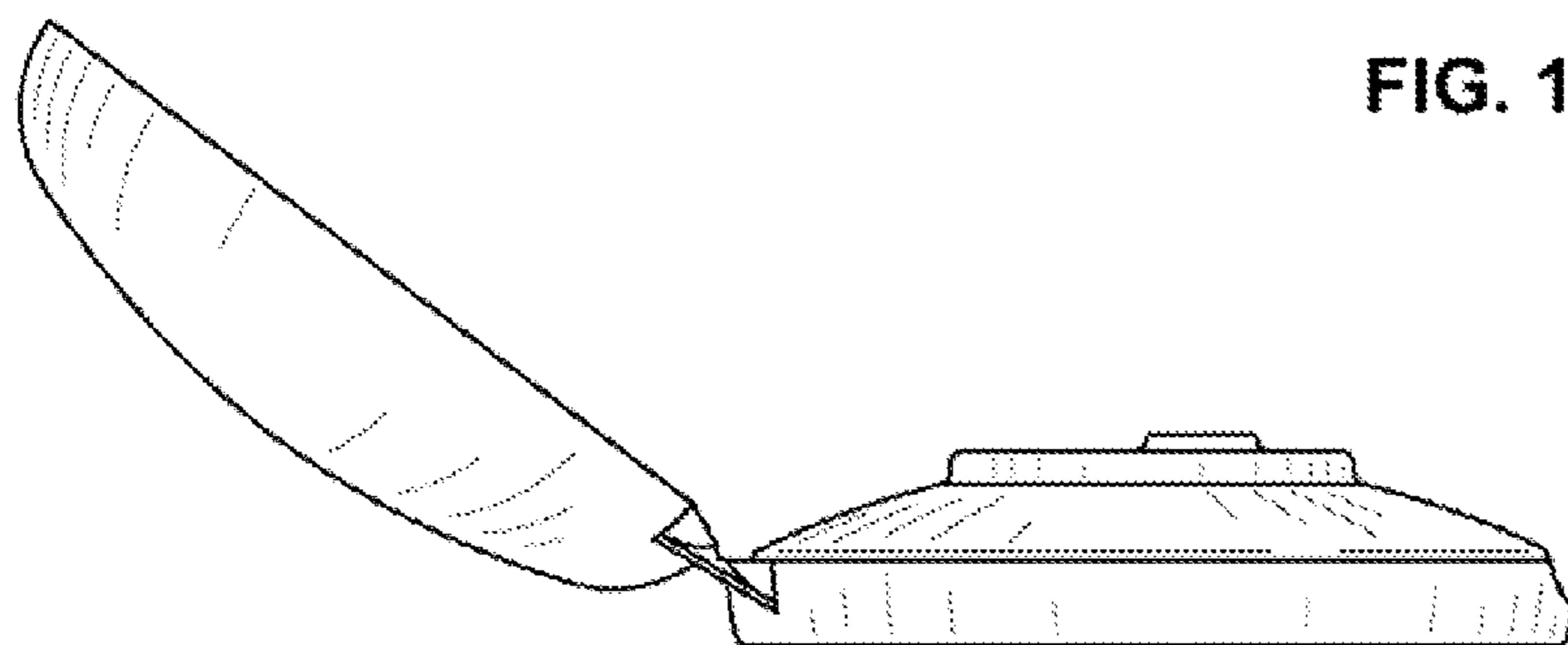


FIG. 14