



(12) **United States Design Patent**  
**Daggett**

(10) **Patent No.:** **US D603,703 S**  
(45) **Date of Patent:** **\*\* Nov. 10, 2009**

(54) **DISPENSING CLOSURE**

(75) Inventor: **Barry Michael Daggett**, Austintown,  
OH (US)  
(73) Assignee: **Weatherchem Corporation**, Twinsburg,  
OH (US)  
(\*\*) Term: **14 Years**  
(21) Appl. No.: **29/311,864**  
(22) Filed: **Jul. 16, 2009**

4,693,399 A *	9/1987	Hickman et al.	222/480
D305,206 S *	12/1989	Hickman et al.	D9/449
5,219,100 A *	6/1993	Beck et al.	222/480
RE37,634 E *	4/2002	Hickman et al.	222/480
6,464,113 B1 *	10/2002	Vogel	222/480
6,691,901 B2 *	2/2004	Parve et al.	222/556
7,007,830 B2 *	3/2006	Parve et al.	222/556
D532,298 S *	11/2006	Vogel	D9/447
D582,271 S *	12/2008	Vogel	D9/447
2003/0111495 A1 *	6/2003	Parve et al.	222/556
2007/0145082 A1 *	6/2007	Parve	222/480
2008/0257918 A1 *	10/2008	Vogel et al.	222/480

**Related U.S. Application Data**

(63) Continuation of application No. 12/382,270, filed on  
Mar. 12, 2009.

(51) **LOC (9) Cl.** ..... **09-07**  
(52) **U.S. Cl.** ..... **D9/449; D9/454**  
(58) **Field of Classification Search** ..... D9/556,  
D9/529, 454, 453, 452, 449, 443, 439, 504,  
D9/450, 447, 446, 730-732, 435; D8/312;  
D7/392.1; D23/261; D14/217; D12/197;  
229/123.1; 222/541.2, 575, 566, 556, 552,  
222/519, 494, 480, 479, 212, 565; 220/288,  
220/810, 781; 215/350, 344, 295, 270, 256,  
215/252, 218, 216, 209, 206, 235, 236, 331,  
215/220; 206/534; 116/308-315  
See application file for complete search history.

(56) **References Cited**  
U.S. PATENT DOCUMENTS

D278,602 S \* 4/1985 Rosenstein ..... D9/449

\* cited by examiner

*Primary Examiner*—Susan Bennett Hattan  
(74) *Attorney, Agent, or Firm*—Andrews Kurth LLP

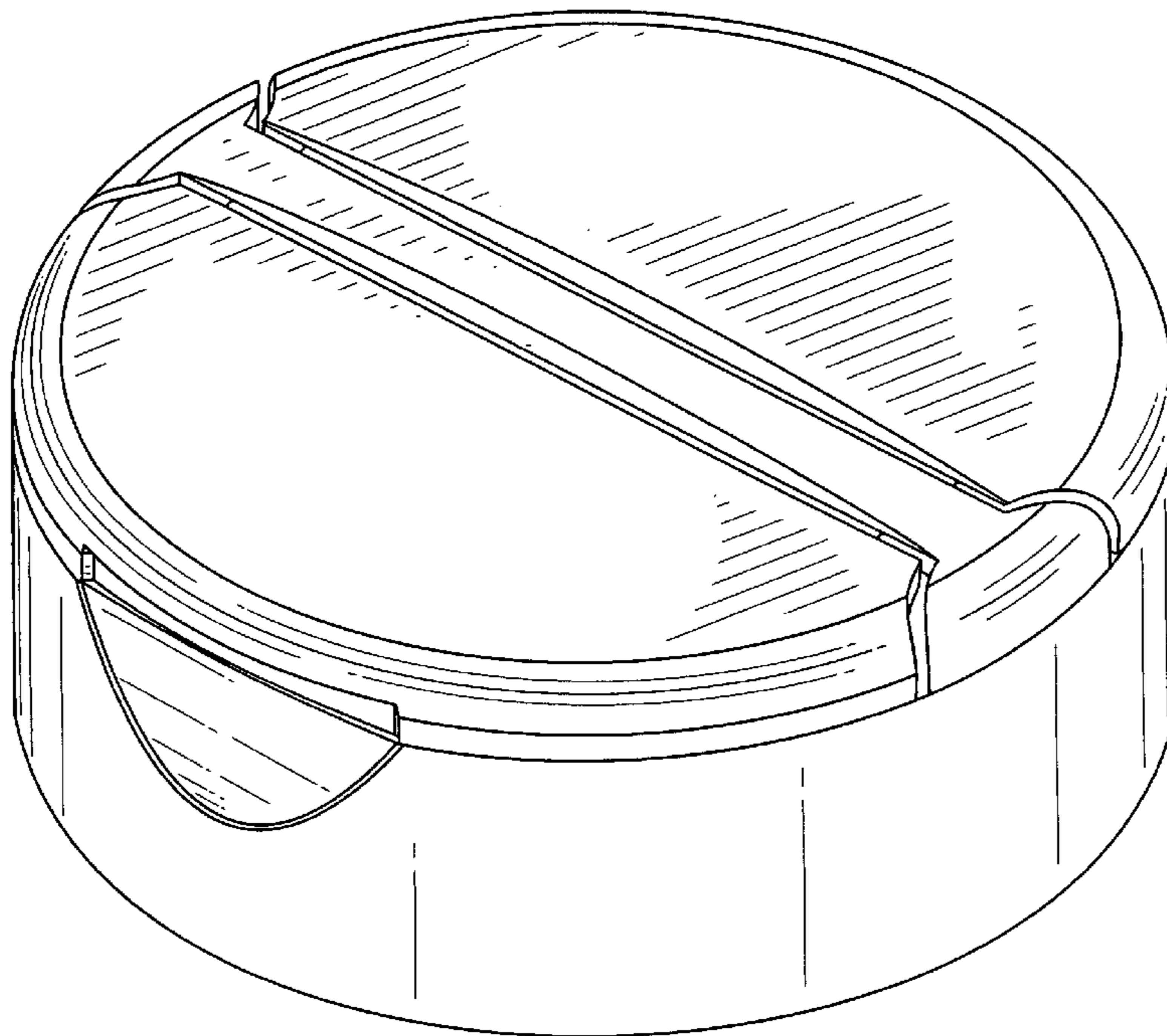
(57) **CLAIM**

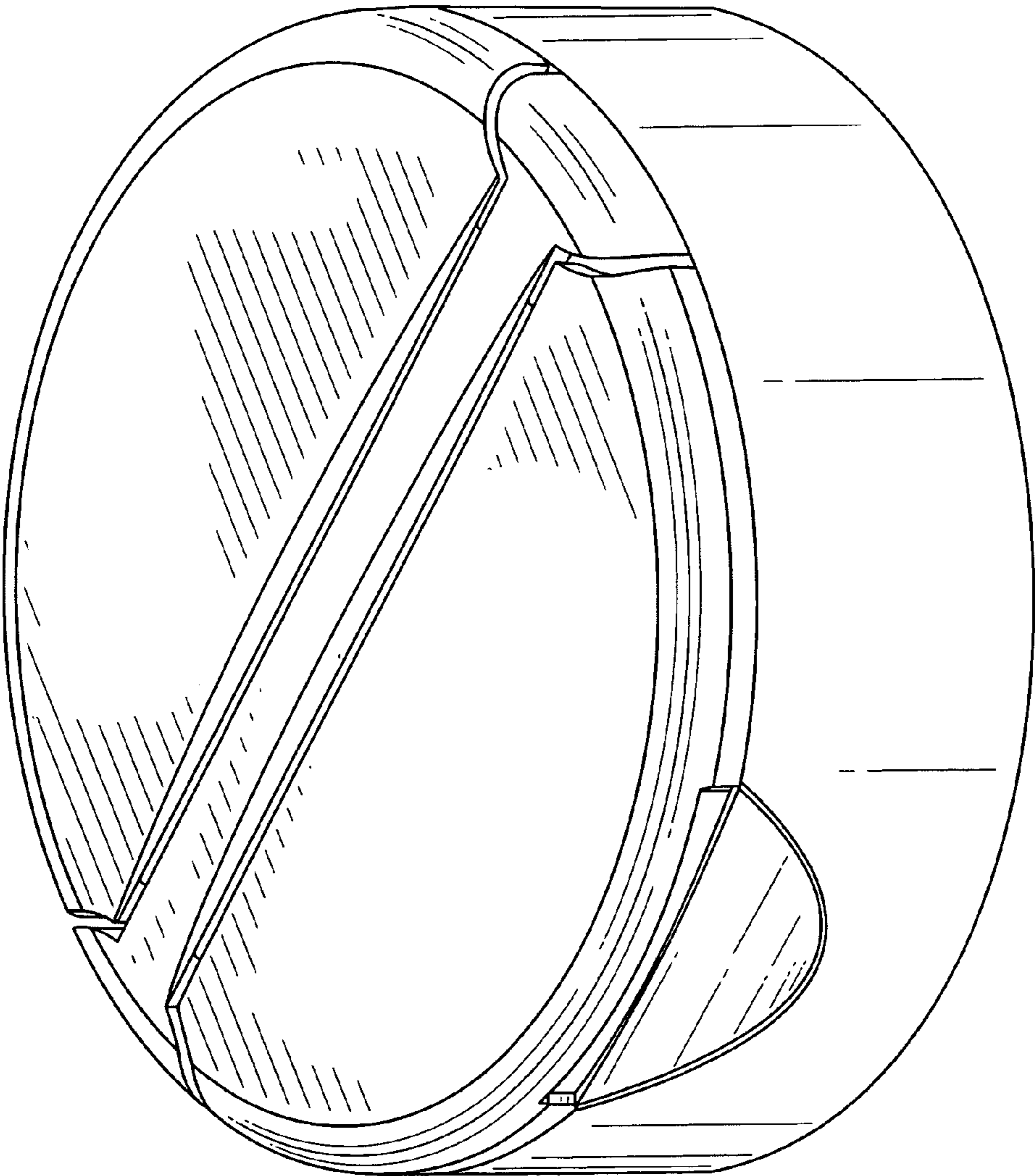
The ornamental design for a dispensing closure, as shown and  
described.

**DESCRIPTION**

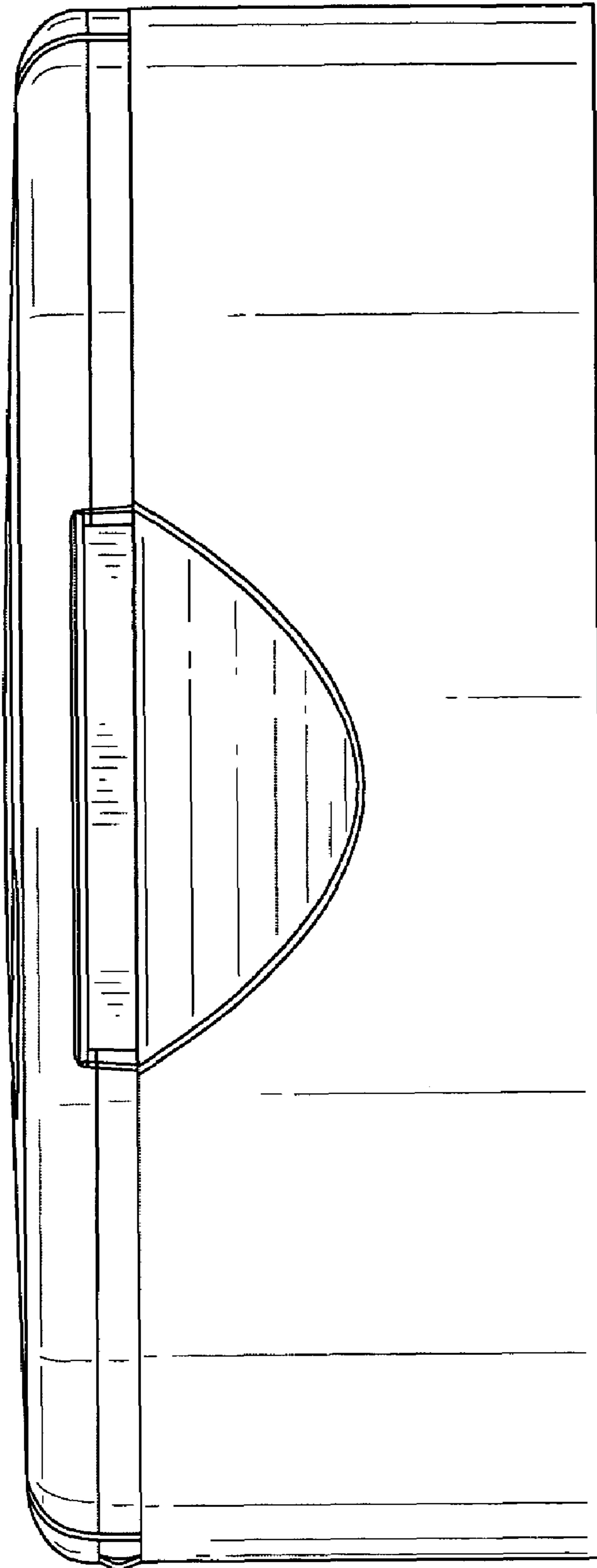
FIG. 1 is a top, front and right side perspective view of a  
dispensing closure showing our new design;  
FIG. 2 is a front elevation view thereof;  
FIG. 3 is a rear elevation view thereof;  
FIG. 4 is a left side elevation view thereof;  
FIG. 5 is a right side elevation view thereof; and,  
FIG. 6 is a top, front and left side perspective view thereof.

**1 Claim, 6 Drawing Sheets**

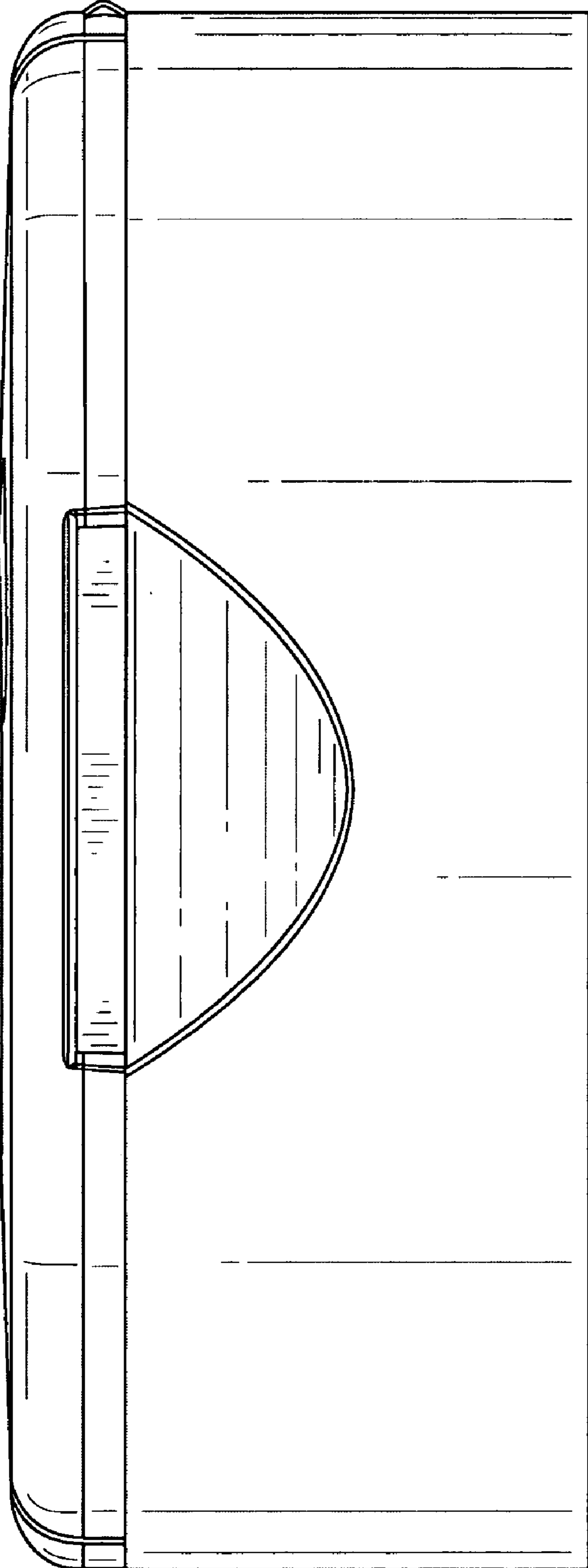




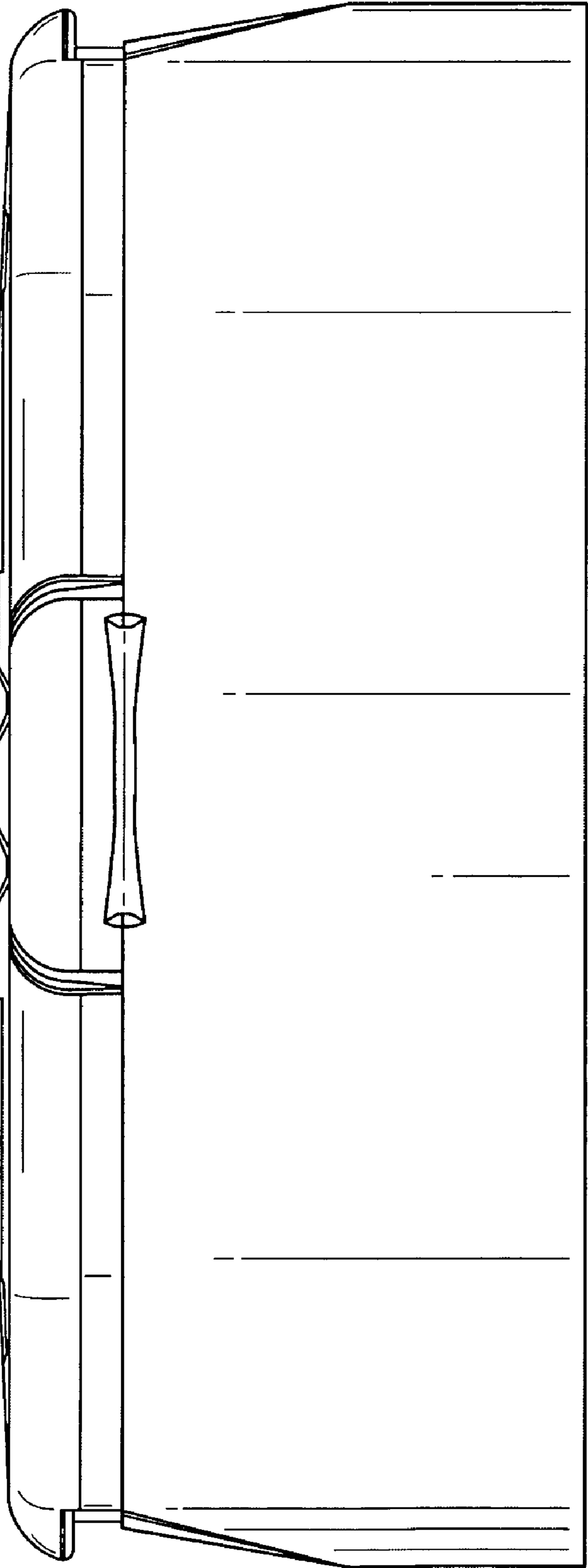
**FIG. 1**



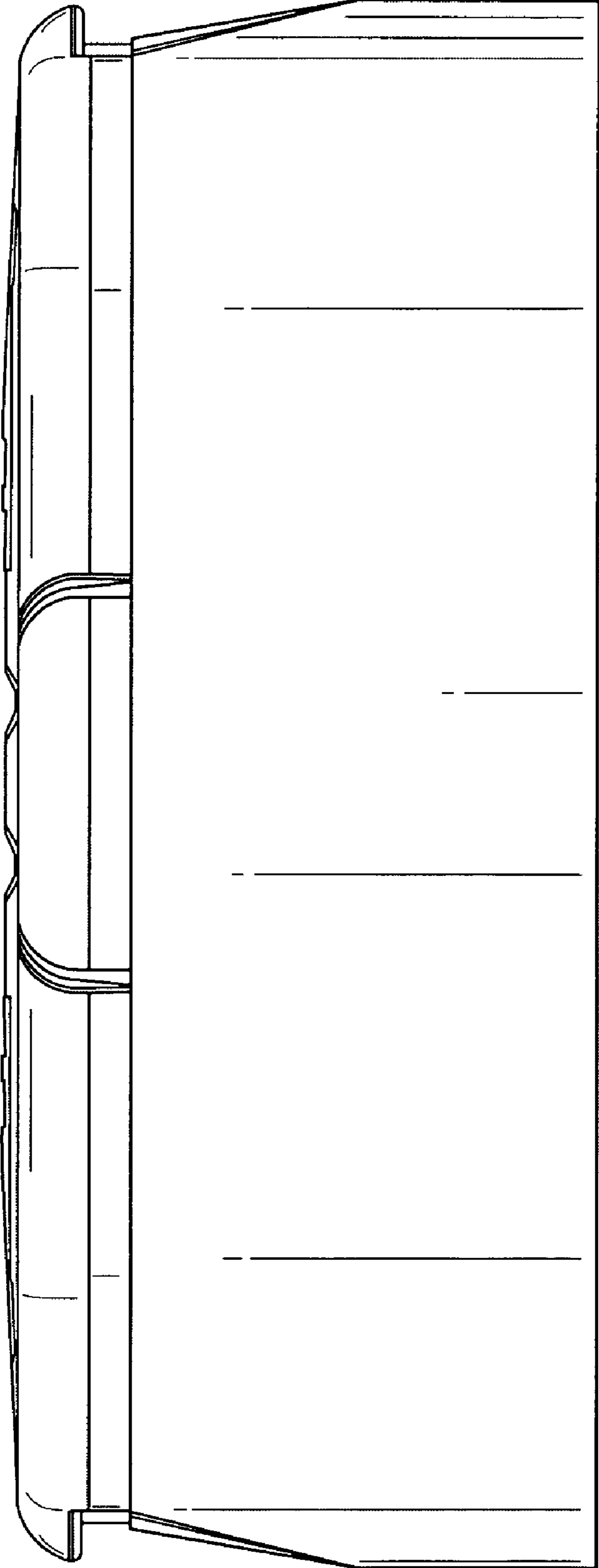
**FIG. 2**



**FIG. 3**



**FIG. 4**



**FIG. 5**

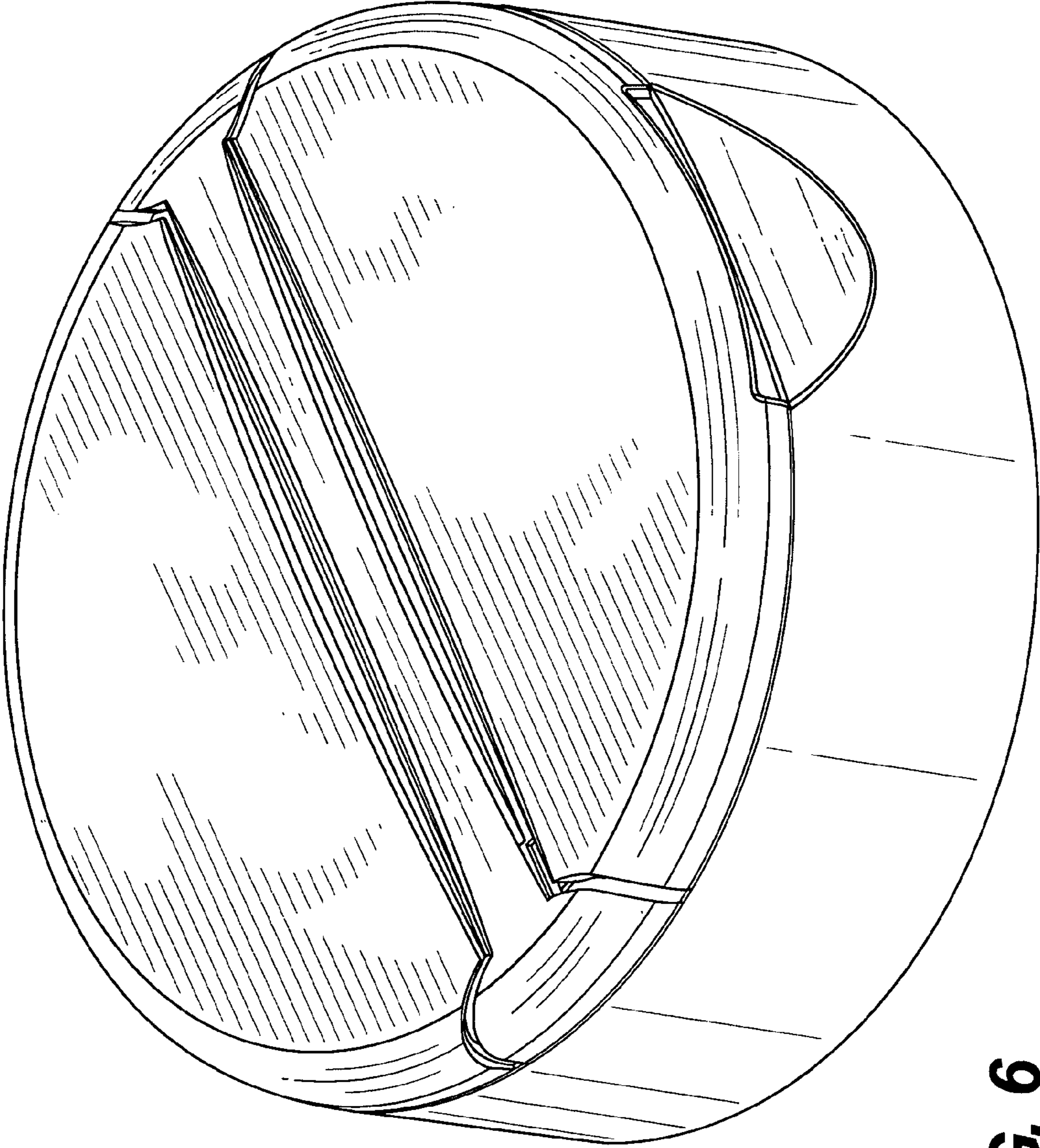


FIG. 6