



US00D603702S

(12) **United States Design Patent**
Daggett

(10) **Patent No.:** **US D603,702 S**

(45) **Date of Patent:** **** Nov. 10, 2009**

(54) **DISPENSING CLOSURE**

(75) Inventor: **Barry Michael Daggett**, Austintown,
OH (US)

(73) Assignee: **Weatherchem Corporation**, Twinsburg,
OH (US)

(**) Term: **14 Years**

(21) Appl. No.: **29/309,999**

(22) Filed: **Dec. 2, 2008**

(51) **LOC (9) Cl.** **09-07**

(52) **U.S. Cl.** **D9/449; D9/454**

(58) **Field of Classification Search** D9/556,
D9/529, 454, 453, 452, 449, 443, 439, 504,
D9/450, 447, 446, 730-732, 435; D8/312;
D7/392.1; D23/261; D14/217; D12/197;
229/123.1; 222/541.2, 575, 566, 556, 552,
222/519, 494, 480, 479, 212, 565; 220/288,
220/810, 781; 215/350, 344, 295, 270, 256,
215/252, 218, 216, 209, 206, 235, 236, 331,
215/220; 206/534; 116/308-315

See application file for complete search history.

(56) **References Cited**

U.S. PATENT DOCUMENTS

D278,602 S * 4/1985 Rosenstein D9/449
4,693,399 A * 9/1987 Hickman et al. 222/480
D305,206 S * 12/1989 Hickman et al. D9/449
5,219,100 A * 6/1993 Beck et al. 222/480
RE37,634 E * 4/2002 Hickman et al. 222/480

6,464,113 B1 * 10/2002 Vogel 222/480
6,691,901 B2 * 2/2004 Parve et al. 222/556
7,007,830 B2 * 3/2006 Parve et al. 222/556
D532,298 S * 11/2006 Vogel D9/447
D582,271 S * 12/2008 Vogel D9/447
2003/0111495 A1 * 6/2003 Parve et al. 222/556
2007/0145082 A1 * 6/2007 Parve 222/480
2008/0257918 A1 * 10/2008 Vogel et al. 222/480

* cited by examiner

Primary Examiner—Susan Bennett Hattan

(74) *Attorney, Agent, or Firm*—Andrews Kurth LLP

(57) **CLAIM**

The ornamental design for a dispensing closure, as shown and described.

DESCRIPTION

FIG. 1 is a top, front and right side perspective view of a dispensing closure showing our new design;

FIG. 2 is a side elevation view thereof;

FIG. 3 is a front elevation view thereof;

FIG. 4 is a top plan view thereof;

FIG. 5 is a top, front and right side perspective view of the dispensing closure with the flappers in open position;

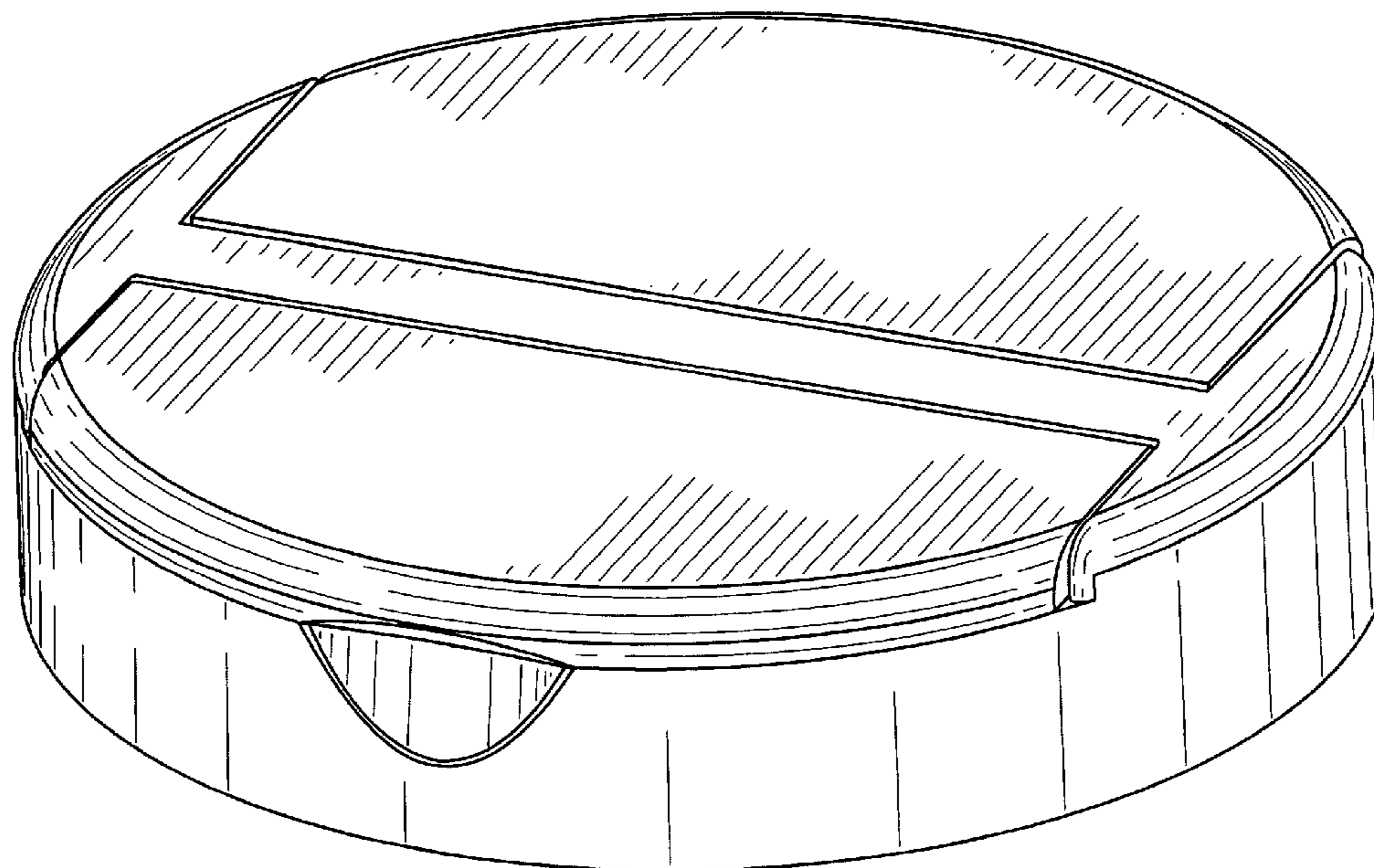
FIG. 6 is a front elevation view thereof;

FIG. 7 is a rear elevation view thereof;

FIG. 8 is a side elevation view thereof; and,

FIG. 9 is a top plan view thereof.

1 Claim, 6 Drawing Sheets



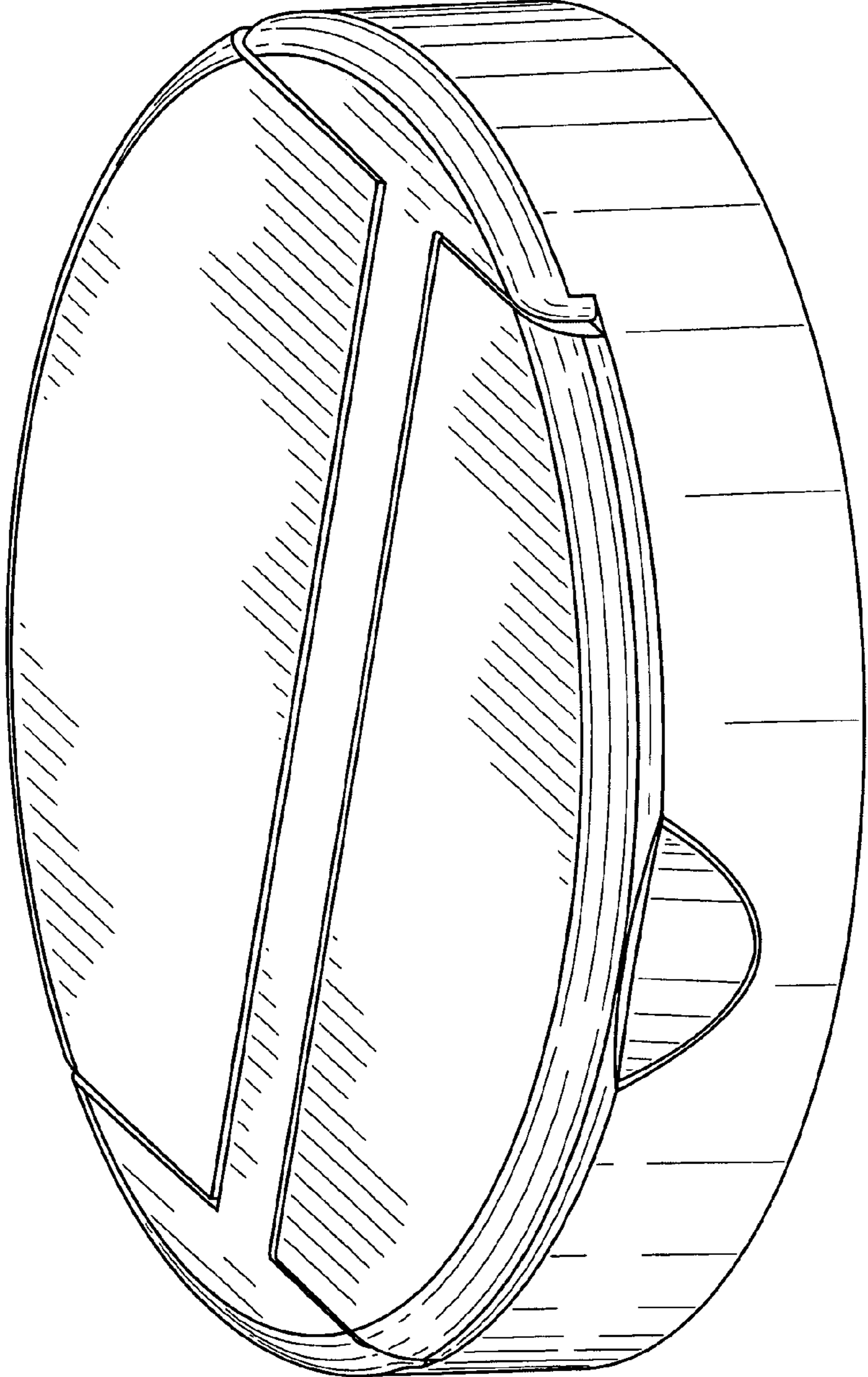


FIG. 1

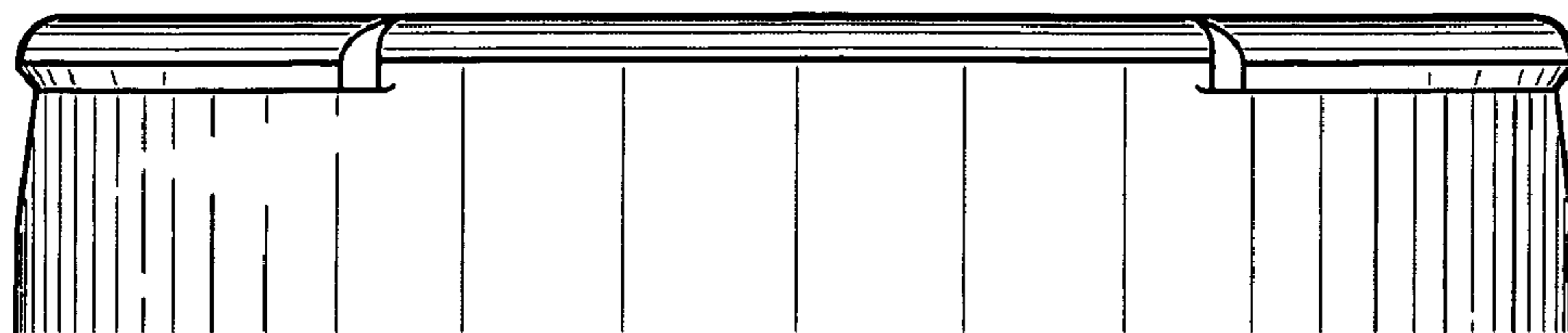


FIG. 2

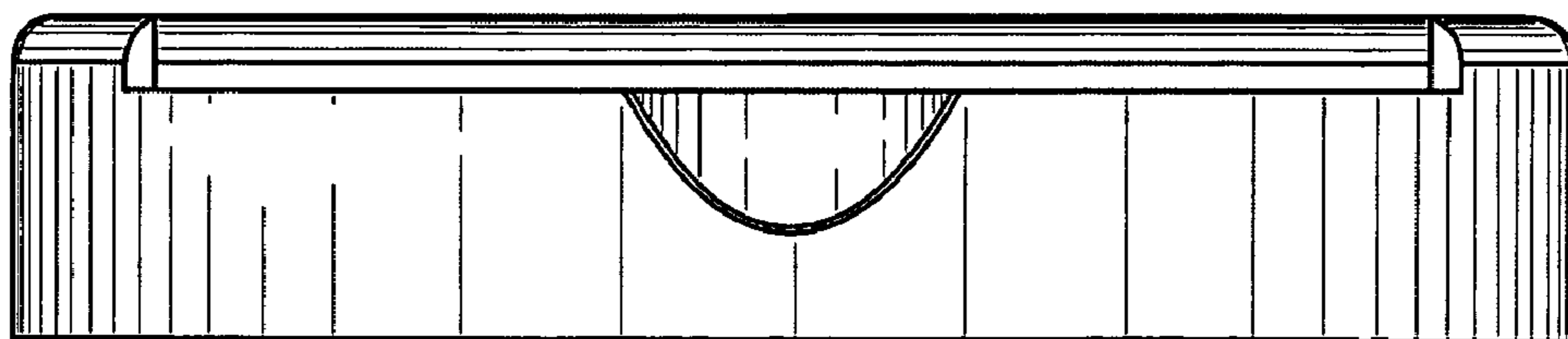


FIG. 3

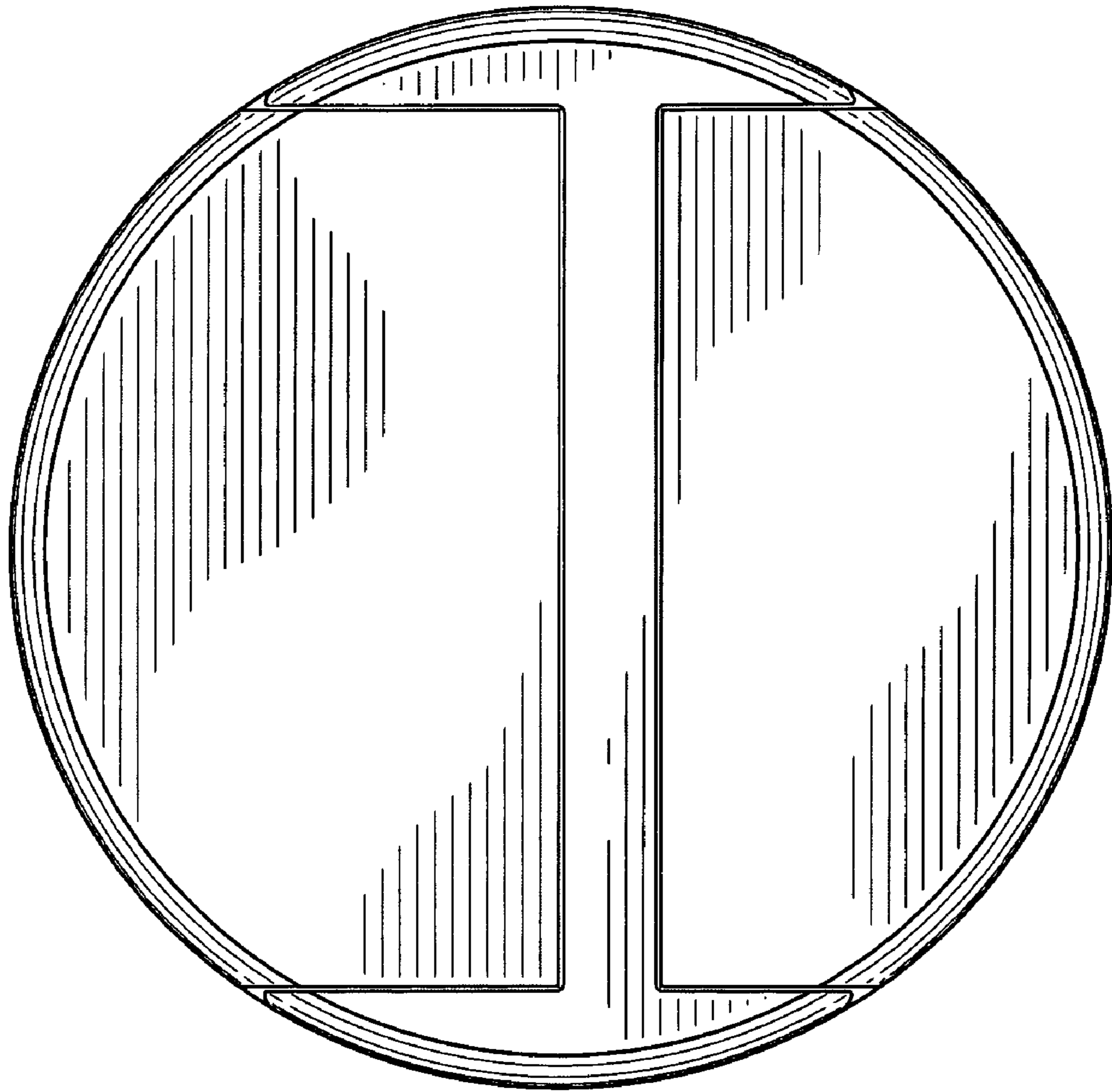


FIG. 4

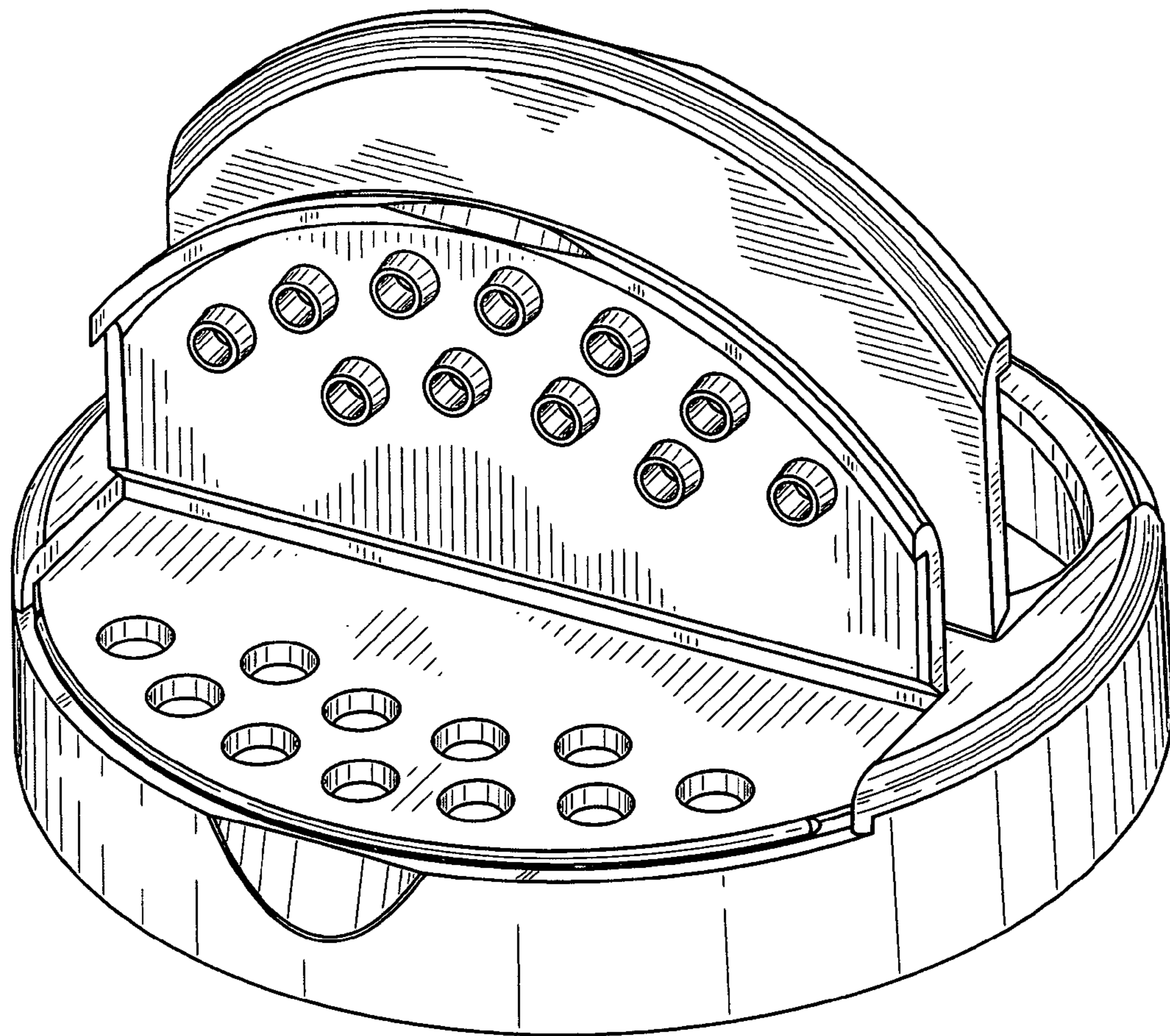


FIG. 5

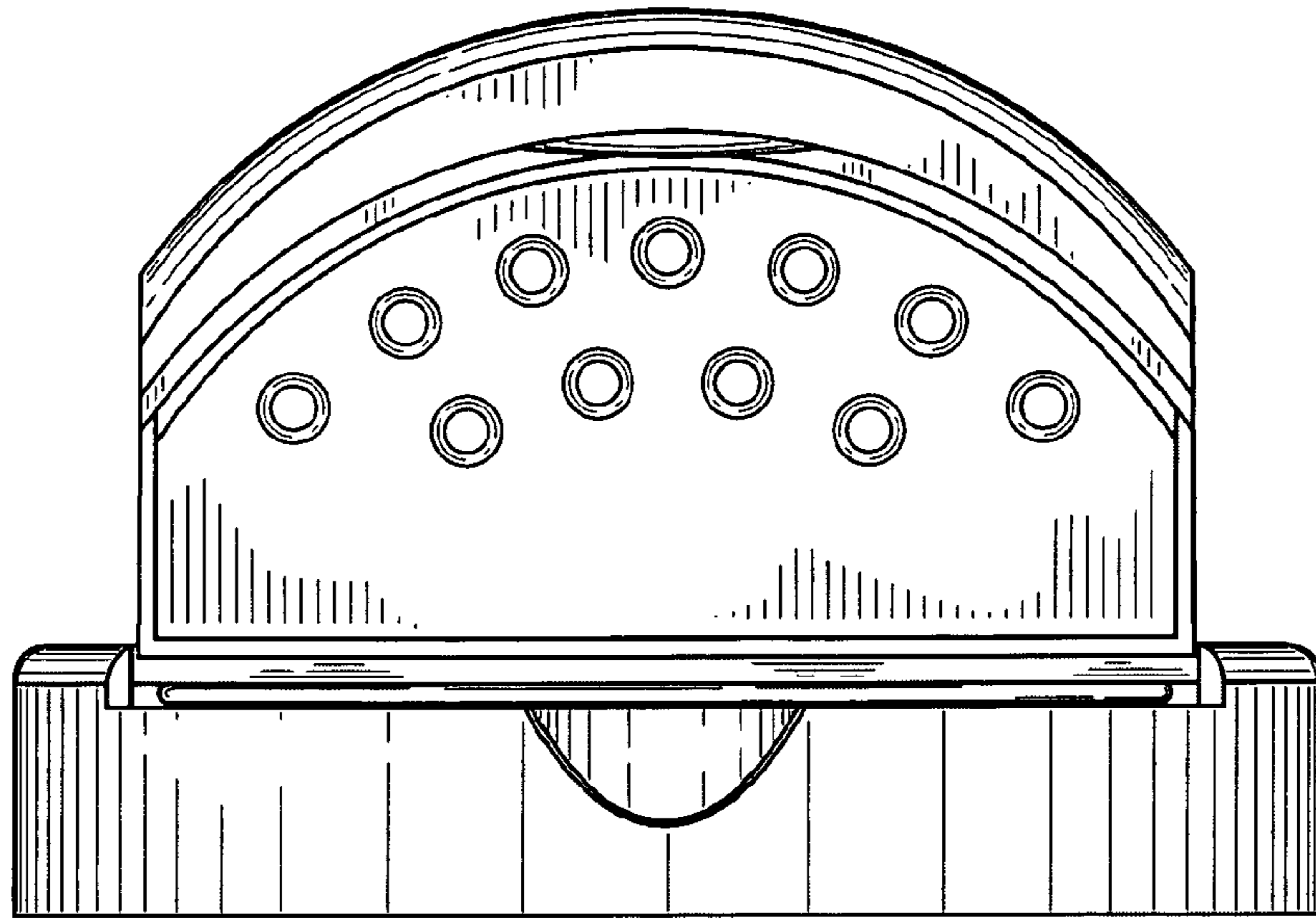


FIG. 6

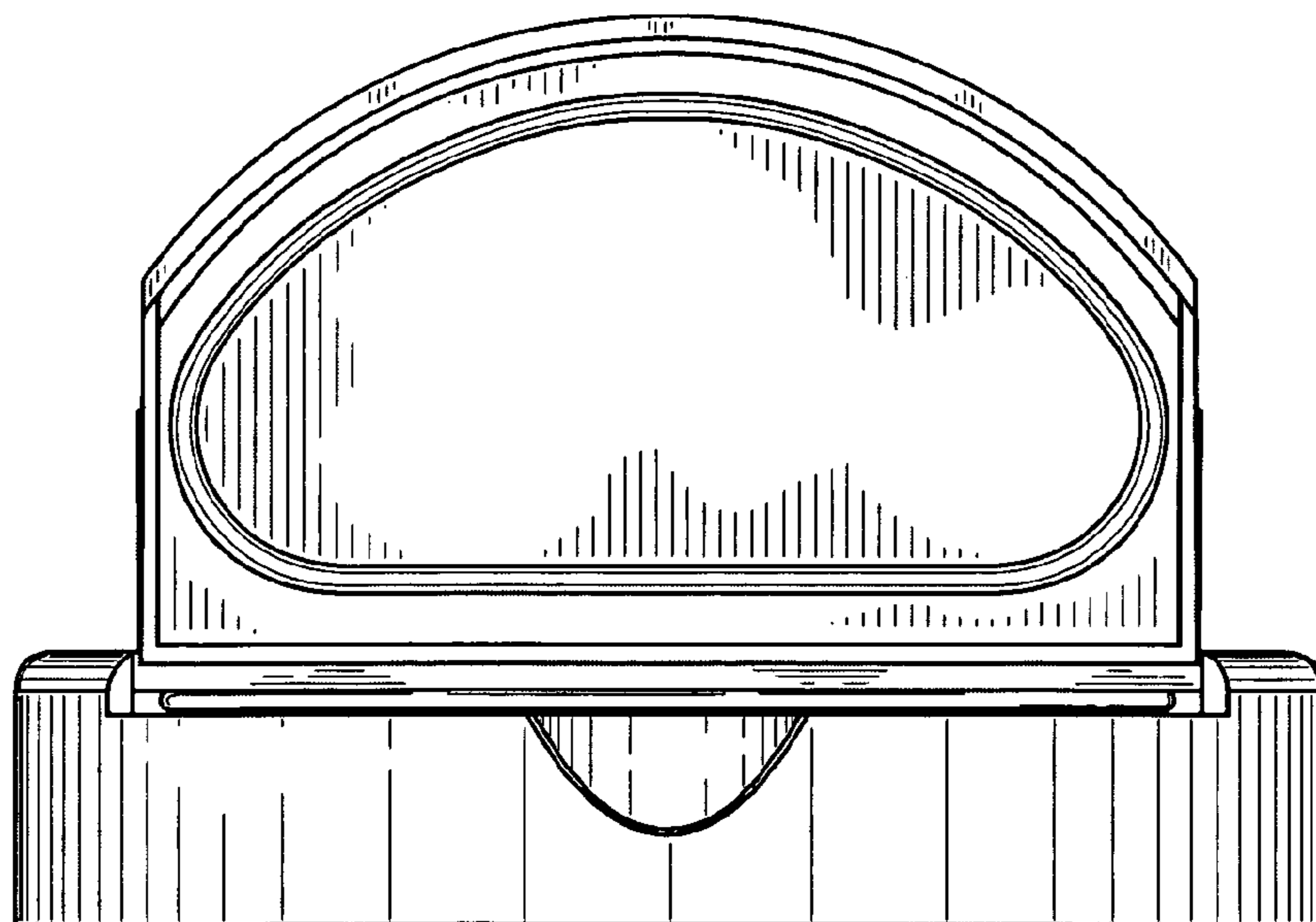


FIG. 7

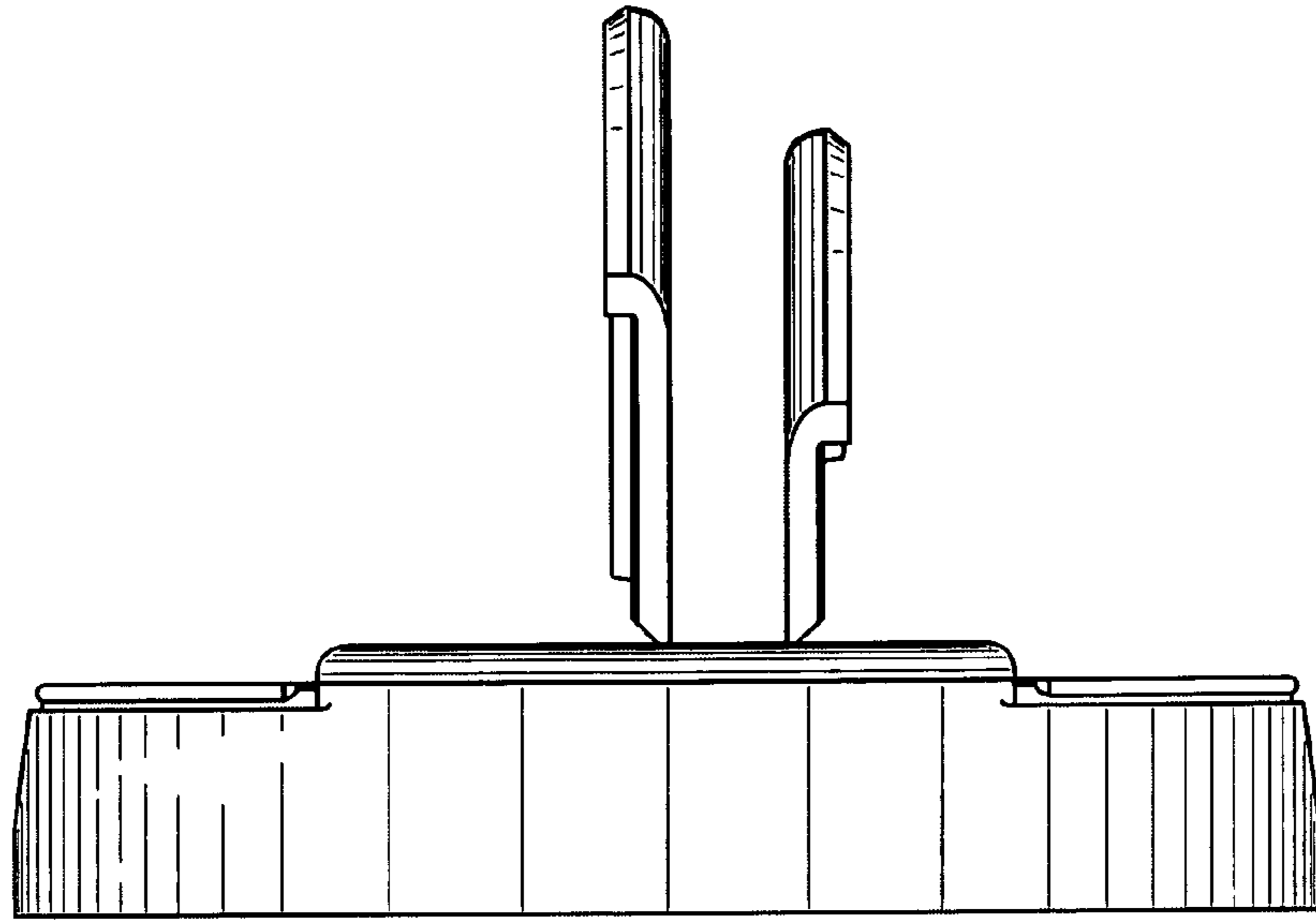


FIG. 8

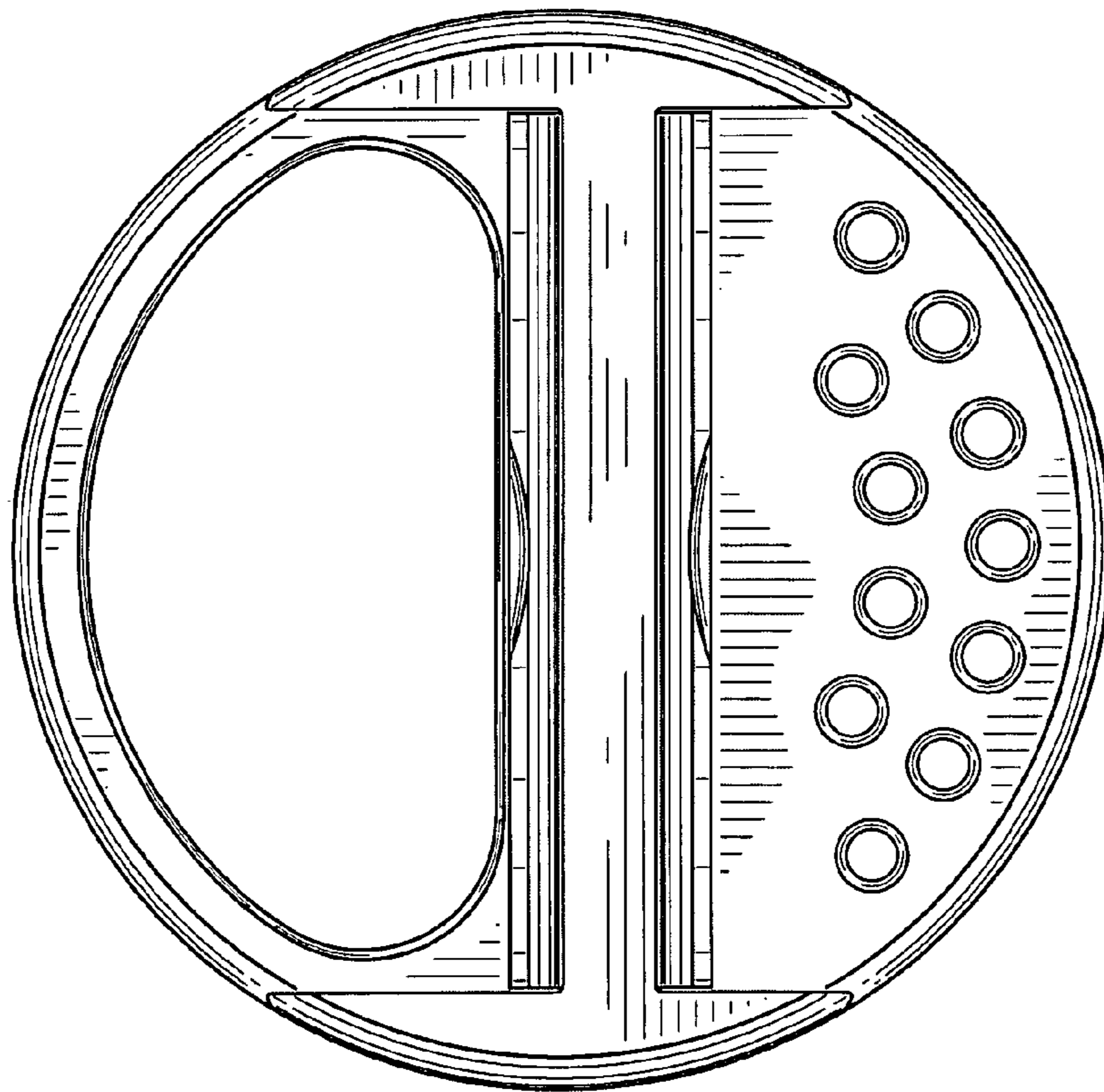


FIG. 9