



US00D603698S

(12) **United States Design Patent**  
**VerWeyst**

(10) **Patent No.:** **US D603,698 S**

(45) **Date of Patent:** **\*\* Nov. 10, 2009**

(54) **CONTAINER**

(75) **Inventor:** **Gordon E. VerWeyst**, Rockford, IL  
(US)

(73) **Assignee:** **J.L. Clark, Inc.**, Rockford, IL (US)

(\*\*) **Term:** **14 Years**

(21) **Appl. No.:** **29/226,865**

(22) **Filed:** **Apr. 1, 2005**

(51) **LOC (9) Cl.** ..... **09-03**

(52) **U.S. Cl.** ..... **D9/428; D9/505**

(58) **Field of Classification Search** ..... D9/414,  
D9/420-422, 428, 449, 500, 503-504, 509,  
D9/511, 513, 515, 524, 529, 715; D3/203.2;  
D28/66, 76, 82, 91; 206/6.1, 568, 581; 220/823  
See application file for complete search history.

(56) **References Cited**

**U.S. PATENT DOCUMENTS**

411,773	A	*	10/1889	Atkinson	.....	220/4.24
3,659,756	A		5/1972	Lancaster		
D278,602	S		4/1985	Rosenstein		
D291,411	S		8/1987	Crawford		
4,693,399	A		9/1987	Hickman et al.		
D303,584	S		9/1989	Bakic		
4,898,292	A		2/1990	VerWeyst et al.		
D321,137	S	*	10/1991	Hofmann et al.	.....	D9/447
5,085,331	A		2/1992	Groya et al.		
5,139,181	A		8/1992	VerWeyst		
D350,837	S		9/1994	Kirby		
D399,603	S	*	10/1998	Hemsley et al.	.....	D28/66
D403,470	S		12/1998	Litton et al.		
D409,086	S		5/1999	Brown et al.		
D431,458	S		10/2000	Bried et al.		
D433,190	S	*	10/2000	Finocchiaro et al.	.....	D28/76

D456,713	S	*	5/2002	Bried et al.	.....	D9/449
D460,692	S	*	7/2002	Cumberbatch	.....	D9/500
D462,613	S	*	9/2002	Bried et al.	.....	D9/428
D464,886	S	*	10/2002	Bried et al.	.....	D9/504
D506,128	S	*	6/2005	Foi	.....	D9/715

\* cited by examiner

*Primary Examiner*—Ian Simmons

*Assistant Examiner*—Dana L Sipos

(74) *Attorney, Agent, or Firm*—Leydig, Voit & Mayer, Ltd.

(57) **CLAIM**

I claim the ornamental design for the container, as shown and described.

**DESCRIPTION**

FIG. 1 is a top, left side perspective view of a container showing my new design;

FIG. 2 is a top, left side perspective view thereof, shown in the open position;

FIG. 3 is a front elevation view of FIG. 1, shown at a reduced scale;

FIG. 4 is a top plan view thereof;

FIG. 5 is a rear elevation view thereof;

FIG. 6 is a bottom plan view thereof;

FIG. 7 is a right side elevation view thereof, the left side elevation being a mirror image;

FIG. 8 is a right side elevation view of the container of FIG. 2, shown at a reduced scale;

FIG. 9 is a left side elevation view thereof;

FIG. 10 is a front elevation view thereof; and,

FIG. 11 is a rear elevation view thereof.

**1 Claim, 3 Drawing Sheets**

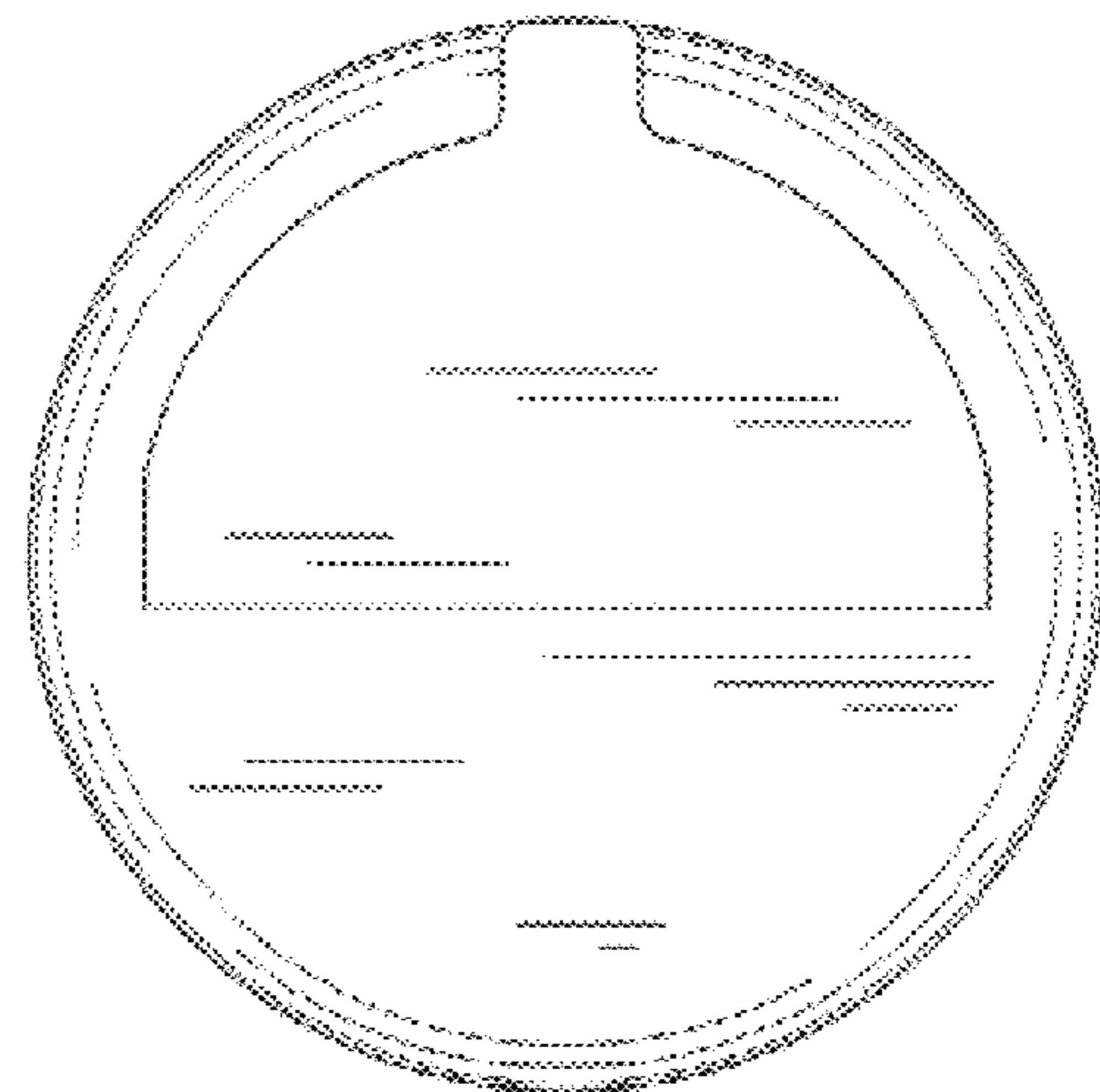
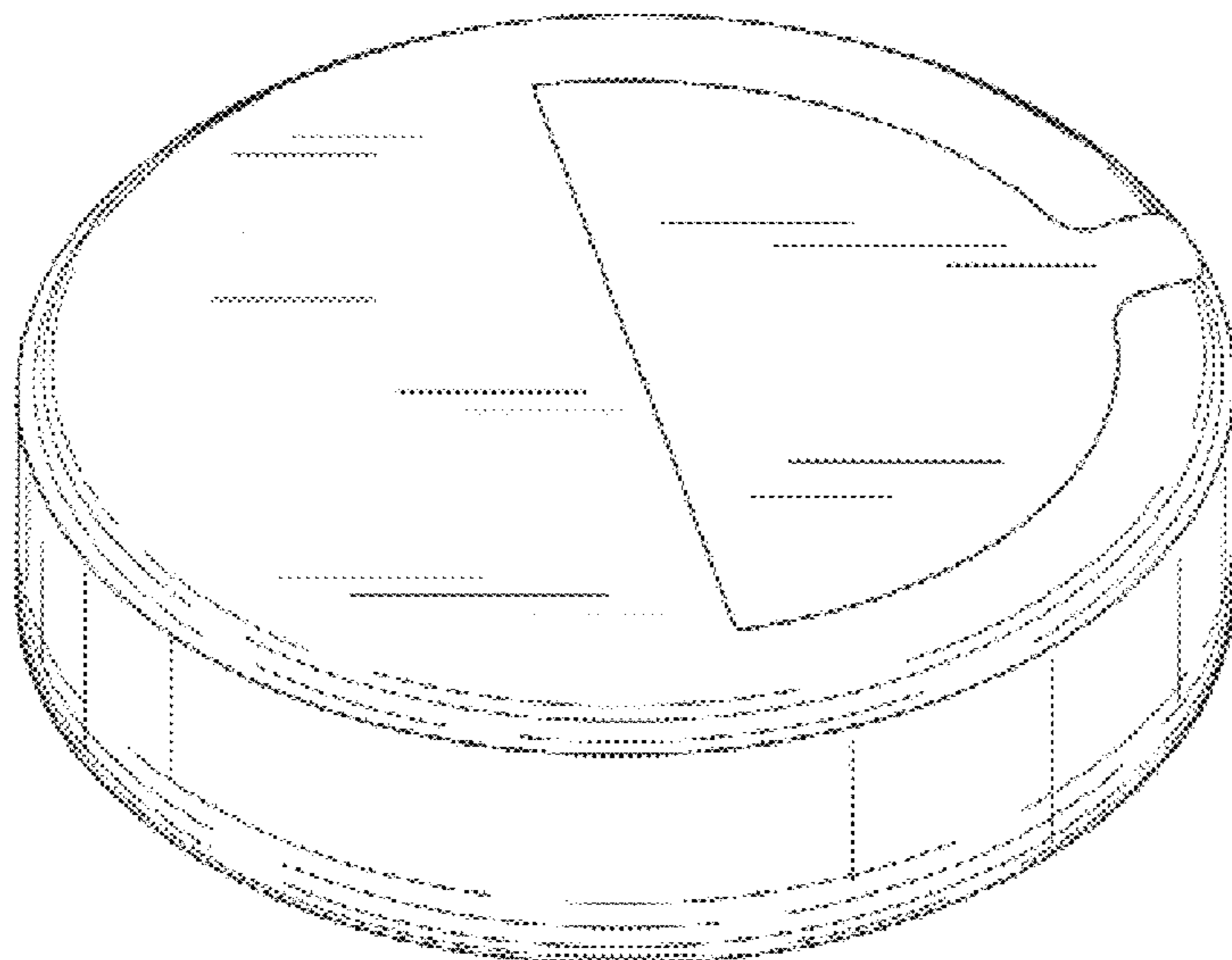


FIG. 1

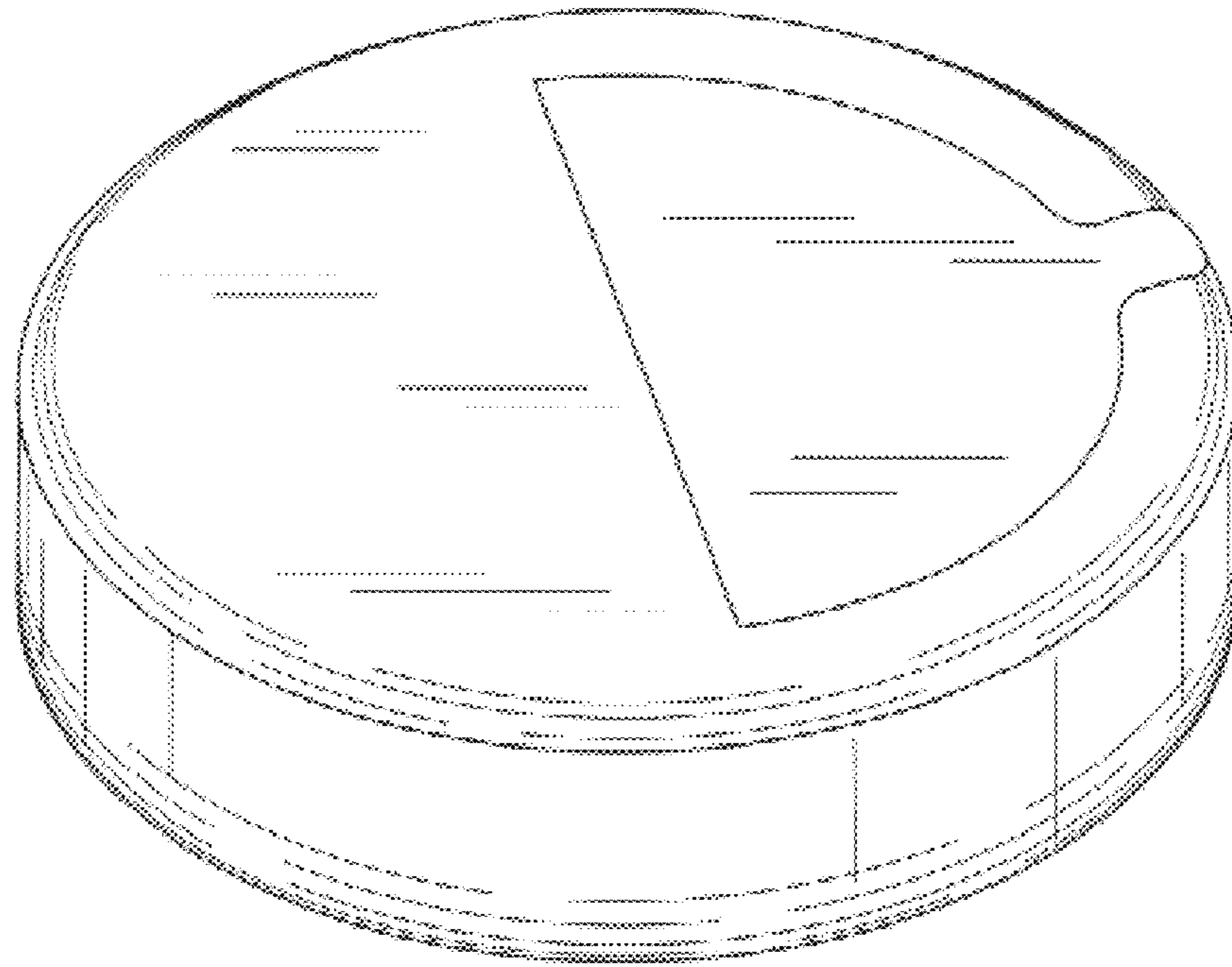


FIG. 2

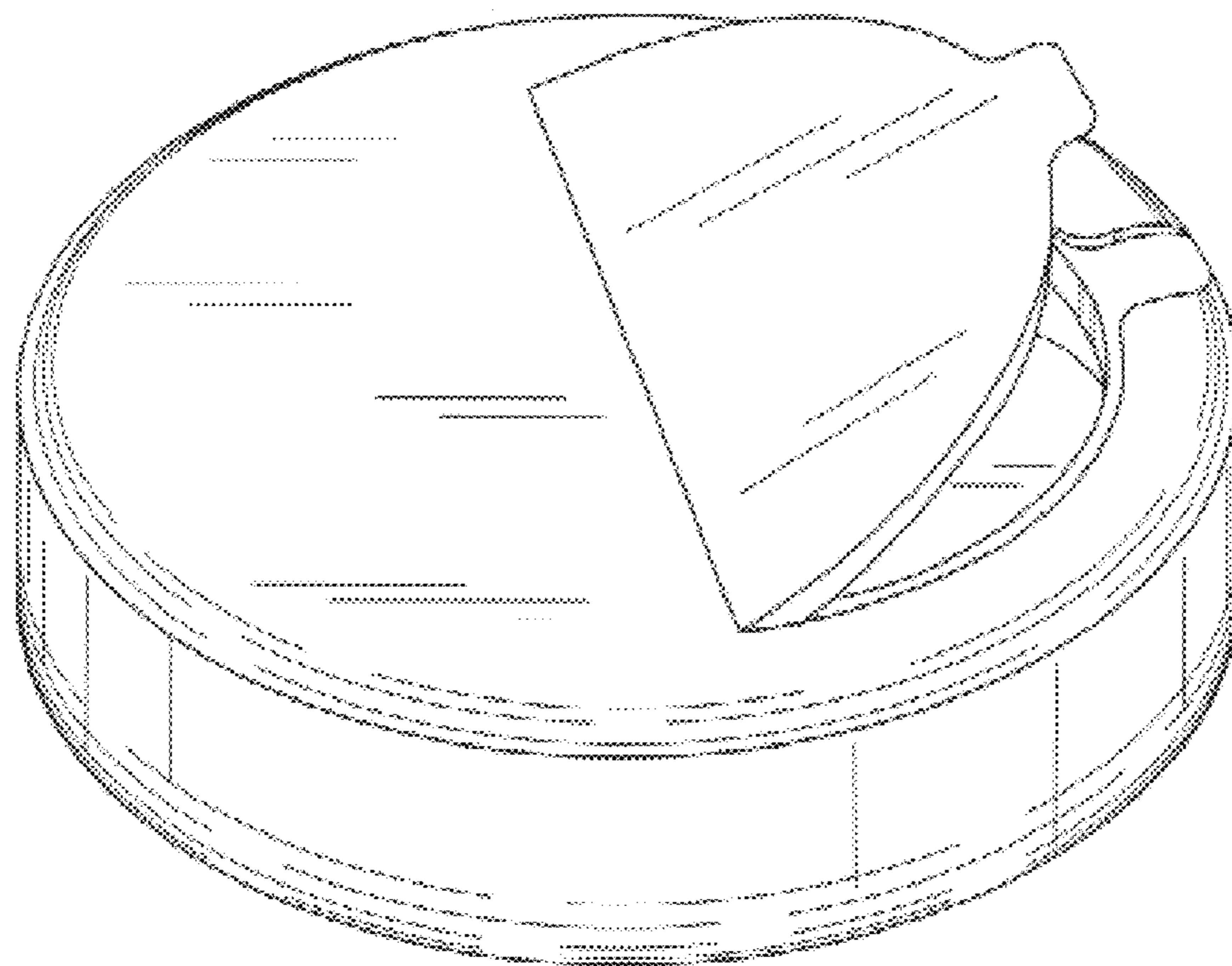


FIG. 3

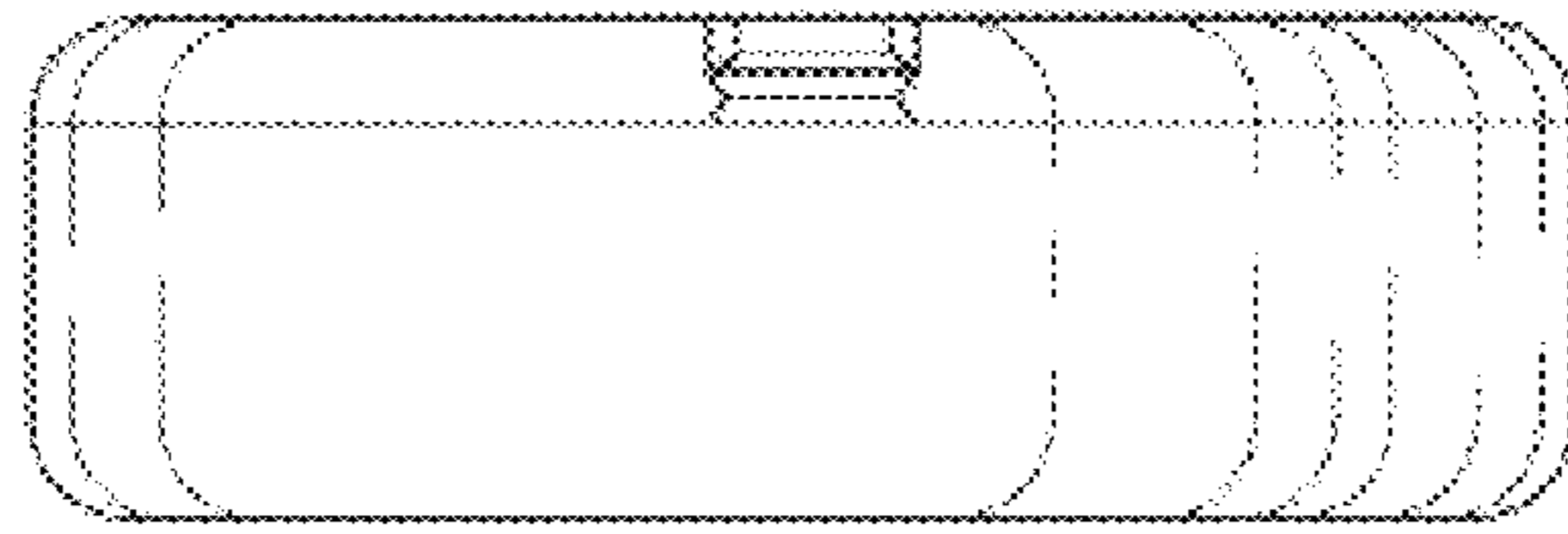


FIG. 4

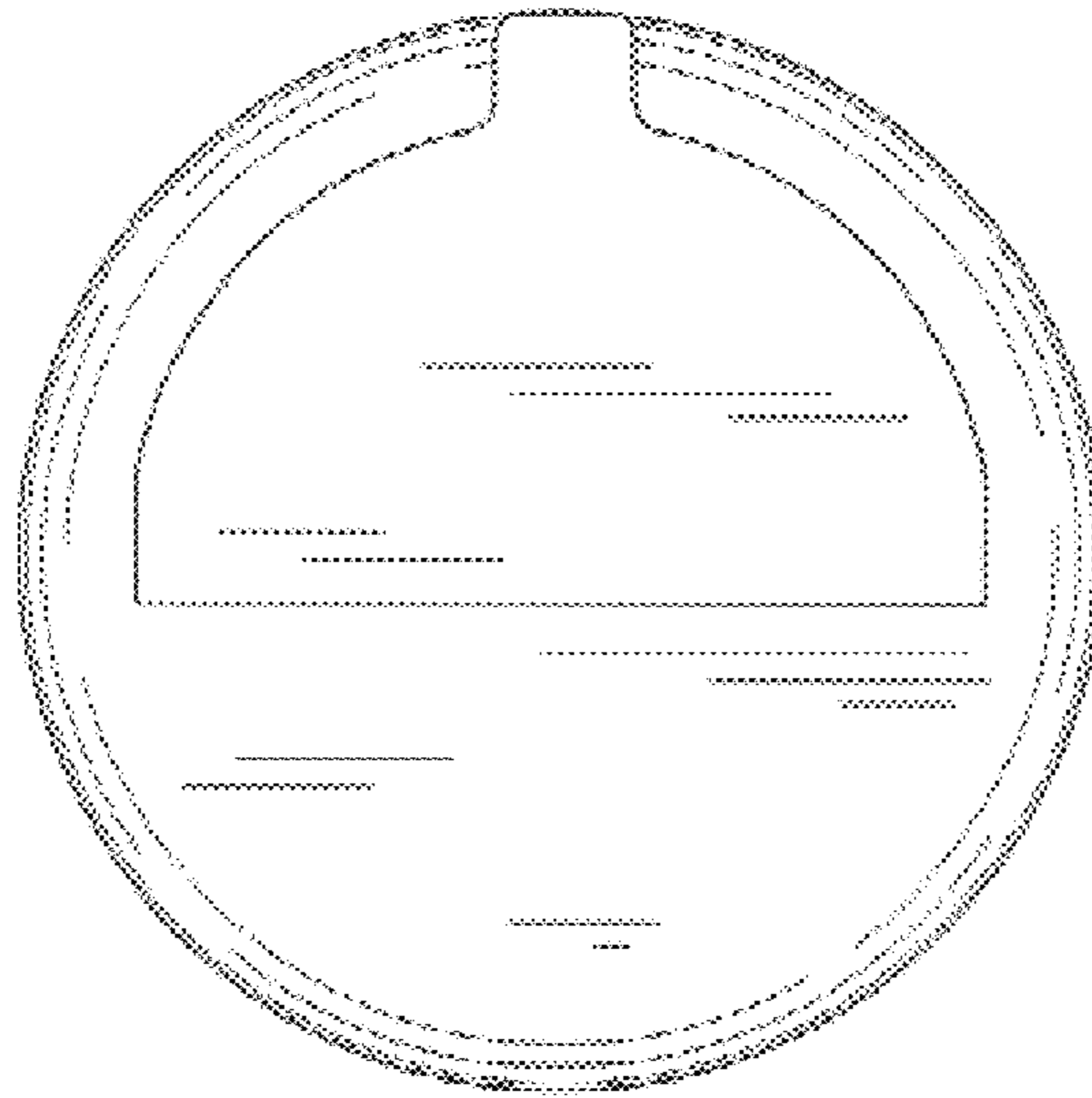


FIG. 5

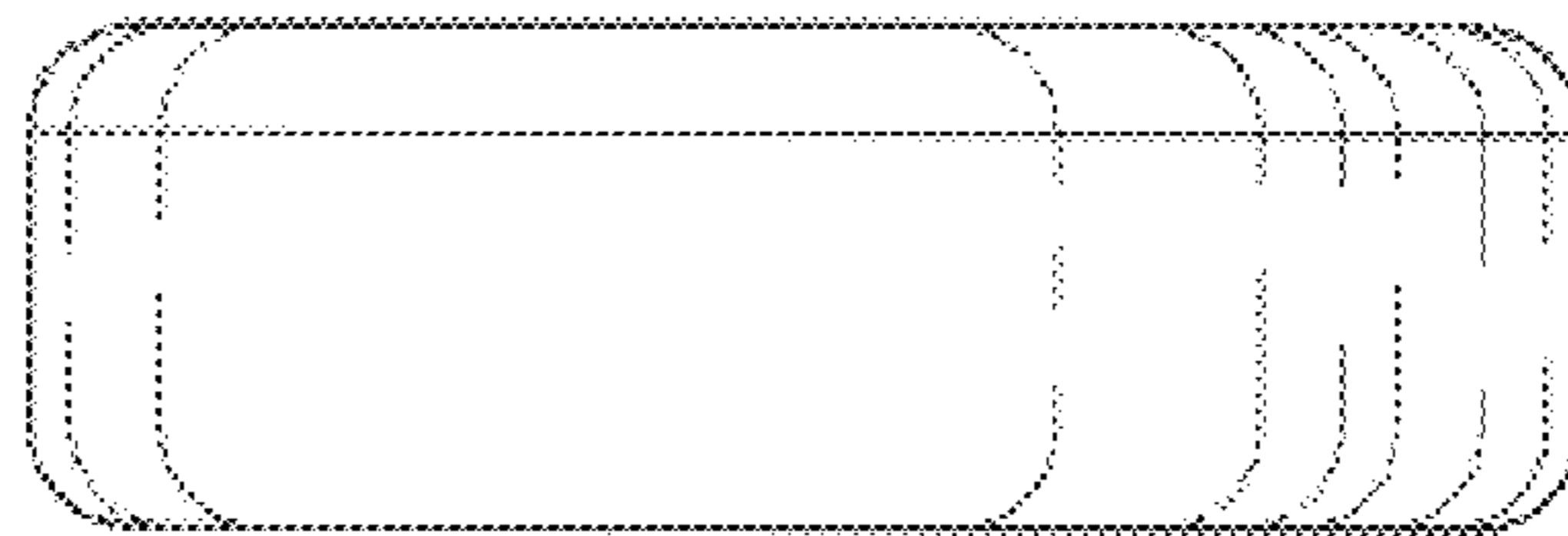


FIG. 6

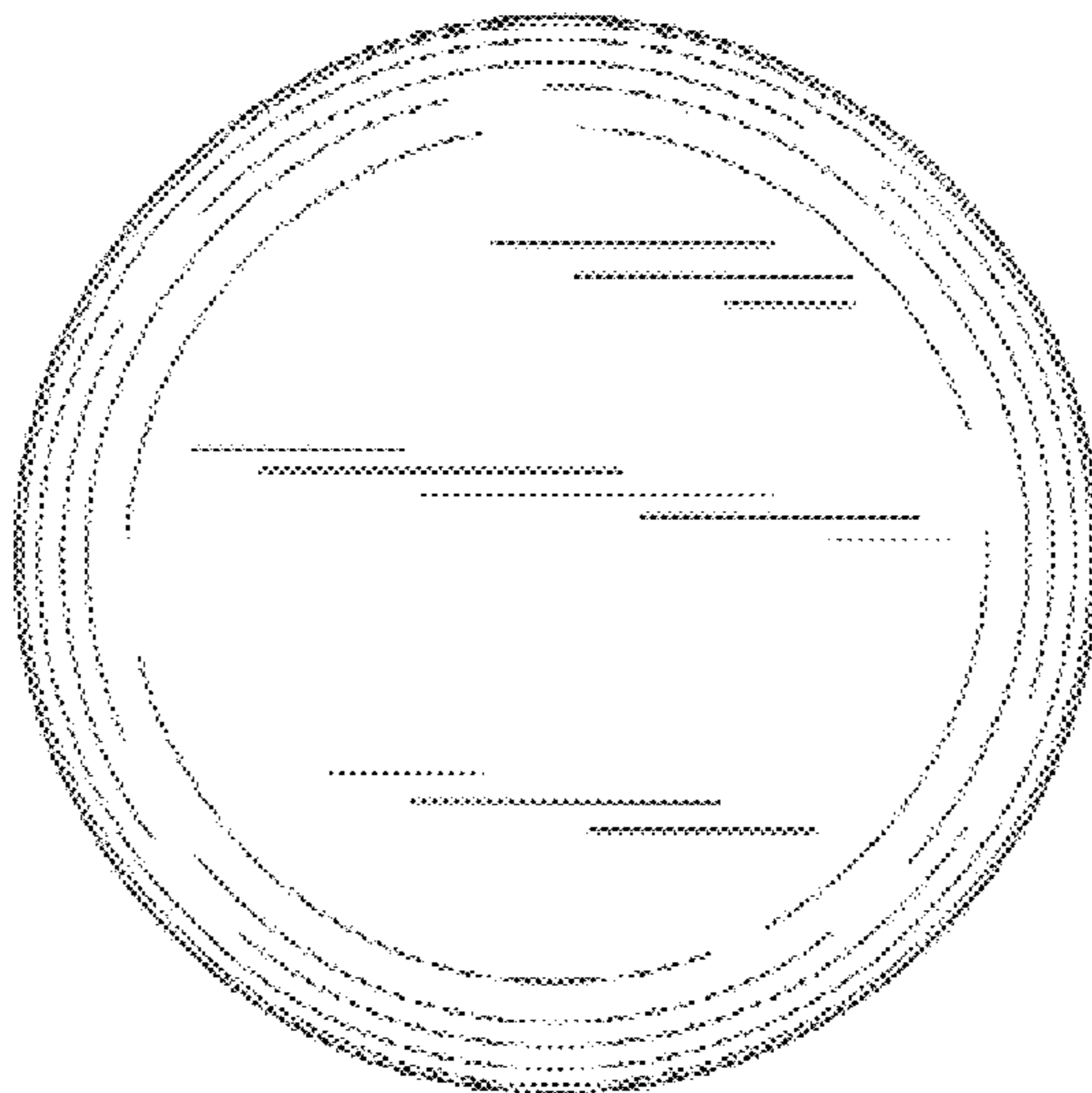


FIG. 7

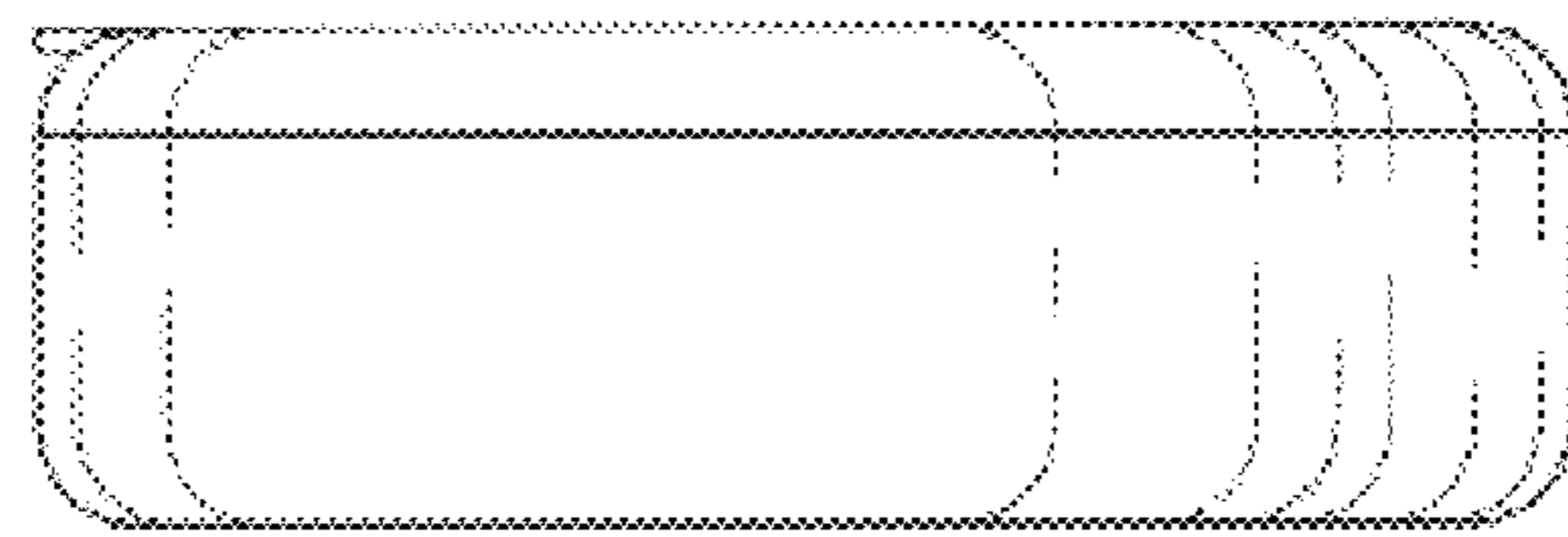


FIG. 8

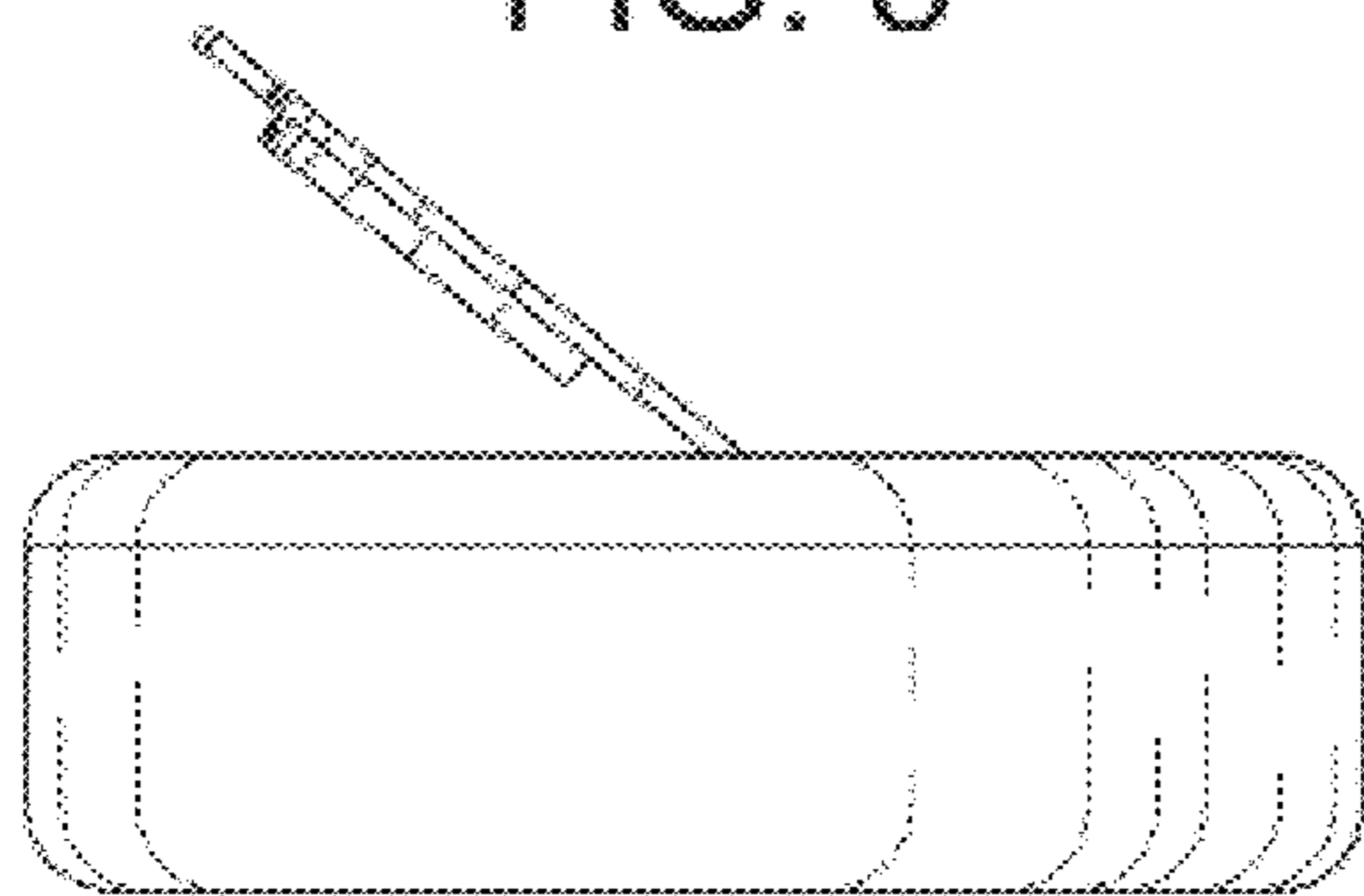


FIG. 9

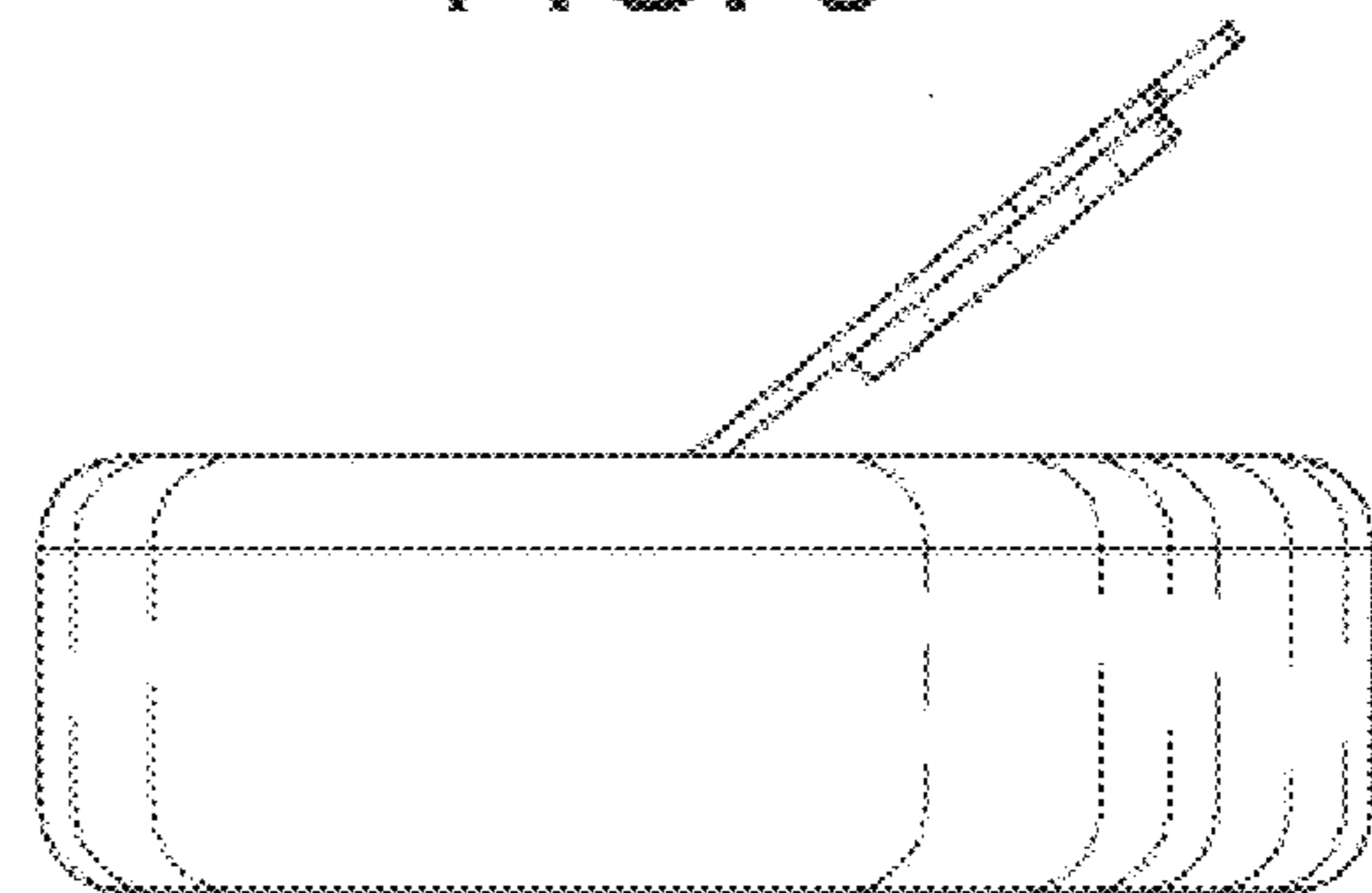


FIG. 10

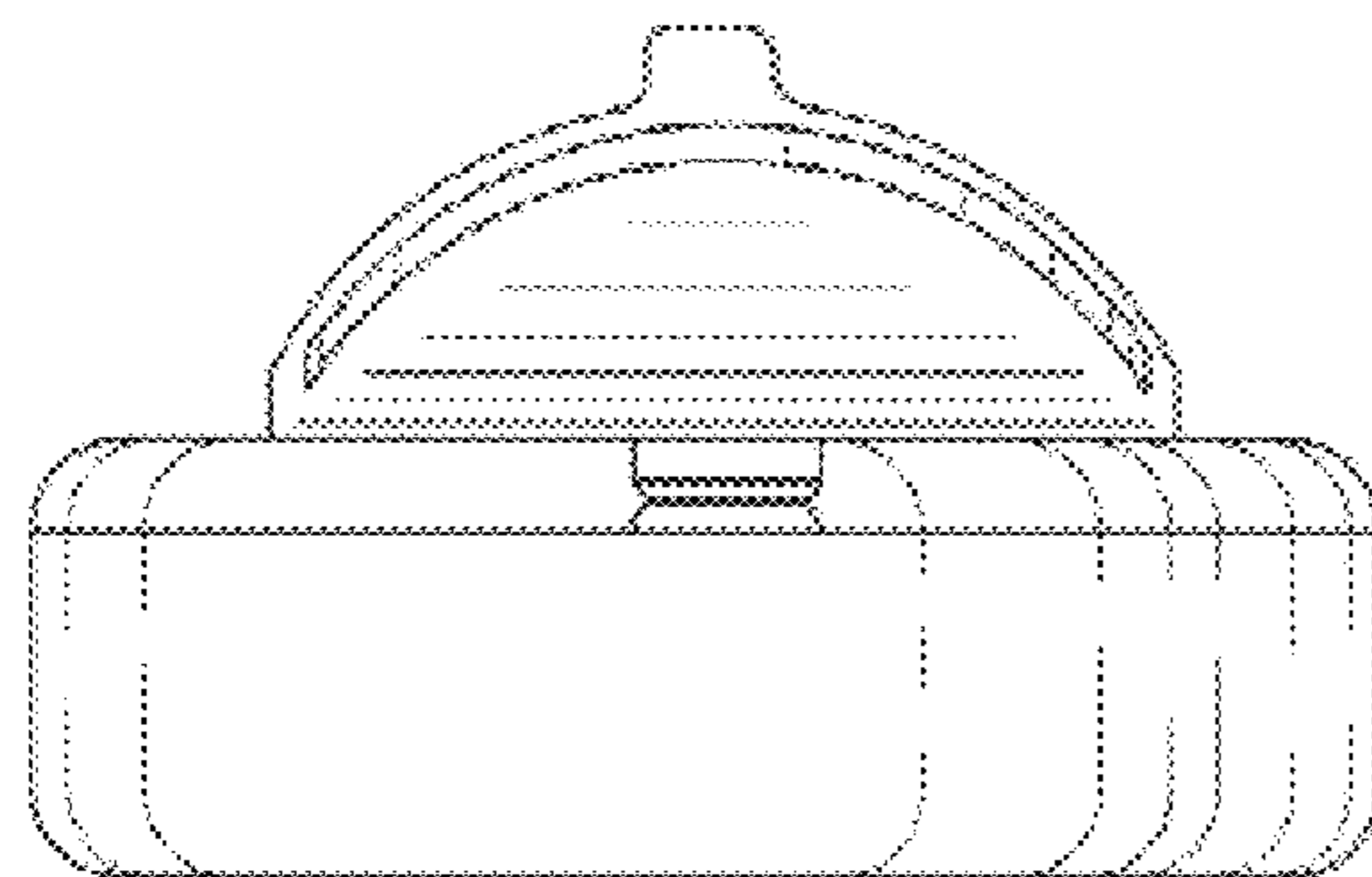


FIG. 11

