



US00D603695S

(12) **United States Design Patent**  
**Stoelting**

(10) **Patent No.:** **US D603,695 S**

(45) **Date of Patent:** **\*\* Nov. 10, 2009**

(54) **PACKAGING FOR BICYCLE BAR GRIPS**

2004/0222118 A1\* 11/2004 Melgaard ..... 206/461  
2009/0145865 A1\* 6/2009 Yu ..... 211/70.6

(75) Inventor: **Dirk Stoelting**, Koblenz (DE)

\* cited by examiner

(73) Assignee: **RTI Sports Vertrieb von Sportartikeln GmbH**, Urmitz (DE)

*Primary Examiner*—Catherine Tuttle  
(74) *Attorney, Agent, or Firm*—Ohlandt, Greeley, Ruggiero & Perle, LLP

(\*\*) Term: **14 Years**

(21) Appl. No.: **29/314,022**

(57) **CLAIM**

(22) Filed: **Feb. 27, 2009**

The ornamental design for packaging for bicycle bar grips, as shown and described.

(30) **Foreign Application Priority Data**

Aug. 29, 2008 (DE) ..... 40 2008 004 211

**DESCRIPTION**

(51) **LOC (9) Cl.** ..... **09-03**

FIG. 1 is a perspective view showing a first embodiment of my new design for a packaging for bicycle bar grips;

(52) **U.S. Cl.** ..... **D9/415**

FIG. 2 is a front view of the packaging for bicycle bar grips of FIG. 1;

(58) **Field of Classification Search** ..... D9/715,  
D9/718, 722, 414-434, 457; D6/315, 320,  
D6/327, 512, 523, 546, 549, 552, 553; D8/349,  
D8/354, 356, 363, 373; 206/303, 446, 493,  
206/806, 461-471; 211/13.1, 85.7, 60.1,  
211/113, 123; 248/309.1, 309.2, 317

FIG. 3 is a rear view of the packaging for bicycle bar grips of FIG. 1;

FIG. 4 is a top view of the packaging for bicycle bar grips of FIG. 1;

See application file for complete search history.

FIG. 5 is a bottom view of the packaging for bicycle bar grips of FIG. 1;

(56) **References Cited**

**U.S. PATENT DOCUMENTS**

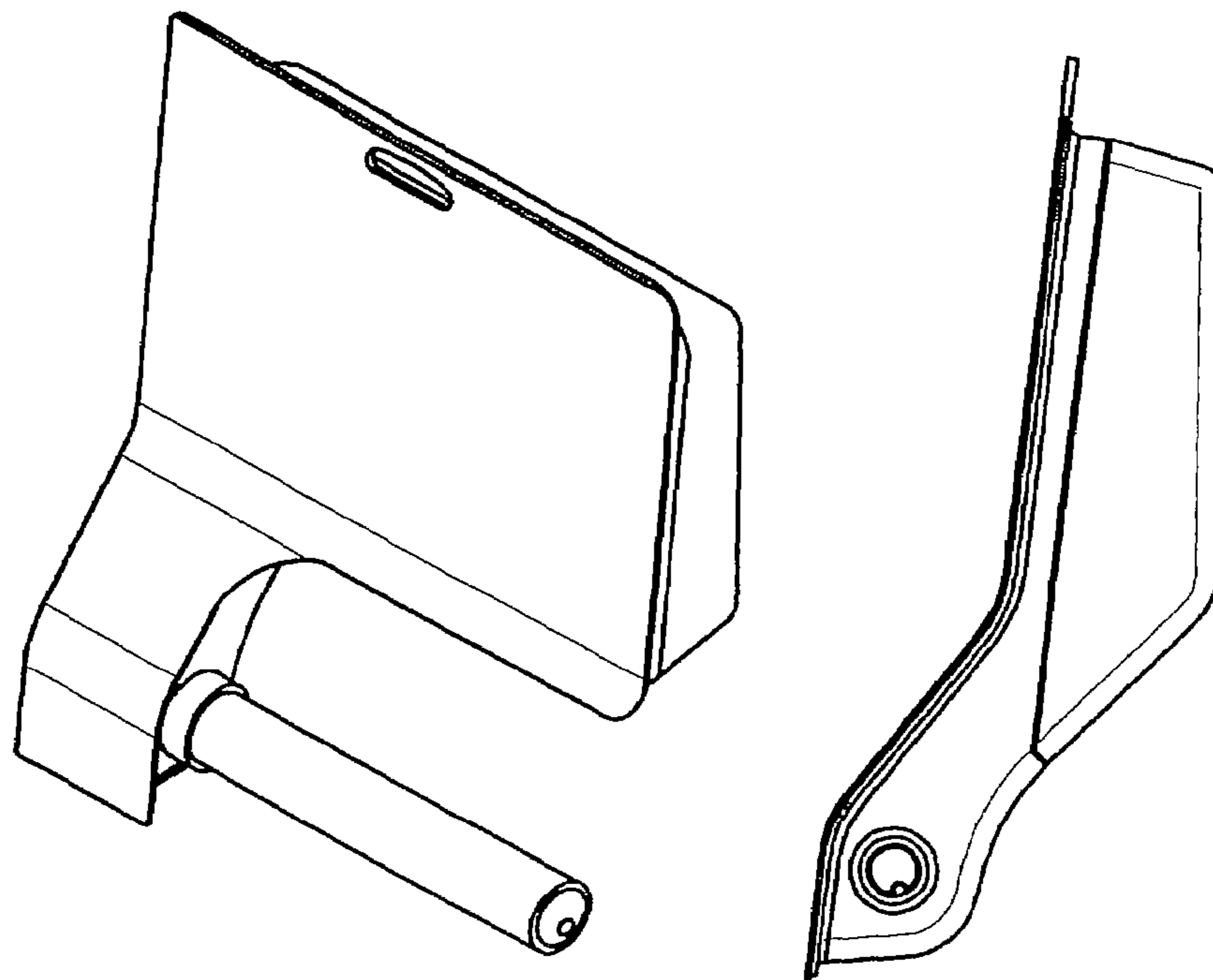
5,649,621 A \* 7/1997 Brody ..... 206/349  
6,092,656 A \* 7/2000 Ernst ..... 206/378  
6,202,842 B1 \* 3/2001 Pirro et al. .... 206/349  
6,241,208 B1 \* 6/2001 Lin ..... 248/309.1  
D486,681 S \* 2/2004 Hoernig ..... D6/523  
D520,279 S \* 5/2006 Ferrer Beltran ..... D6/523  
2004/0035731 A1\* 2/2004 Lee ..... 206/349

FIG. 6 is a first side view of the packaging for bicycle bar grips of FIG. 1; and,

FIG. 7 is a second, opposite side view of the packaging for bicycle bar grips of FIG. 1.

The claimed design includes a second embodiment that is a mirror image of that shown in the drawings.

**1 Claim, 3 Drawing Sheets**



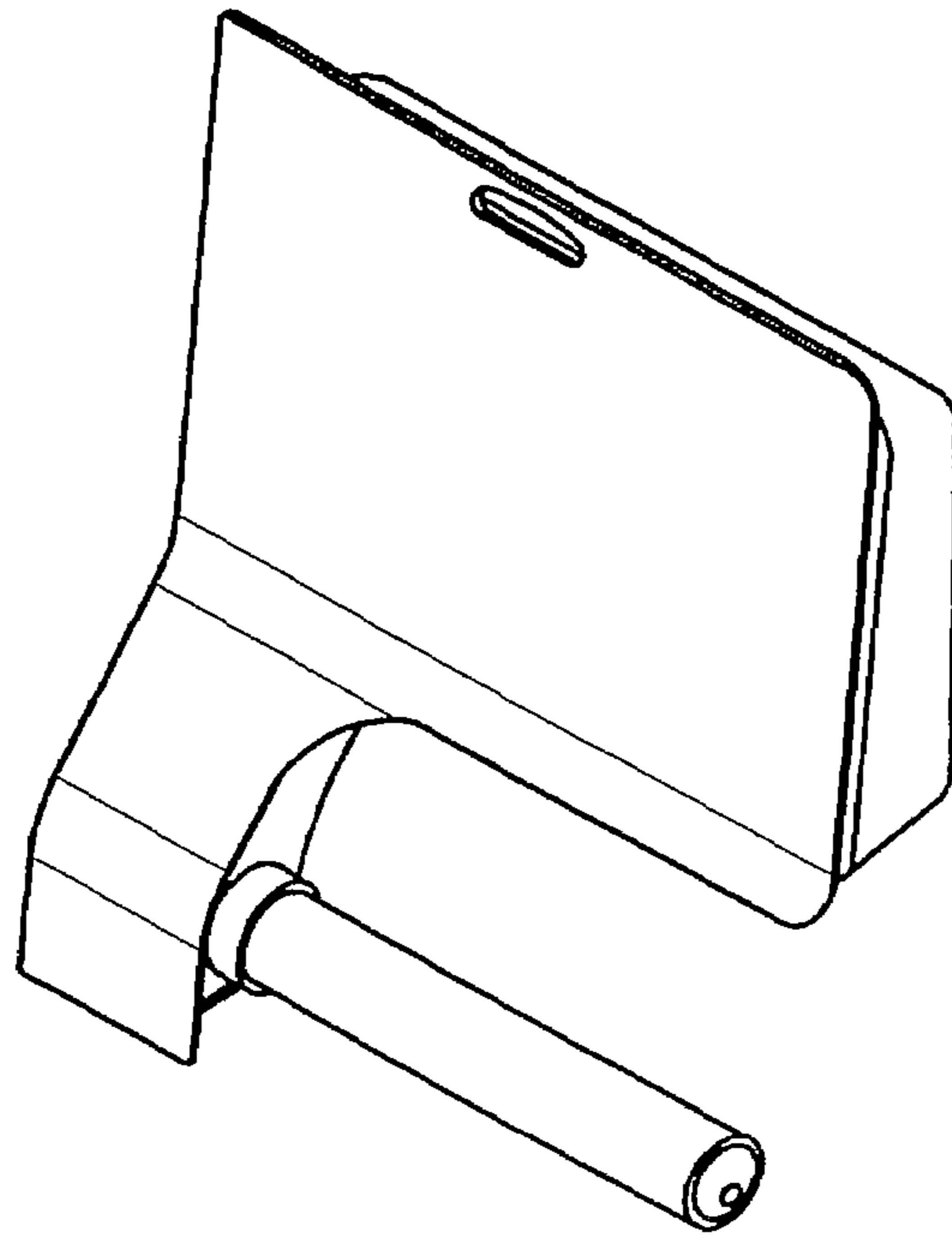


Fig.1

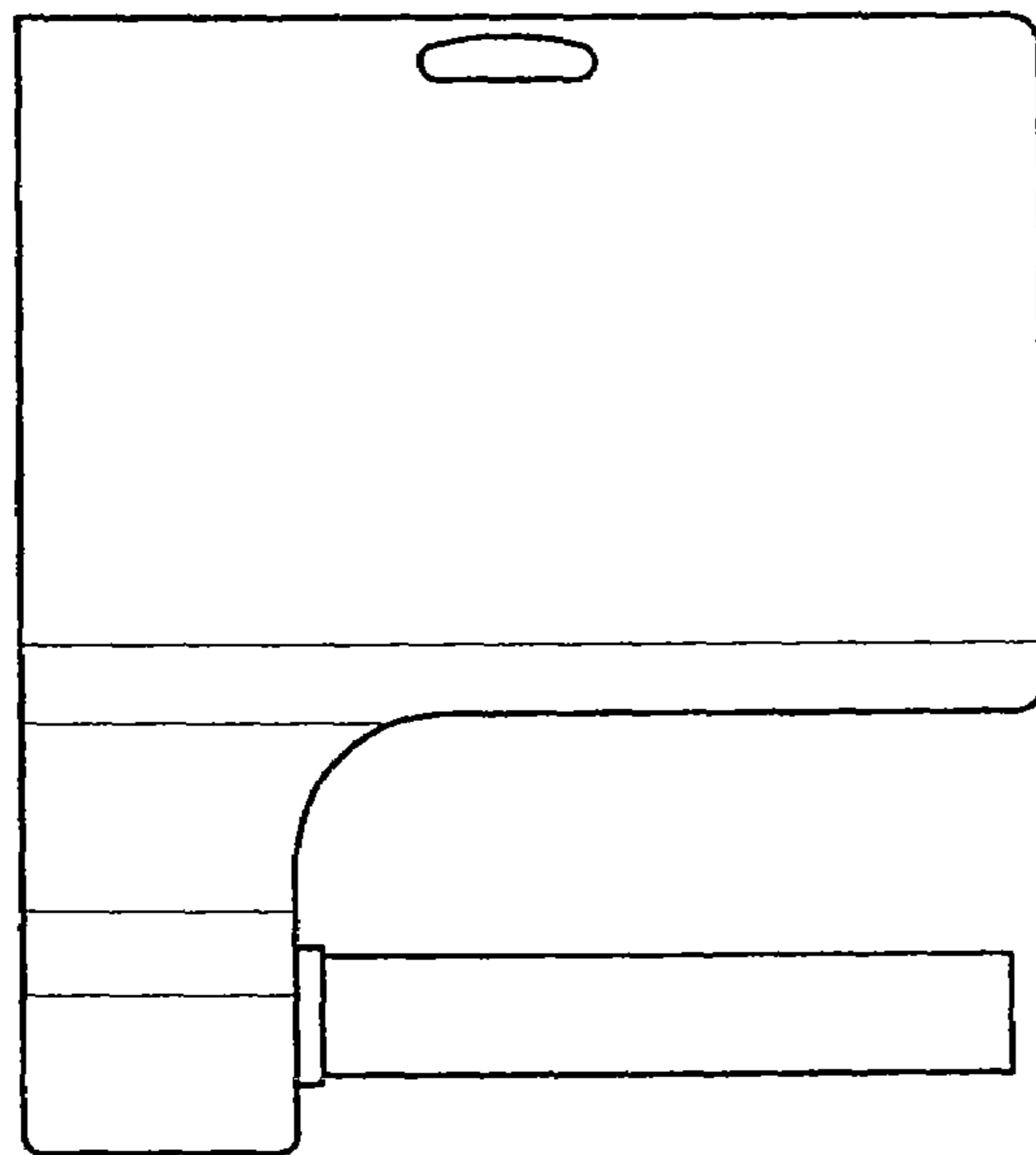


Fig.2

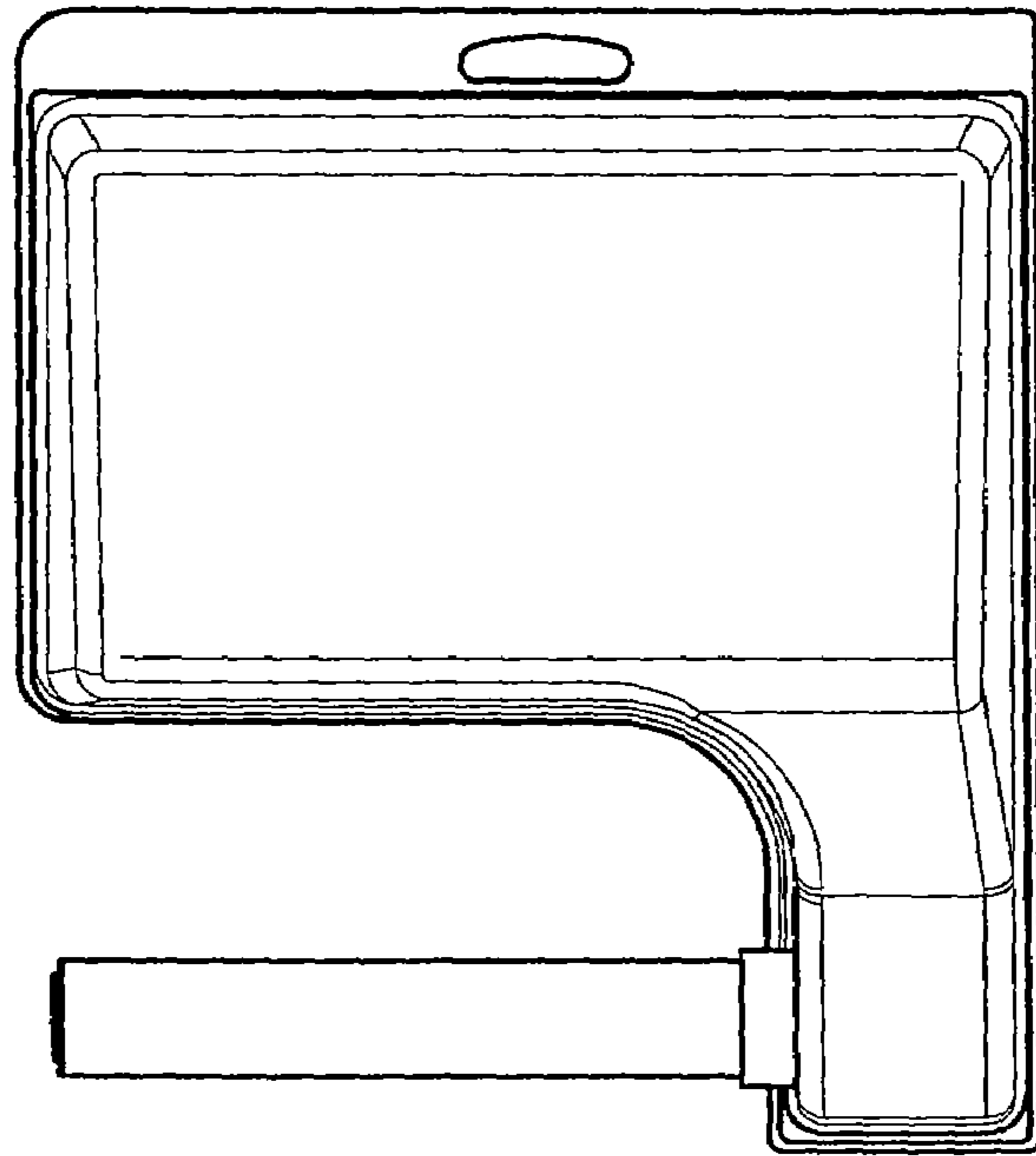


Fig.3

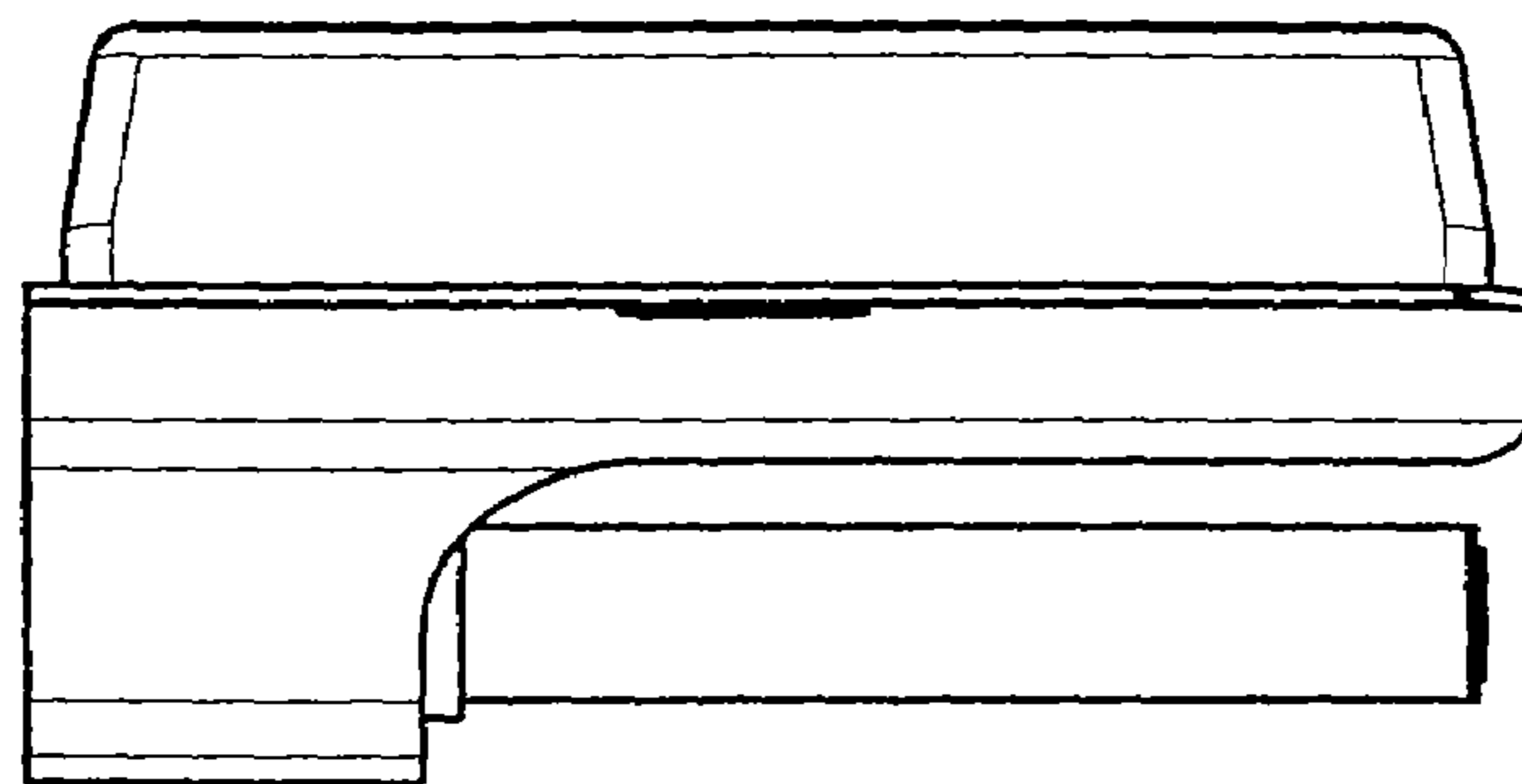


Fig.4

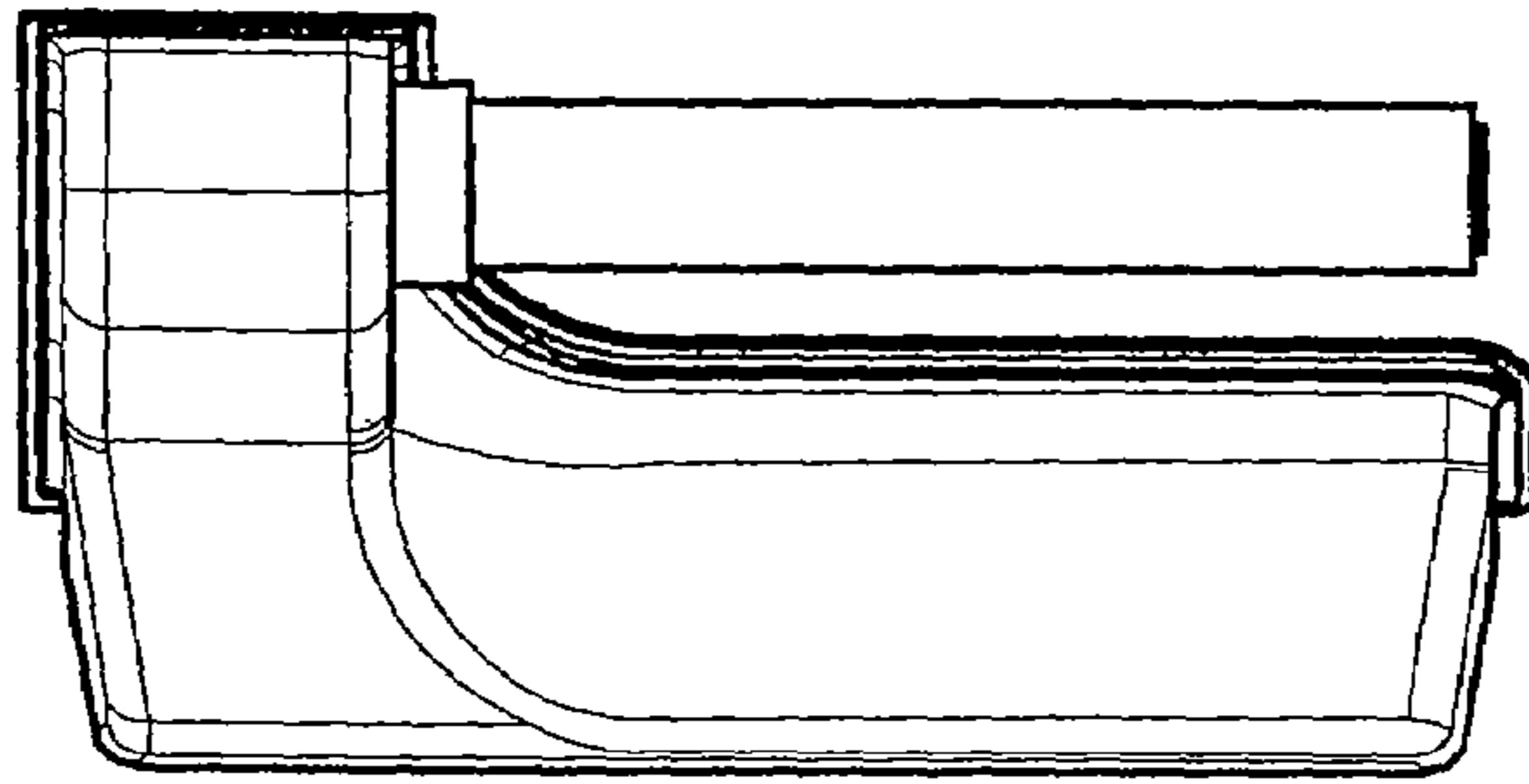


Fig.5

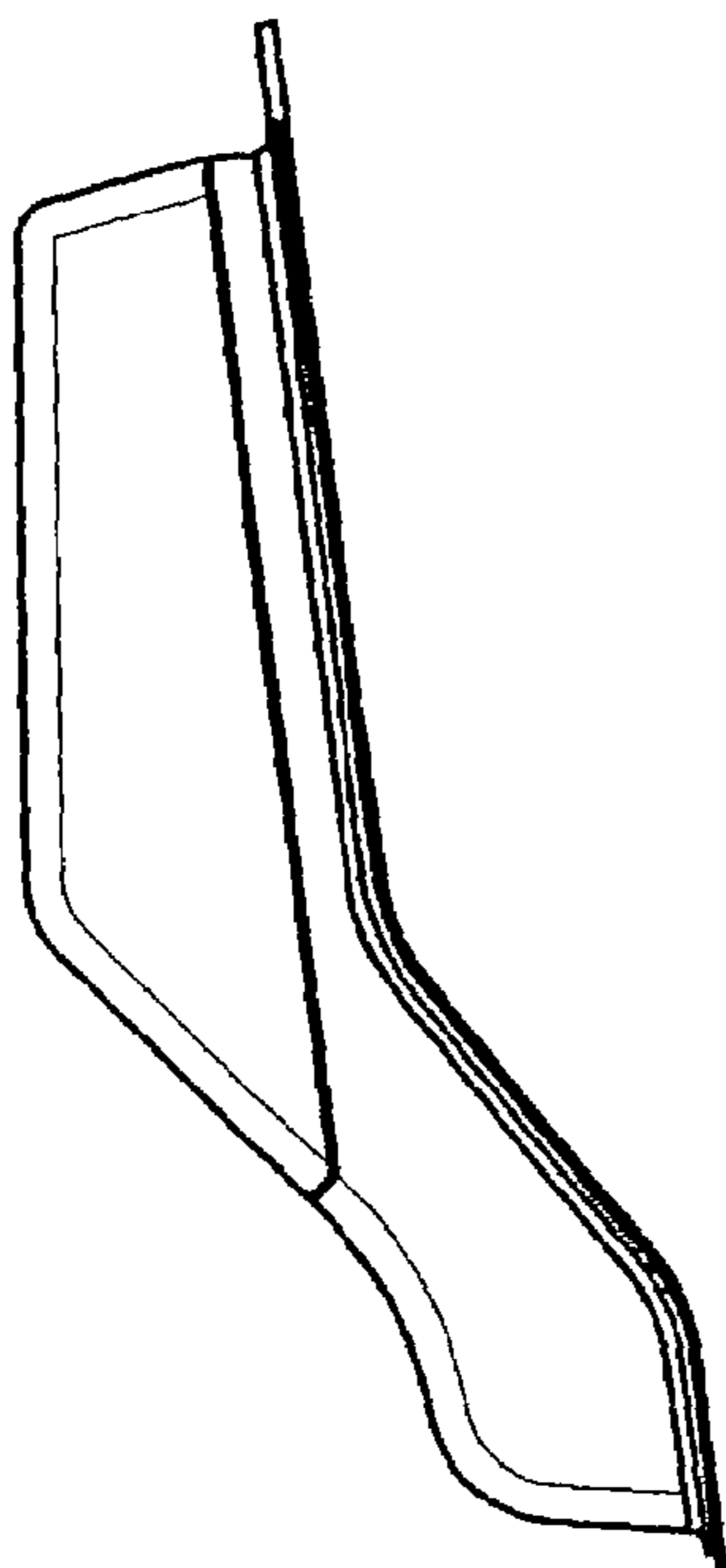


Fig.6

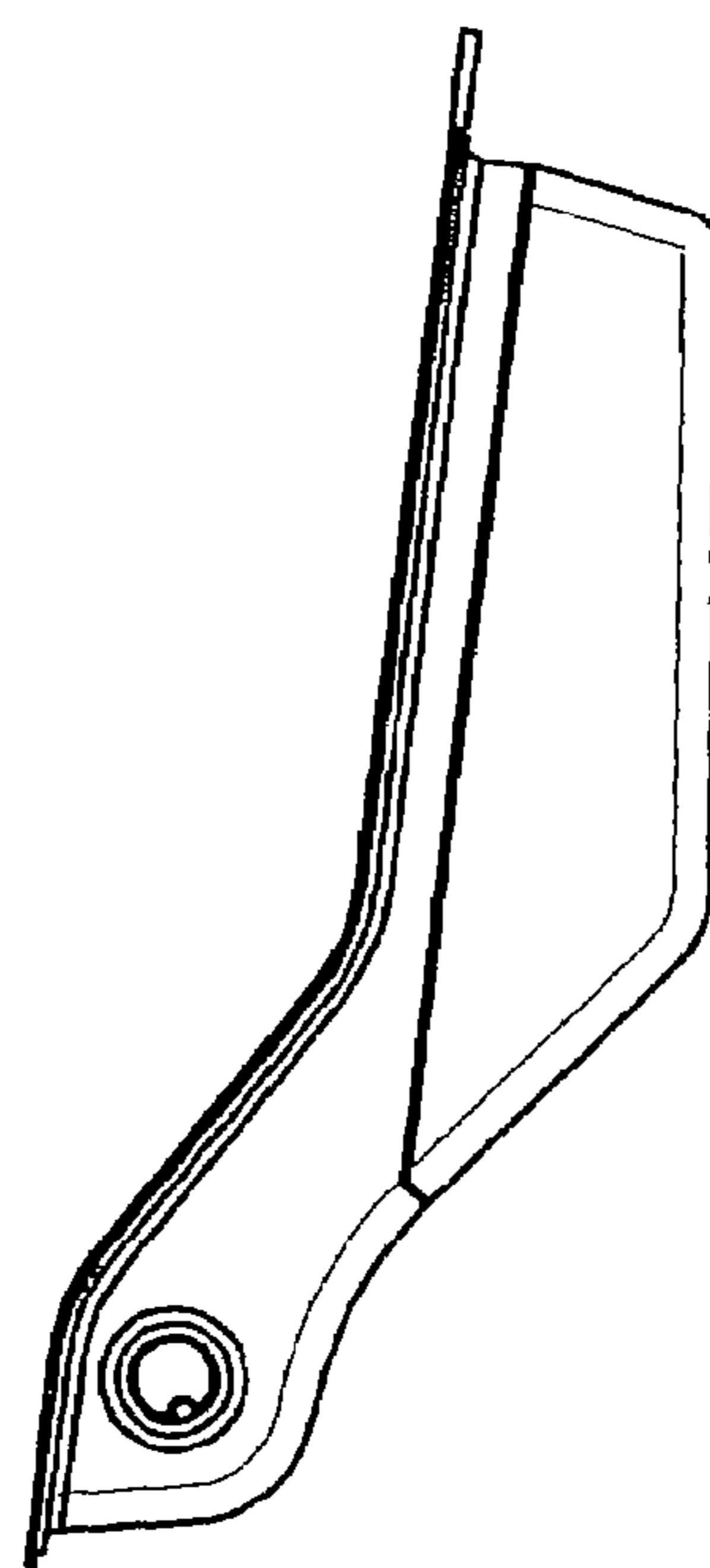


Fig.7