



US00D603694S

(12) **United States Design Patent**
Bushey

(10) **Patent No.:** **US D603,694 S**

(45) **Date of Patent:** **** Nov. 10, 2009**

(54) **DOOR WEDGE**

(76) Inventor: **Richard D. Bushey**, 1596 38th Ave.,
Kenosha, WI (US) 53144

(**) Term: **14 Years**

(21) Appl. No.: **29/324,215**

(22) Filed: **Sep. 9, 2008**

(51) **LOC (9) Cl.** **08-09**

(52) **U.S. Cl.** **D8/402**

(58) **Field of Classification Search** D8/400-499;
16/86 B, 85, 137, 342, 375

See application file for complete search history.

(56) **References Cited**

U.S. PATENT DOCUMENTS

D31,143	S	7/1899	O'Dell	
1,915,249	A *	6/1933	Jorgensen	248/345.1
3,009,172	A *	11/1961	Eidam	5/632
D303,924	S *	10/1989	Klein	D8/403
5,056,836	A *	10/1991	Wells	292/288
D331,696	S *	12/1992	Graham	D8/402
D452,404	S *	12/2001	Cameron	D6/601
D455,644	S *	4/2002	Coffey	D8/402
D463,248	S	9/2002	Rafferty	
7,374,213	B2 *	5/2008	Carlson	292/343
D578,872	S *	10/2008	Healy	D8/402
D588,905	S *	3/2009	Meeks et al.	D8/400
7,506,905	B1 *	3/2009	George	292/343
2006/0032017	A1 *	2/2006	Agster et al.	16/86 R

2008/0010904 A1* 1/2008 Meeks et al. 49/484.1

* cited by examiner

Primary Examiner—Cathron C Brooks

Assistant Examiner—Barbara Fox

(74) *Attorney, Agent, or Firm*—Bogle Fredrickson, S.C.

(57) **CLAIM**

The ornamental design for a door wedge, as shown and described.

DESCRIPTION

FIG. 1 is an isometric view of a door wedge in accordance with the present invention;

FIG. 2 is a side elevational view of a first side of the door wedge of FIG. 1;

FIG. 3 is a top plan view of the door wedge of FIG. 1;

FIG. 4 is a side elevational view of the door wedge of FIG. 1;

FIG. 5 is a bottom plan view of the door wedge of FIG. 1;

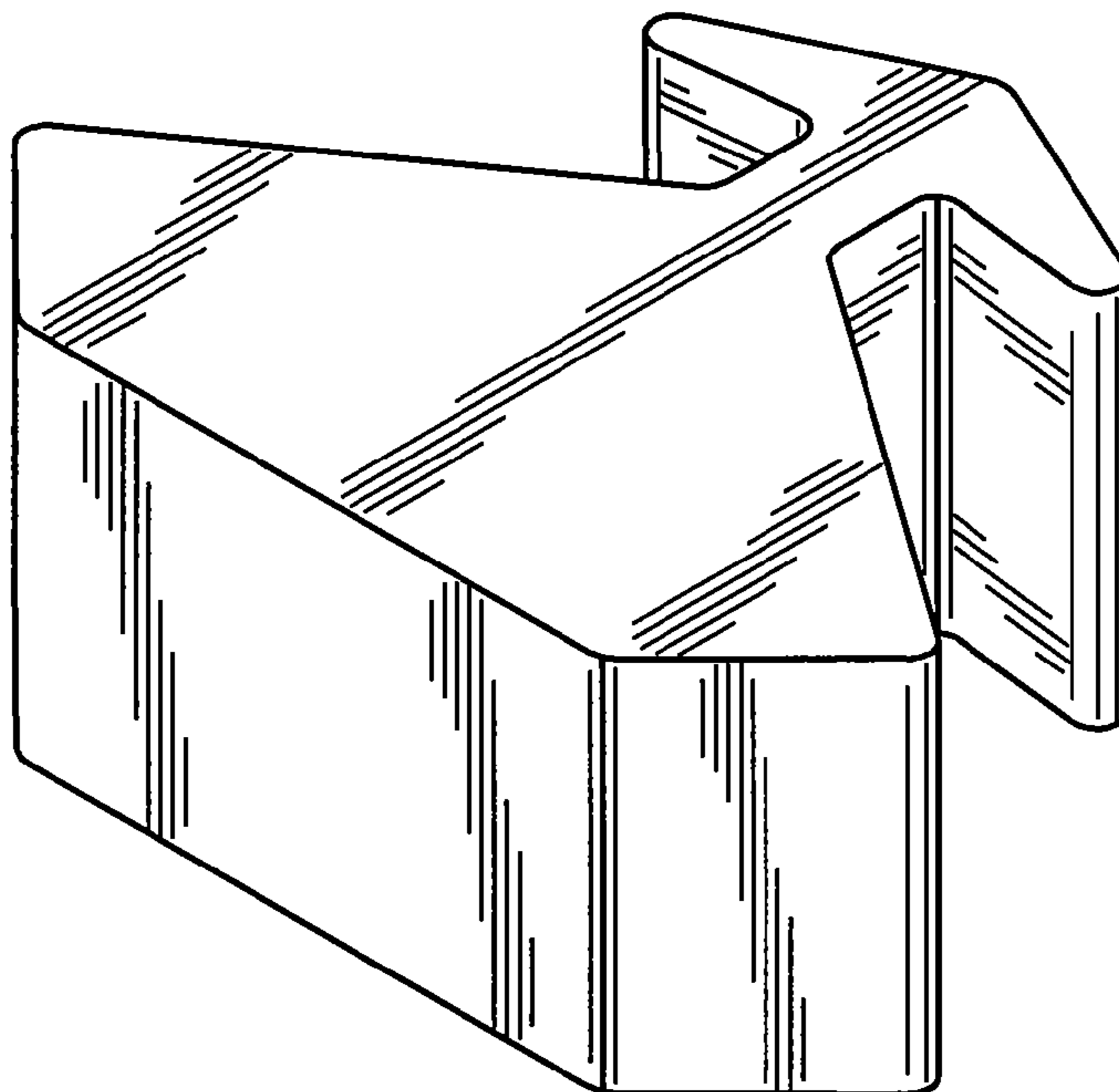
FIG. 6 is an isometric view showing the door wedge of the present invention mounted within a conventional door frame;

FIG. 7 is an enlarged, isometric view of the door wedge of FIG. 6; and,

FIG. 8 is an enlarged isometric view showing the door wedge of the present invention mounted within an alternate door frame.

In the drawings, the broken line showing of a door, door frame, hinge and door hardware depicts environmental subject matter and forms no part of the claim.

1 Claim, 4 Drawing Sheets



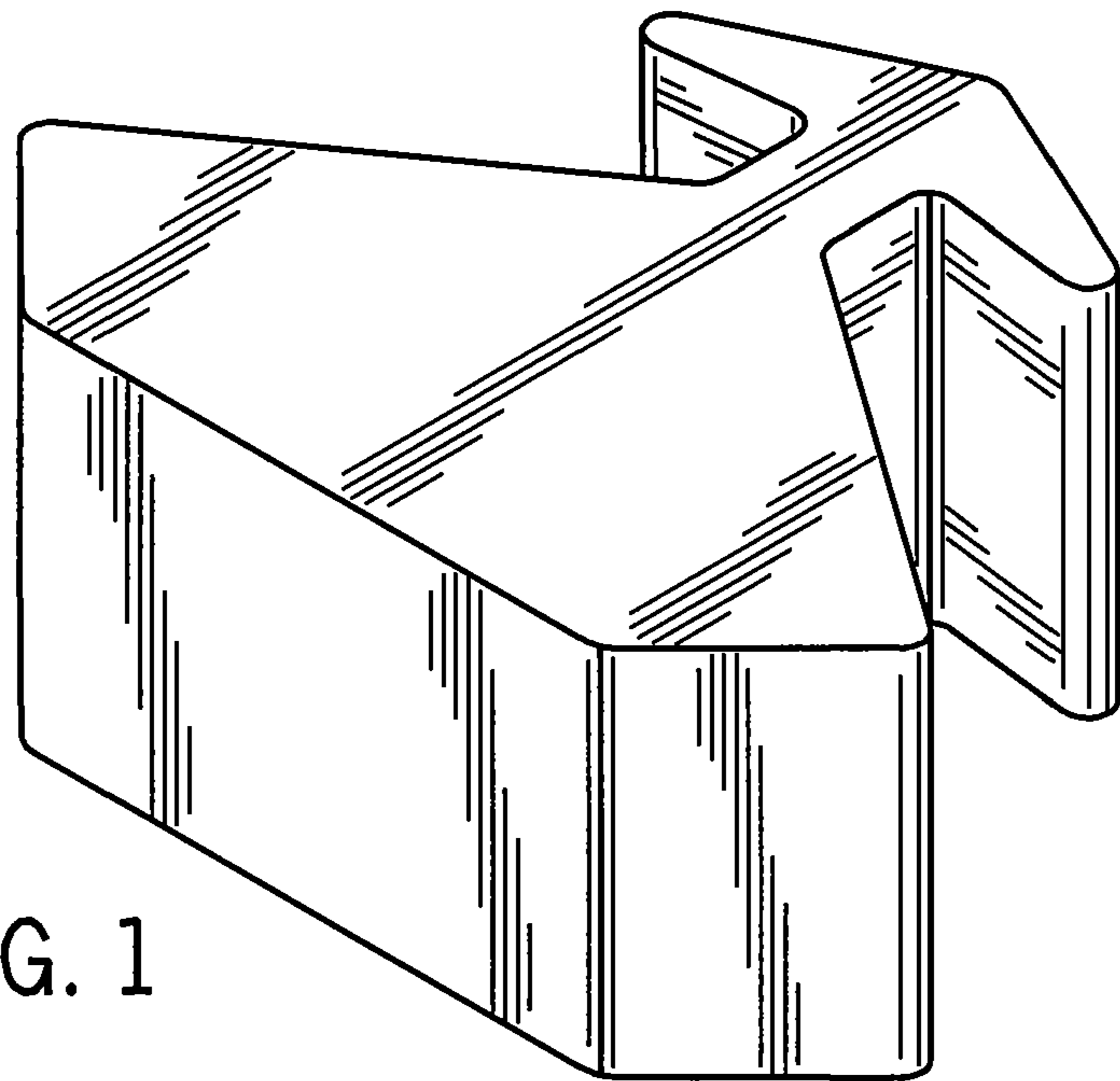


FIG. 1

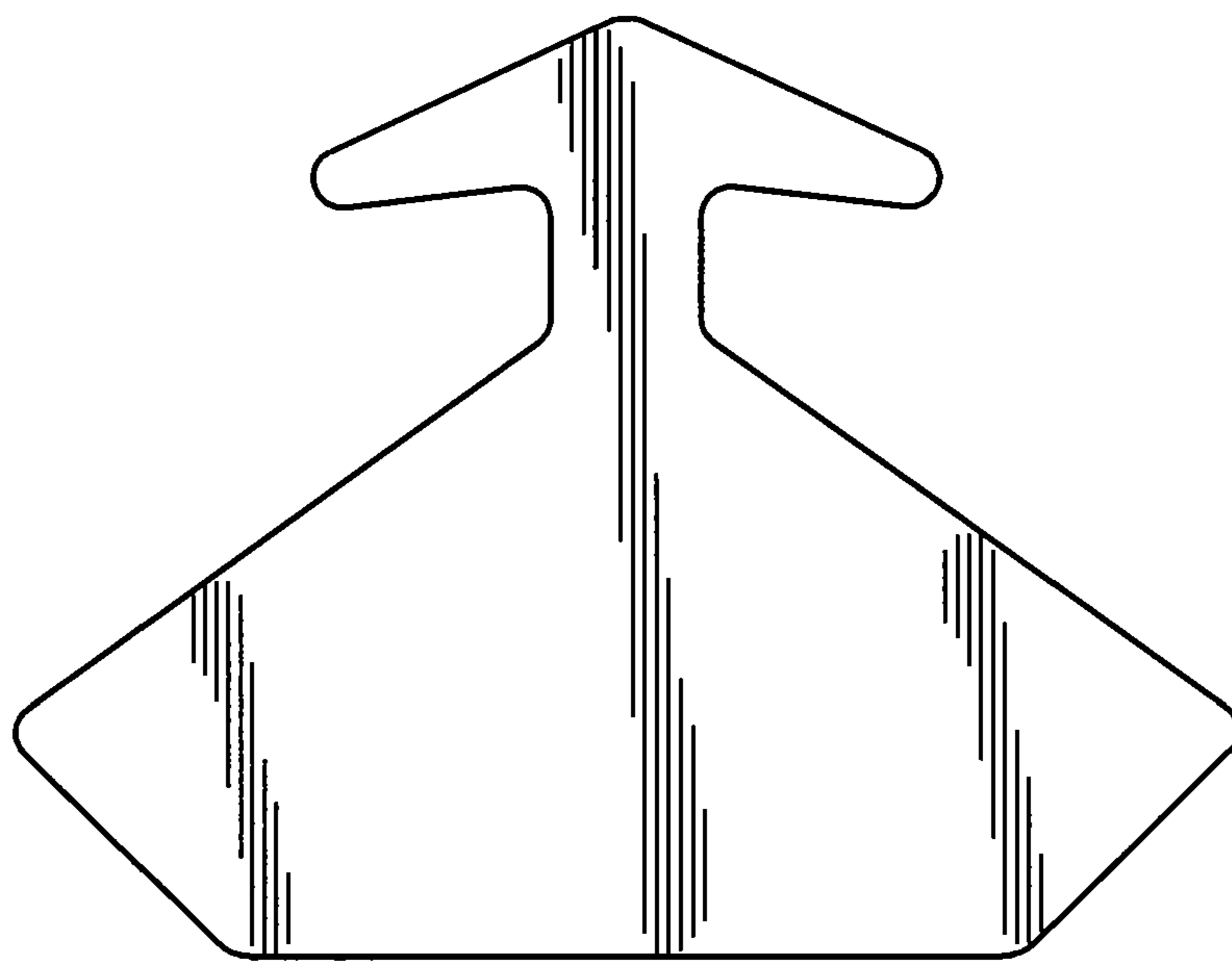


FIG. 2

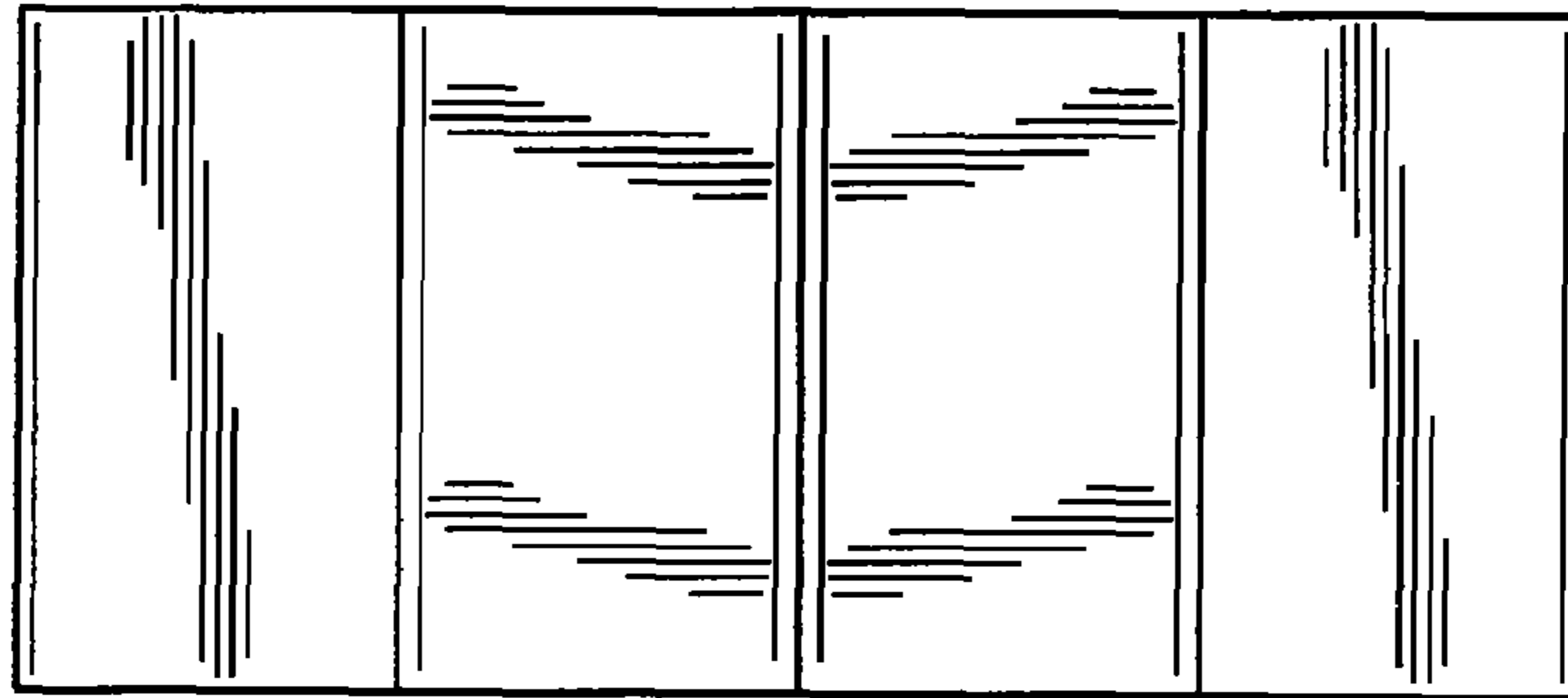


FIG. 3

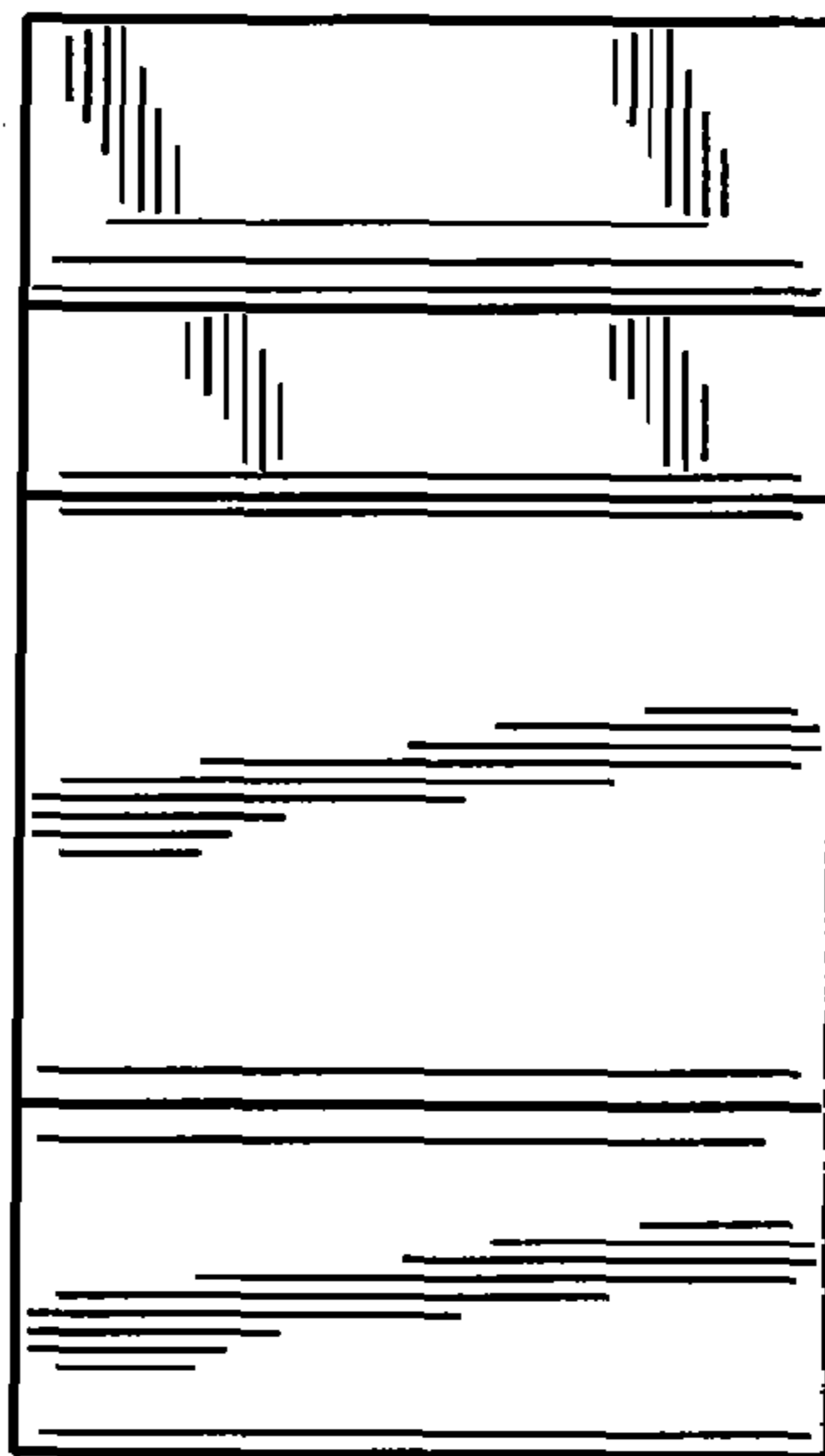


FIG. 4

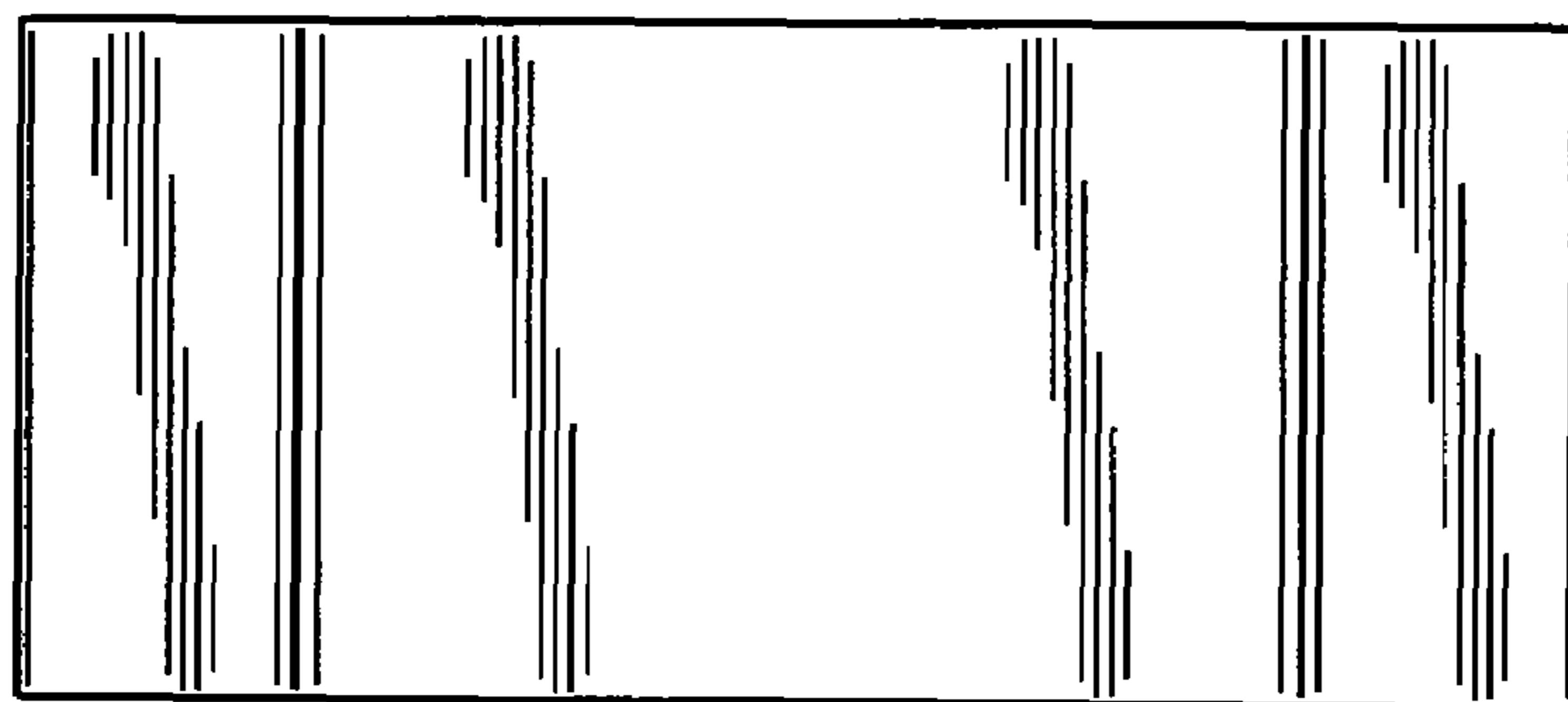


FIG. 5

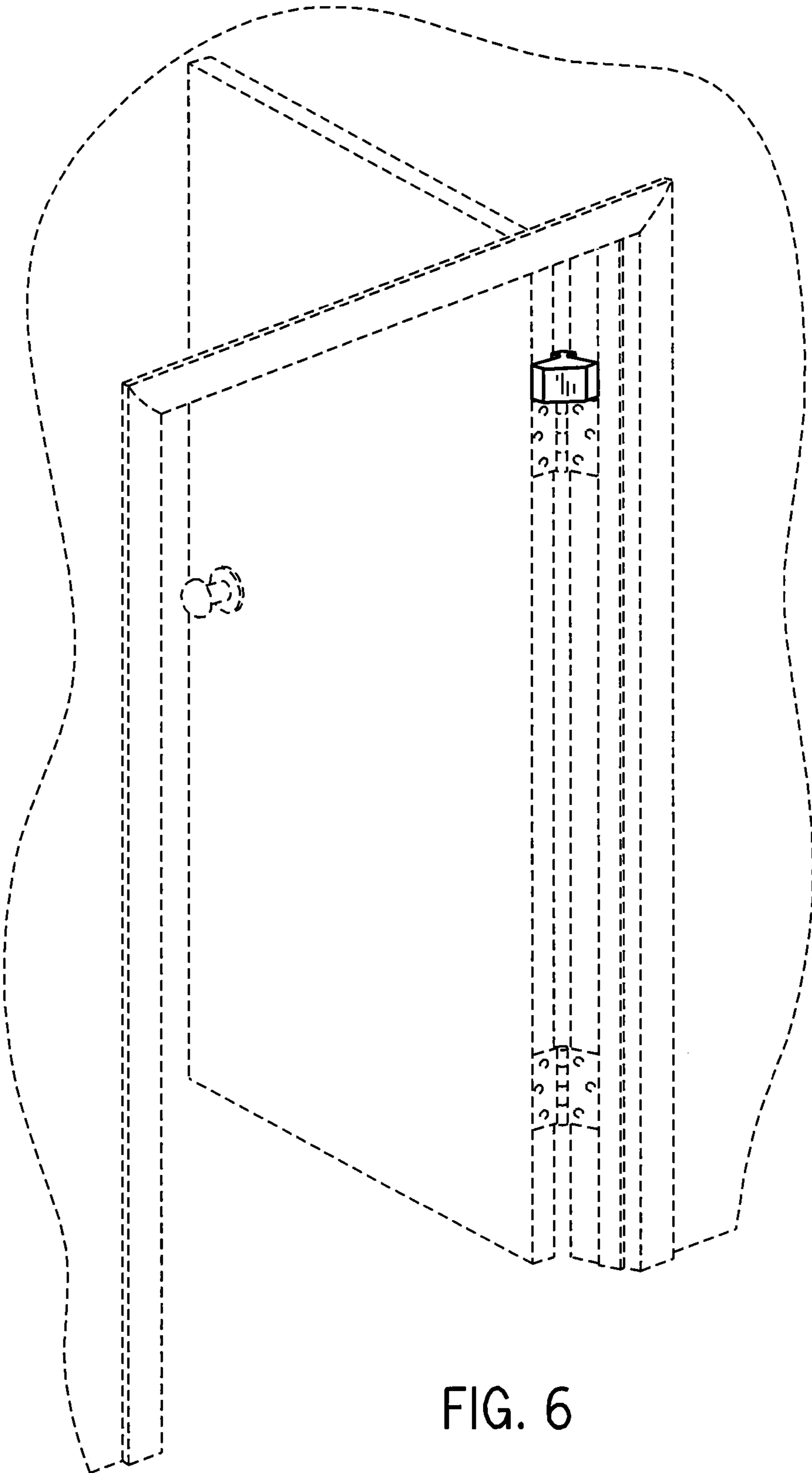


FIG. 6

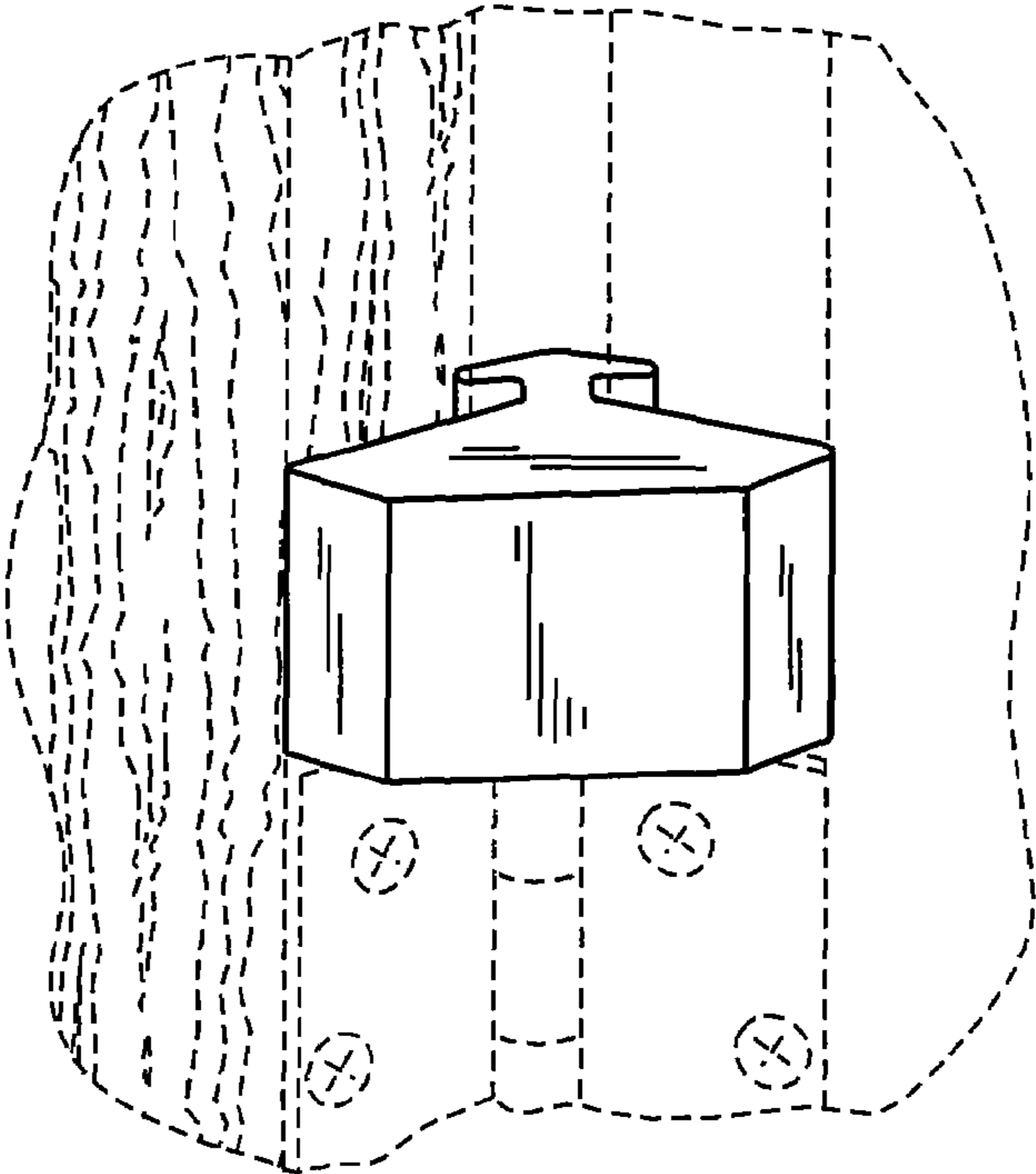


FIG. 7

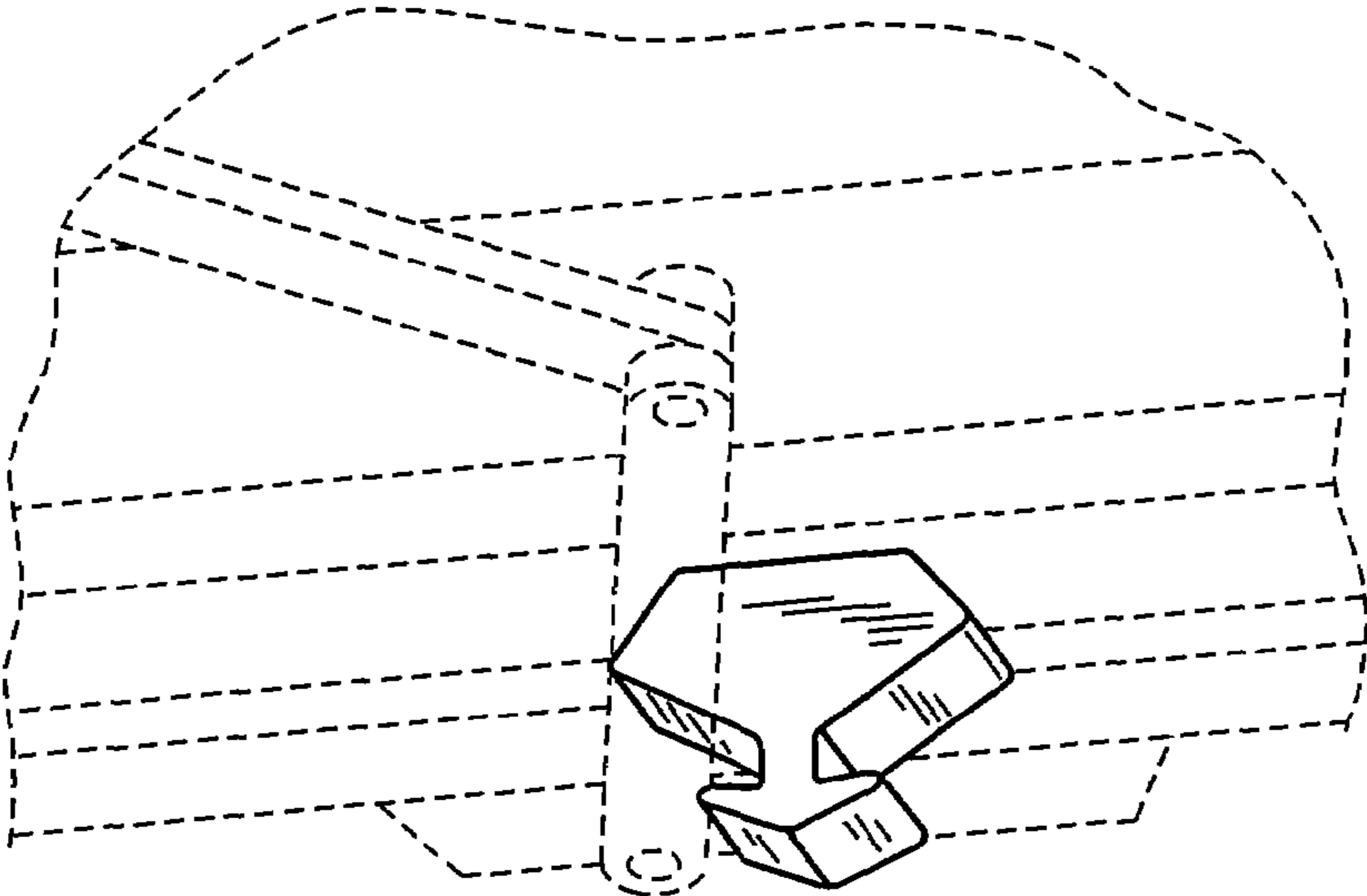


FIG. 8