



US00D603692S

(12) **United States Design Patent**  
**Boyd**

(10) **Patent No.:** **US D603,692 S**  
(45) **Date of Patent:** **\*\* Nov. 10, 2009**

(54) **CEILING TILE EDGE SUPPORT CLIP**

(75) Inventor: **Alan L. Boyd**, Collegetown, PA (US)

(73) Assignee: **CertainTeed Corporation**, Valley Forge, PA (US)

(\*\*) Term: **14 Years**

(21) Appl. No.: **29/324,549**

(22) Filed: **Sep. 15, 2008**

(51) **LOC (9) Cl.** ..... **08-08**

(52) **U.S. Cl.** ..... **D8/395**

(58) **Field of Classification Search** ..... D8/356,  
D8/371, 394-396; 24/570; 248/74.2, 215,  
248/227.1, 49, 300, 301, 316.7, 51, 489;  
D19/65, 56; D25/58; 52/489.1, 489.2, 715,  
52/DIG. 6, 288.1, 716.6, 718.04, 506.07

See application file for complete search history.

(56) **References Cited**

**U.S. PATENT DOCUMENTS**

1,974,819	A *	9/1934	Koerner	52/765
D116,438	S *	8/1939	Wright	D8/395
2,831,222	A *	4/1958	Anderson	52/489.1
3,187,389	A *	6/1965	Anderson	52/489.1
3,298,646	A *	1/1967	Van Buren, Jr.	248/72
3,537,698	A *	11/1970	Callanan	269/98
3,784,144	A *	1/1974	Ollinger et al.	248/317
4,281,494	A *	8/1981	Weinar	52/489.2
4,314,433	A *	2/1982	Hulcombe	52/521
D286,976	S *	12/1986	Steck et al.	D8/394
4,742,662	A	5/1988	Smith	
D296,186	S *	6/1988	Korn	D8/346
5,588,166	A *	12/1996	Burnett	5/503.1
D400,718	S *	11/1998	Bortolus	D6/328
5,836,127	A	11/1998	Clark et al.	

(Continued)

**FOREIGN PATENT DOCUMENTS**

EP 0 344 164 B1 12/1994

EP	0 555 193 B1	6/1996
EP	1 154 089 A1	11/2001
EP	1 154 088 A3	12/2001
EP	1 154 088 B1	9/2005
EP	1 154 089 B1	9/2007
WO	WO 01/27403 A1	4/2001
WO	WO 02/35030 A1	2/2002
WO	WO 2005/083192 A1	9/2005

**OTHER PUBLICATIONS**

Ecophon, Focus Frost Ds™, undated, pp. 1-6.

(Continued)

*Primary Examiner*—T. Chase Nelson

*Assistant Examiner*—John Windmuller

(74) *Attorney, Agent, or Firm*—Duane Morris

(57) **CLAIM**

The ornamental design for a ceiling tile edge support clip, as shown and described.

**DESCRIPTION**

FIG. 1 is a front top perspective view of a ceiling tile edge support clip showing my original design;

FIG. 2 is a rear bottom perspective view of the ceiling tile edge support clip of FIG. 1;

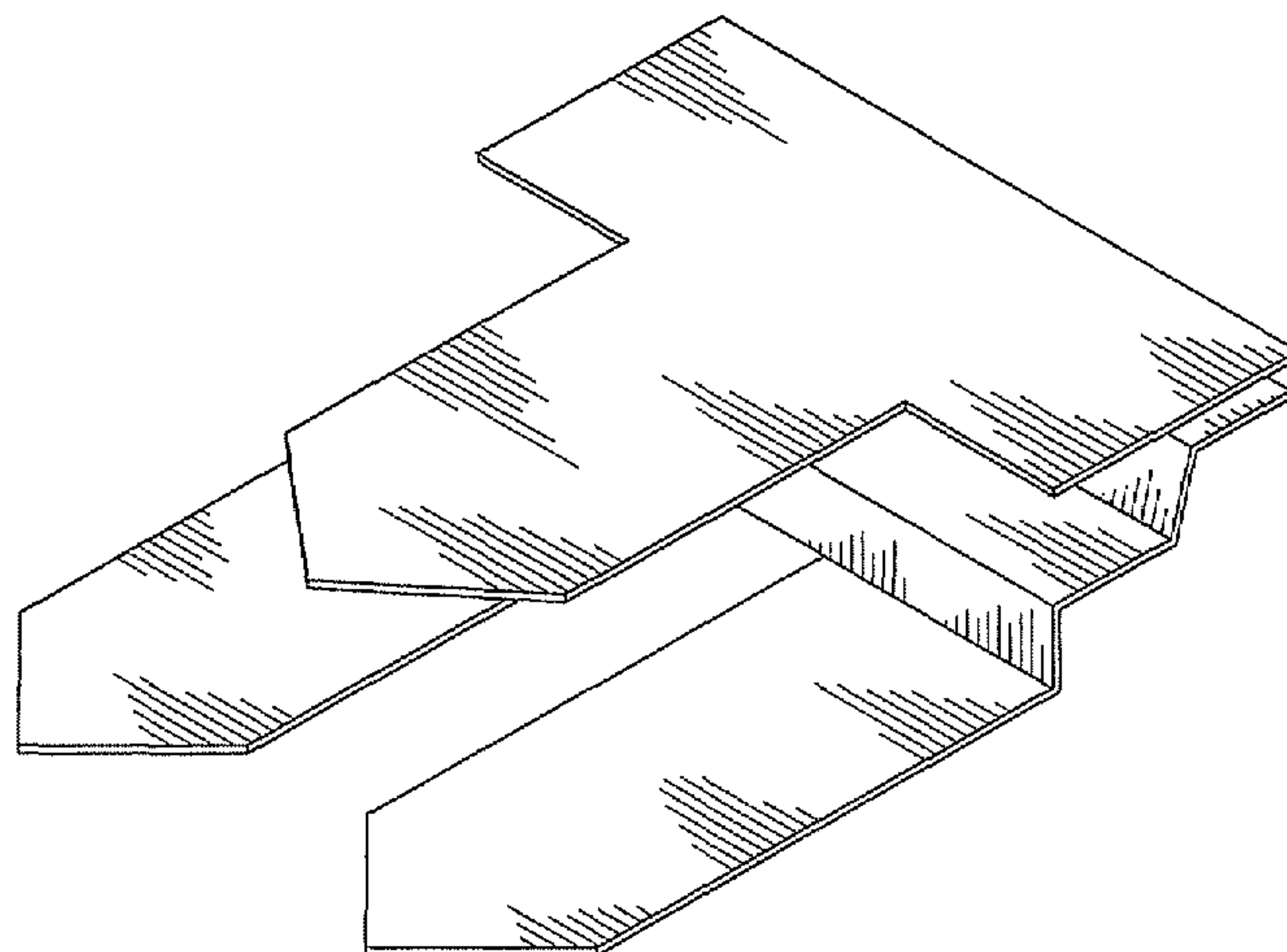
FIG. 3 is a right side elevation view of the ceiling tile edge support clip of FIG. 1;

FIG. 4 is a rear bottom perspective view of a further embodiment of the ceiling tile edge support clip of my original design having a flush tab extending rearwardly therefrom;

FIG. 5 is a front top perspective view of the ceiling tile edge support clip of FIG. 4; and,

FIG. 6 is a left side elevation view of the ceiling tile edge support clip of FIG. 4.

**1 Claim, 4 Drawing Sheets**



# US D603,692 S

Page 2

## U.S. PATENT DOCUMENTS

5,893,249 A 4/1999 Peterson et al.  
6,108,994 A 8/2000 Bodine  
D433,563 S \* 11/2000 Capanna et al. .... D3/215  
6,230,463 B1 5/2001 Bodine  
6,260,325 B1 7/2001 Wendt et al.  
6,318,042 B1 11/2001 Bloom et al.  
6,378,828 B1 \* 4/2002 Valiulis et al. .... 248/231.81  
6,389,771 B1 5/2002 Moller  
6,510,592 B1 \* 1/2003 Hamilton ..... 24/170  
D478,501 S \* 8/2003 Yoko ..... D8/395  
6,880,306 B2 4/2005 Burken et al.  
7,004,436 B2 \* 2/2006 Knapp ..... 248/220.22  
D522,351 S \* 6/2006 Taylor et al. .... D8/394  
7,062,886 B2 6/2006 Auriemma

D553,969 S \* 10/2007 Allsopp ..... D8/394  
D586,718 S \* 2/2009 Morita et al. .... D12/223  
2008/0256879 A1 10/2008 Babineau

## OTHER PUBLICATIONS

Ecophon, Focus Elite, the floating ceiling, Oct. 1992, pp. 1-6.  
Amendment in App. Ser. No. 09/141,407, Feb. 1, 2000, pp. 1-17.  
Amendment in App. Ser. No. 09/571,785, Nov. 30, 2000, pp. 1-9.  
Preliminary Amendment to 09/571,785, Jun. 12, 2000, pp. 1-4.  
PTO Office Action in 09/571,785, Aug. 30, 2000, pp. 1-5.  
PTO Interview Summary. U.S. Appl. No. 09/141,407, Jan. 10, 2000,  
1 page.  
Interlocutory decision dated Dec. 28, 2006 in 99-115-715.7,  
Armstrong World Industries, Inc.

\* cited by examiner

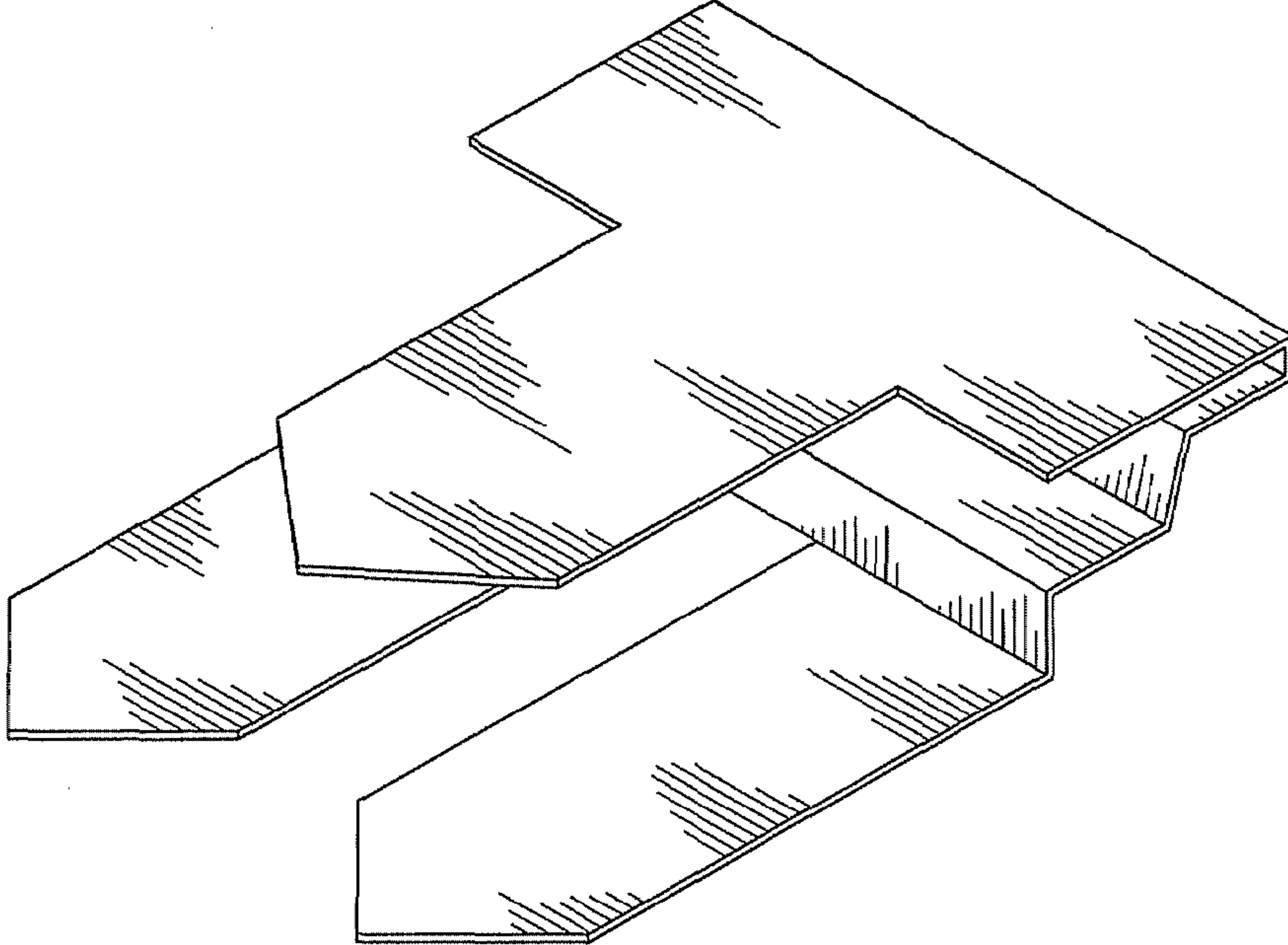


FIG. 1

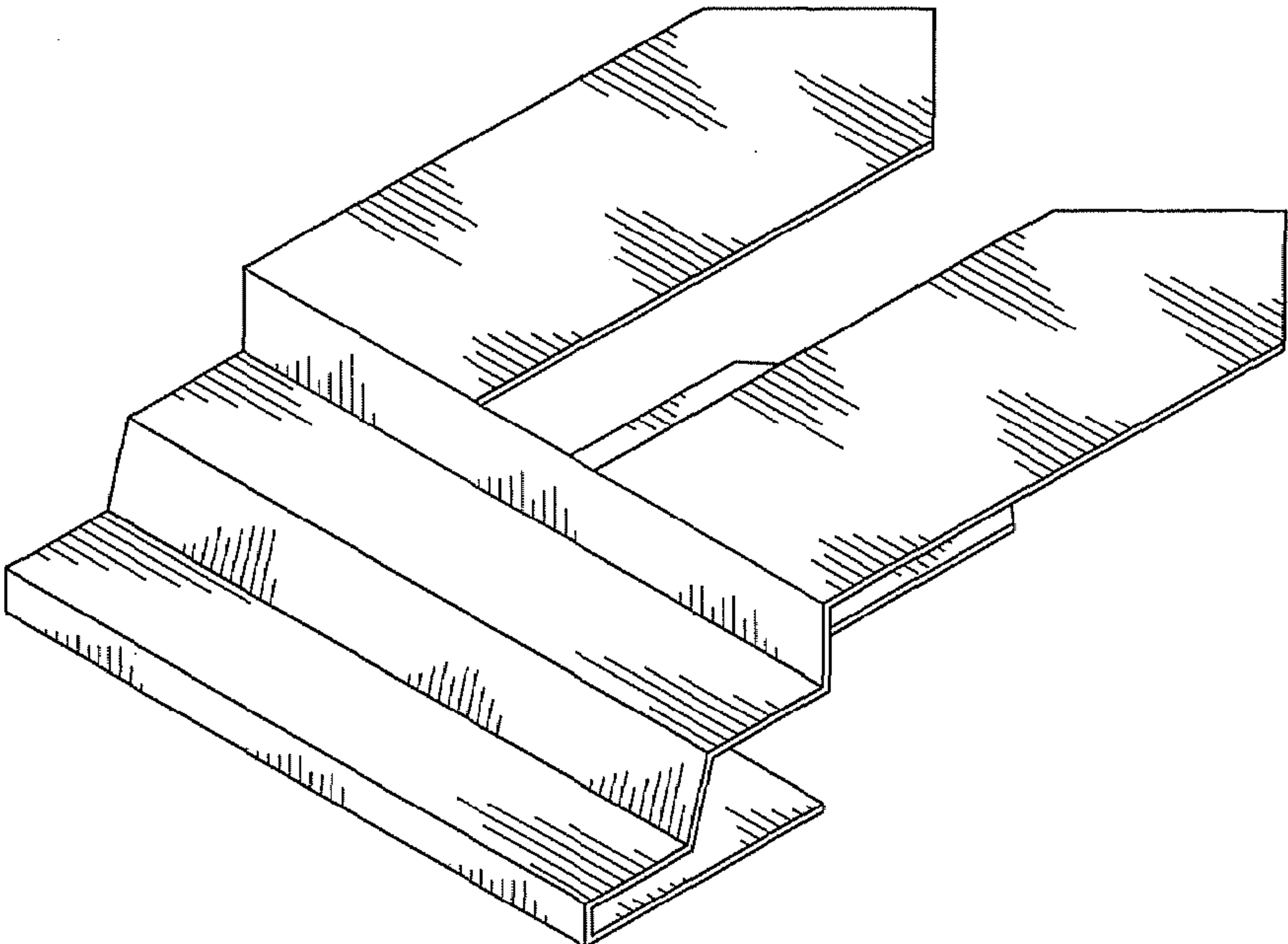


FIG. 2

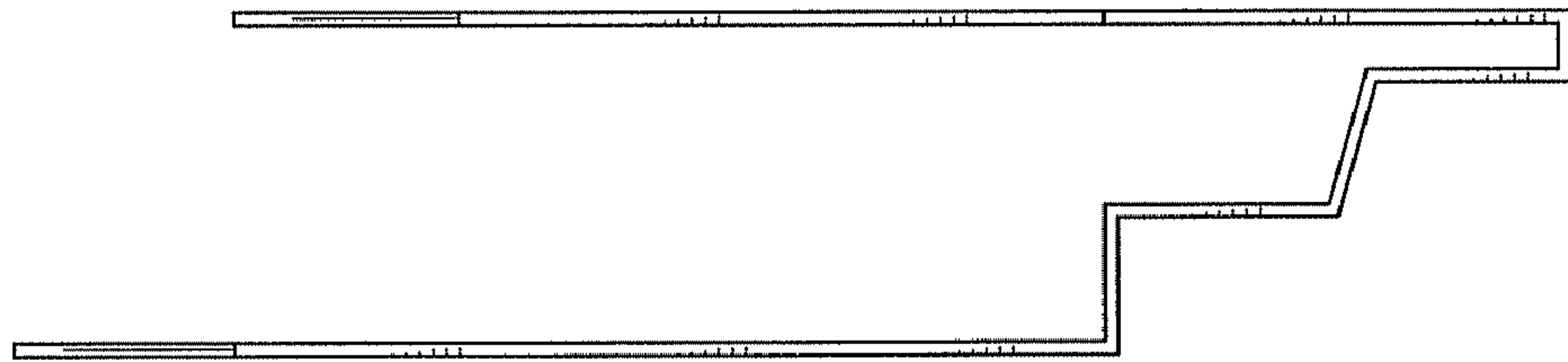


FIG. 3



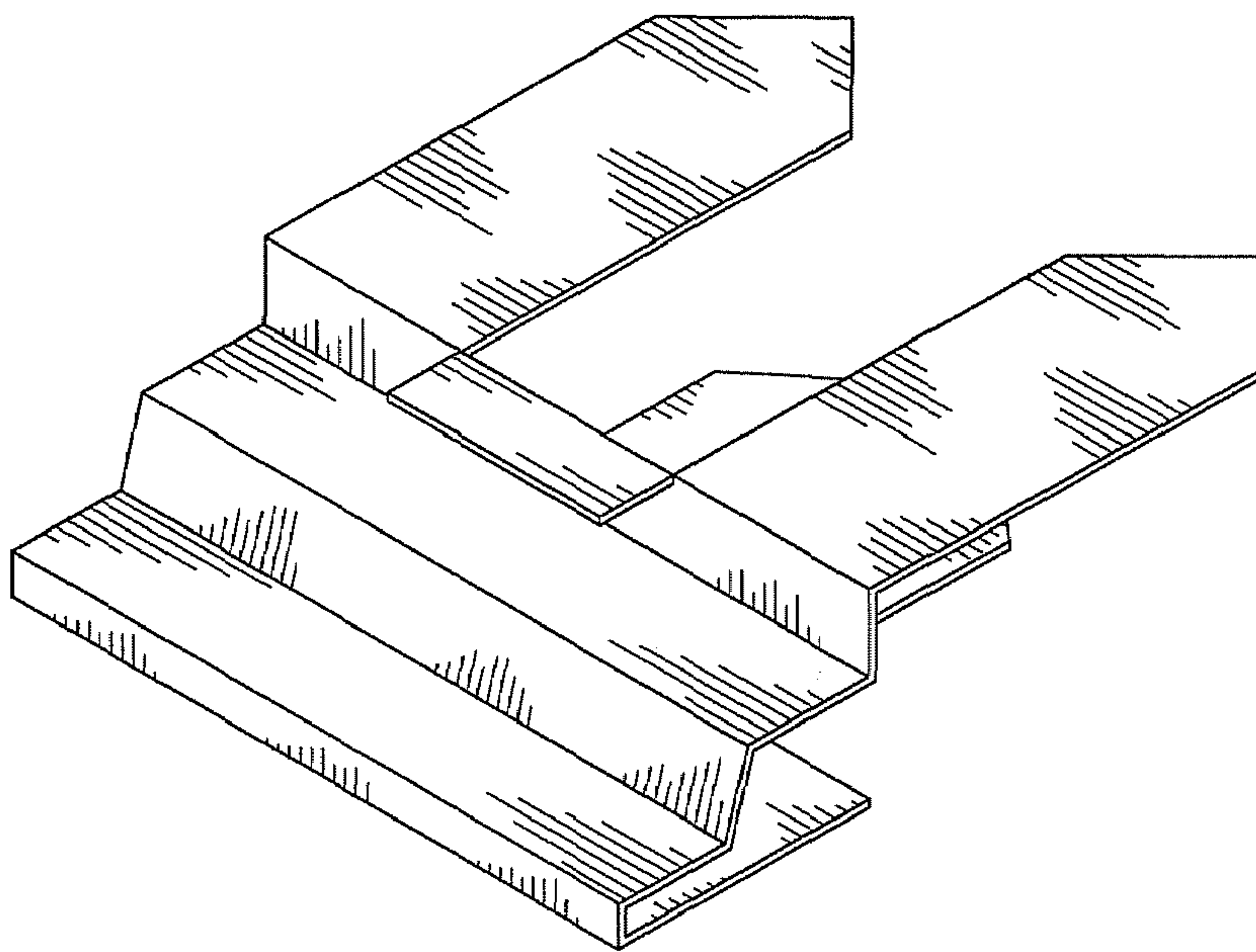


FIG. 4

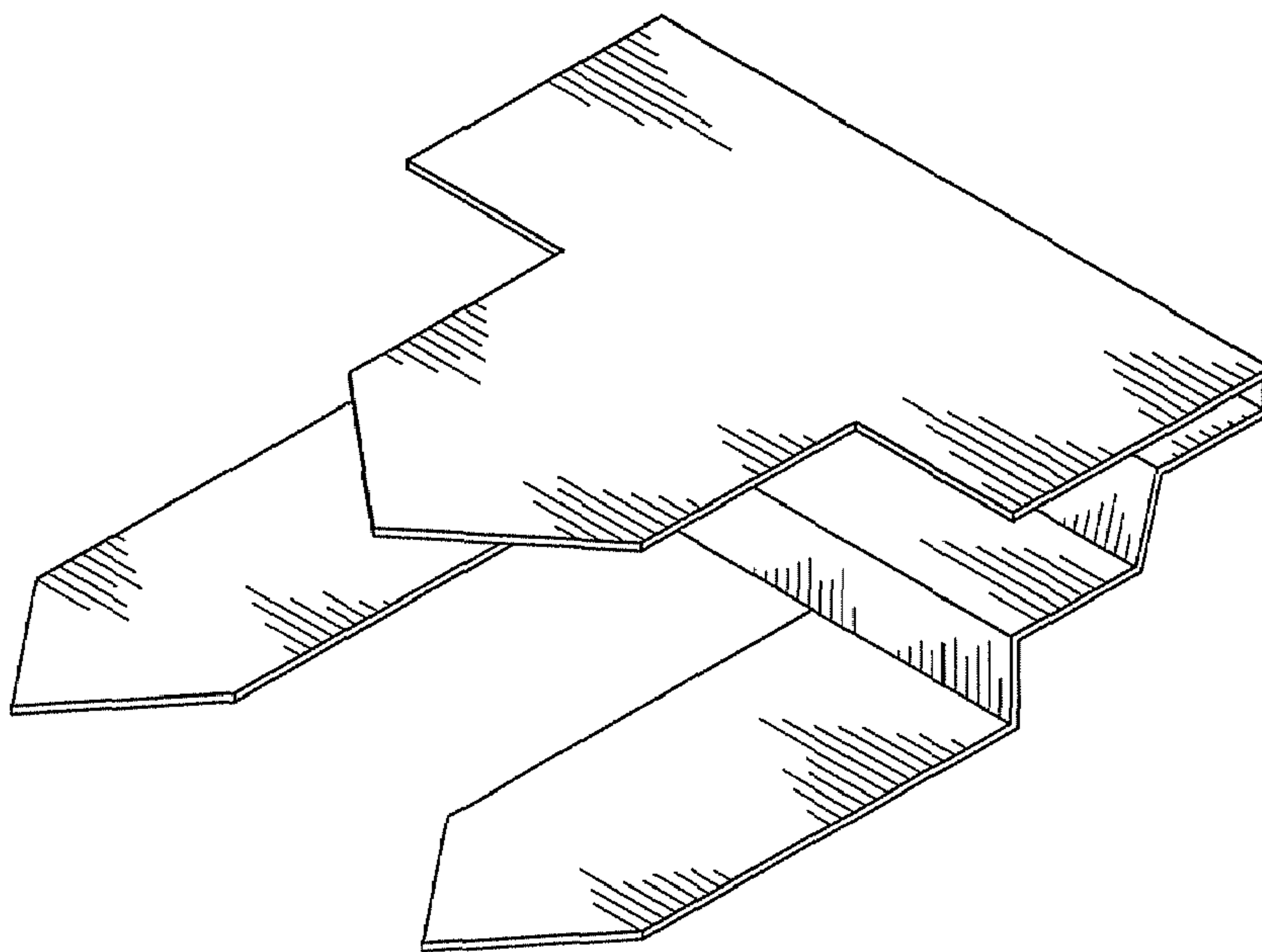


FIG. 5

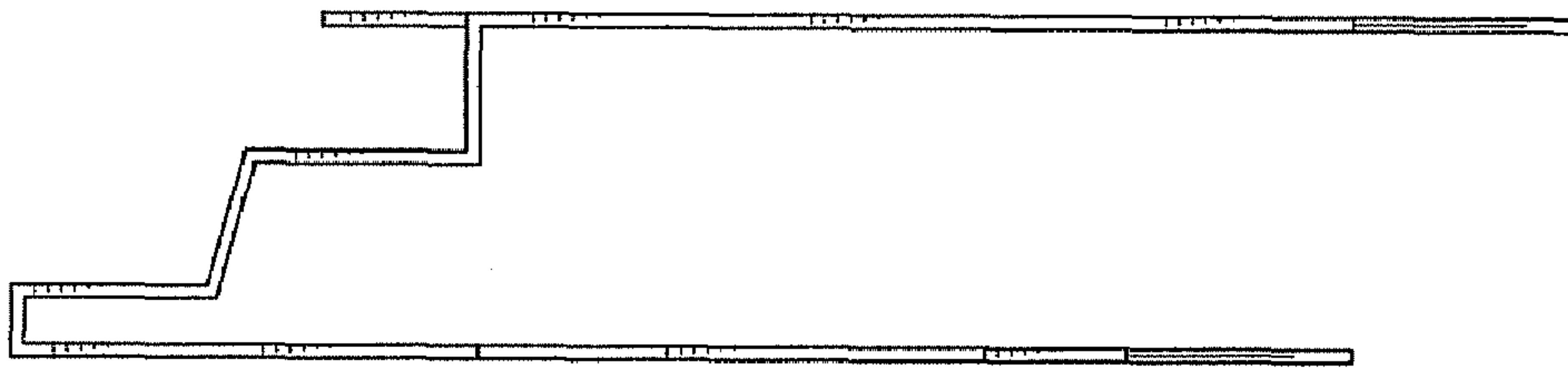


FIG. 6