



US00D603691S

(12) **United States Design Patent**
Georgievski

(10) **Patent No.:** **US D603,691 S**

(45) **Date of Patent:** **** Nov. 10, 2009**

(54) **WALL REPAIR CLIP**

(75) Inventor: **Louie Georgievski**, Yarraville (AU)

(73) Assignee: **Plasterfast Pty Ltd**, Yarraville, Victoria (AU)

(**) Term: **14 Years**

(21) Appl. No.: **29/310,825**

(22) Filed: **Sep. 11, 2008**

(51) **LOC (9) Cl.** **08-08**

(52) **U.S. Cl.** **D8/384**

(58) **Field of Classification Search** D8/384-388;
52/514, 361-363

See application file for complete search history.

(56) **References Cited**

U.S. PATENT DOCUMENTS

4,152,877 A	5/1979	Green	
D391,149 S	2/1998	Gonzales	
D420,895 S *	2/2000	Nadar	D8/384
2004/0045245 A1 *	3/2004	O'Brien	52/514

* cited by examiner

Primary Examiner—Holly H Baynham

Assistant Examiner—Sheryl Lane

(74) *Attorney, Agent, or Firm*—The Halvorson Law Firm

(57) **CLAIM**

The ornamental design for a wall repair clip, as shown and described.

DESCRIPTION

FIG. 1 is a perspective view of the wall repair clip;

FIG. 2 is a rear perspective view of the wall repair clip;

FIG. 3 is a side view of the wall repair clip;

FIG. 4 is a second view of the wall repair clip;

FIG. 5 is a front view of the wall repair clip;

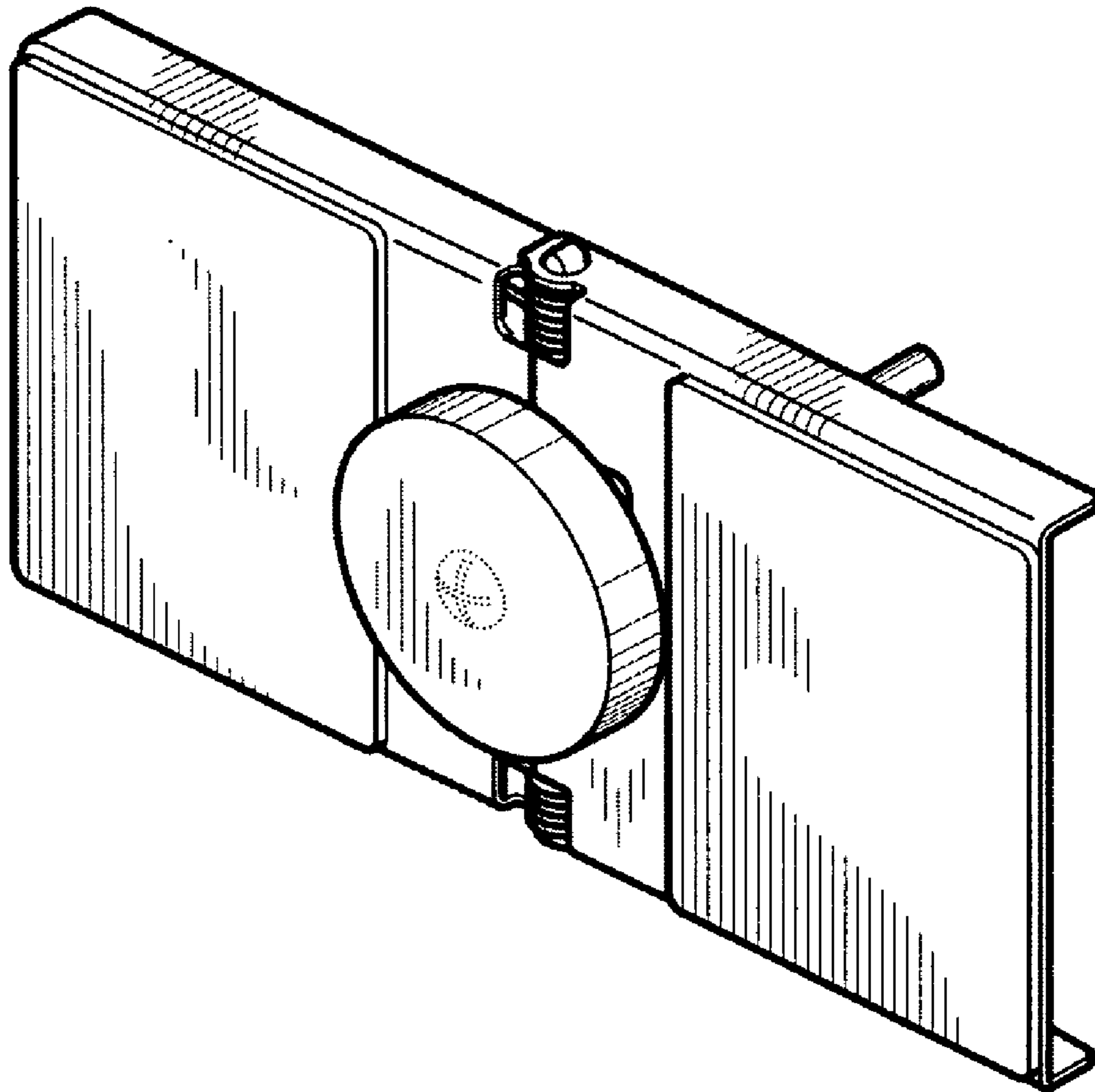
FIG. 6 is a rear view of the wall repair clip;

FIG. 7 is a third side view of the wall repair clip; and,

FIG. 8 is a fourth side view of the wall repair clip.

The broken line showing of wall repair clip is included for the purpose of illustrating portions of the article and forms no part of the claimed design.

1 Claim, 4 Drawing Sheets



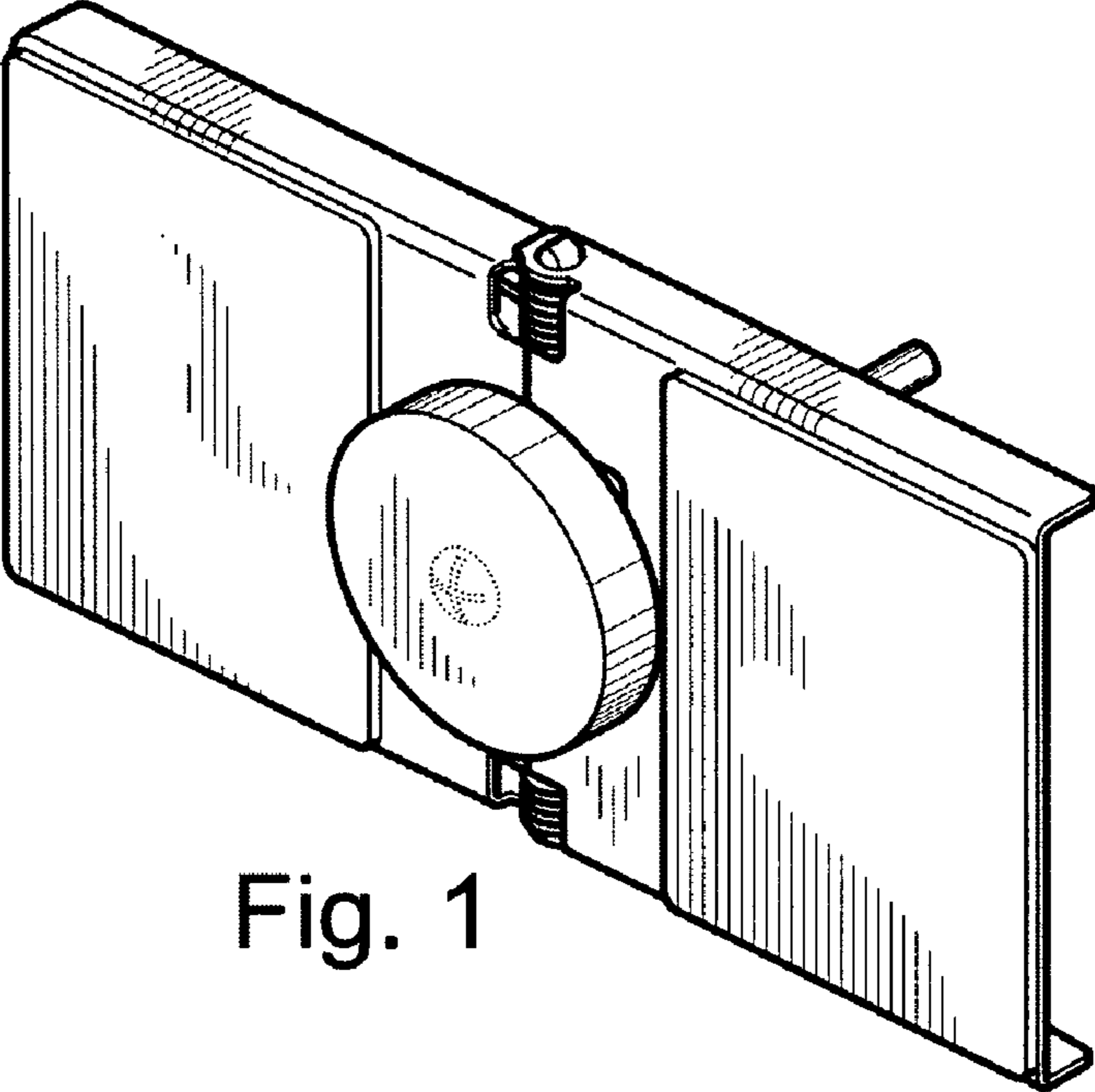


Fig. 1

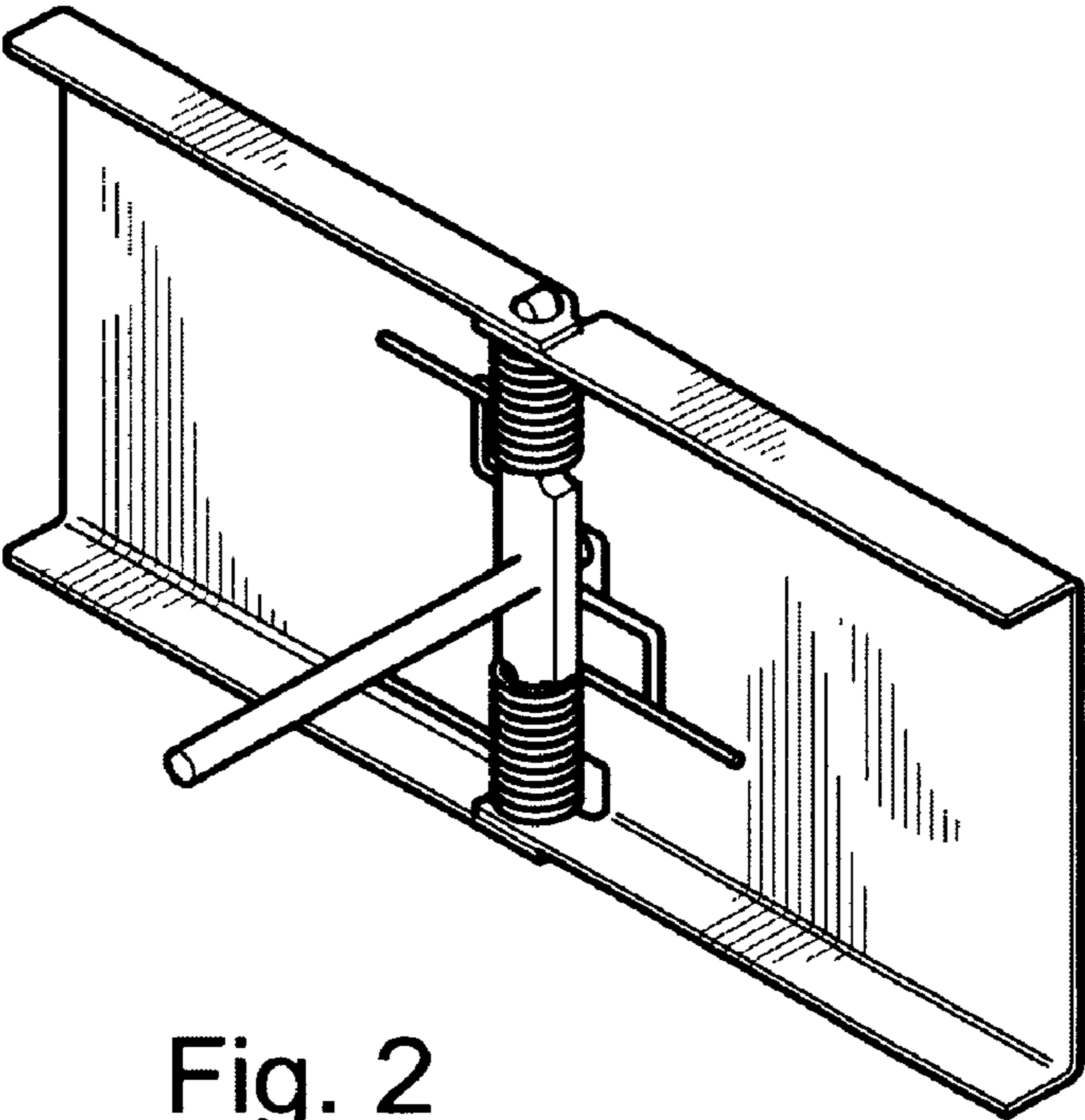


Fig. 2

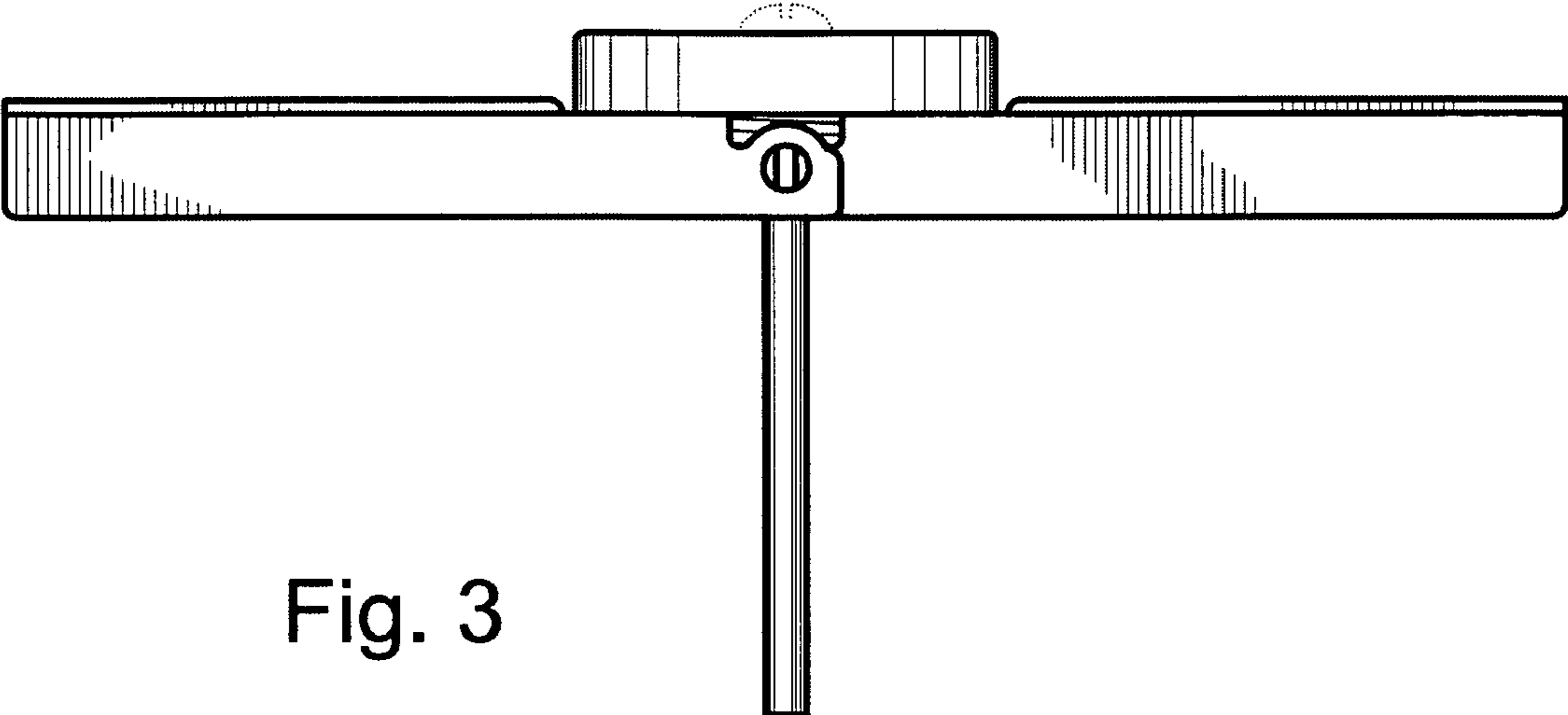


Fig. 3

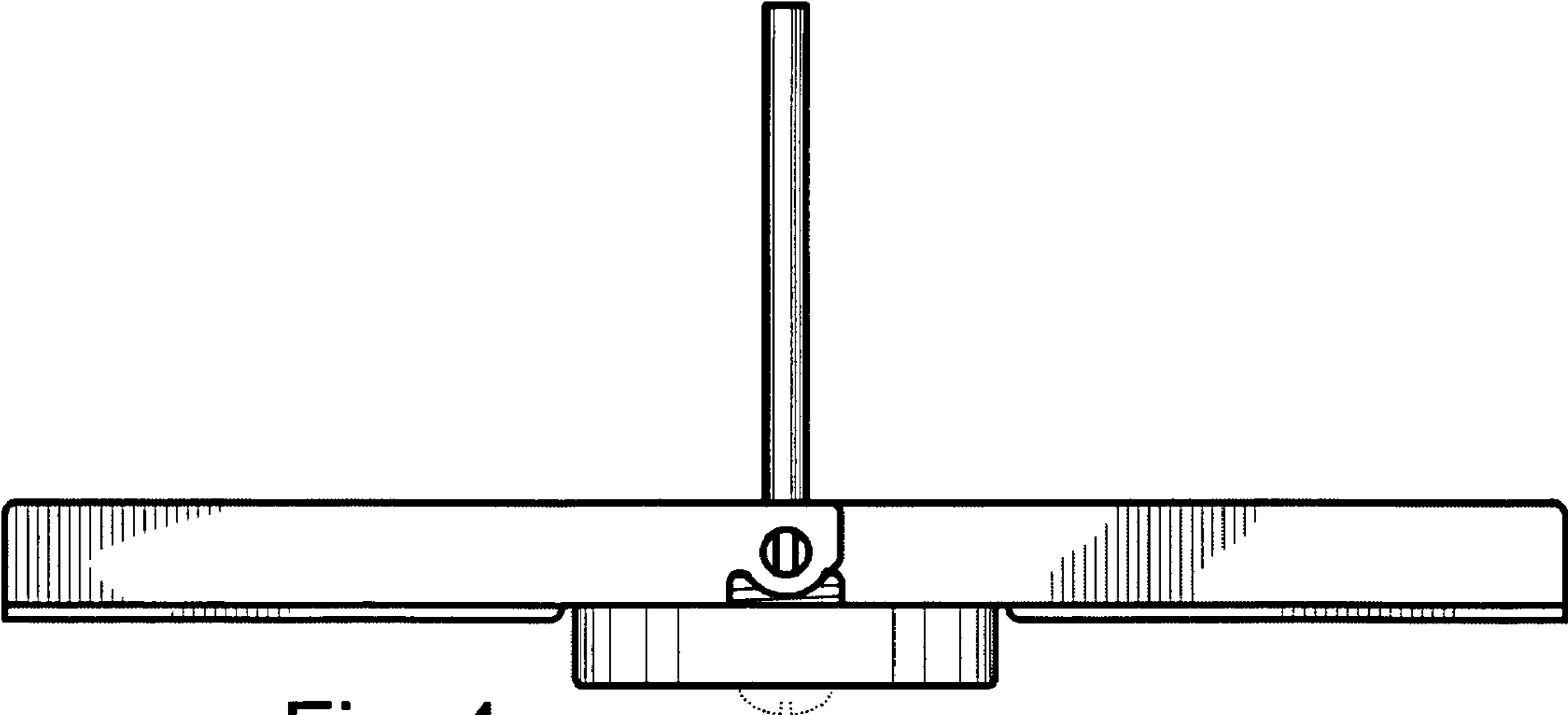


Fig. 4

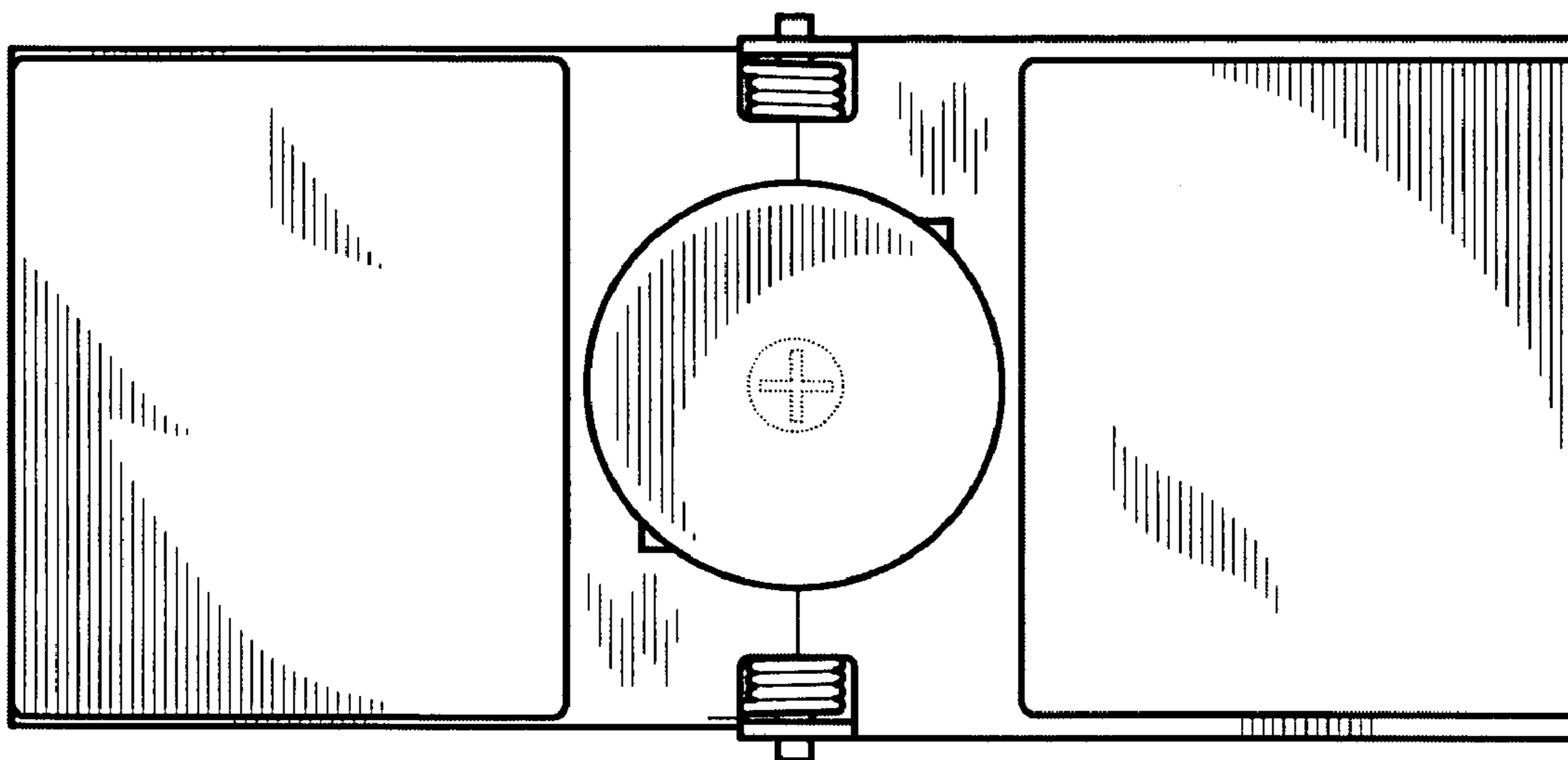


Fig. 5

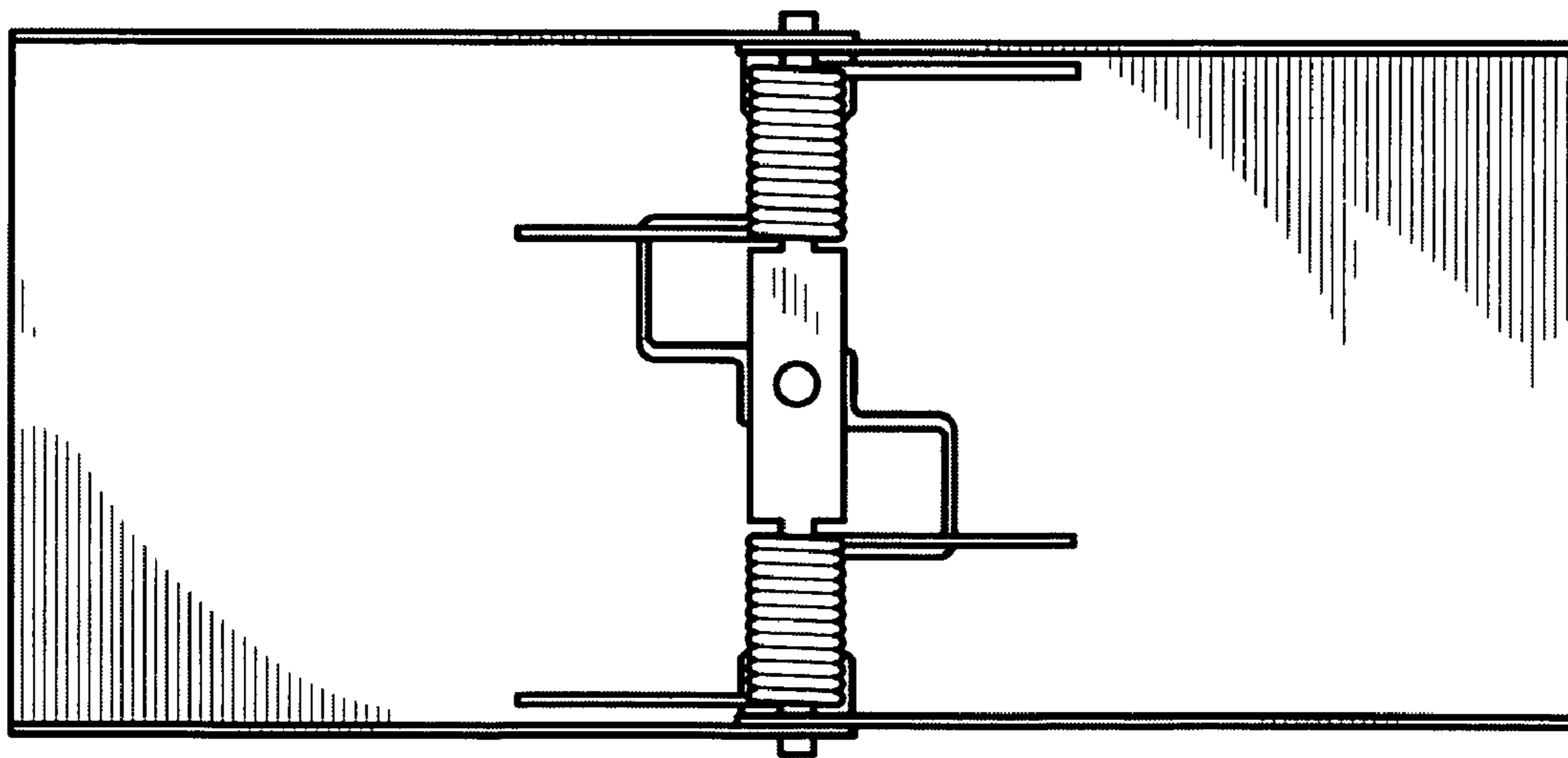


Fig. 6

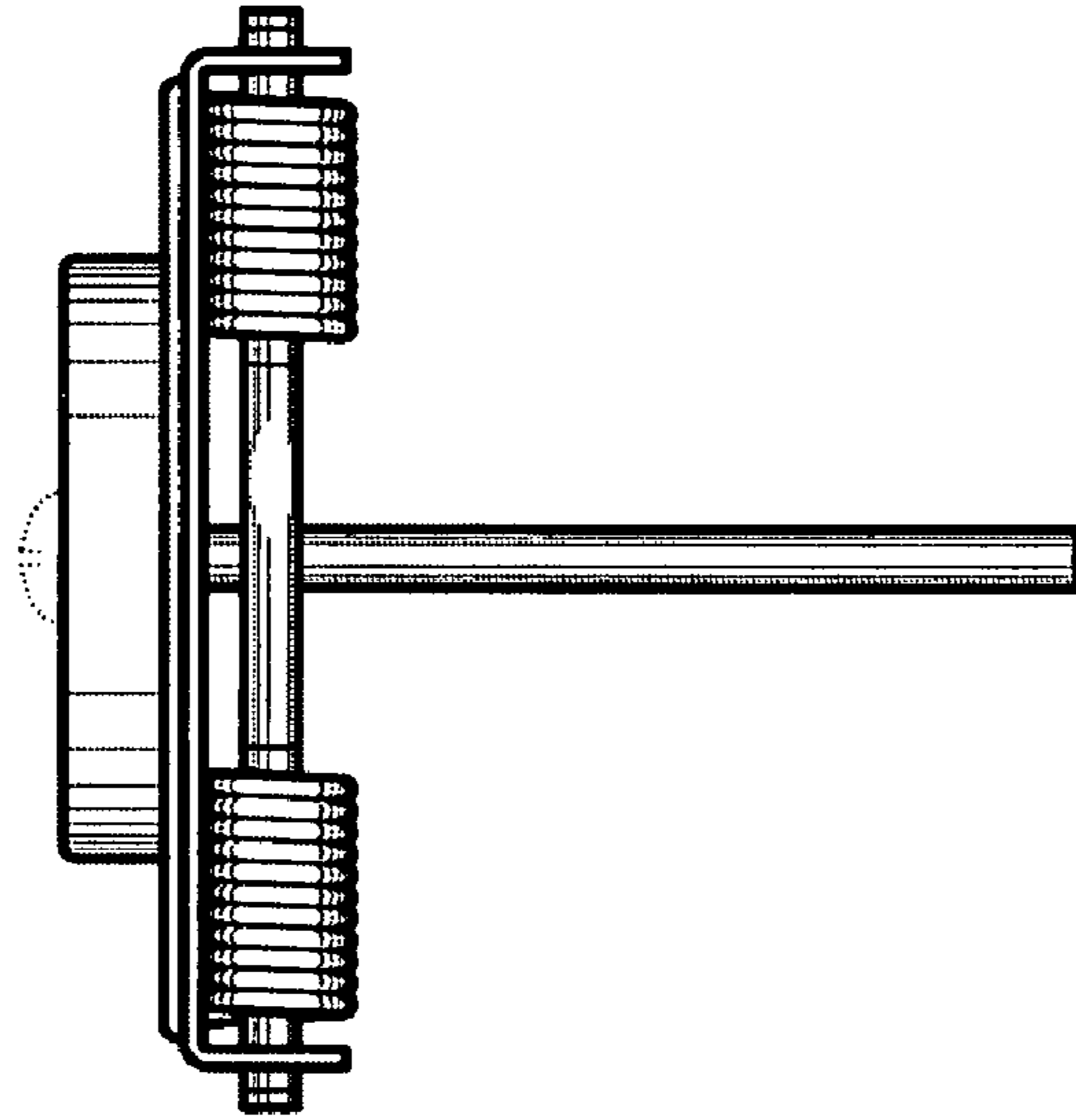


Fig. 7

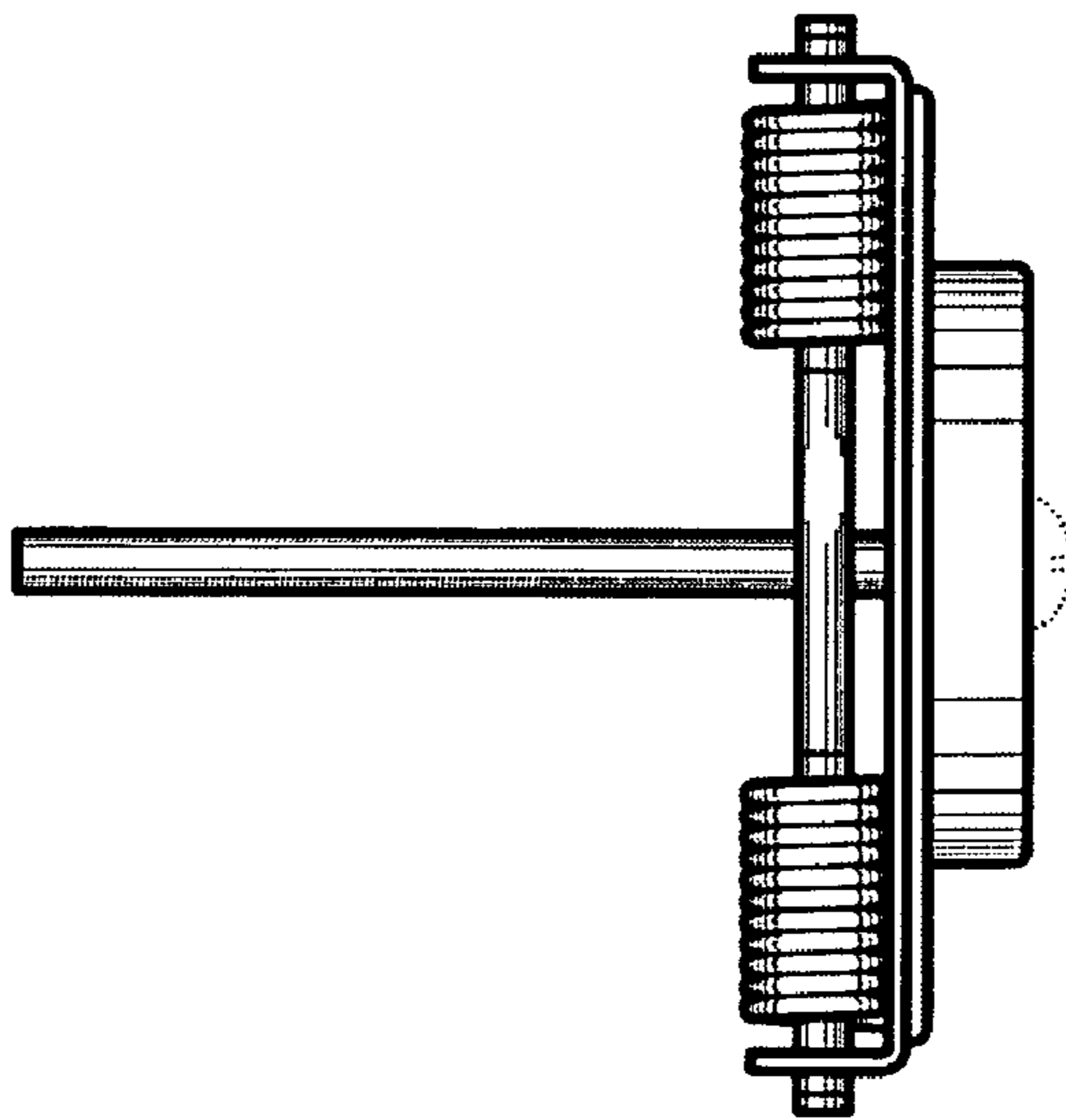


Fig. 8