



US00D603690S

(12) **United States Design Patent**  
**Rhein et al.**

(10) **Patent No.:** **US D603,690 S**  
(45) **Date of Patent:** **\*\* Nov. 10, 2009**

(54) **CASTER**

(75) Inventors: **Detlef Rhein**, Hamburg (DE); **Till Garthoff**, Hamburg (DE)

(73) Assignee: **TENTE GmbH & Co. KG**,  
Wermelskirchen (DE)

(\*\*) Term: **14 Years**

(21) Appl. No.: **29/314,960**

(22) Filed: **May 13, 2009**

**Related U.S. Application Data**

(62) Division of application No. 29/294,138, filed on Dec. 21, 2007, now Pat. No. Des. 594,316.

**Foreign Application Priority Data**

(30) Jun. 29, 2007 (DE) ..... 407 03 380

(51) **LOC (9) Cl.** ..... **05-08**

(52) **U.S. Cl.** ..... **D8/375**

(58) **Field of Classification Search** ..... D8/375;  
D34/27; D3/318; D12/501, 209, 208; 16/47,  
16/46, 45, 35 R, 35 D, 31 R, 29, 22, 18 R,  
16/18 CG

See application file for complete search history.

(56) **References Cited**

**U.S. PATENT DOCUMENTS**

D343,787 S \* 2/1994 Finkeldey et al. .... D8/375

D349,043 S \* 7/1994 Carlson et al. .... D8/375  
D380,373 S \* 7/1997 Screen ..... D8/375  
D409,900 S \* 5/1999 Simons et al. .... D8/375  
D557,122 S \* 12/2007 Screen ..... D8/375  
D557,596 S \* 12/2007 Screen ..... D8/375  
D570,200 S \* 6/2008 Jen ..... D8/375  
D573,452 S \* 7/2008 Graffunder et al. .... D8/375

\* cited by examiner

*Primary Examiner*—Susan Bennett Hattan  
(74) *Attorney, Agent, or Firm*—Collard & Roe, P.C.

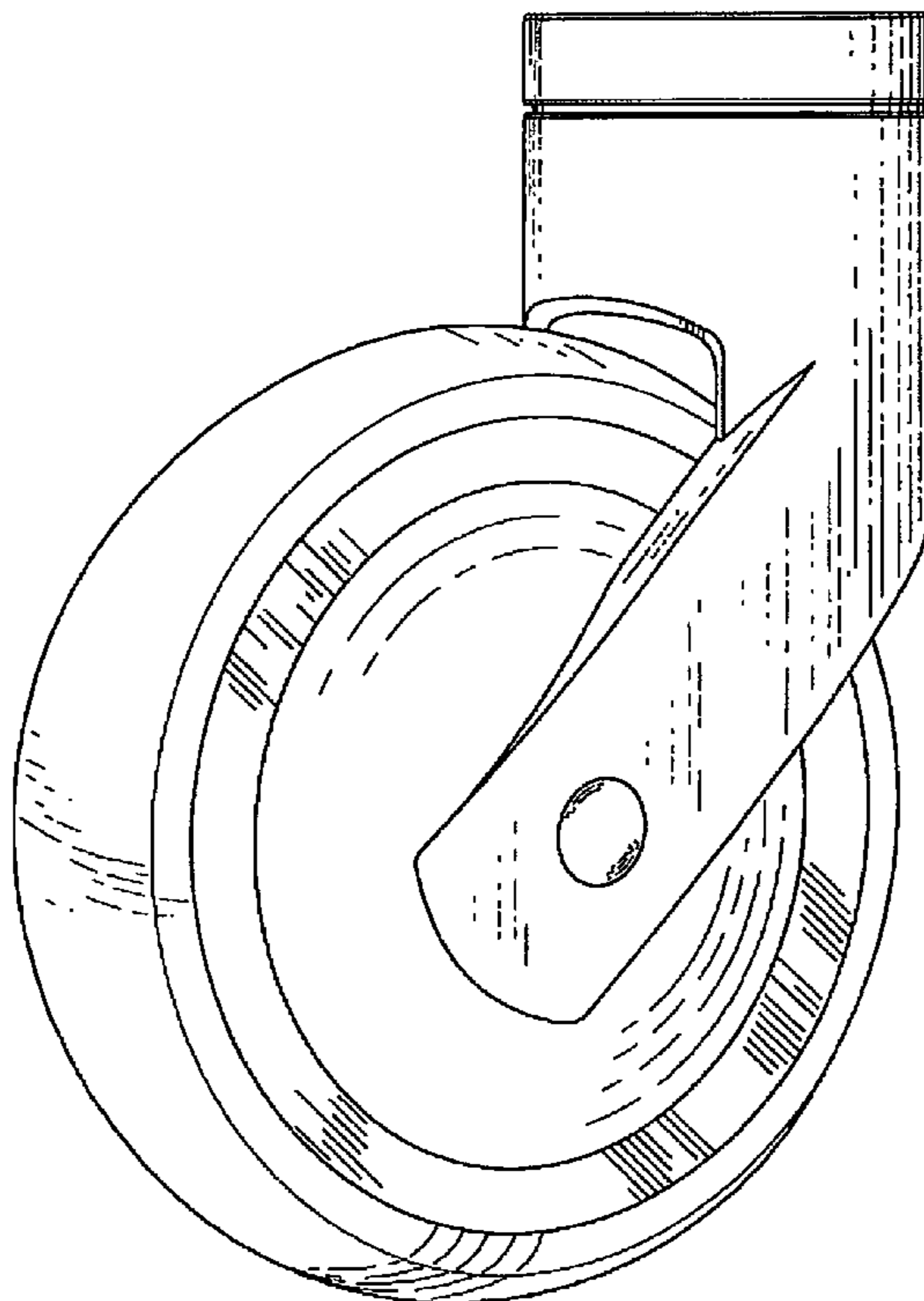
(57) **CLAIM**

The ornamental design for a caster, as shown and described.

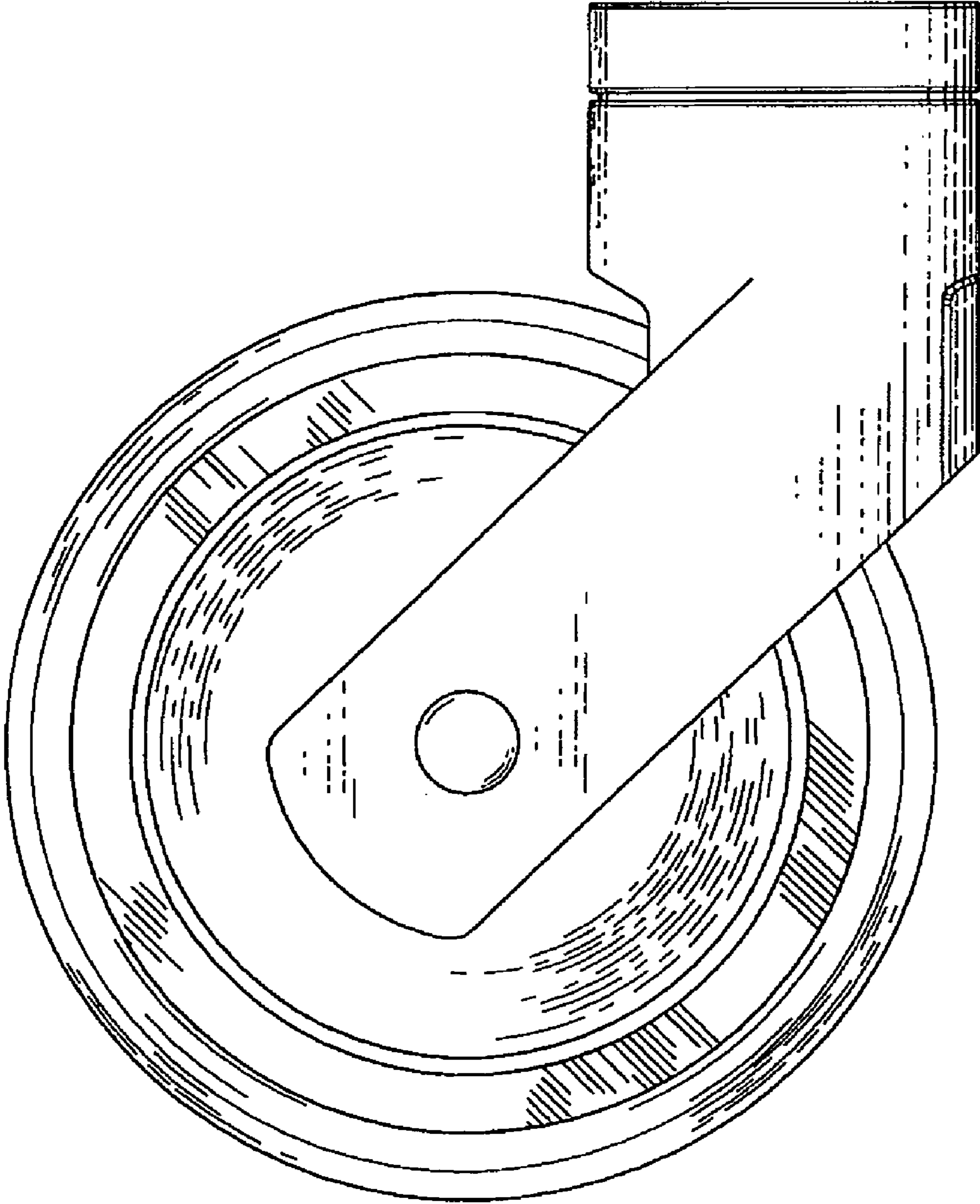
**DESCRIPTION**

FIG. 1 shows a side view of our design for a caster;  
FIG. 2 shows a front view thereof;  
FIG. 3 shows an opposite side view thereof;  
FIG. 4 shows a rear view thereof;  
FIG. 5 shows a top view thereof;  
FIG. 6 shows a bottom view thereof; and,  
FIG. 7 shows a perspective view thereof.

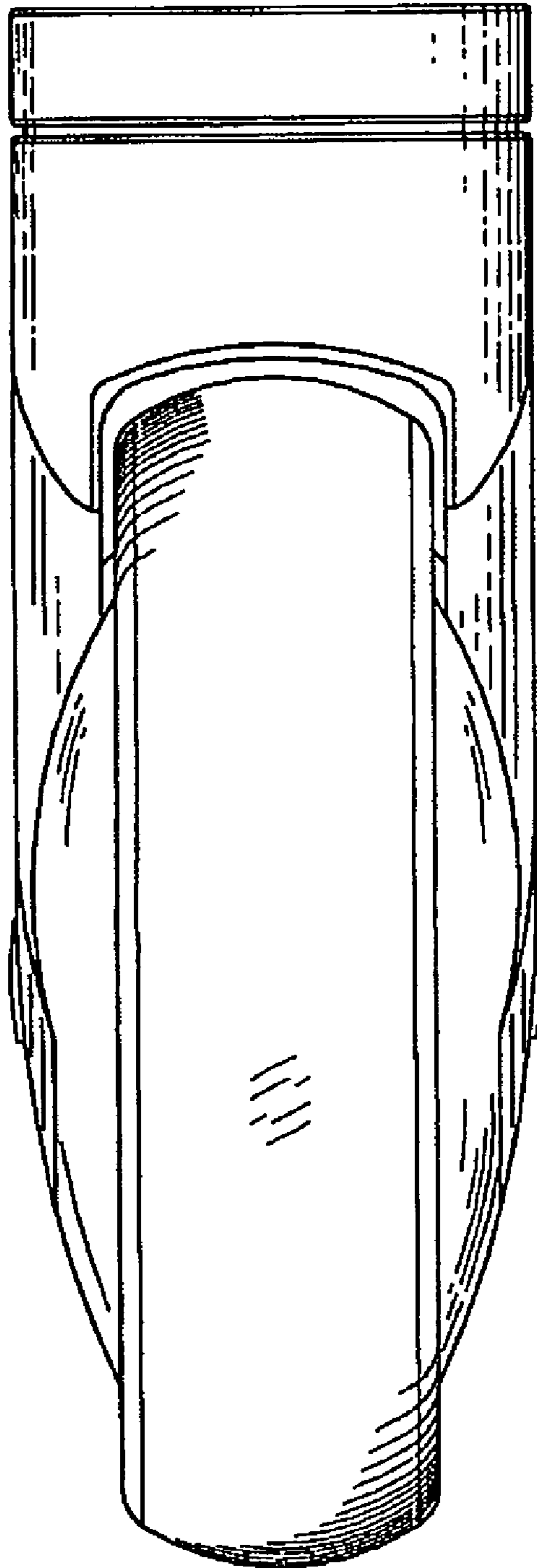
**1 Claim, 6 Drawing Sheets**



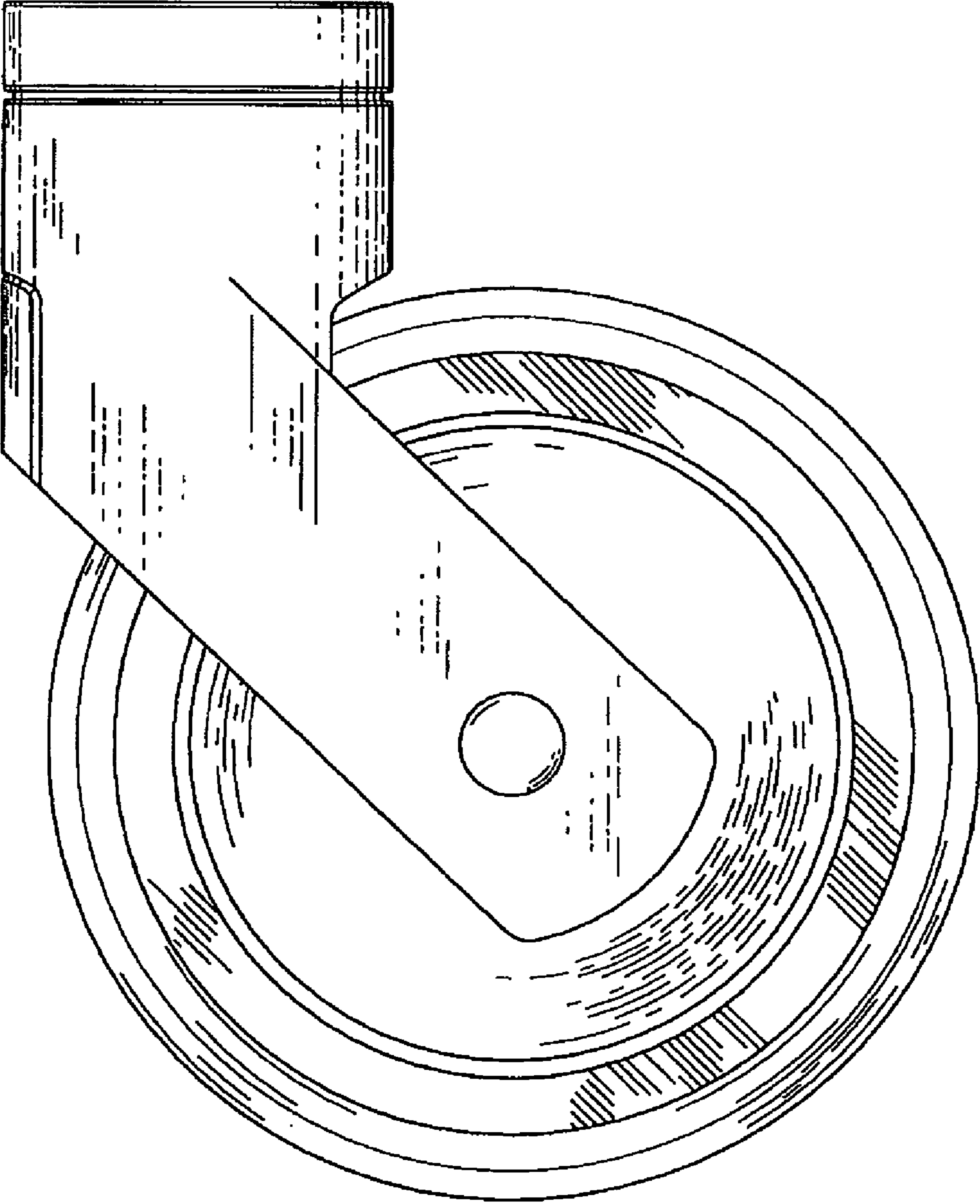
***Fig. 1***



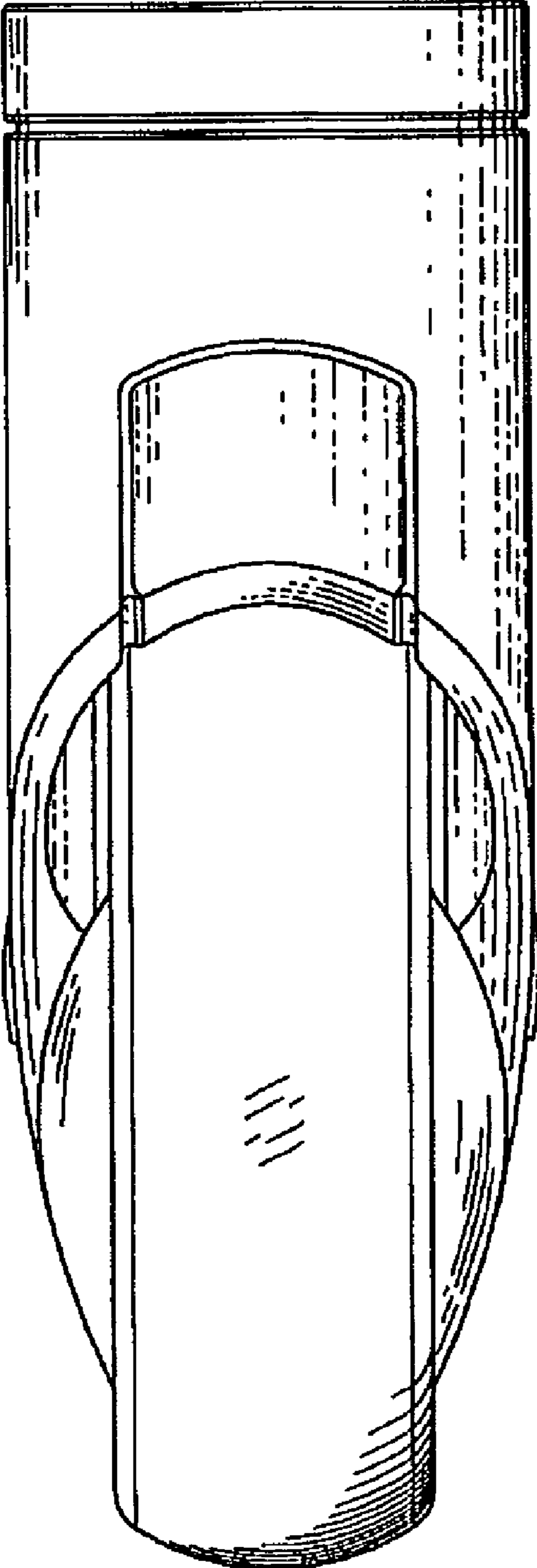
***Fig. 2***



***Fig. 3***

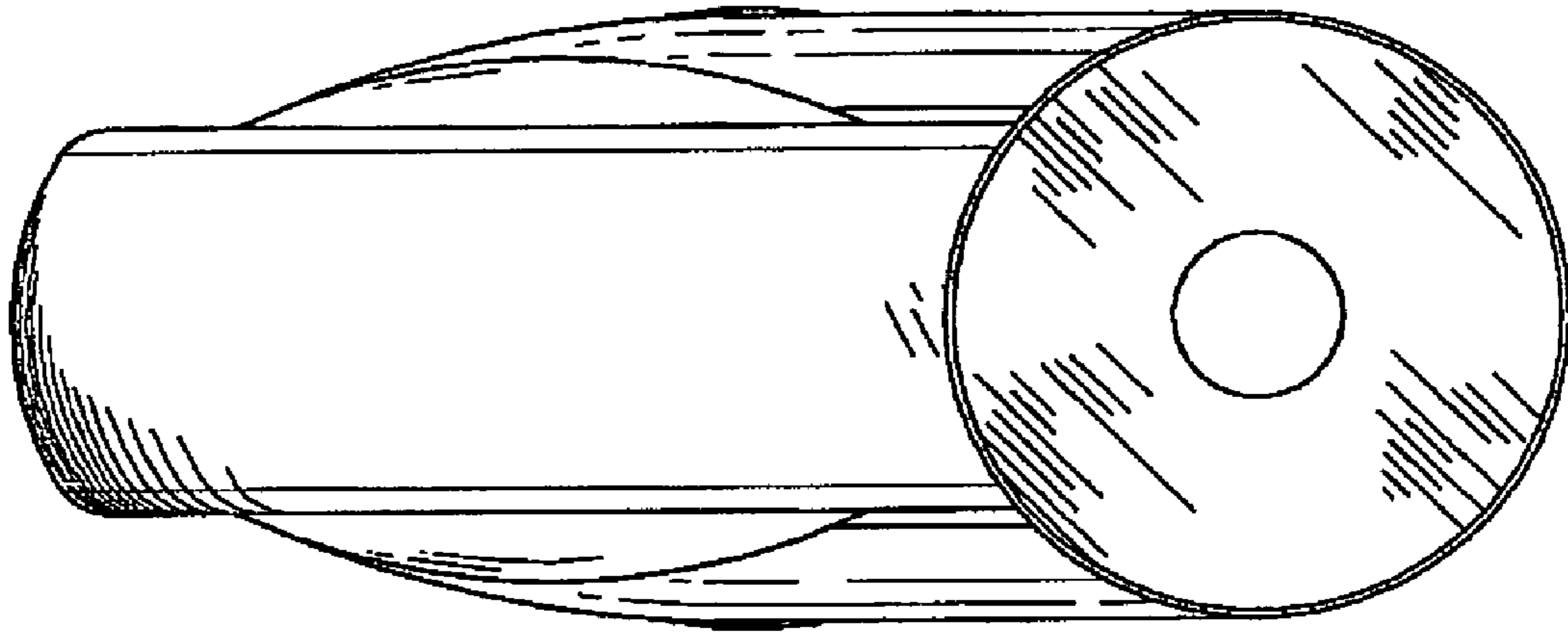


***Fig. 4***

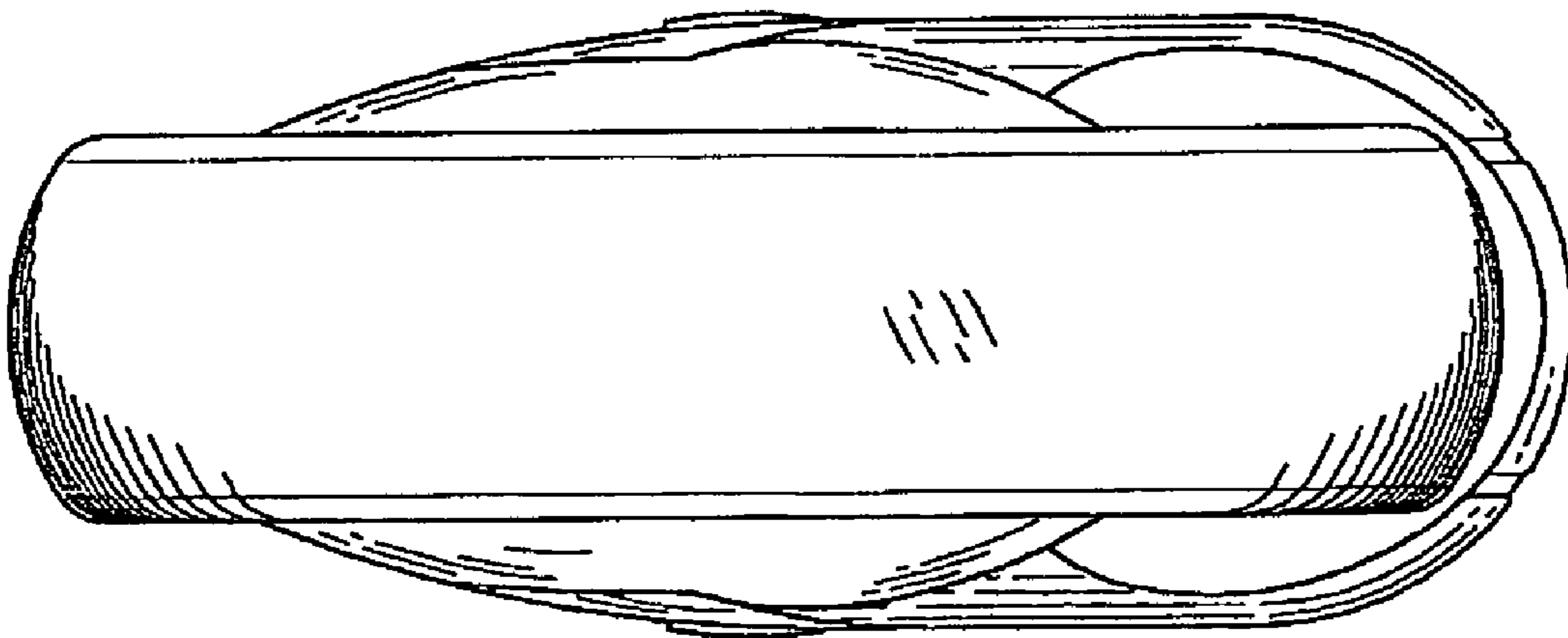




***Fig. 5***



***Fig. 6***



**Fig. 7**

