



US00D603685S

(12) **United States Design Patent**
Jackson

(10) **Patent No.:** **US D603,685 S**

(45) **Date of Patent:** **** Nov. 10, 2009**

(54) **T-SHAPED PADLOCK SHACKLE**

(76) **Inventor:** **Patrick Jackson**, 167 Carroll St.,
Shreveport, LA (US) 71105

(**) **Term:** **14 Years**

(21) **Appl. No.:** **29/314,193**

(22) **Filed:** **Mar. 12, 2009**

(51) **LOC (9) Cl.** **08-07**

(52) **U.S. Cl.** **D8/343; D8/334; D8/315**

(58) **Field of Classification Search** D8/343,
D8/300, 310, 311, 315, 321, 330, 331, 333,
D8/334, 335, 336, 339, 382, 395; D6/300,
D6/317, 319, 549; D7/393, 394; D12/178;
D19/65, 86, 100; D21/673, 694; 70/14,
70/18, 20, 24, 25, 28, 29, 33, 38 A, 38 B,
70/51, 53, 233; 211/1, 60.1, 70, 124

See application file for complete search history.

(56) **References Cited**

U.S. PATENT DOCUMENTS

- D32,638 S * 5/1900 Voight D8/334
- 1,420,578 A * 6/1922 Reichstein 70/26
- D258,113 S * 2/1981 Koffler D8/301
- D262,814 S * 1/1982 Lambert et al. D21/694
- D352,221 S * 11/1994 Scholl D8/315
- D392,540 S * 3/1998 McDaid D8/334
- D425,151 S * 5/2000 Landfair D21/681

- D429,587 S * 8/2000 Chen D6/549
- D433,310 S * 11/2000 Luquire D8/333
- 6,298,694 B1 * 10/2001 Knoll 70/25
- D540,155 S * 4/2007 Czerewko D8/367
- D579,556 S * 10/2008 Stebler D24/122

* cited by examiner

Primary Examiner—Stella M Reid

Assistant Examiner—Derrick Holland

(74) *Attorney, Agent, or Firm*—R. Keith Harrison

(57) **CLAIM**

The ornamental design for a T-shaped padlock shackle, as shown and described.

DESCRIPTION

FIG. 1 is a perspective view of a T-shaped padlock shackle showing my new design;

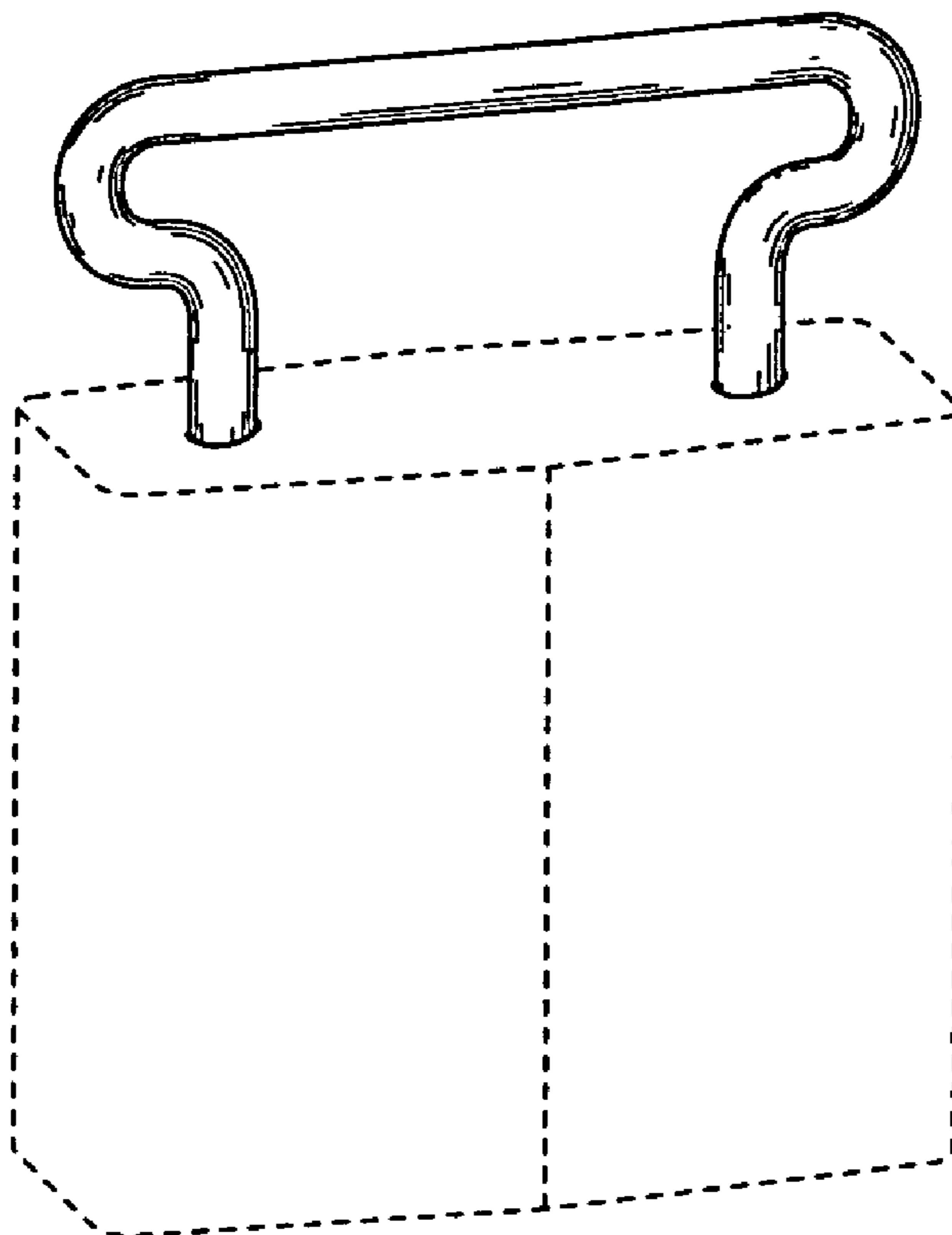
FIG. 2 is a top plan view thereof;

FIG. 3 is a right side elevation view thereof, the left side being a mirror image; and,

FIG. 4 is a front elevation view thereof, the rear view being a mirror image.

The broken lines showing a padlock body represents unclaimed subject matter and forms no part of the claimed design.

1 Claim, 1 Drawing Sheet



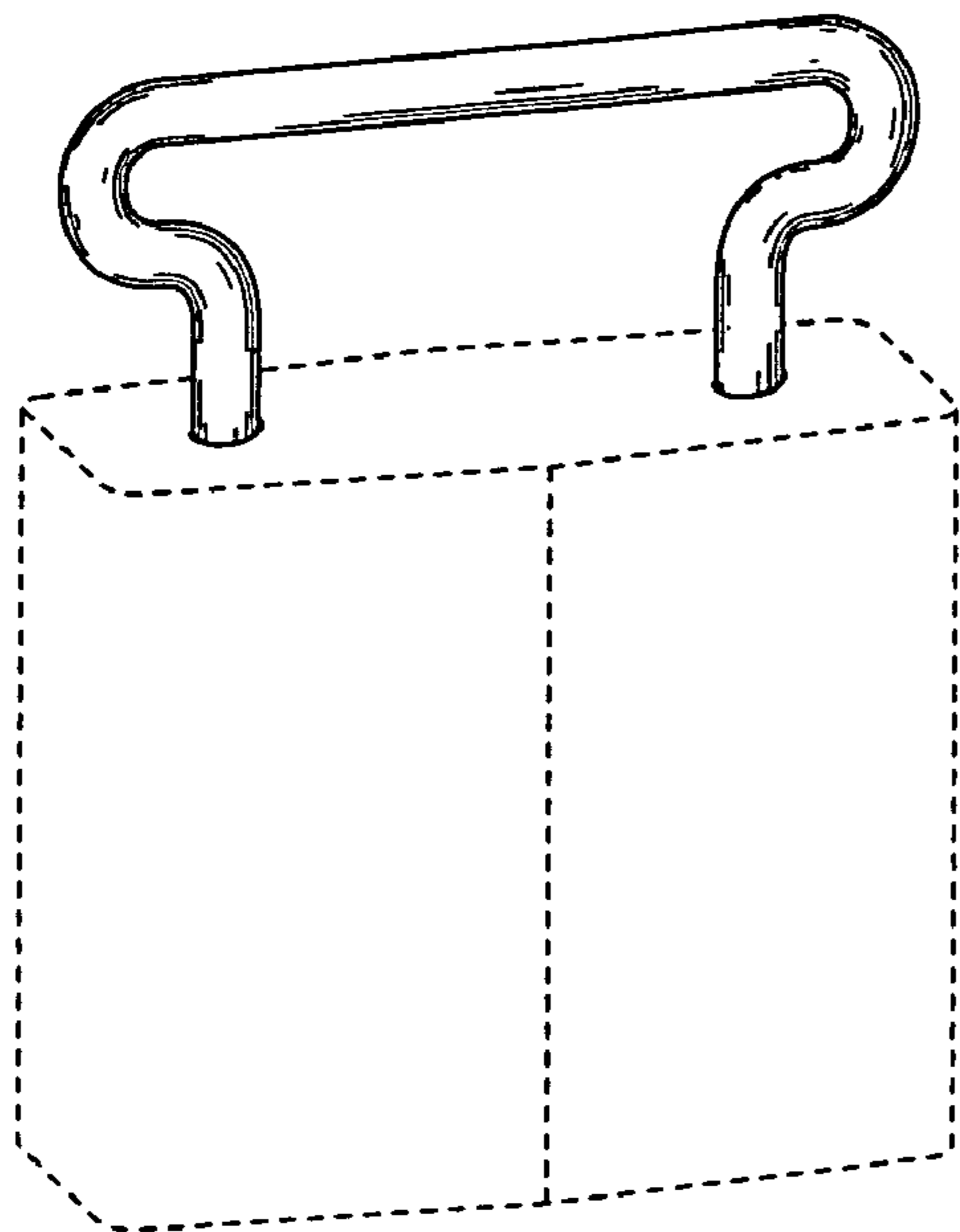


FIG. 1

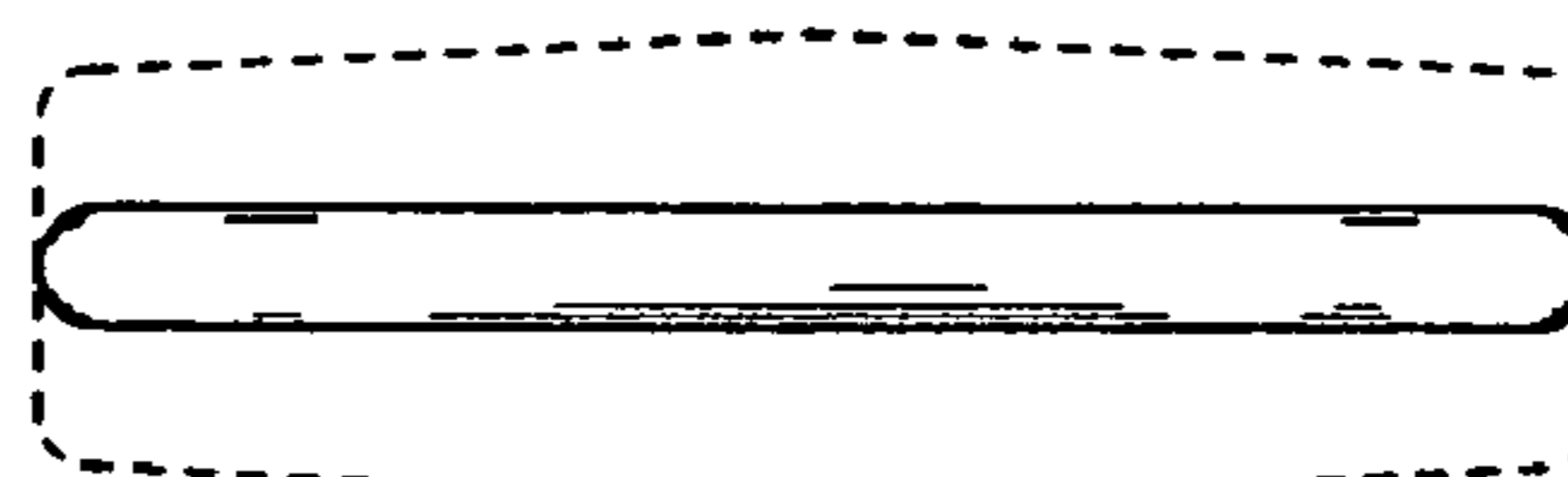


FIG. 2



FIG. 3

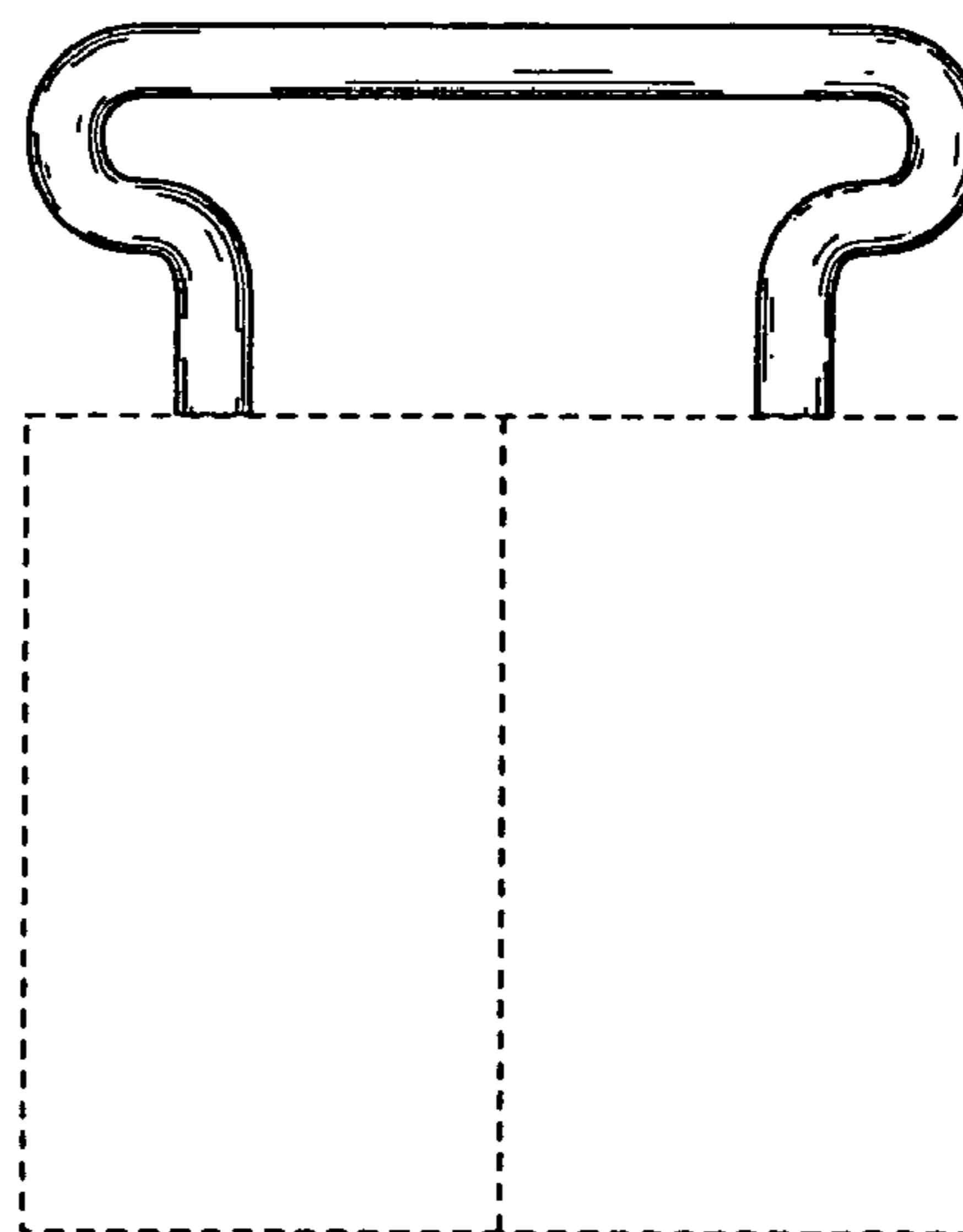


FIG. 4