



US00D603684S

(12) **United States Design Patent**
Martis et al.

(10) **Patent No.:** **US D603,684 S**

(45) **Date of Patent:** **** Nov. 10, 2009**

(54) **LATCH ASSEMBLY WITH RELEASE LEVER**

7,448,656 B1 * 11/2008 Hein et al. 292/113

(75) Inventors: **Charles J. Martis**, Harding, PA (US);
Christopher John Terella, Kingston, PA (US);
James Michael Kosco, West Wyoming, PA (US)

* cited by examiner

Primary Examiner—Prabhakar Deshmukh
(74) *Attorney, Agent, or Firm*—Woodcock Washburn LLP

(73) Assignee: **Pride Mobility Products Corporation**,
Exeter, PA (US)

(57) **CLAIM**

The ornamental design for a latch assembly with release lever, as shown and described.

(**) Term: **14 Years**

(21) Appl. No.: **29/304,401**

DESCRIPTION

(22) Filed: **Feb. 29, 2008**

FIG. 1 is a top-front perspective view of a latch assembly with release lever showing our new design;

(51) **LOC (9) Cl.** **08-07**

FIG. 2 is a side view of the latch assembly with release lever depicted in FIG. 1;

(52) **U.S. Cl.** **D8/331; D8/336**

FIG. 3 is a front view of the latch assembly with release lever depicted in FIGS. 1–2;

(58) **Field of Classification Search** D8/330,
D8/331, 336–339, 343; 70/141, 51, 99, 195;
292/308, 359, DIG. 30

FIG. 4 is a top-rear perspective view of the latch assembly with release lever depicted in FIGS. 1–3;

See application file for complete search history.

FIG. 5 is a top view of the latch assembly with release lever depicted in FIGS. 1–4;

(56) **References Cited**

U.S. PATENT DOCUMENTS

- 4,706,478 A * 11/1987 Swan et al. 70/28
- D334,009 S * 3/1993 Irving et al. D8/331
- 5,351,509 A * 10/1994 Visenzi 70/73
- 5,651,279 A * 7/1997 Berton et al. 70/211
- D429,518 S * 8/2000 Ferrer Beltran D23/233
- D437,203 S * 2/2001 Antonucci et al. D8/331
- D438,446 S * 3/2001 Antonucci D8/331
- 6,796,152 B1 * 9/2004 Yu 70/58
- 7,243,960 B2 * 7/2007 Hoshikawa et al. 292/216
- 7,273,340 B2 * 9/2007 Arrez et al. 414/421
- 7,424,813 B2 * 9/2008 Wu, Chien Hung 70/58

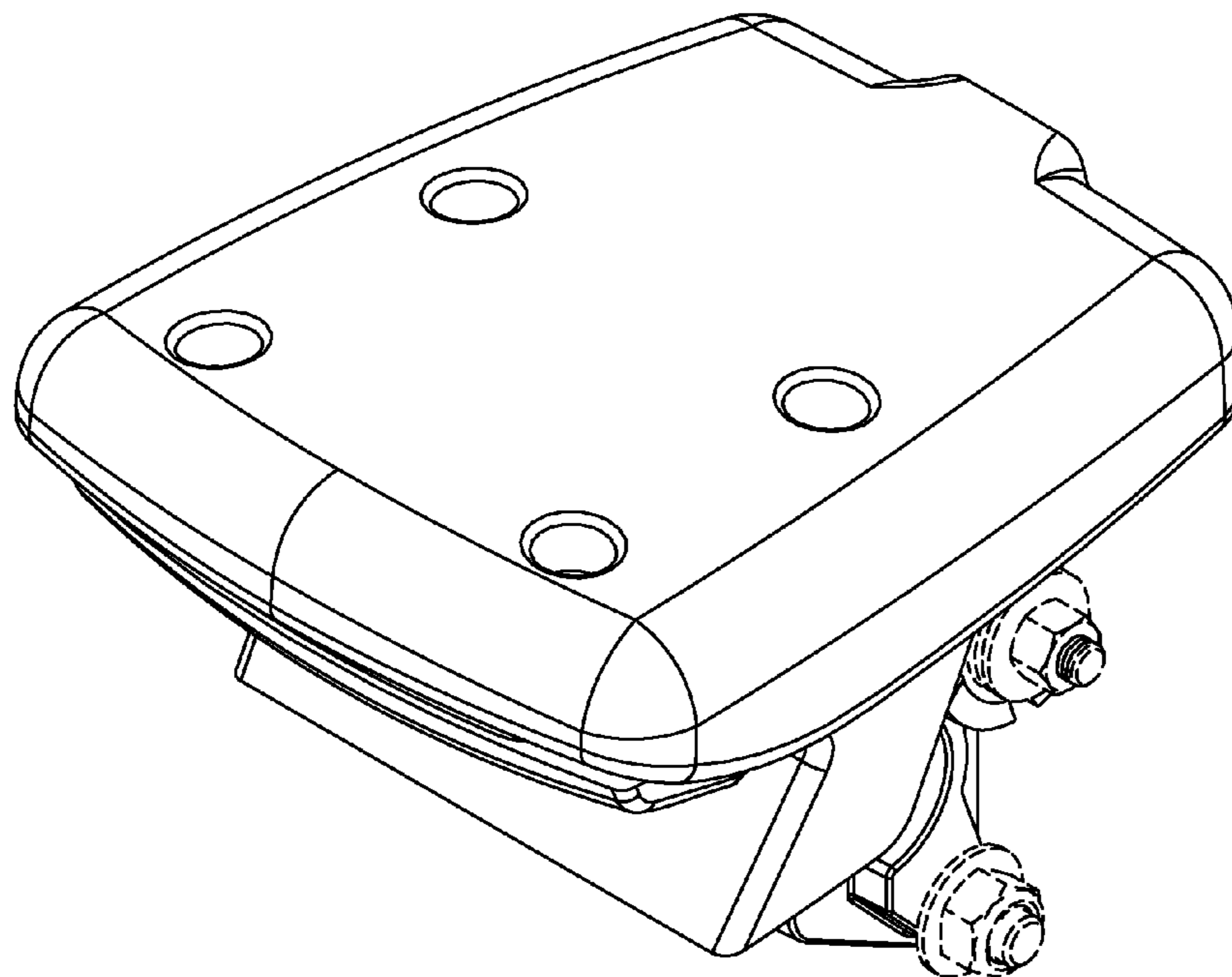
FIG. 6 is a rear view of the latch assembly with release lever depicted in FIGS. 1–5.

FIG. 7 is bottom view of the latch assembly with release lever depicted in FIGS. 1–6; and,

FIG. 8 is a left-front perspective view of the latch assembly with release lever depicted in FIGS. 1–7.

The dashed lines shown in FIGS. 1–8 are illustrative of environment only and form no part of the claimed design.

1 Claim, 8 Drawing Sheets



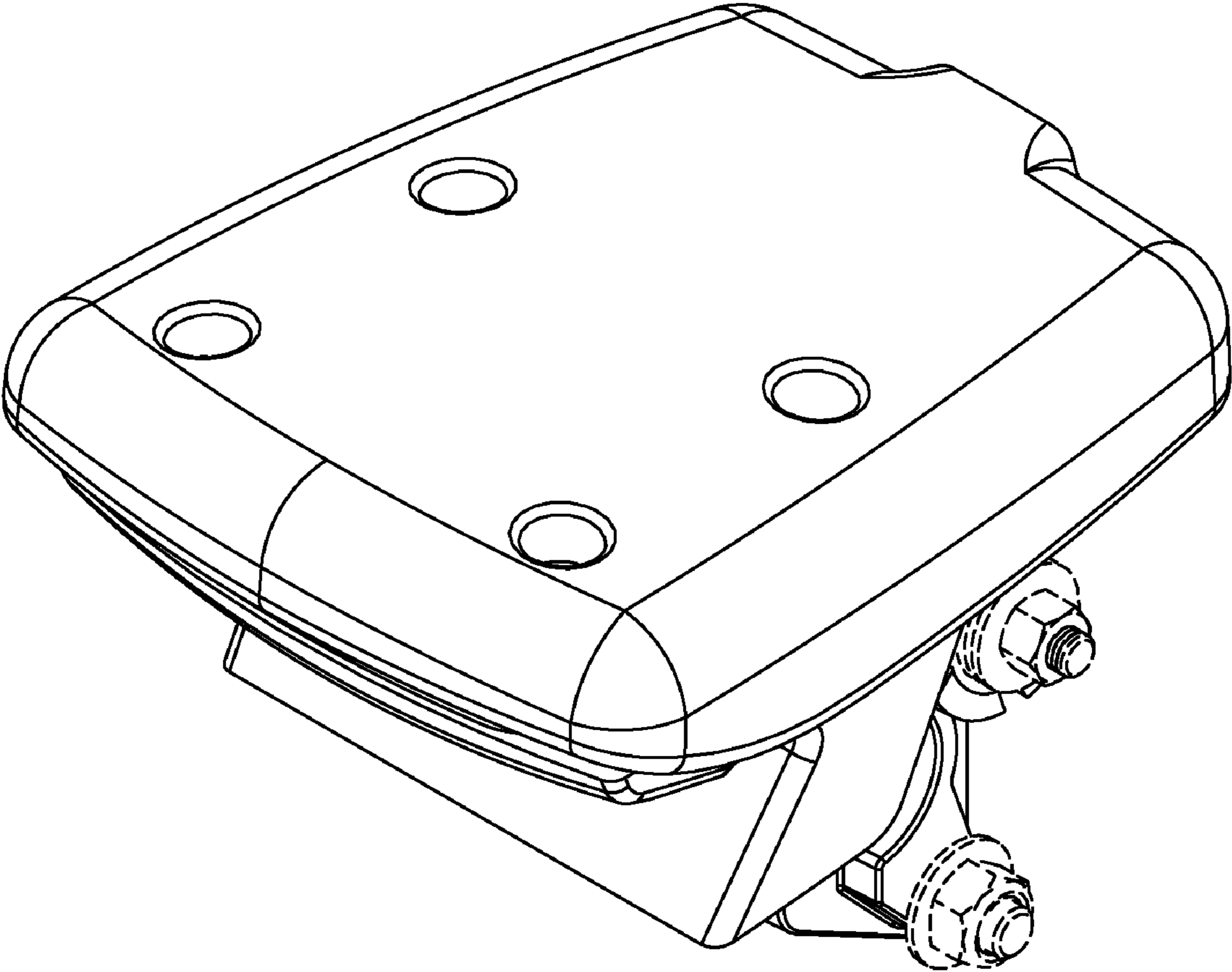


FIG. 1

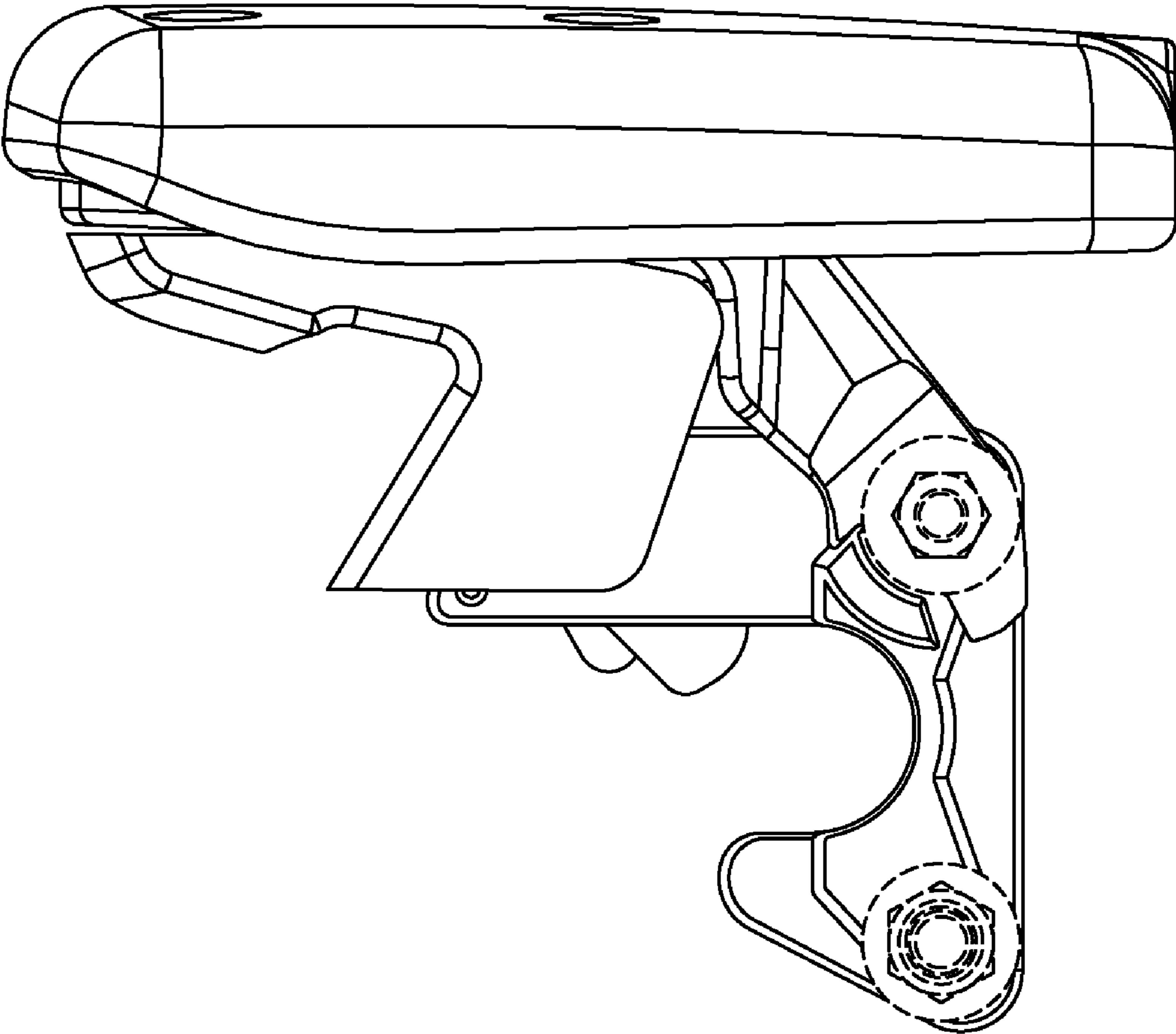


FIG. 2

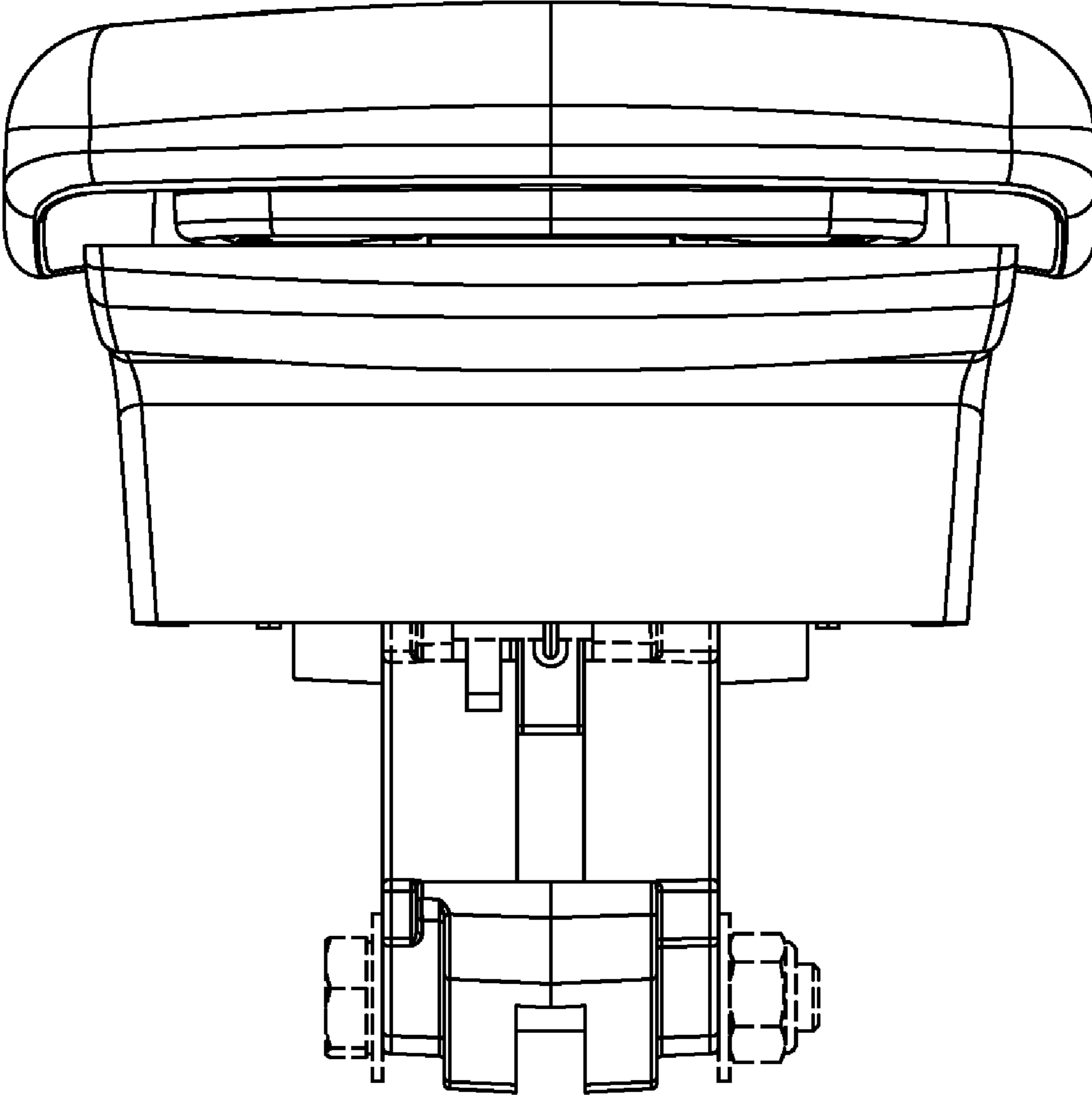


FIG. 3

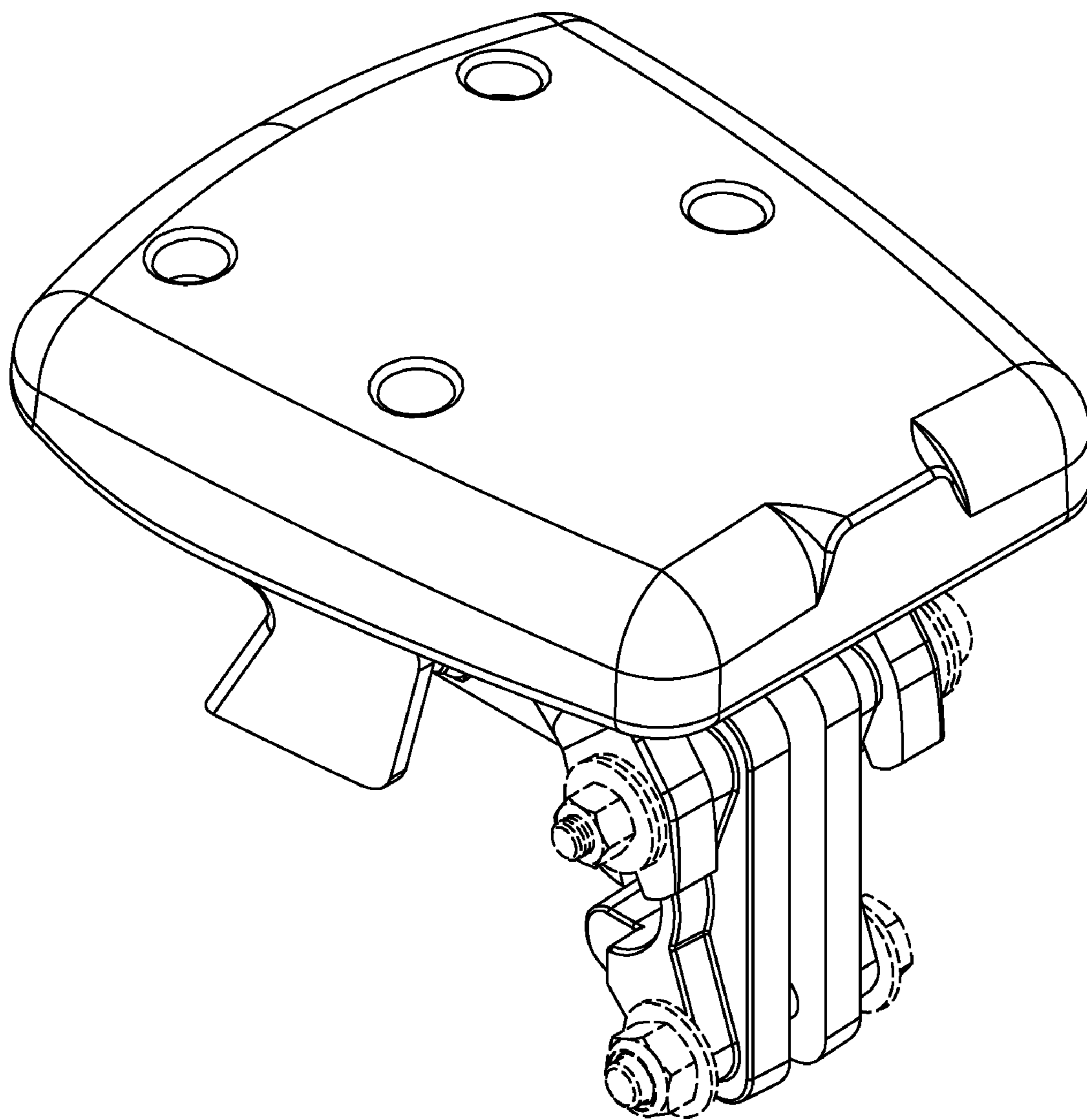


FIG. 4

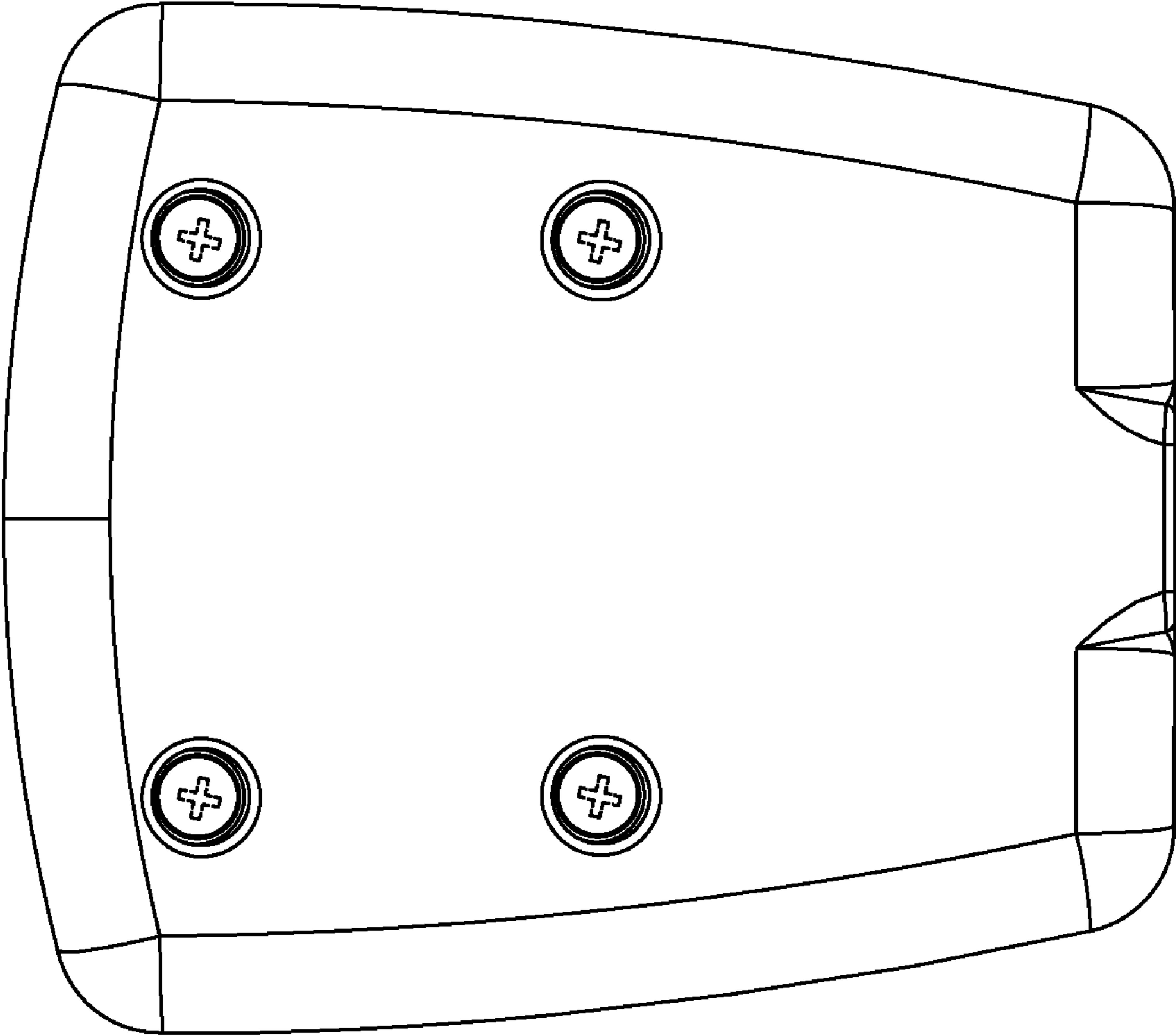


FIG. 5

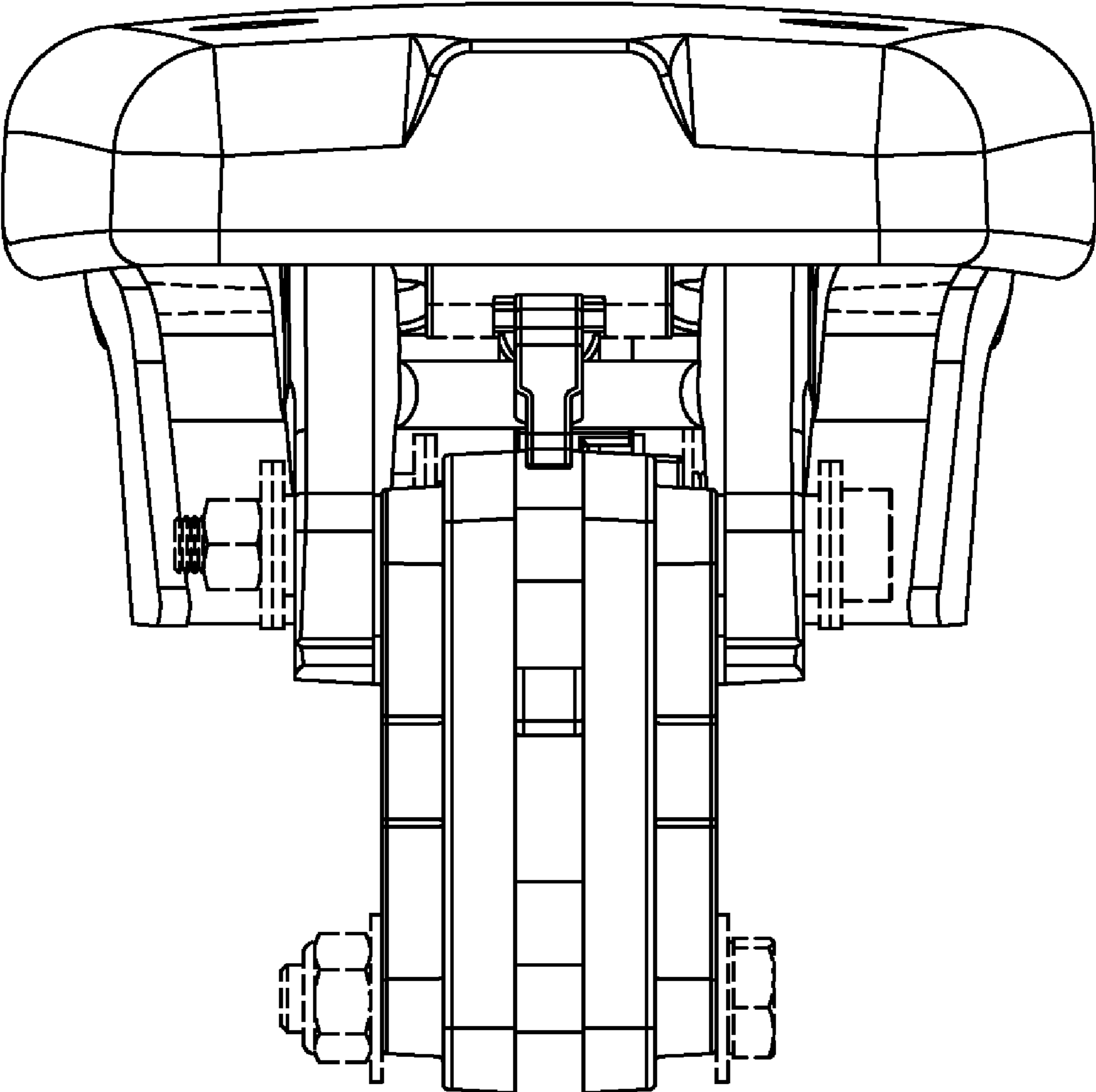


FIG. 6

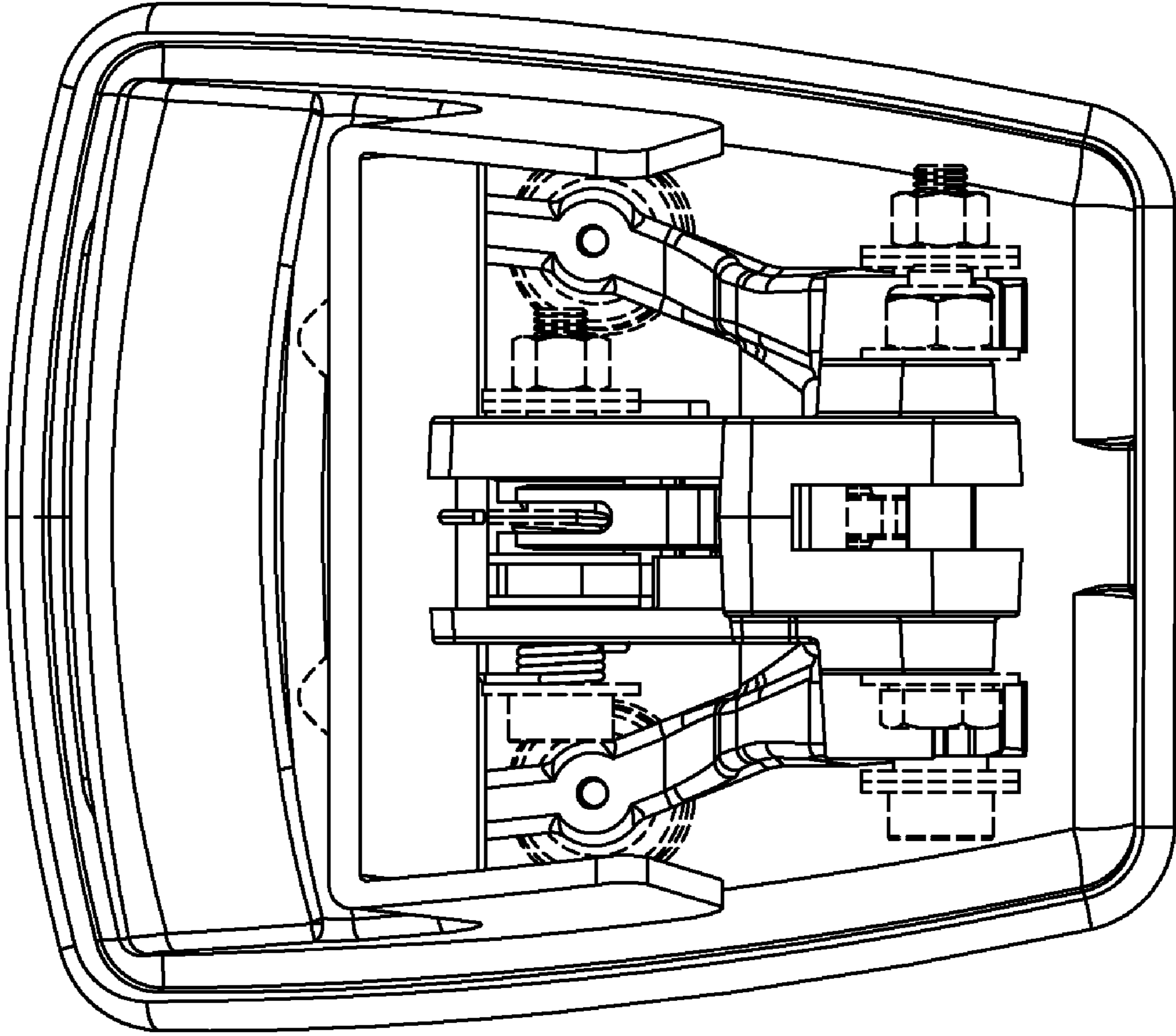


FIG. 7

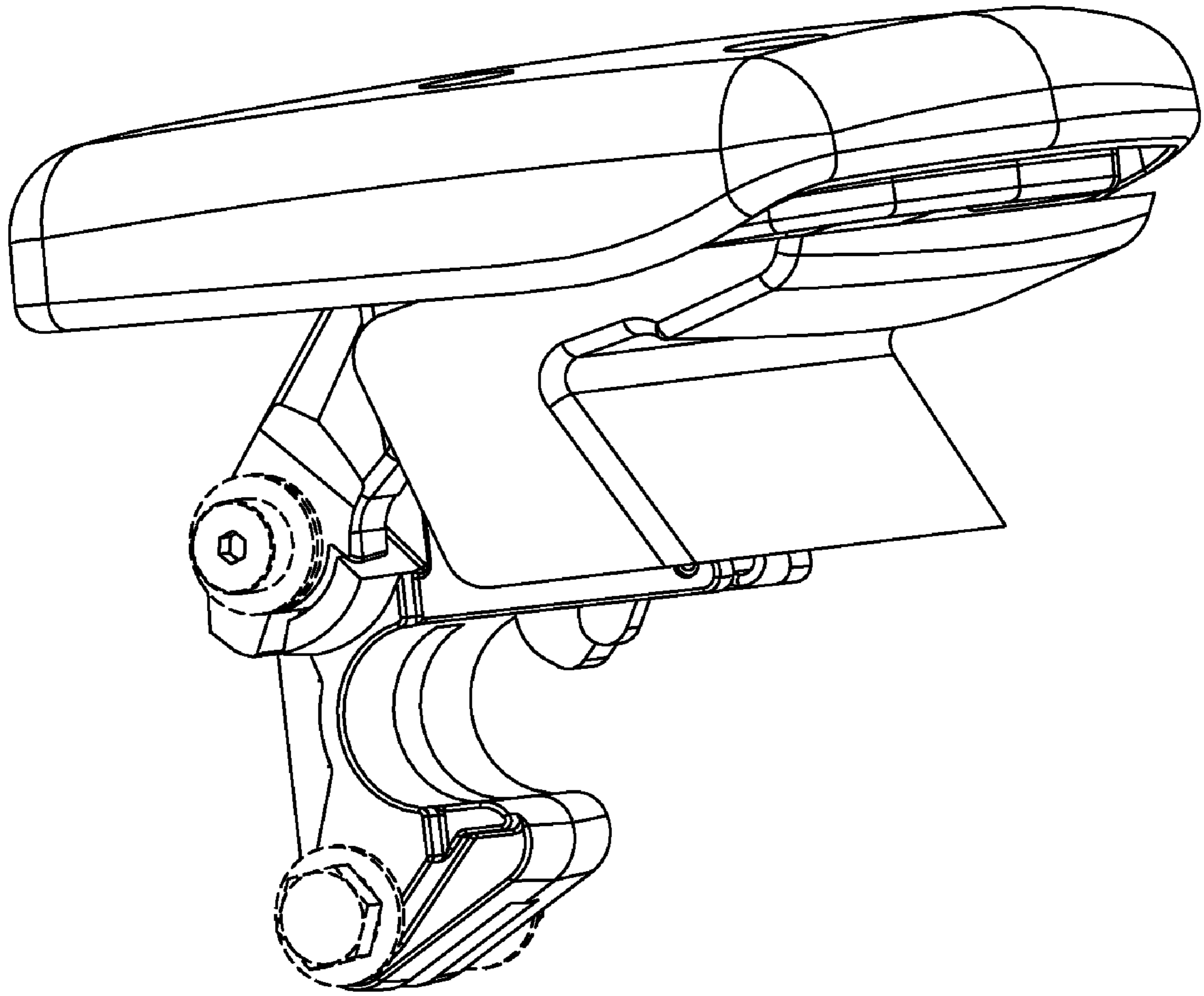


FIG. 8