



US00D603682S

(12) **United States Design Patent**
Brands

(10) **Patent No.:** **US D603,682 S**

(45) **Date of Patent:** **** Nov. 10, 2009**

(54) **FOLDABLE LIGHTED MULTI-PURPOSE TOOL**

(75) Inventor: **David C. Brands**, Portland, OR (US)

(73) Assignee: **Coast Cutlery Co.**, Portland, OR (US)

(**) Term: **14 Years**

(21) Appl. No.: **29/336,875**

(22) Filed: **May 11, 2009**

(51) **LOC (9) Cl.** **08-05**

(52) **U.S. Cl.** **D8/105**

(58) **Field of Classification Search** D8/99,
D8/58, 55, 52, 356, 107, 105; D19/65; 81/440,
81/427.5; 7/160, 138, 128, 118; 30/298.4,
30/162, 161, 155

See application file for complete search history.

(56) **References Cited**

U.S. PATENT DOCUMENTS

D307,383 S *	4/1990	Huang	D8/97
D396,618 S *	8/1998	Swinden et al.	D8/52
D406,509 S *	3/1999	Rivera	D8/55
6,038,735 A *	3/2000	Chang	16/110.1
D440,855 S *	4/2001	Wang	D8/97
D447,039 S *	8/2001	Rivera	D8/105
D467,783 S *	12/2002	Onion	D8/107
D470,031 S *	2/2003	Rivera	D8/107
D497,532 S *	10/2004	Rivera et al.	D8/107
D497,790 S *	11/2004	Rivera et al.	D8/107
D501,127 S *	1/2005	Rivera et al.	D8/107
D546,650 S *	7/2007	Liu	D8/26
D557,100 S *	12/2007	Stokes et al.	D8/105
D573,437 S *	7/2008	Nenadic	D8/105
7,406,896 B2 *	8/2008	Rivera	81/177.4

* cited by examiner

Primary Examiner—Cathron C Brooks

Assistant Examiner—Austin Murphy

(74) *Attorney, Agent, or Firm*—Kolisch Hartwell, P.C.

(57) **CLAIM**

I claim the ornamental design for a foldable lighted multi-purpose tool, as shown and described.

DESCRIPTION

FIG. 1 is a perspective view of a foldable lighted multi-purpose tool, showing the front, bottom, and right side of the tool, with the tool in a folded configuration.

FIG. 2 is a front elevation view of the multi-purpose tool of FIG. 1.

FIG. 3 is a rear elevation view of the multi-purpose tool of FIG. 1.

FIG. 4 is another front elevation view of the multi-purpose tool of FIG. 1, with the multi-purpose tool in an unfolded configuration.

FIG. 5 is a right elevation view of the multi-purpose tool of FIG. 1.

FIG. 6 is a left elevation view of the multi-purpose tool of FIG. 1.

FIG. 7 is a top plan view of the multi-purpose tool of FIG. 1.

FIG. 8 is a bottom plan view of the multi-purpose tool of FIG. 1.

FIG. 9 is a perspective view of a second embodiment of a foldable lighted multi-purpose tool, showing the front, top, and right side of the tool, with the multi-purpose tool in a folded configuration.

FIG. 10 is a front elevation view of the multi-purpose tool of FIG. 9.

FIG. 11 is a rear elevation view of the multi-purpose tool of FIG. 9.

FIG. 12 is another front elevation view of the multi-purpose tool of FIG. 9, with the multi-purpose tool in an unfolded configuration.

FIG. 13 is a right elevation view of the multi-purpose tool of FIG. 9.

FIG. 14 is a left elevation view of the multi-purpose tool of FIG. 9.

FIG. 15 is a top plan view of the multi-purpose tool of FIG. 9.

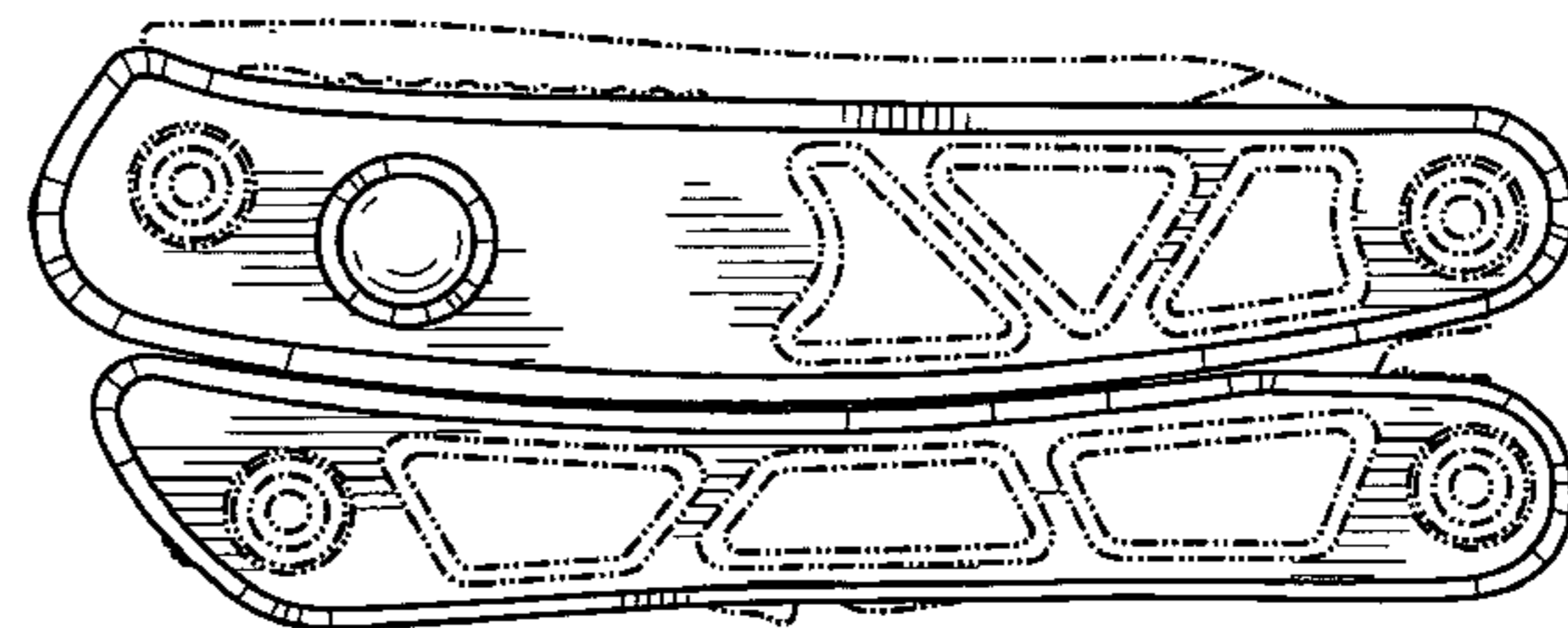
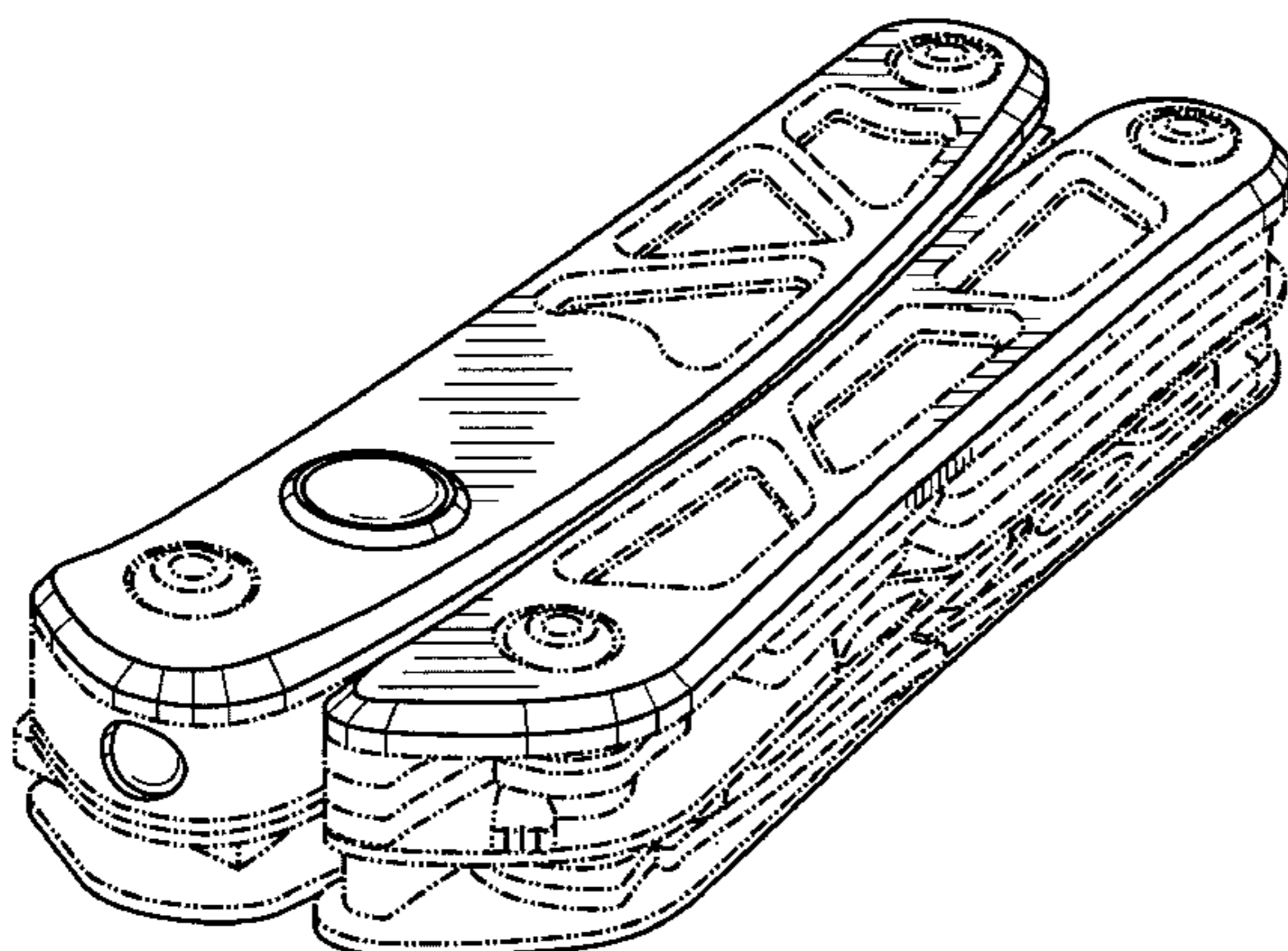


FIG. 16 is a bottom plan view of the multi-purpose tool of FIG. 9.

FIG. 17 is a perspective view of a third embodiment of a foldable lighted multi-purpose tool, showing the front, bottom, and right side of the tool, with the tool in a folded configuration.

FIG. 18 is a perspective view of the multi-purpose tool of FIG. 17, showing the front, top, and right side of the tool.

FIG. 19 is a front elevation view of the multi-purpose tool of FIG. 17.

FIG. 20 is a rear elevation view of the multi-purpose tool of FIG. 17.

FIG. 21 is another front elevation view of the multi-purpose tool of FIG. 17, with the multi-purpose tool in an unfolded configuration.

FIG. 22 is a right elevation view of the multi-purpose tool of FIG. 17.

FIG. 23 is a left elevation view of the multi-purpose tool of FIG. 17.

FIG. 24 is a top plan view of the multi-purpose tool of FIG. 17; and,

FIG. 25 is a bottom plan view of the multi-purpose tool of FIG. 17.

The broken lines shown in the drawings represent unclaimed portions of the foldable lighted multi-purpose tool and form no part of the claimed design.

The shading lines shown on the claimed surfaces of the design represent surface shading and contour lines and are not surface decoration.

1 Claim, 10 Drawing Sheets

Fig. 1

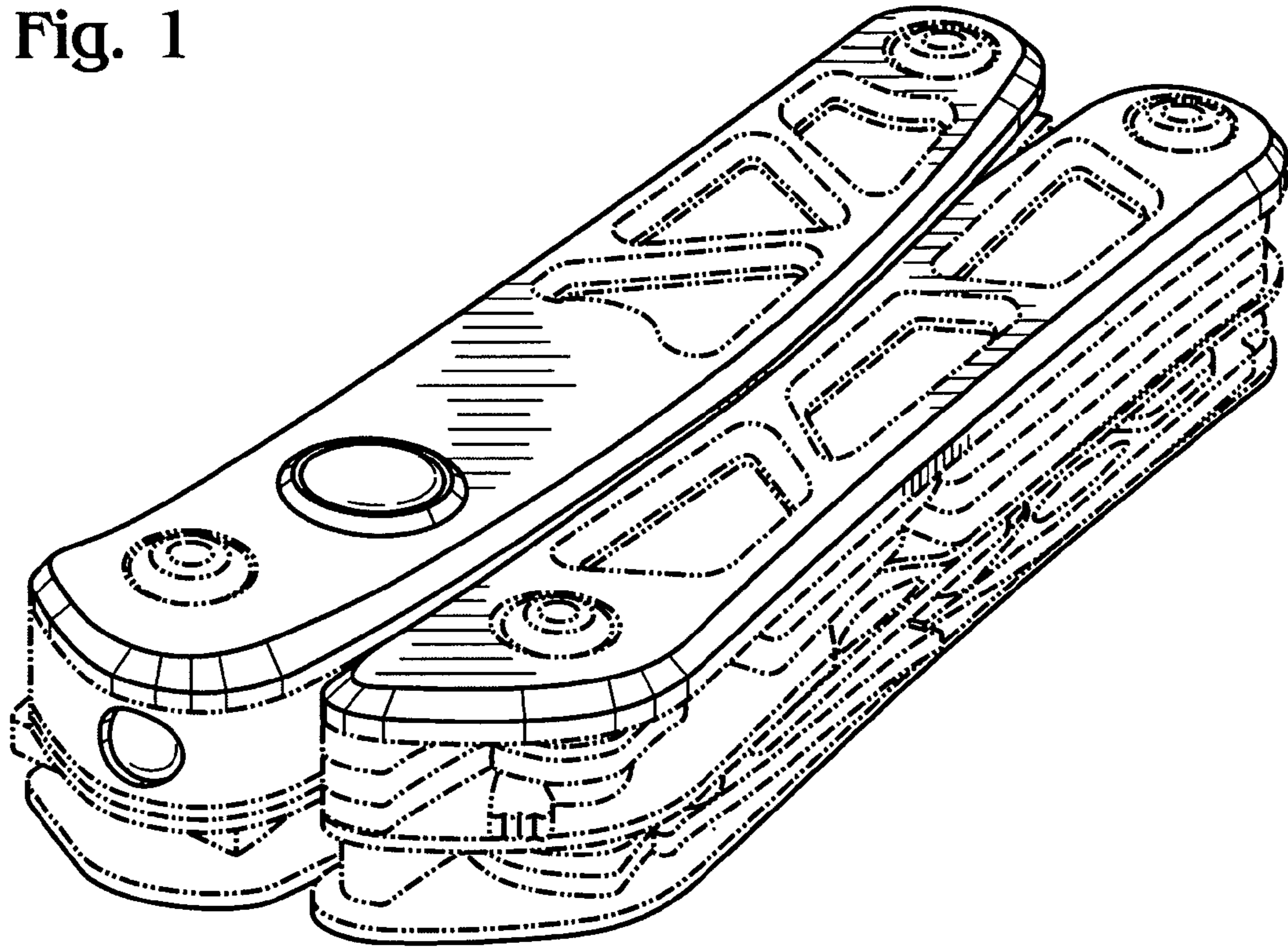


Fig. 2

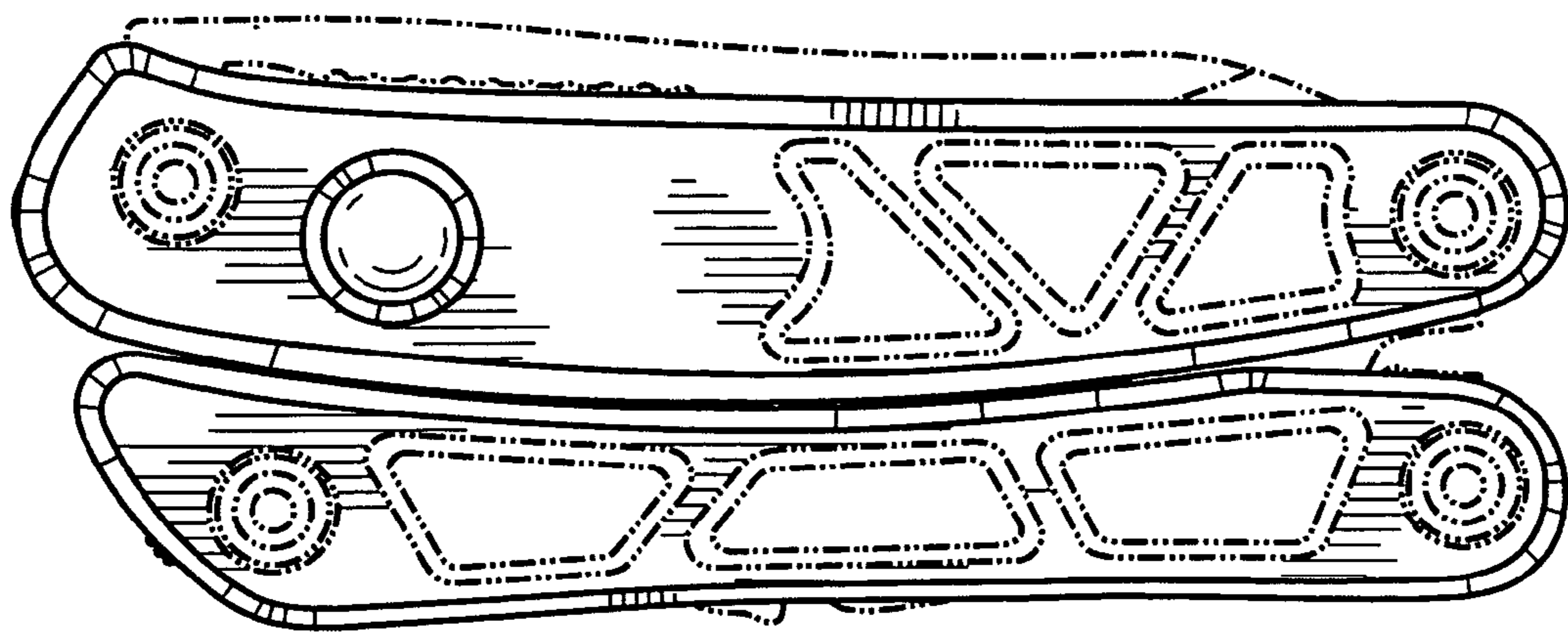


Fig. 3

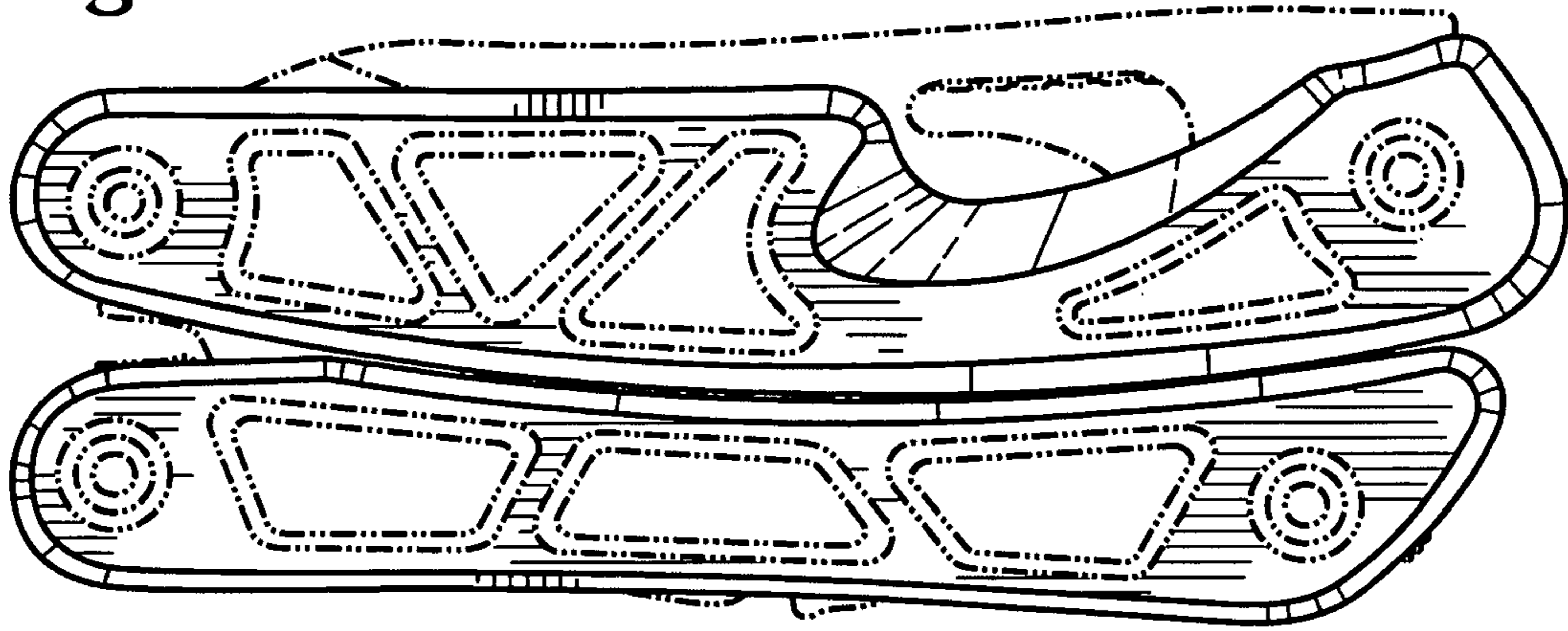


Fig. 4

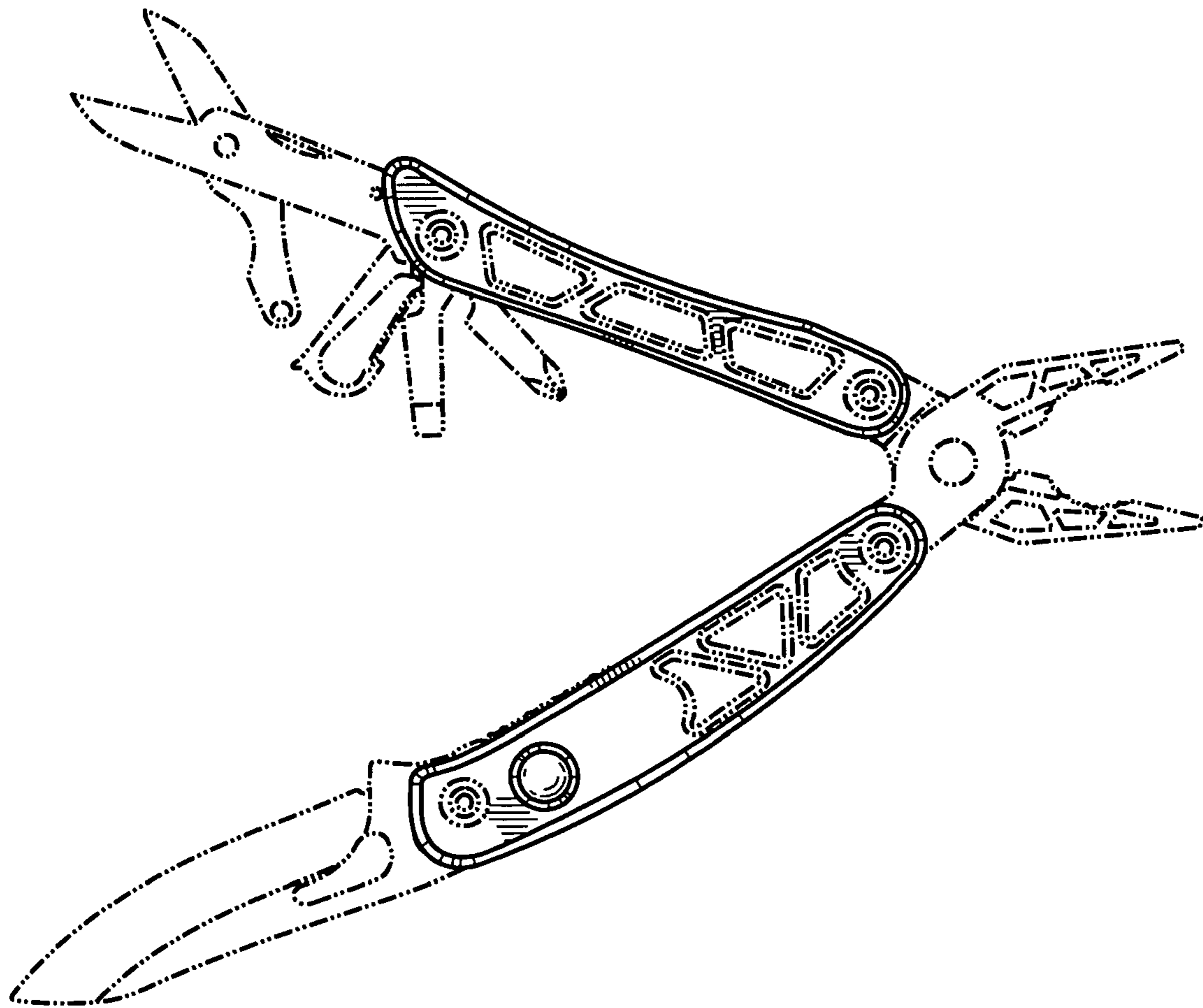


Fig. 5

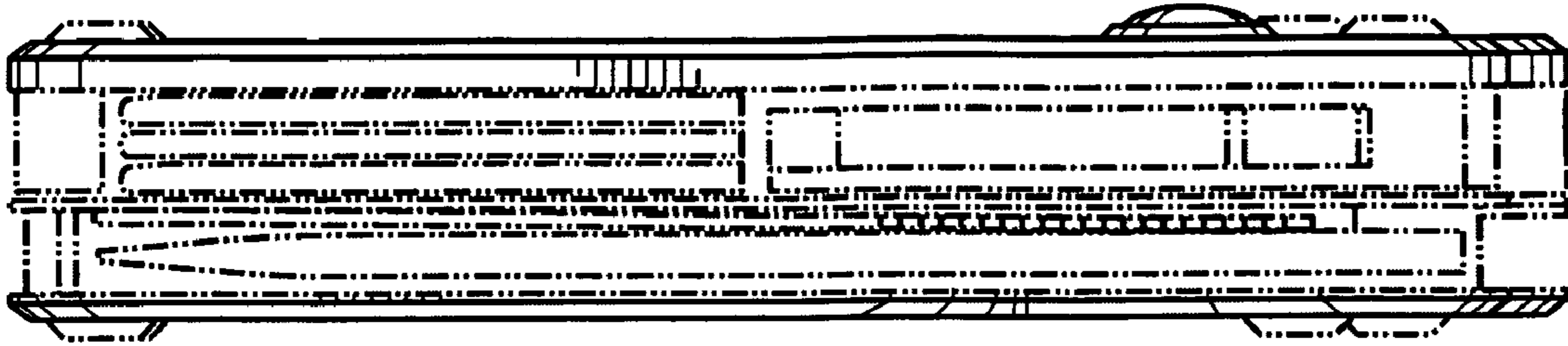


Fig. 6

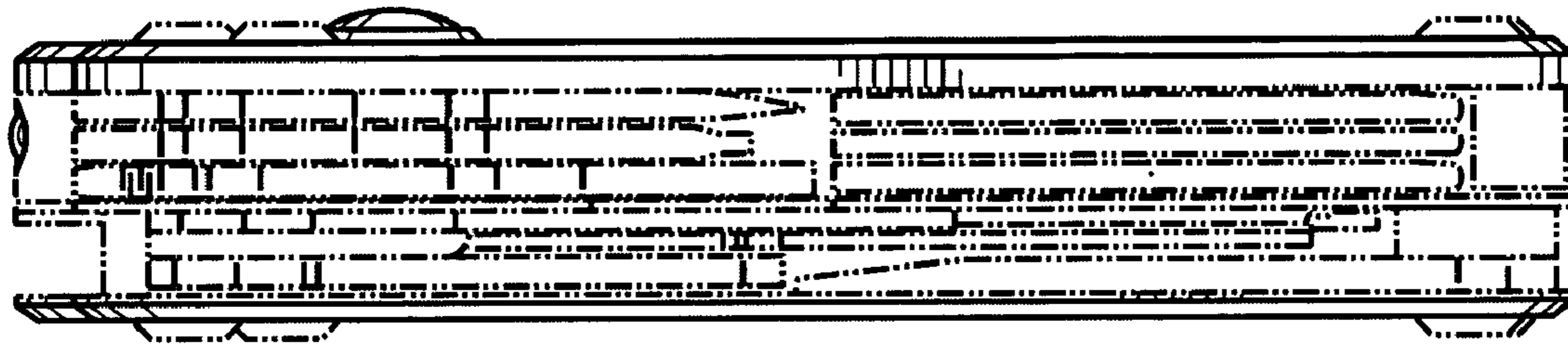


Fig. 7

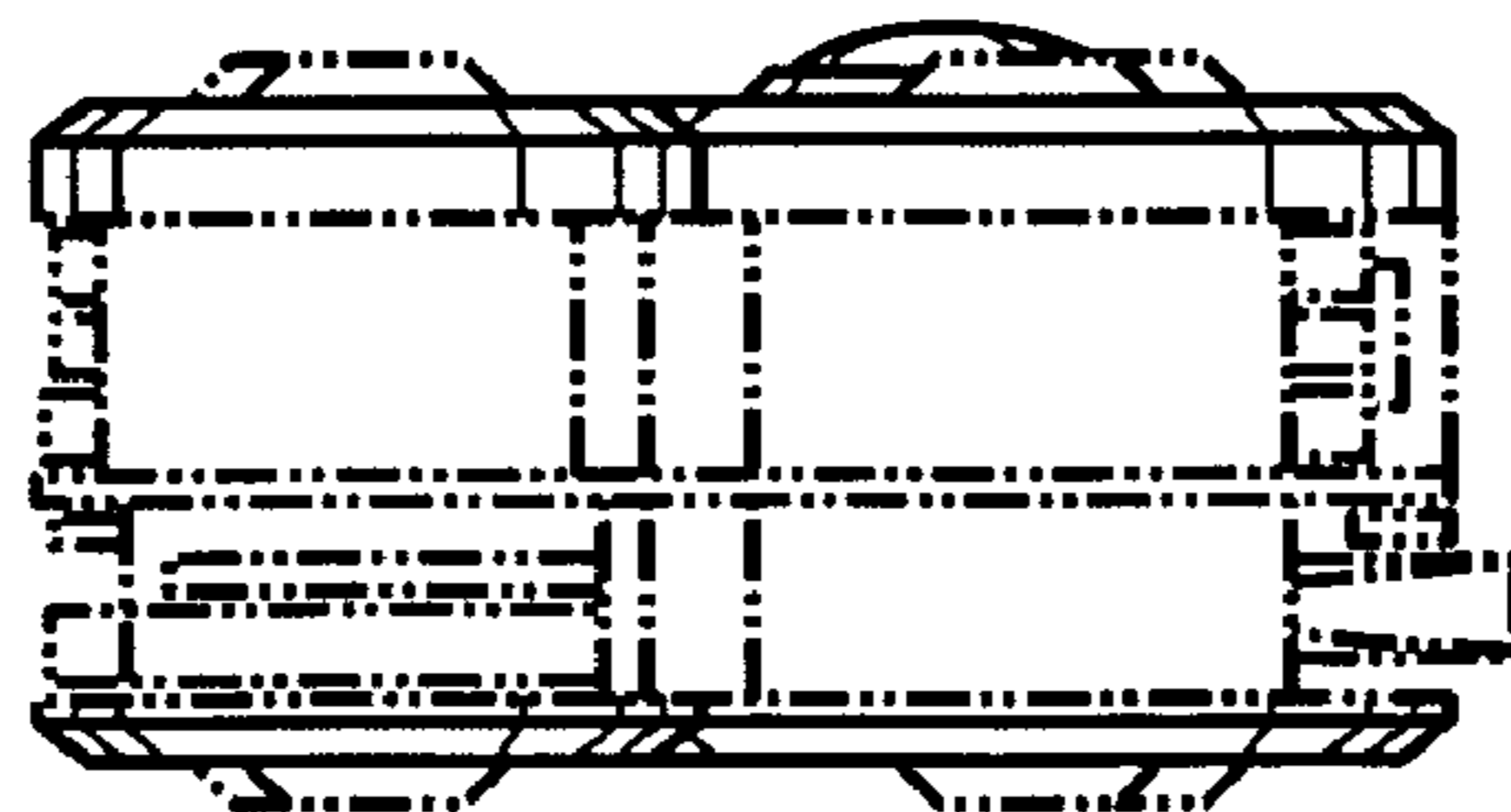


Fig. 8

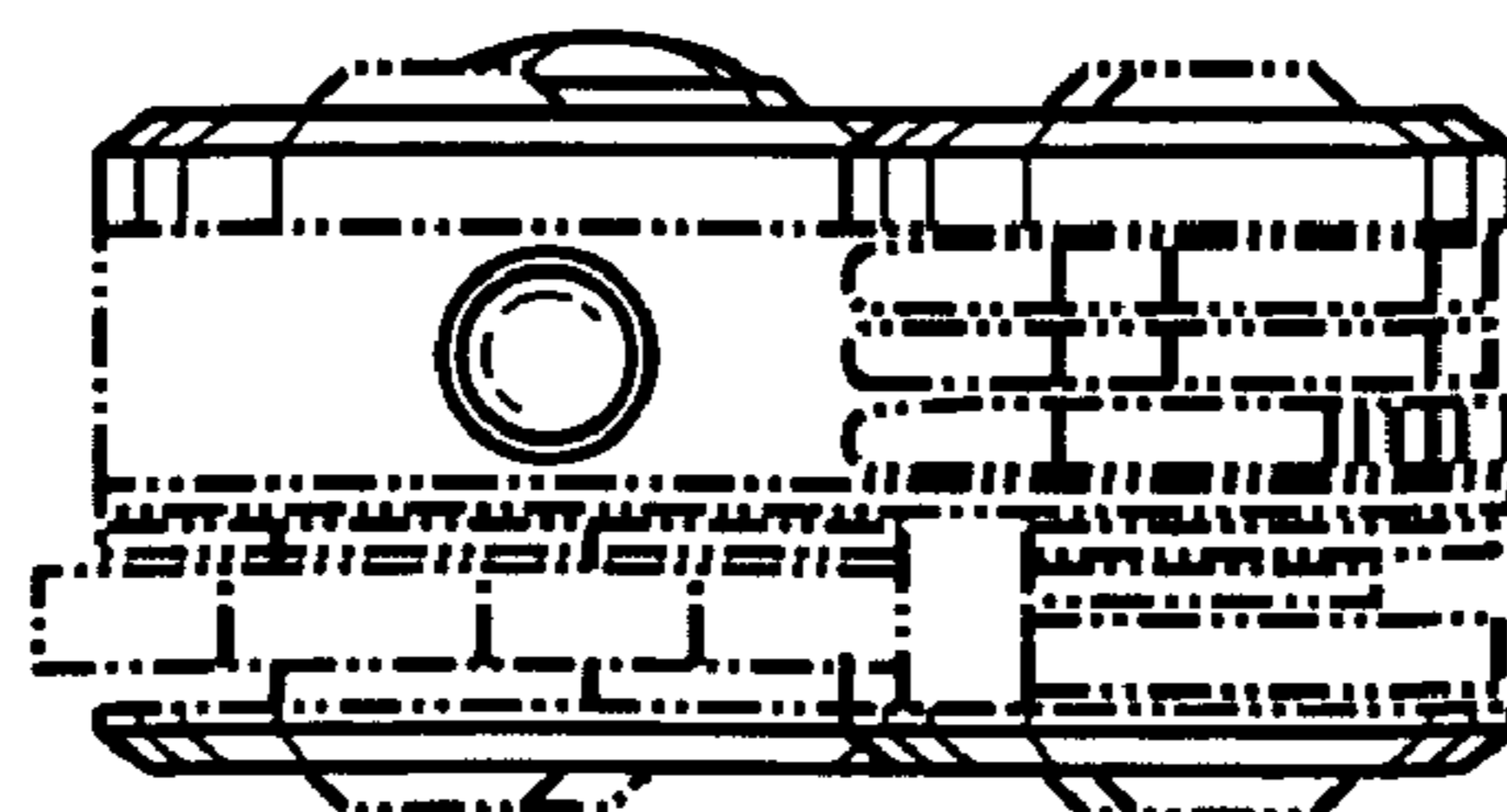


Fig. 9

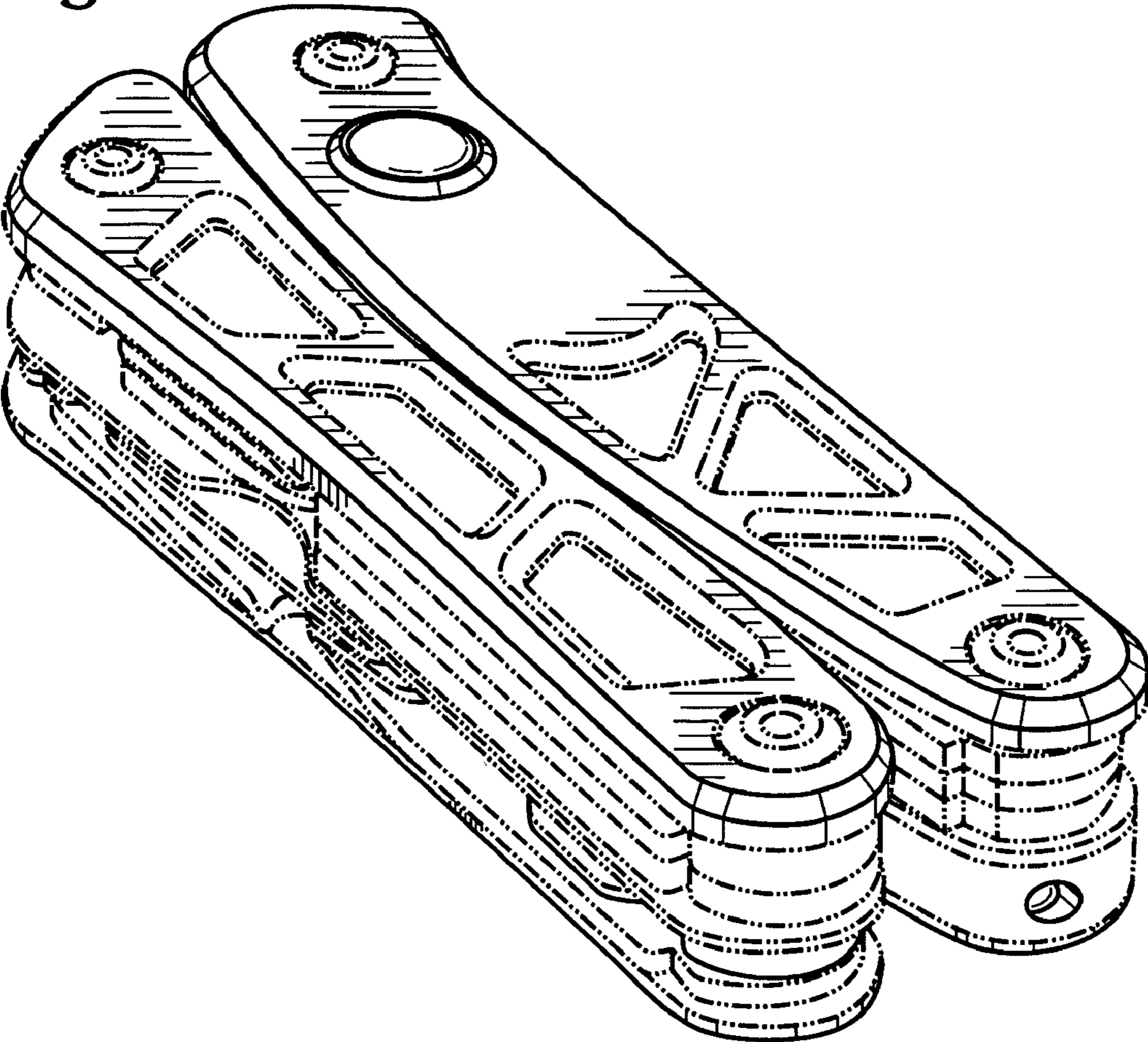


Fig. 10

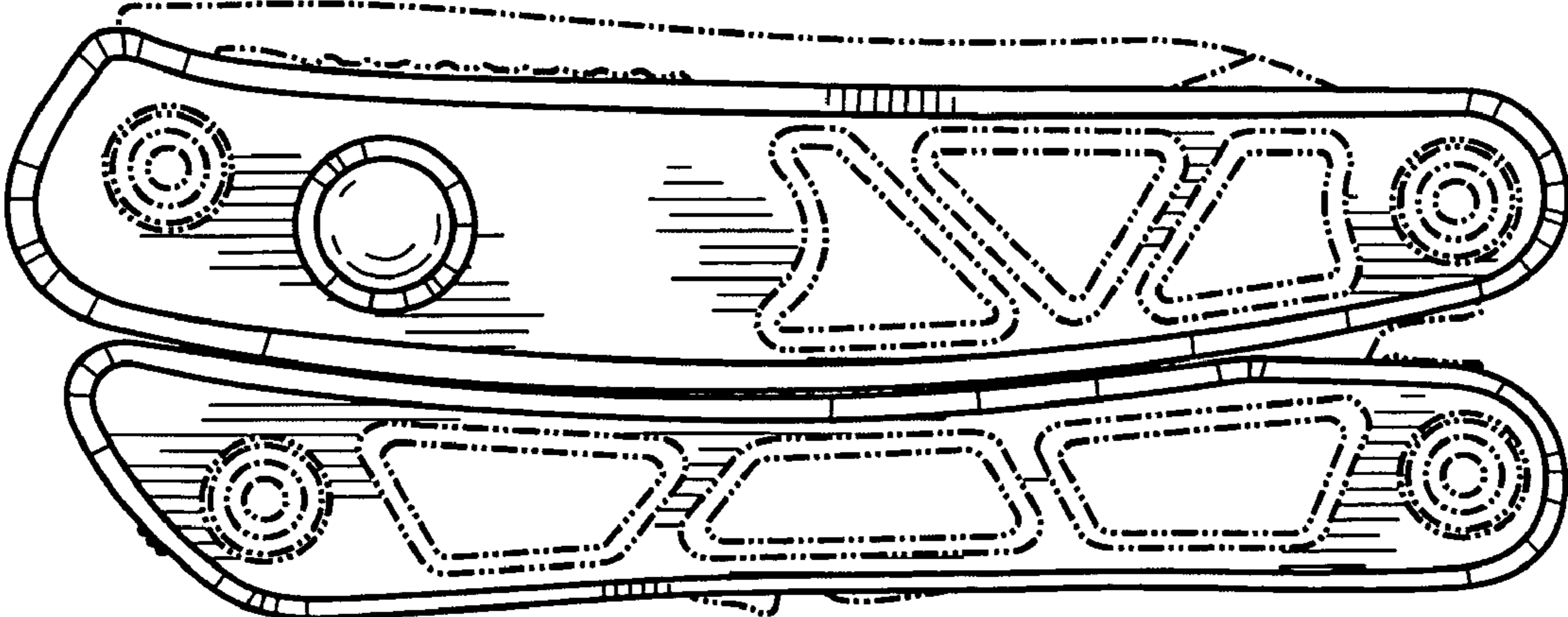


Fig. 11

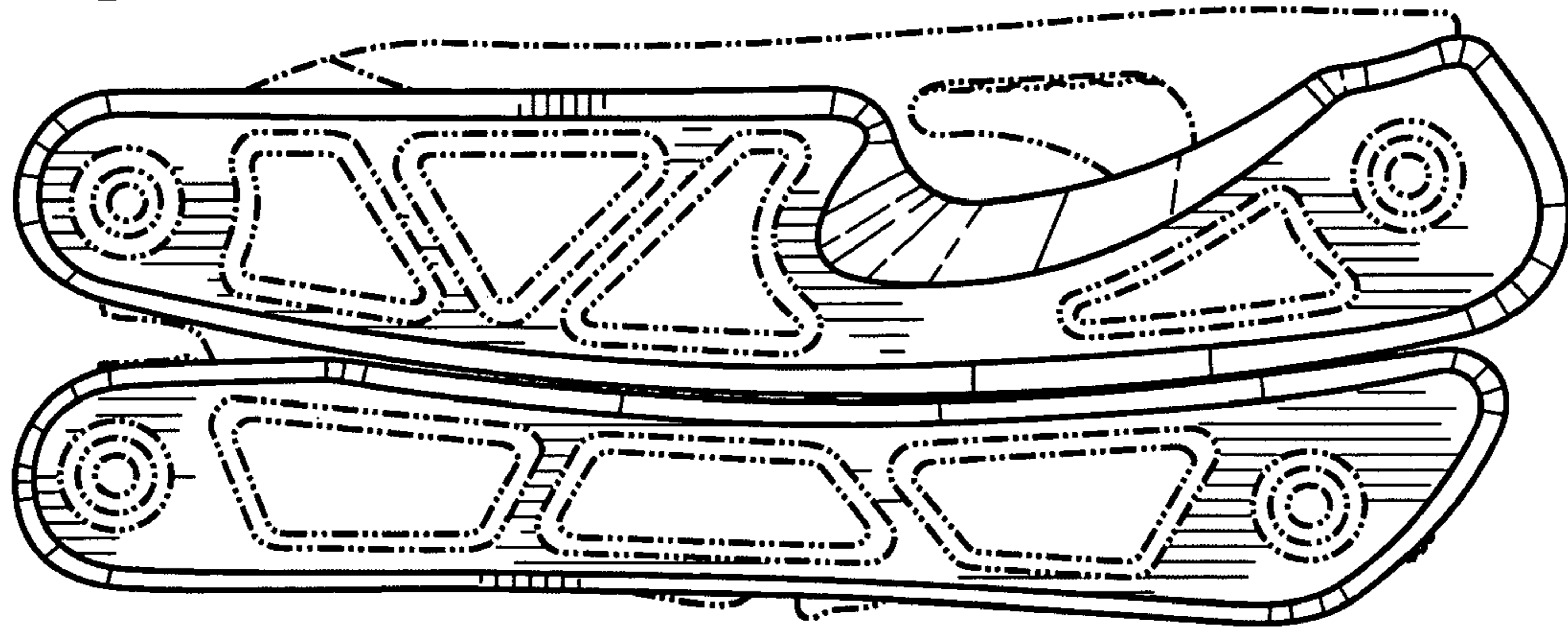


Fig. 12

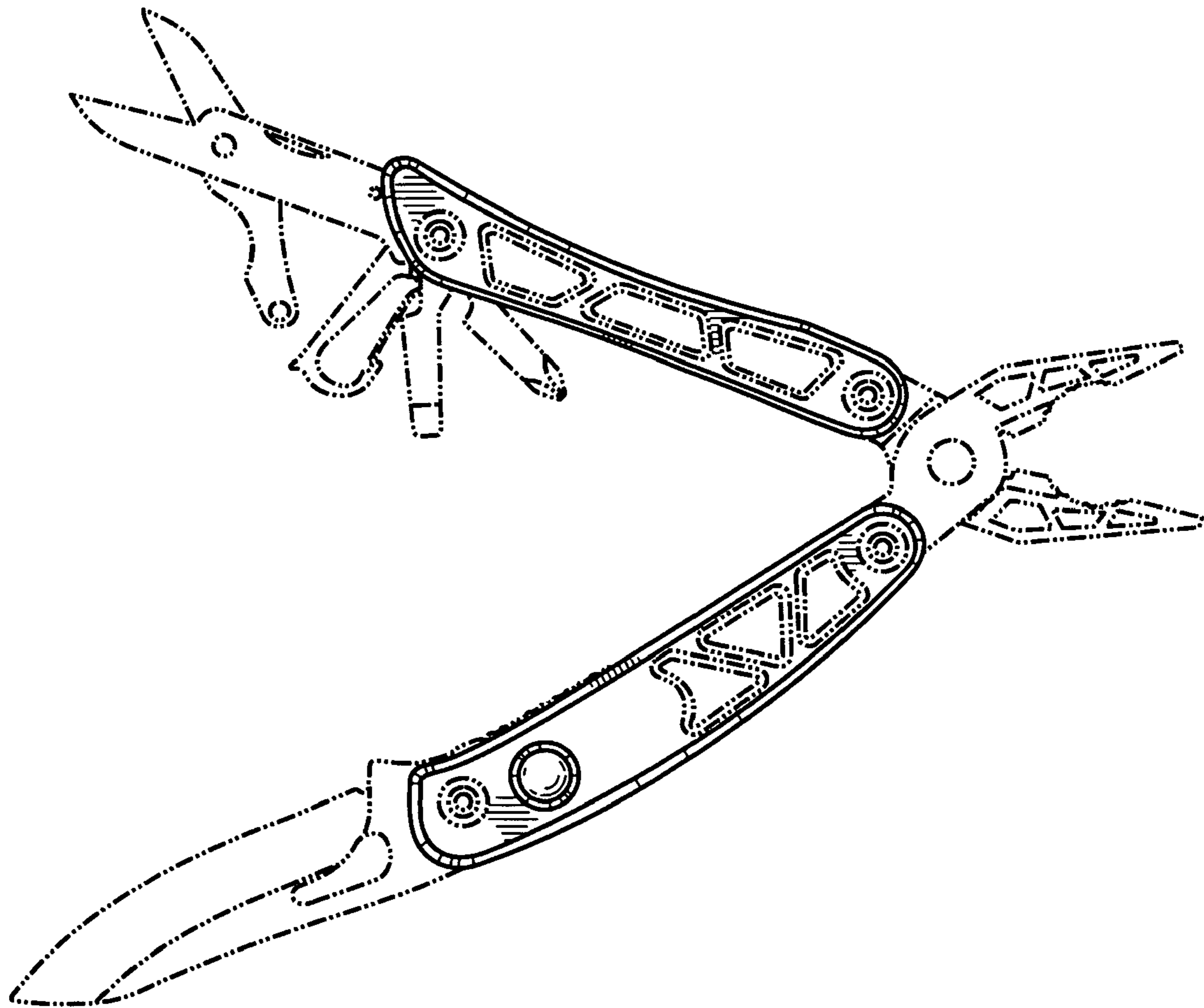


Fig. 13

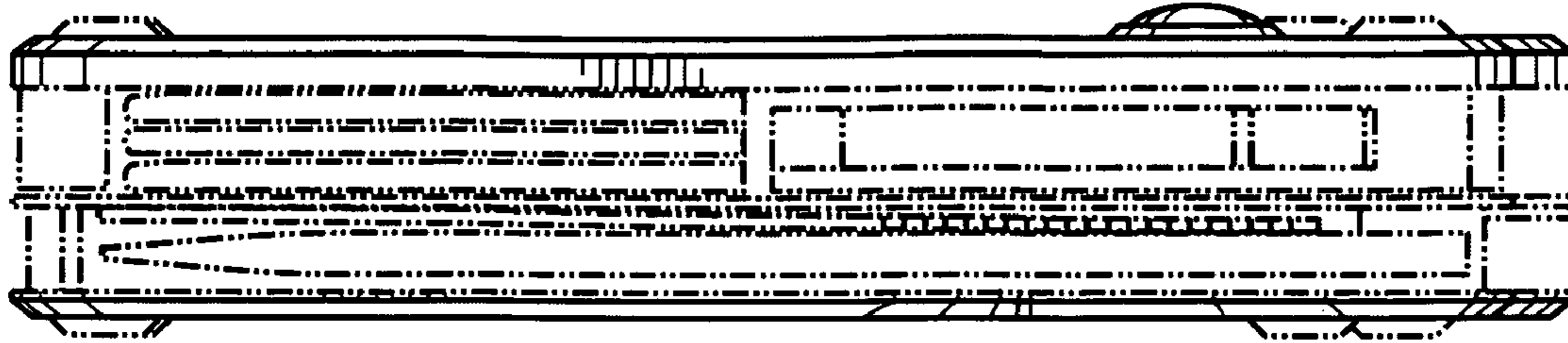


Fig. 14

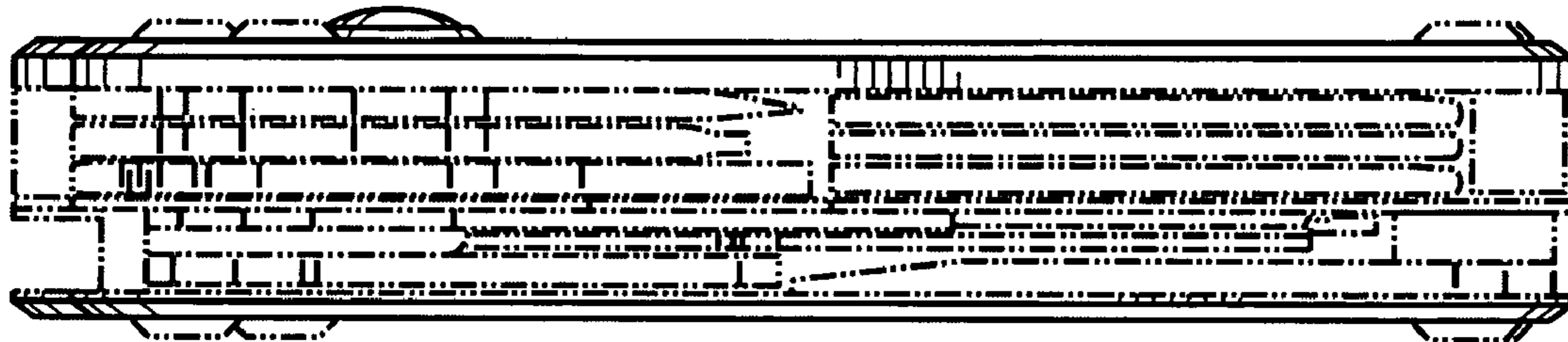


Fig. 15

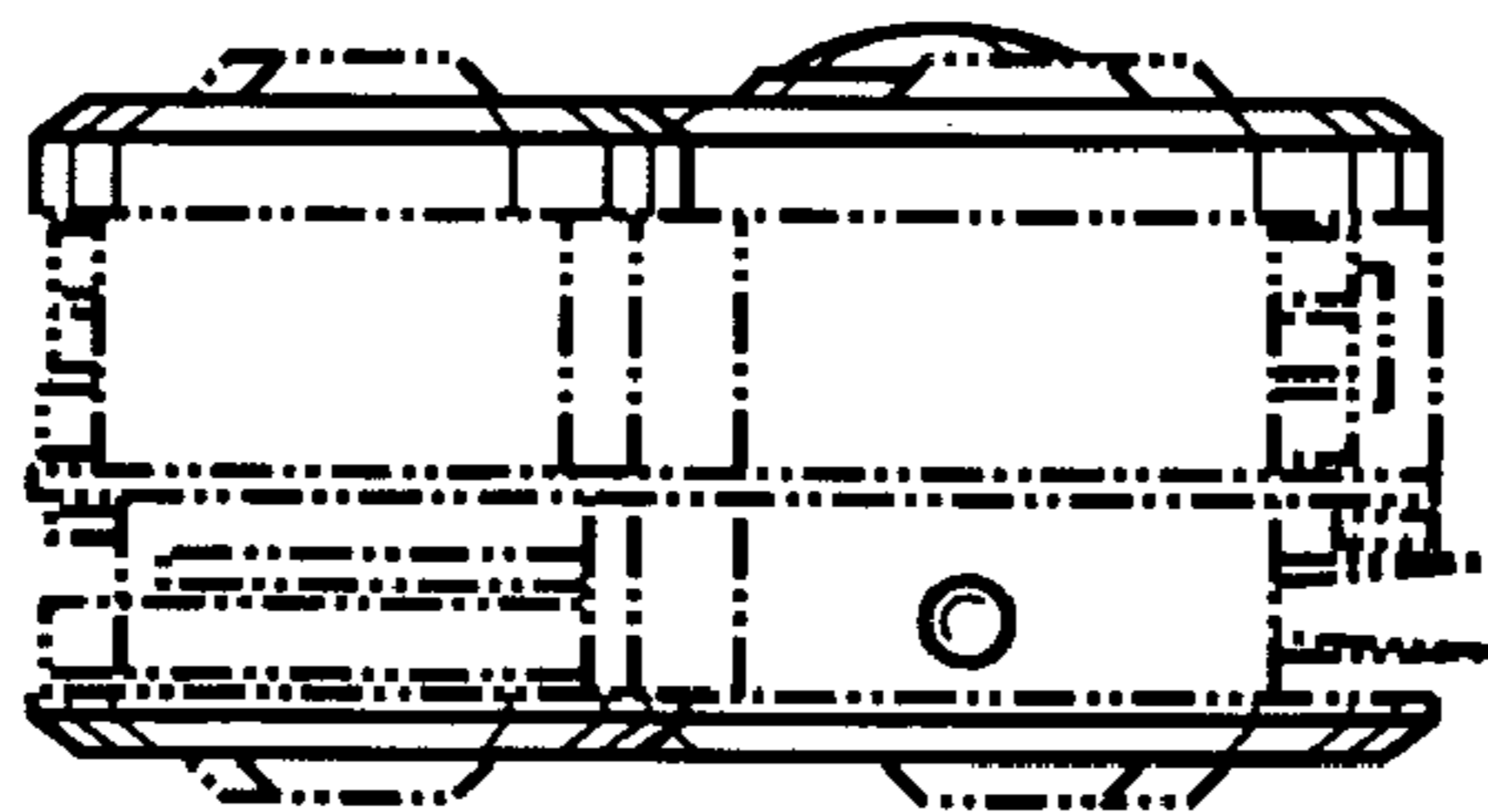


Fig. 16

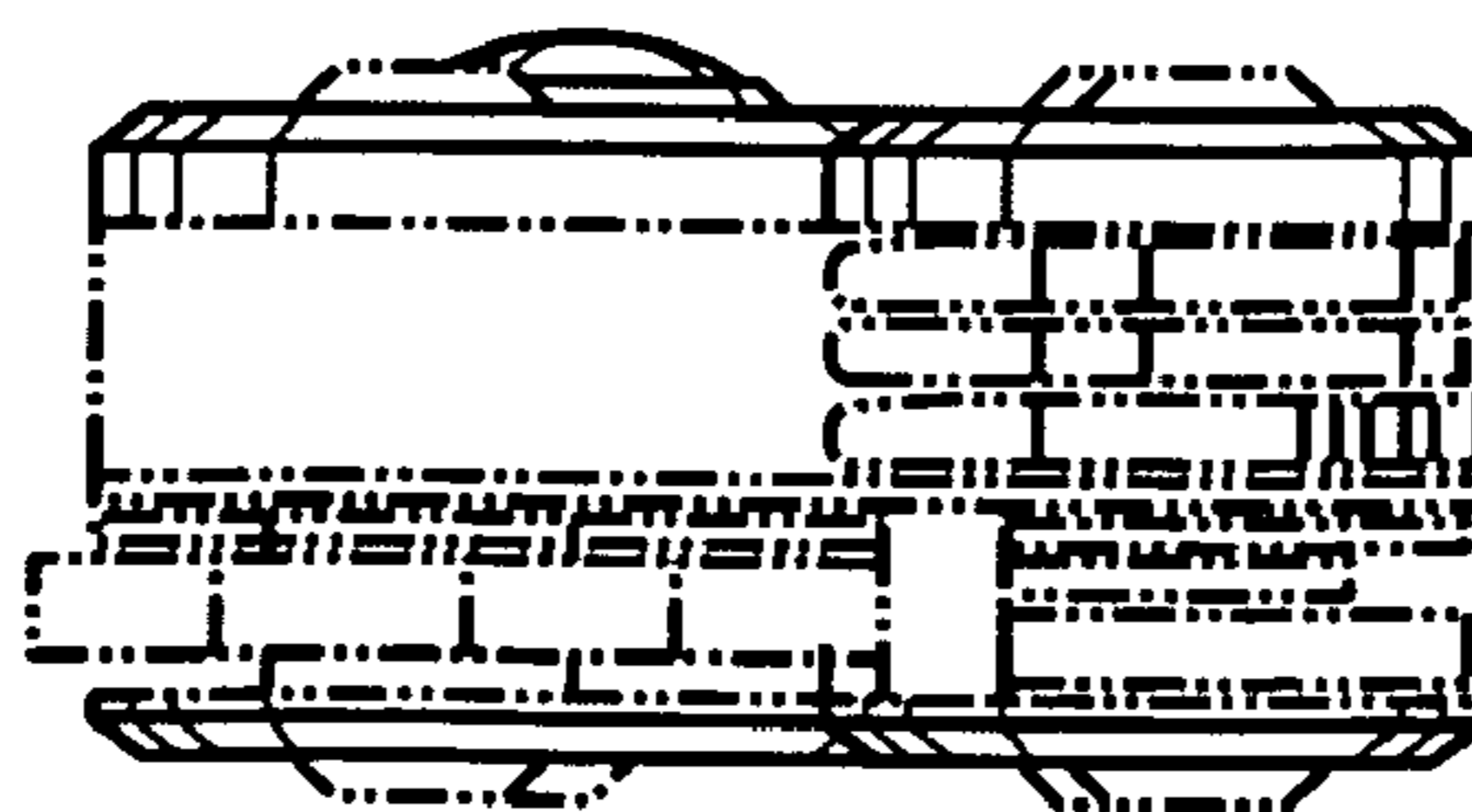


Fig. 17

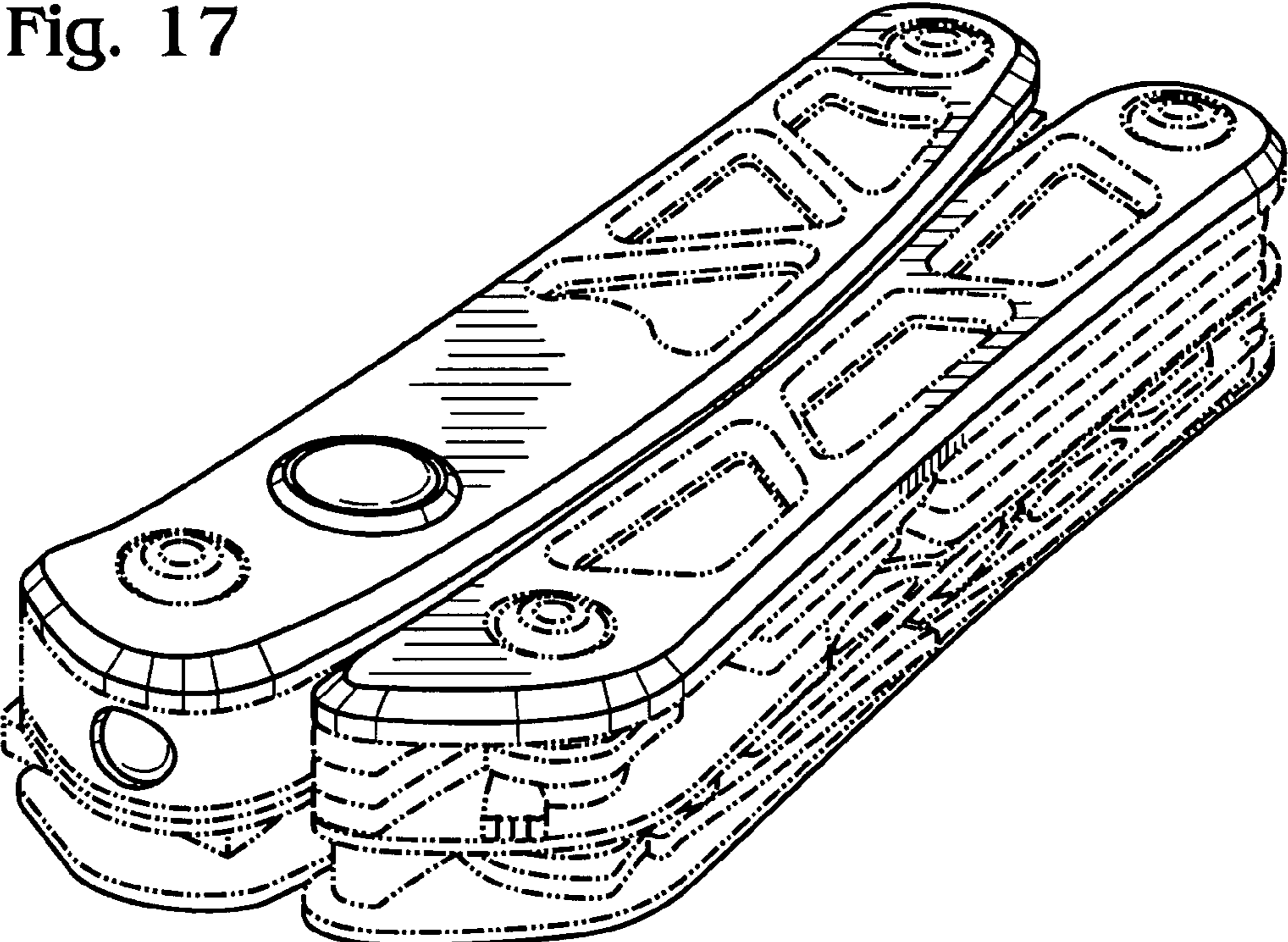


Fig. 18

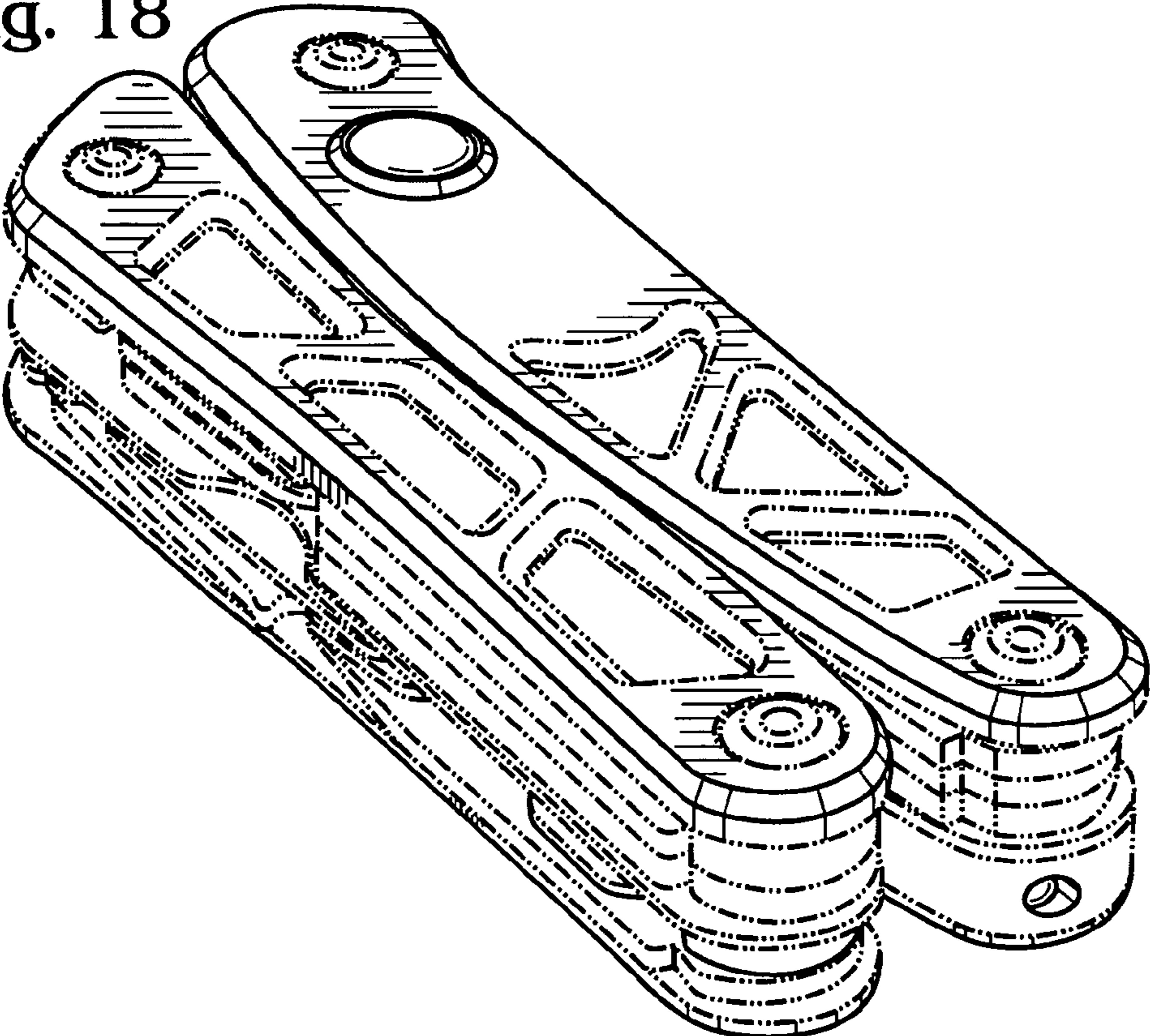


Fig. 19

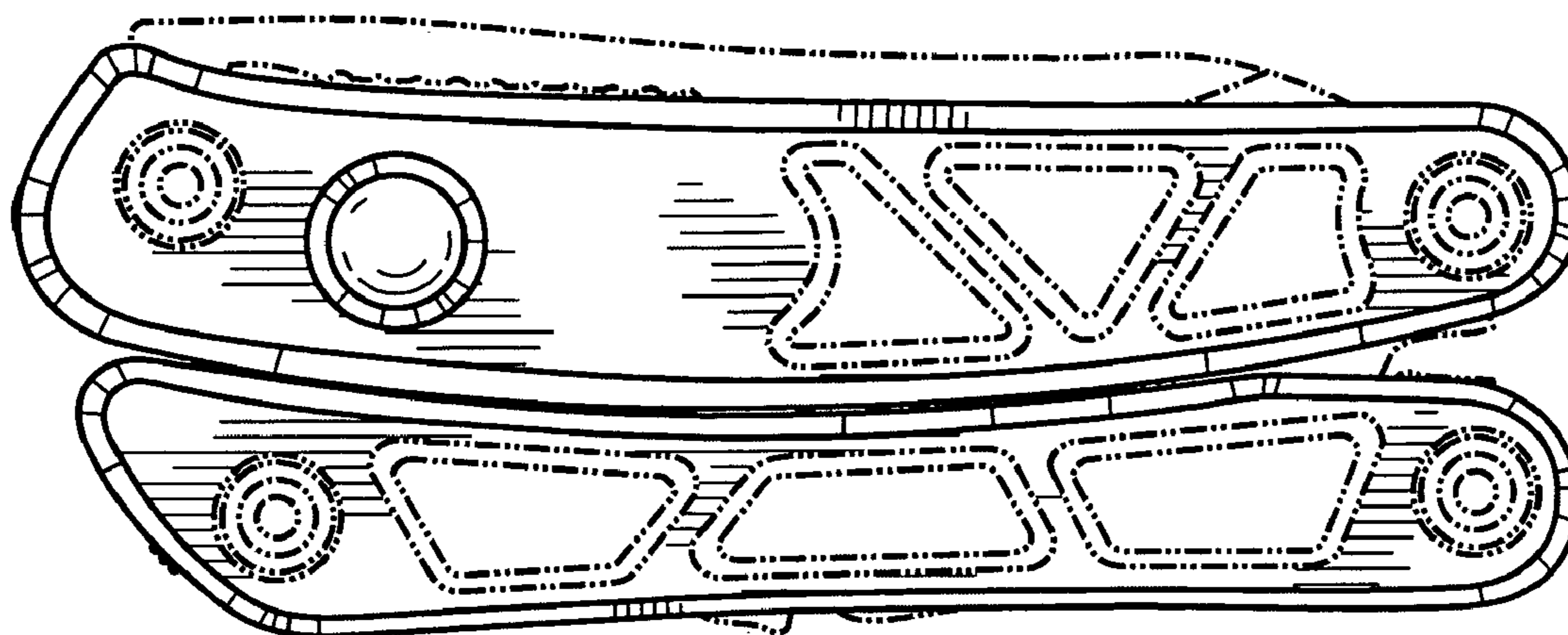


Fig. 20

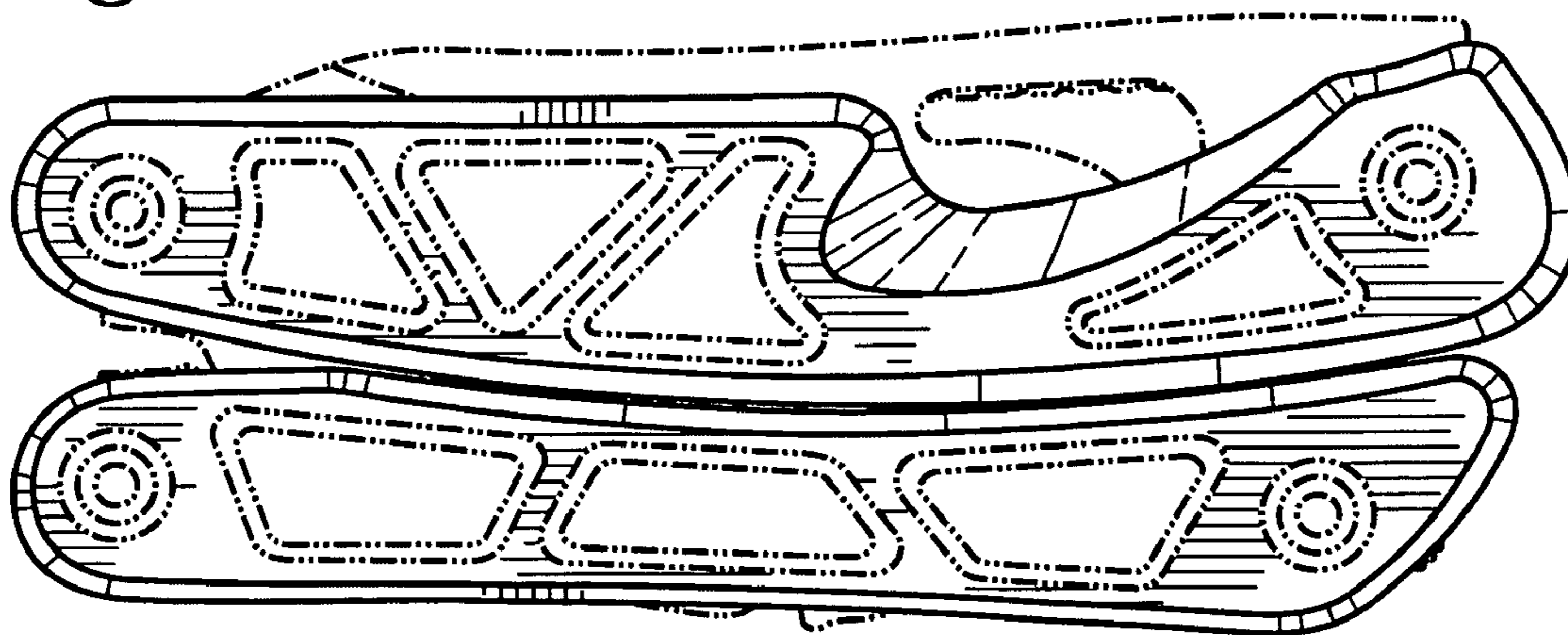


Fig. 21

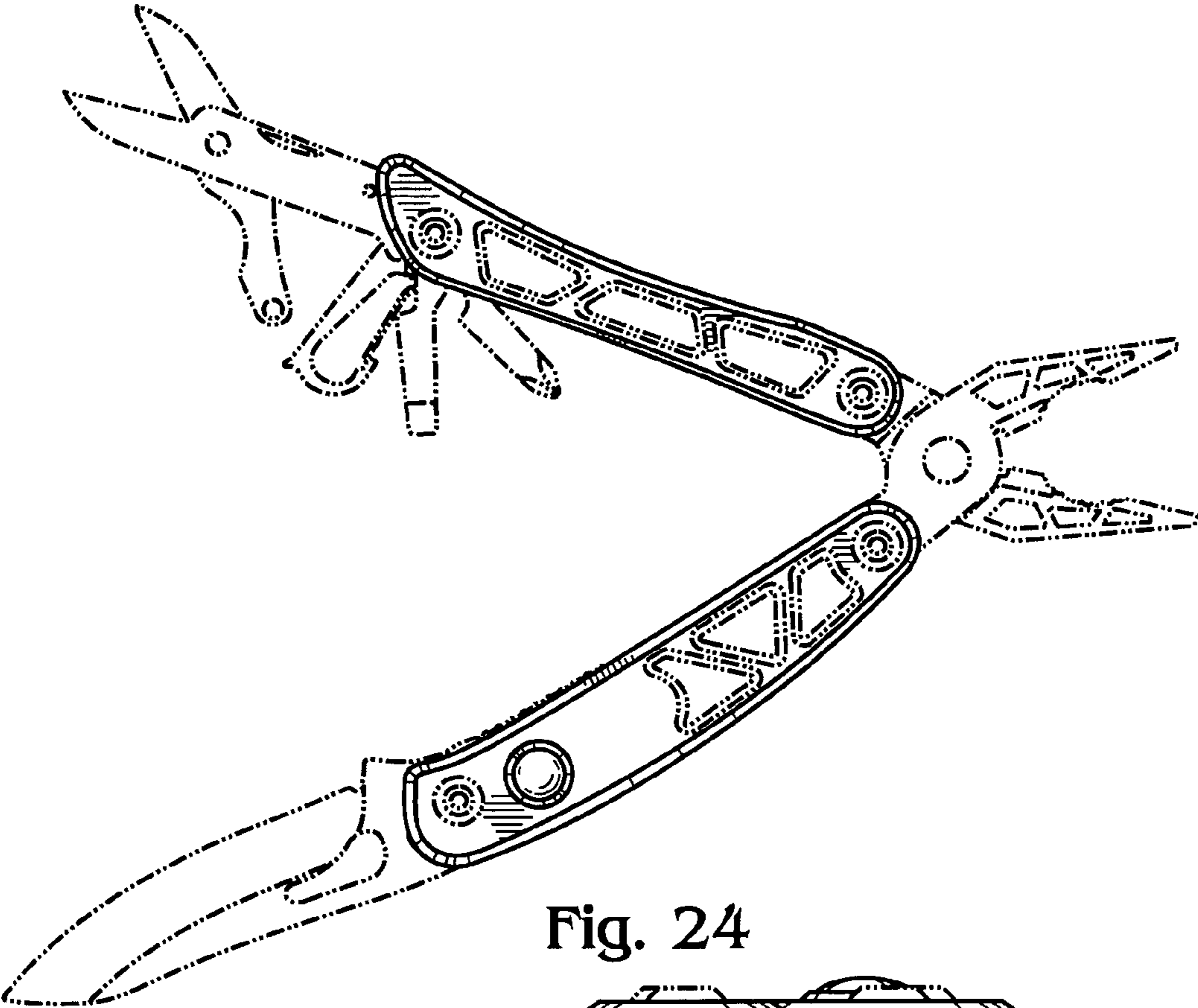


Fig. 24

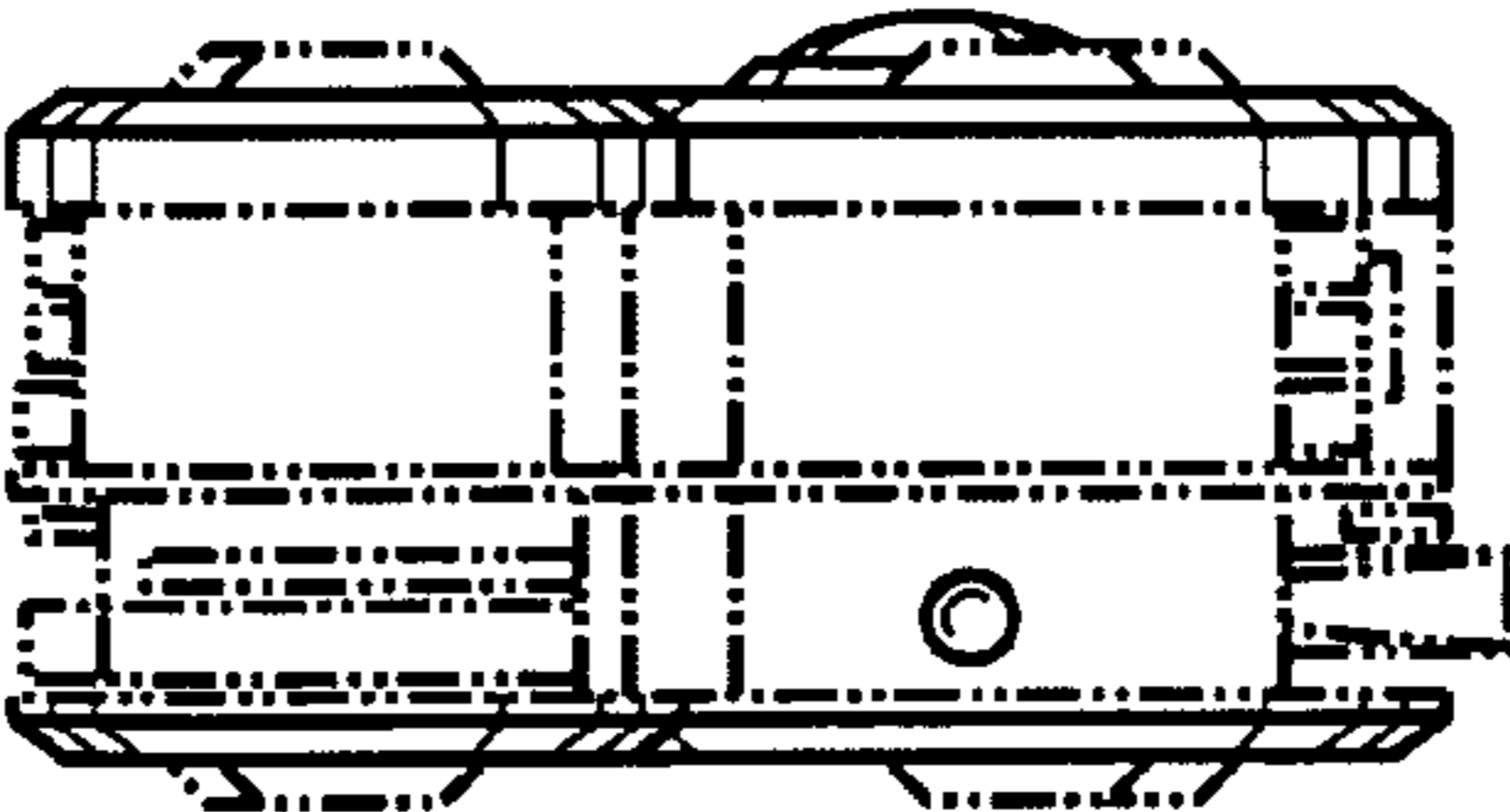


Fig. 25

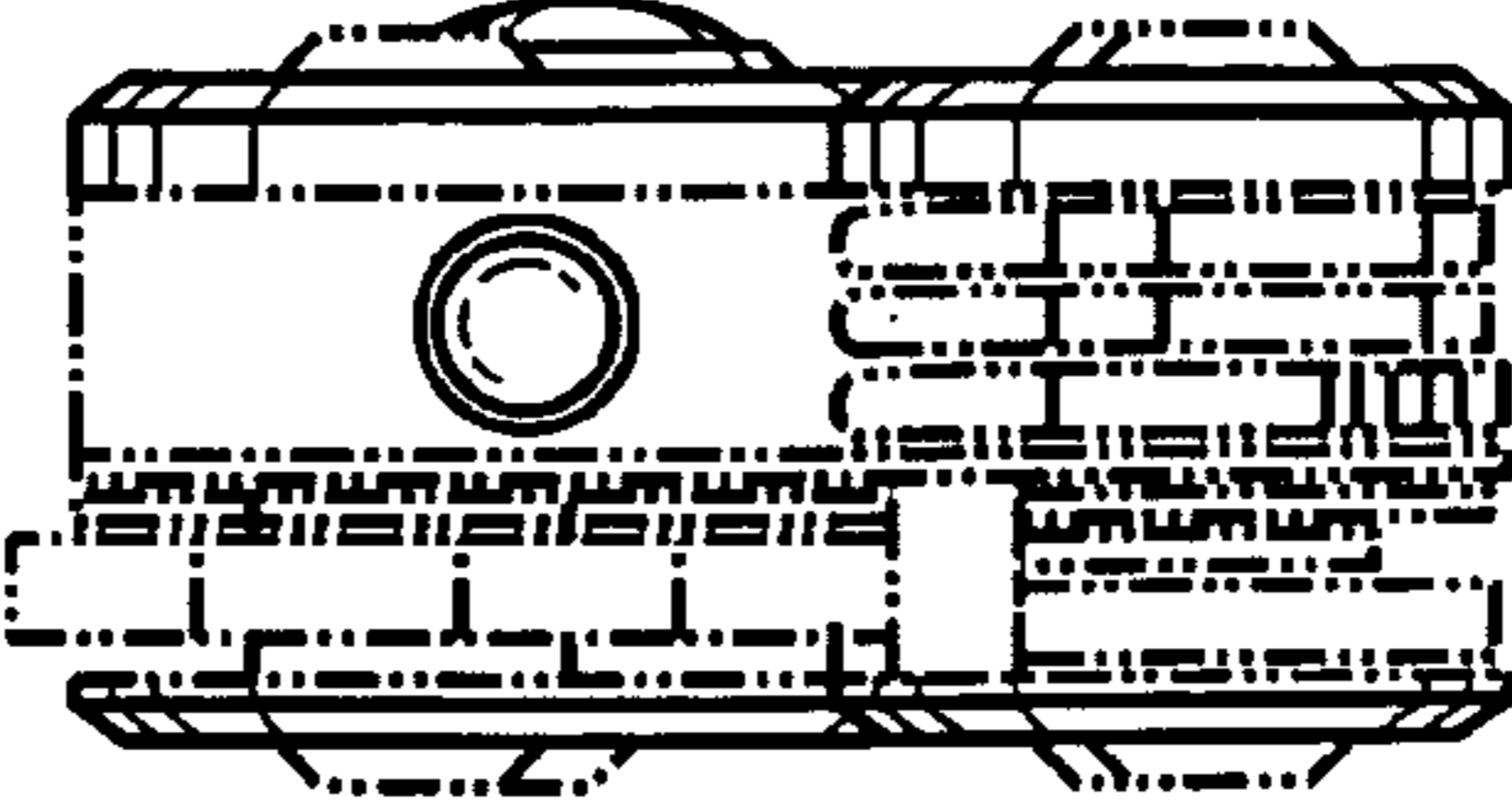


Fig. 22

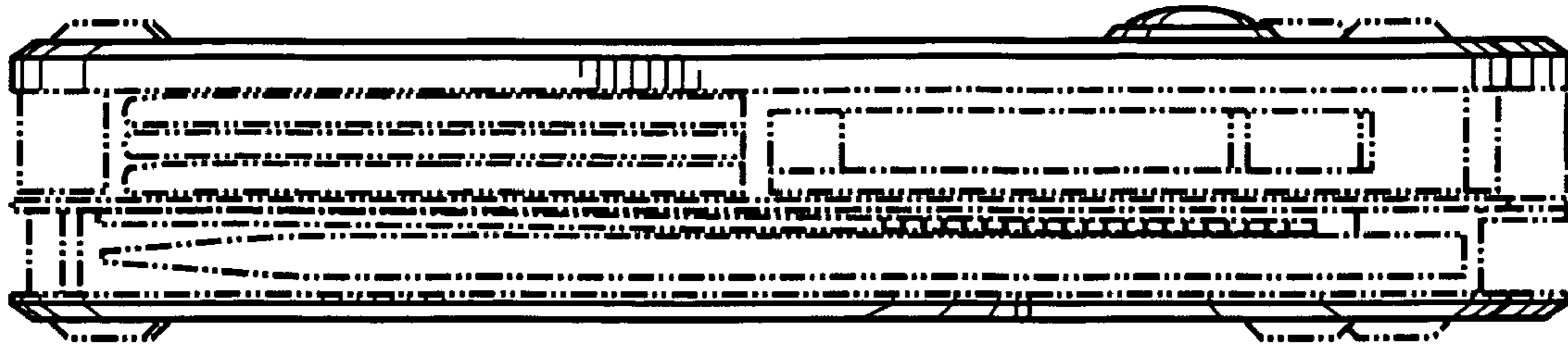


Fig. 23

