



US00D603680S

(12) **United States Design Patent**
Wu

(10) **Patent No.:** **US D603,680 S**
(45) **Date of Patent:** **** Nov. 10, 2009**

(54) **UTILITY KNIFE WITH NAIL REMOVER**

(76) Inventor: **Yuewei Wu**, Ningbo Xingwei Plastic Product Co., Ltd., Industrial Zone of Xidian, Ninghai, Zhejiang Province (CN) 315613

(**) Term: **14 Years**

(21) Appl. No.: **29/309,850**

(22) Filed: **Oct. 28, 2008**

(51) **LOC (9) Cl.** **08-03**

(52) **U.S. Cl.** **D8/99; D8/105**

(58) **Field of Classification Search** D8/14, D8/98, 105, 102, 104, 99, 88, 89; 30/162, 30/320, 335, 337; 7/118

See application file for complete search history.

(56) **References Cited**

U.S. PATENT DOCUMENTS

D258,043 S *	1/1981	Gregoire	D8/99
D263,277 S *	3/1982	Gregoire	D8/99
D264,801 S *	6/1982	Osada	D8/99
D354,900 S *	1/1995	Hirai	D8/99
D402,525 S *	12/1998	Hsu	D8/105
D450,086 S *	11/2001	Rosenbaum	D19/36
D464,245 S *	10/2002	Jacquet	D8/99
D464,552 S *	10/2002	Jacquet	D8/99

D501,387 S *	2/2005	Huang	D8/105
D510,693 S *	10/2005	Vaes	D8/99
D511,448 S *	11/2005	Chen	D8/99
D519,818 S *	5/2006	Knopow et al.	D8/99

* cited by examiner

Primary Examiner—Philip S Hyder

(57) **CLAIM**

The ornamental design for the utility knife with nail remover, as shown and described.

DESCRIPTION

FIG. 1 is a front view of a utility knife with nail remover showing my new design;

FIG. 2 is a rear view thereof;

FIG. 3 is a top view thereof;

FIG. 4 is a bottom view thereof;

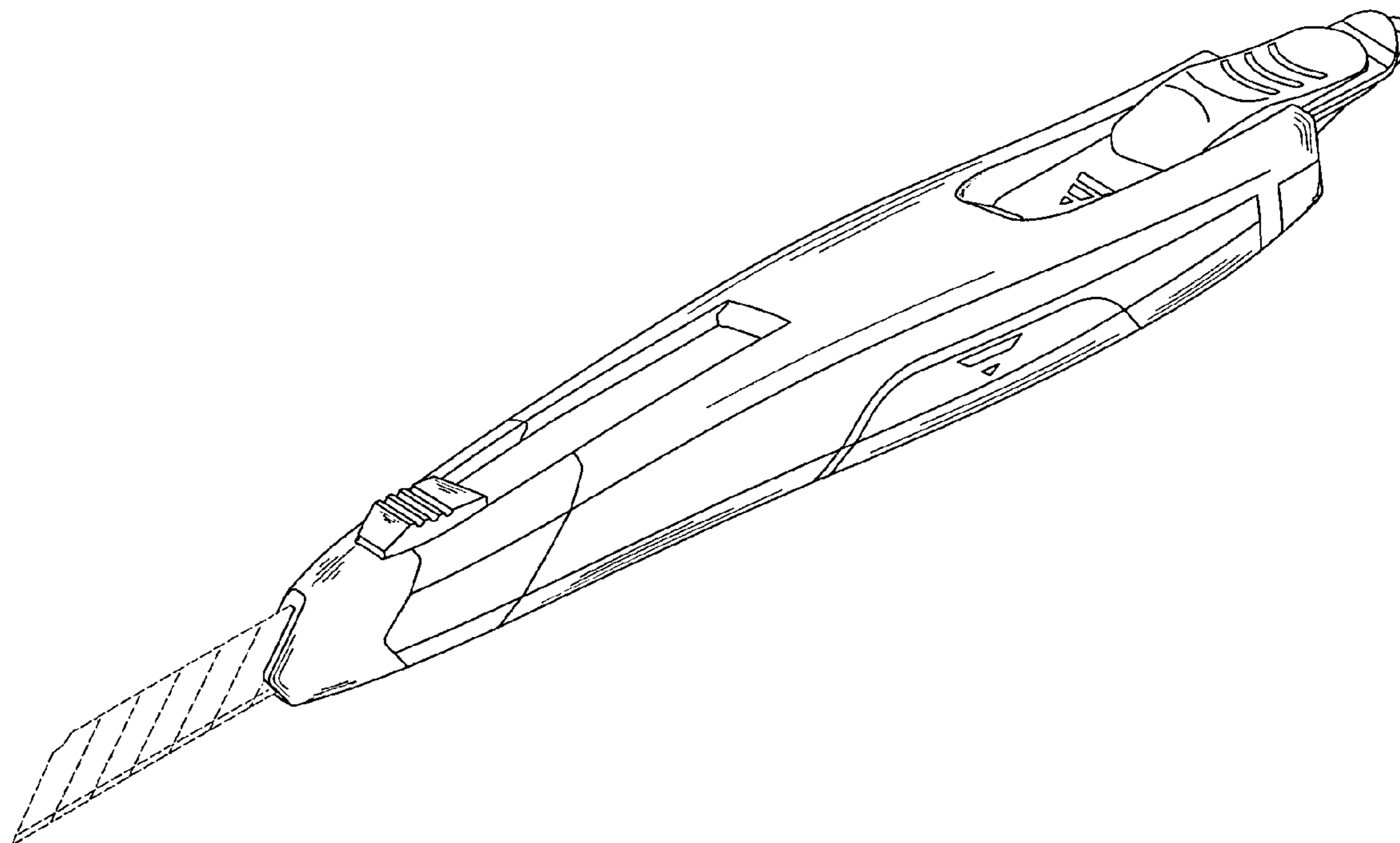
FIG. 5 is a right side view thereof;

FIG. 6 is a left side view thereof; and,

FIG. 7 is a perspective view thereof, wherein the blade actuator button is in an alternate position.

The broken lines are for environmental purposes only and form no part of the claimed design.

1 Claim, 2 Drawing Sheets



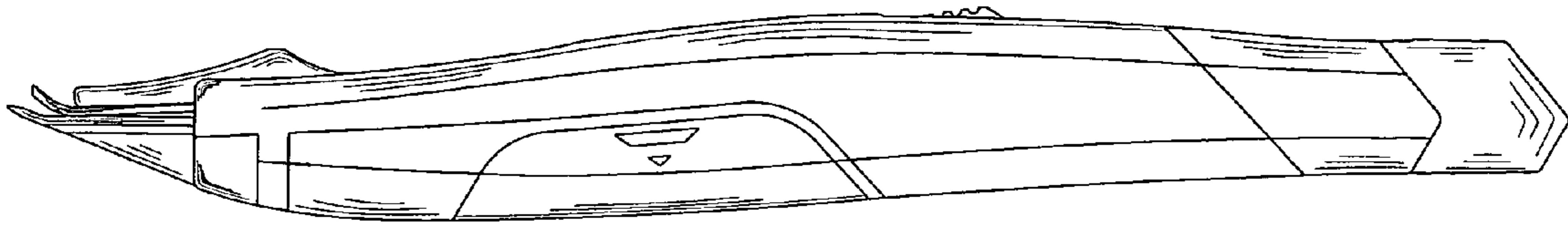


FIG. 1

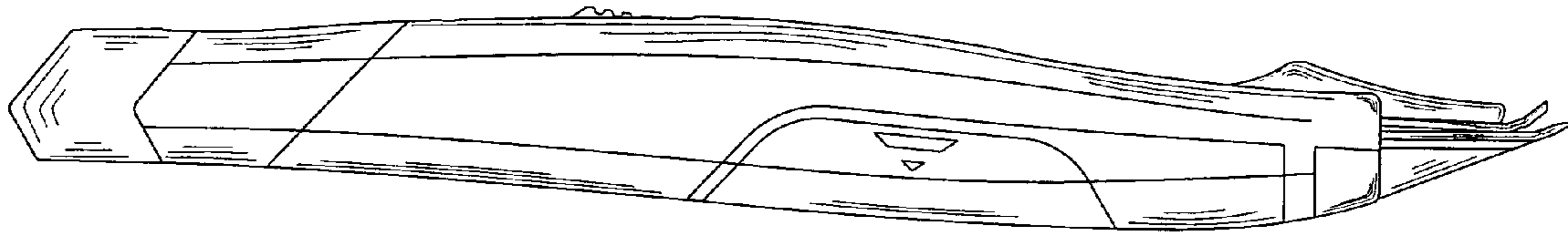


FIG. 2

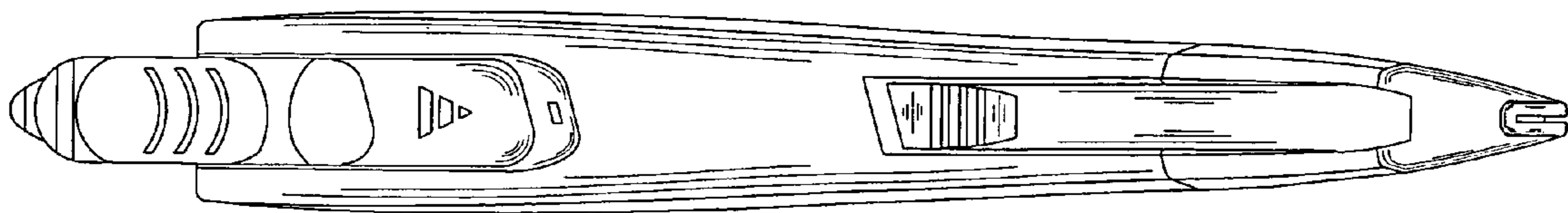


FIG. 3

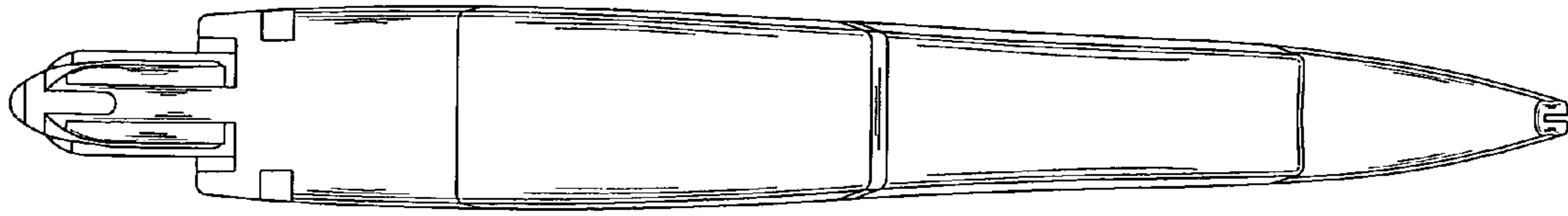


FIG. 4



FIG. 5

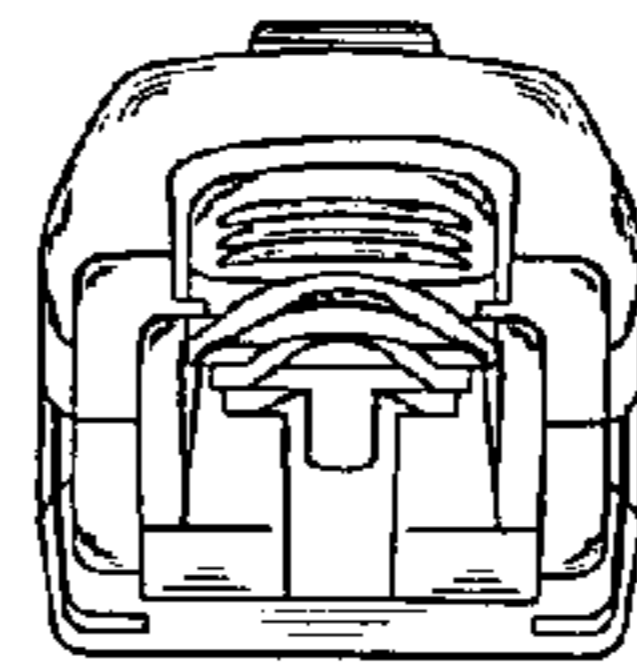


FIG. 6

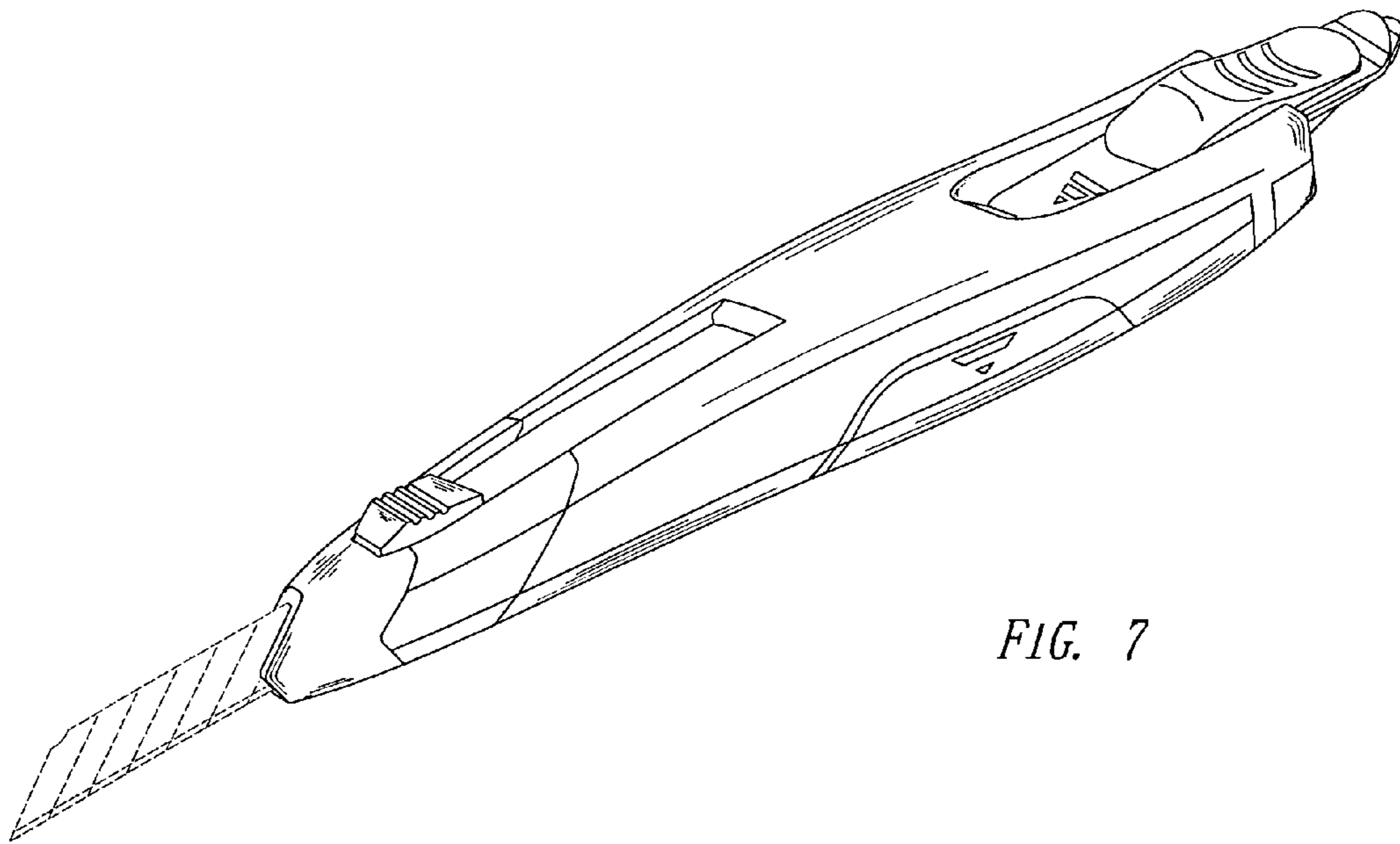


FIG. 7