



US00D603677S

(12) **United States Design Patent**
Hi

(10) **Patent No.:** **US D603,677 S**

(45) **Date of Patent:** **** Nov. 10, 2009**

(54) **HAND TOOL**

(76) **Inventor:** **Fanny Hi**, No. 16, Lane 63, Lising St.,
Yilan City, Yilan County (TW)

(**) **Term:** **14 Years**

(21) **Appl. No.:** **29/325,811**

(22) **Filed:** **Oct. 7, 2008**

(51) **LOC (9) Cl.** **08-04**

(52) **U.S. Cl.** **D8/83**

(58) **Field of Classification Search** D8/82,
D8/83, 84, 85, 86, 107; 81/177.1, 177.2,
81/177.4, 177.6, 177.7, 177.8; 16/110.1

See application file for complete search history.

(56) **References Cited**

U.S. PATENT DOCUMENTS

| | | | | | |
|-----------|------|---------|------------------|-------|----------|
| 5,069,091 | A * | 12/1991 | Bramsiepe et al. | | 81/177.7 |
| 5,421,225 | A * | 6/1995 | Chen | | 81/490 |
| 6,058,812 | A * | 5/2000 | Casel et al. | | 81/60 |
| 6,386,075 | B1 * | 5/2002 | Shiao | | 81/177.8 |
| 6,397,708 | B1 * | 6/2002 | Hung | | 81/177.7 |
| 6,401,576 | B1 * | 6/2002 | Wu | | 81/177.4 |
| 6,564,680 | B1 * | 5/2003 | Rinner et al. | | 81/177.5 |
| 6,877,186 | B2 * | 4/2005 | Shiao | | 16/111.1 |
| 7,047,846 | B1 * | 5/2006 | Hu | | 81/177.7 |

7,287,450 B1 * 10/2007 Liao 81/177.9

* cited by examiner

Primary Examiner—Philip S Hyder

(74) *Attorney, Agent, or Firm*—Alan Kamrath; Kamrath & Associates PA

(57) **CLAIM**

The ornamental design for hand tool, as shown and described.

DESCRIPTION

FIG. 1 is a perspective view of a hand tool showing my new design;

FIG. 2 is a front view thereof;

FIG. 3 is a rear view thereof;

FIG. 4 is a left view thereof;

FIG. 5 is a right view thereof;

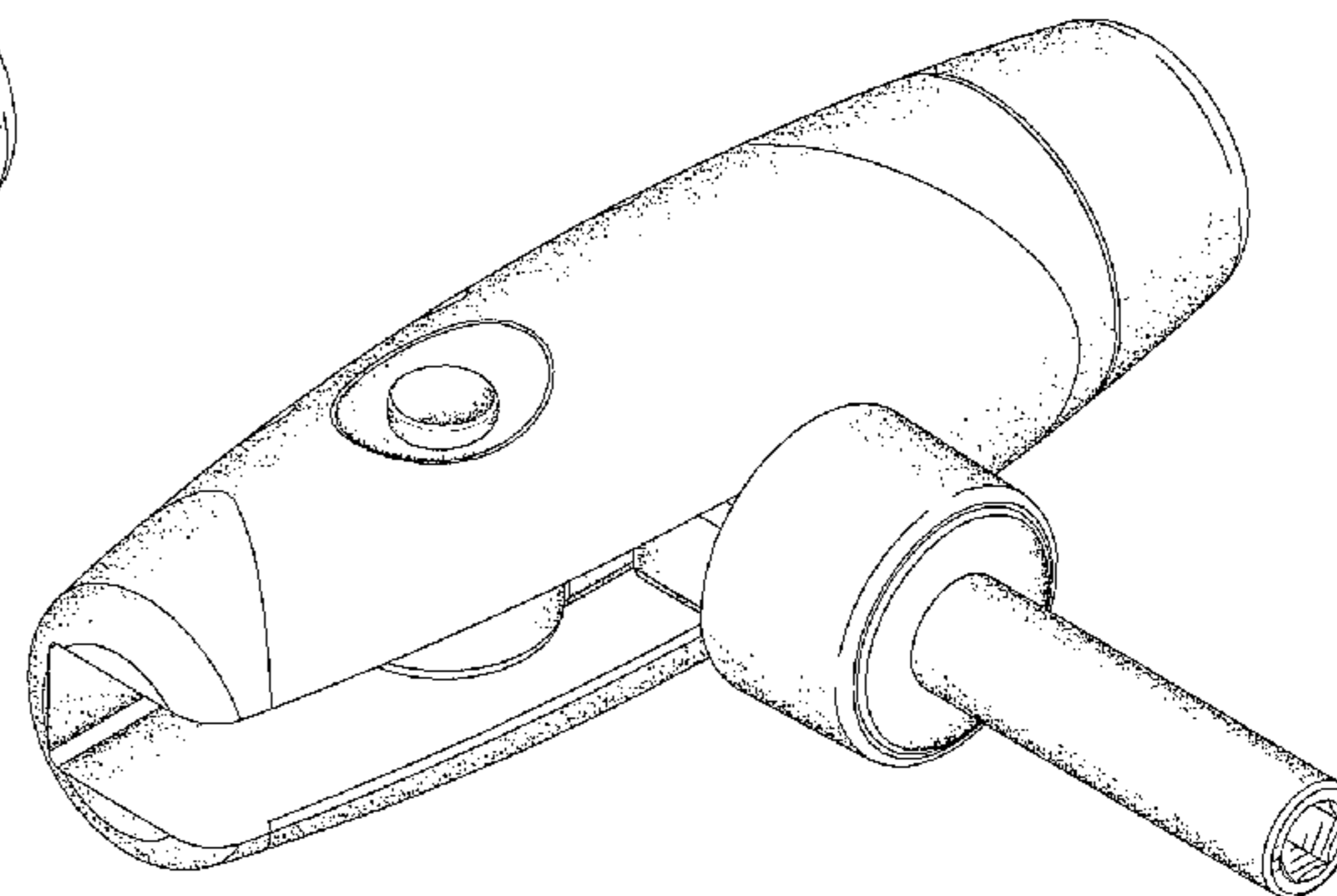
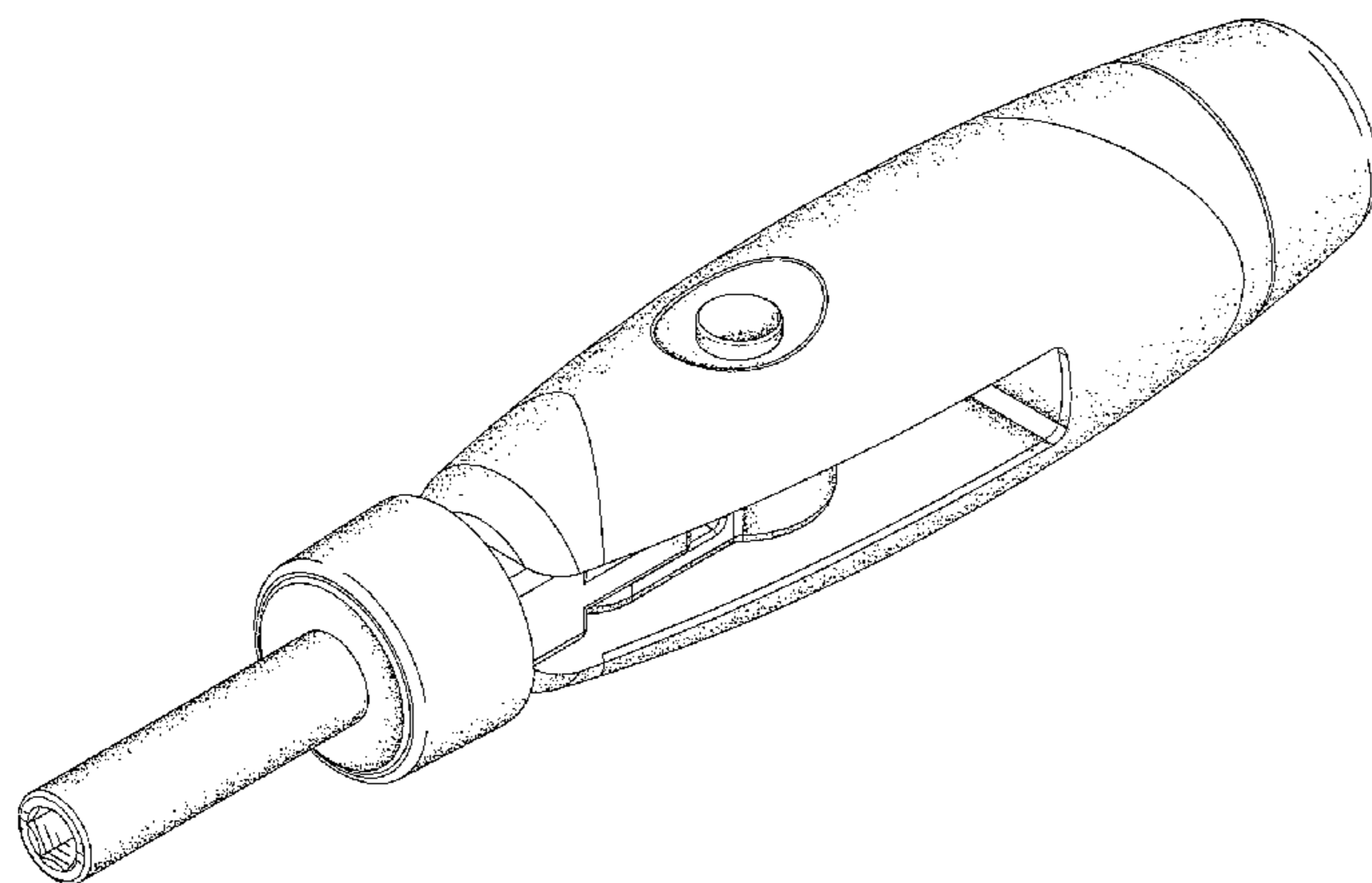
FIG. 6 is a top view thereof;

FIG. 7 is a bottom view thereof;

FIG. 8 is a perspective view of the hand tool showing the drive end in an alternate position; and,

FIG. 9 is a perspective view of the hand tool showing the drive end in a second alternate position.

1 Claim, 6 Drawing Sheets



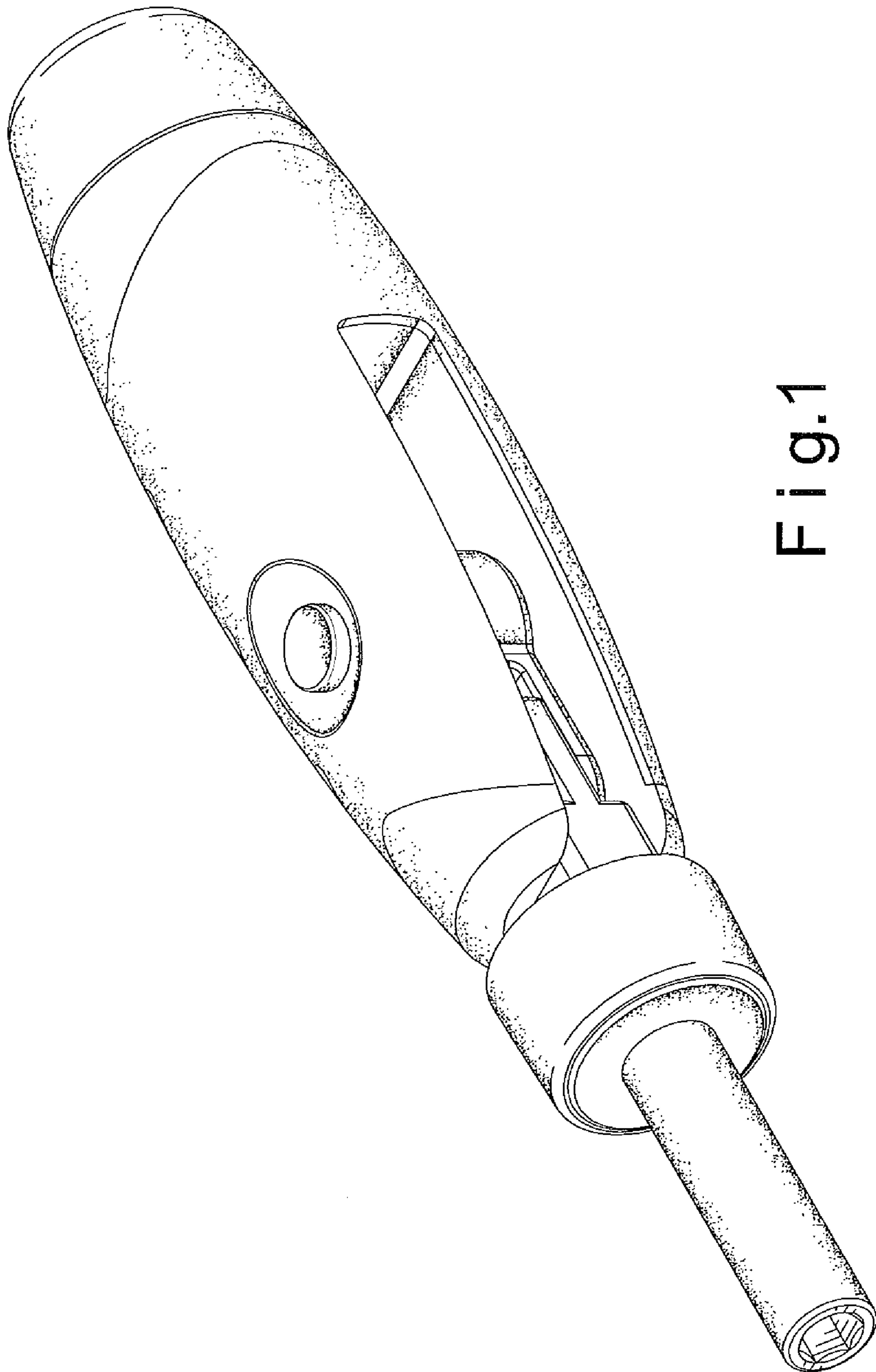


Fig. 1

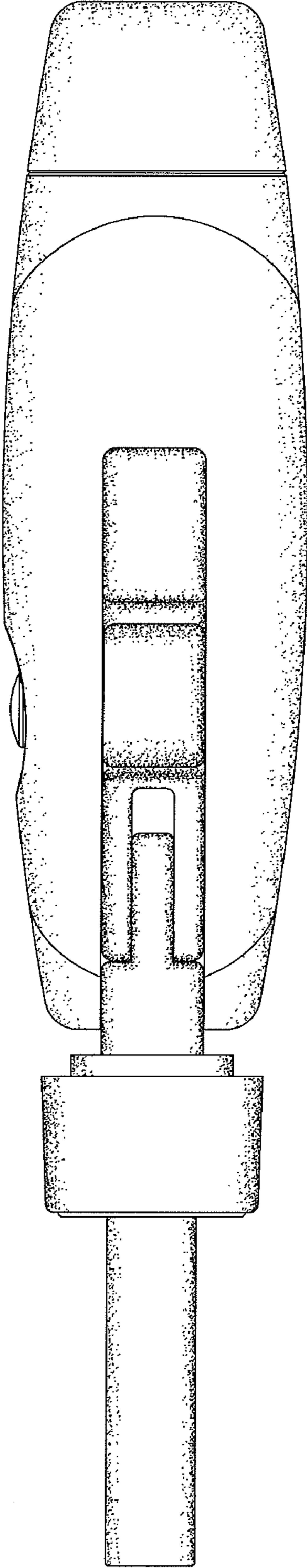


Fig.2

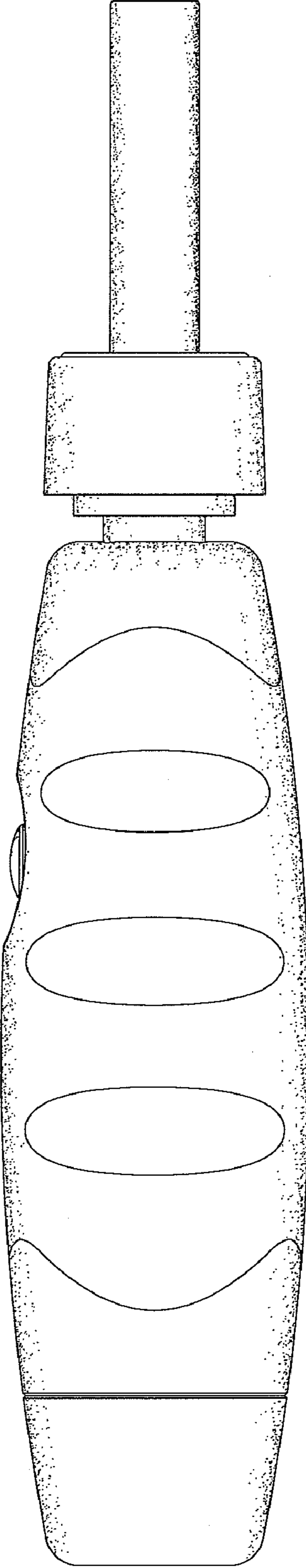


Fig.3

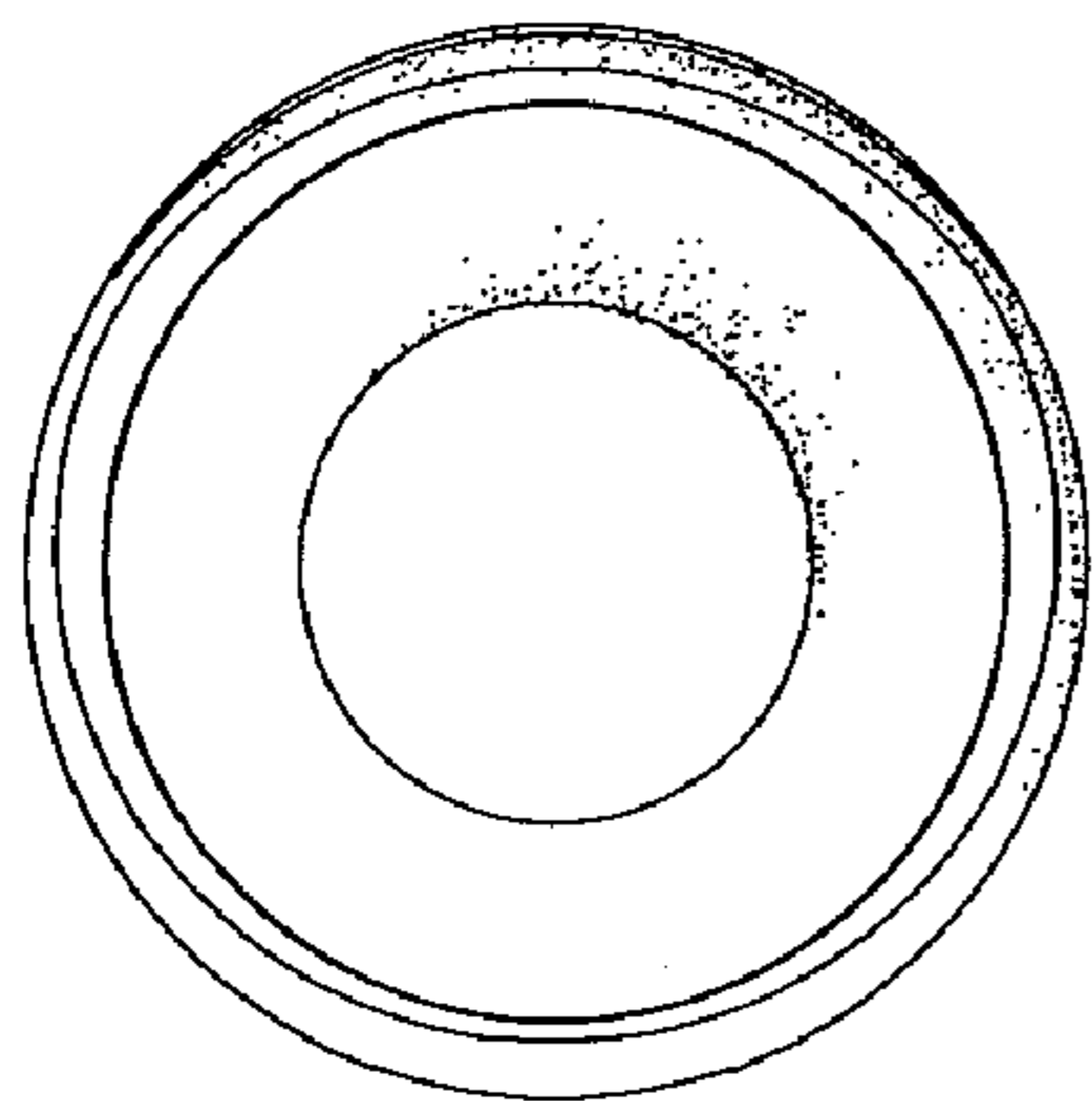


Fig.5

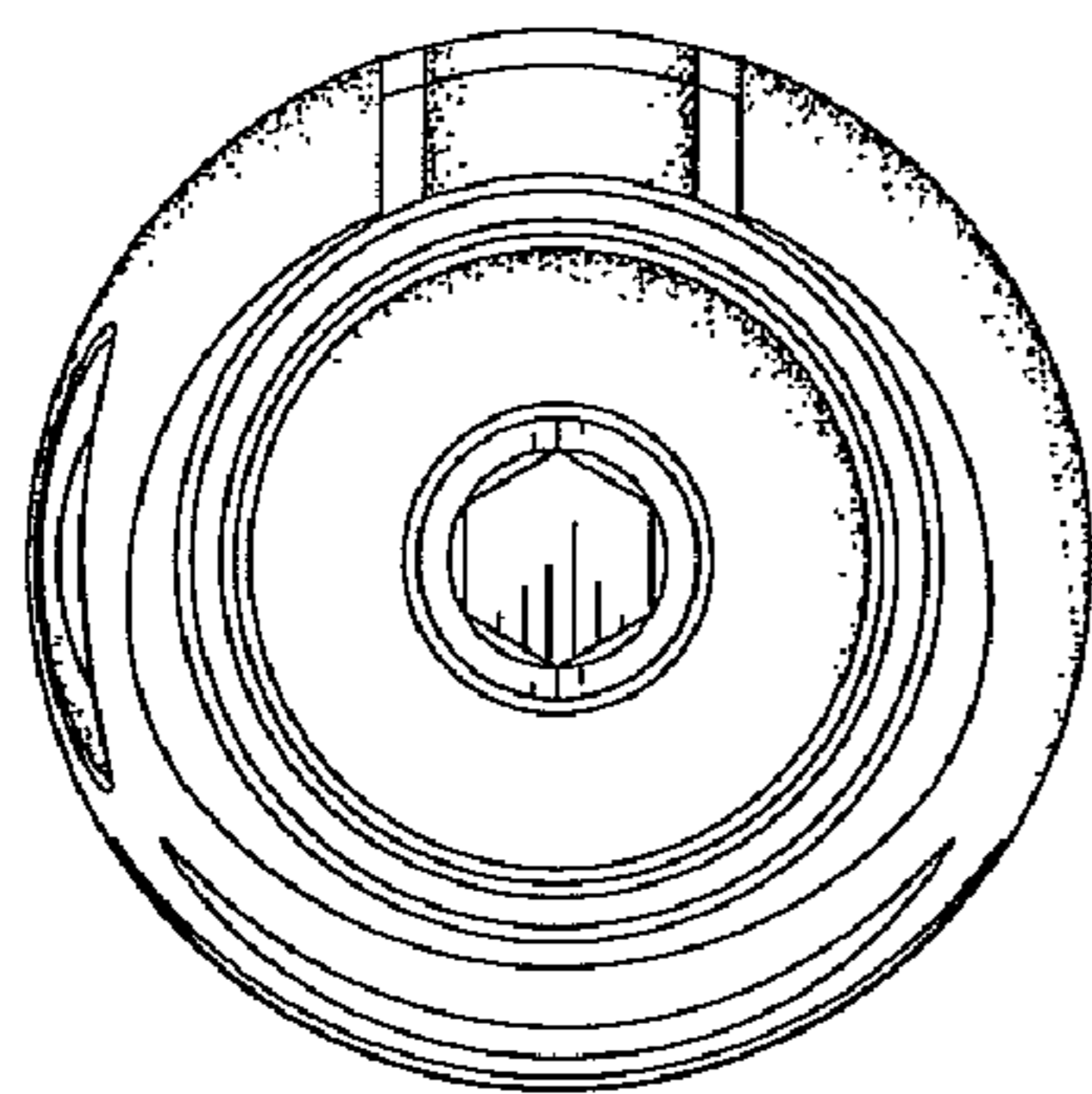


Fig.4

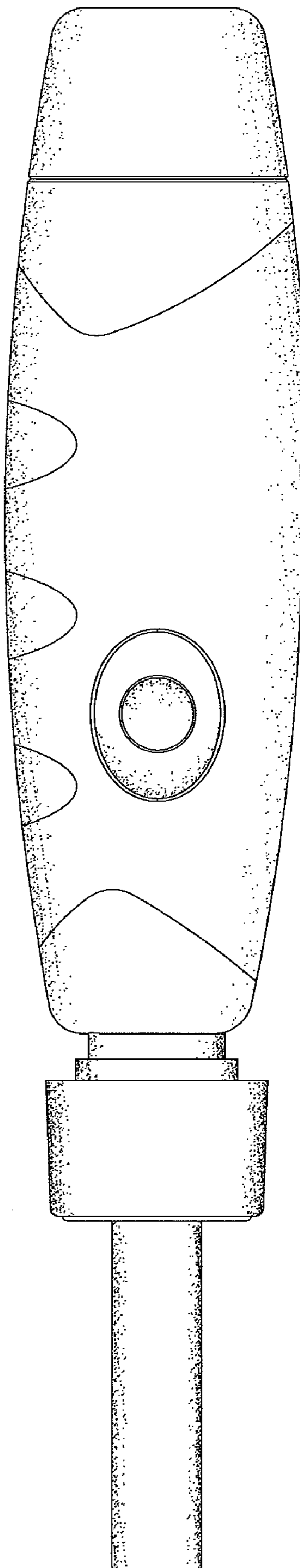


Fig.6

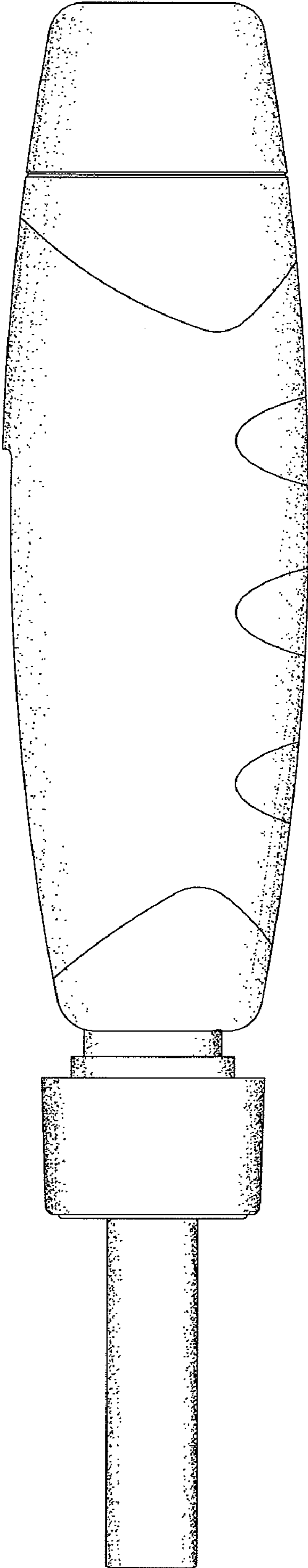


Fig. 7

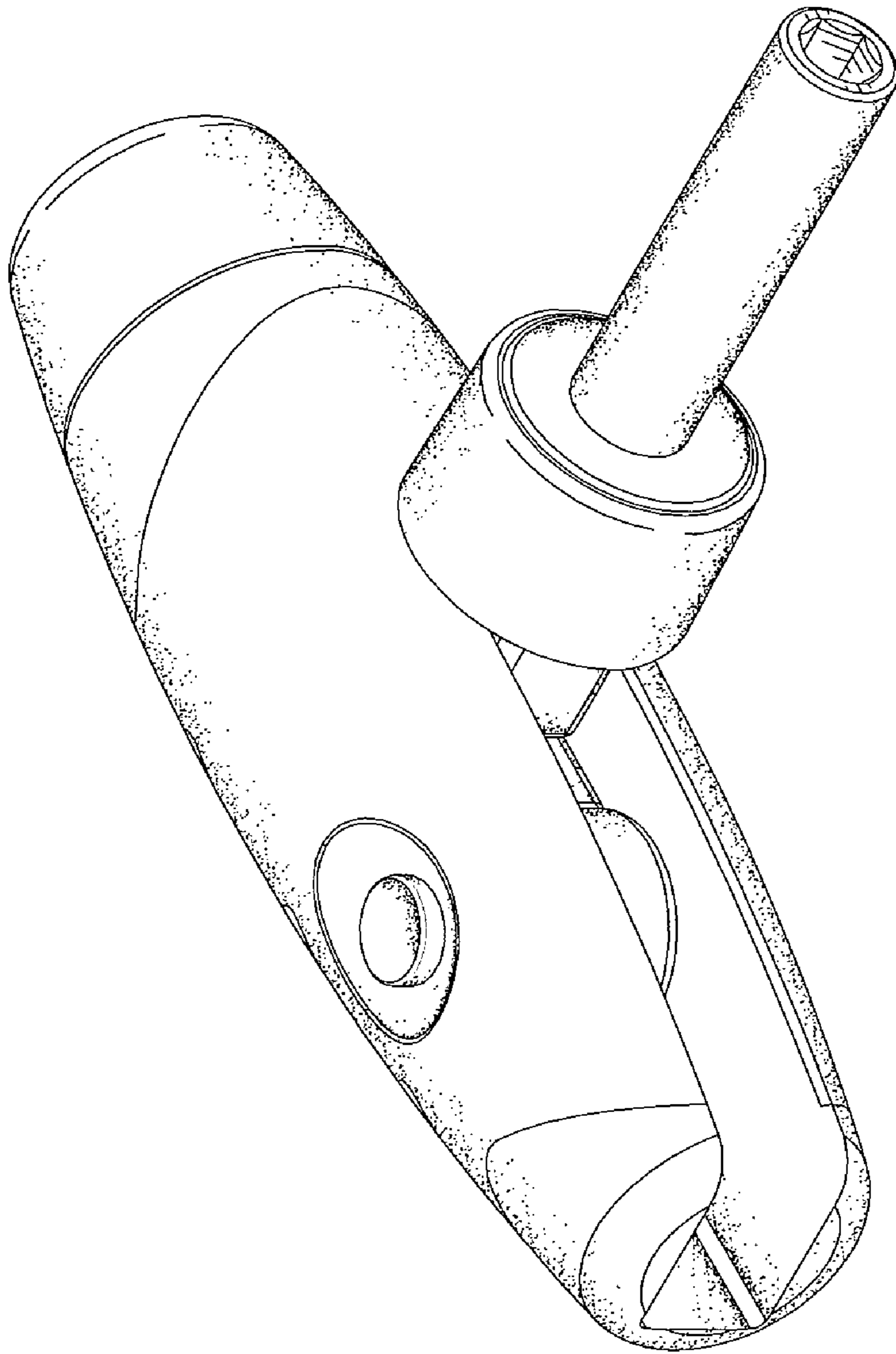


Fig. 8

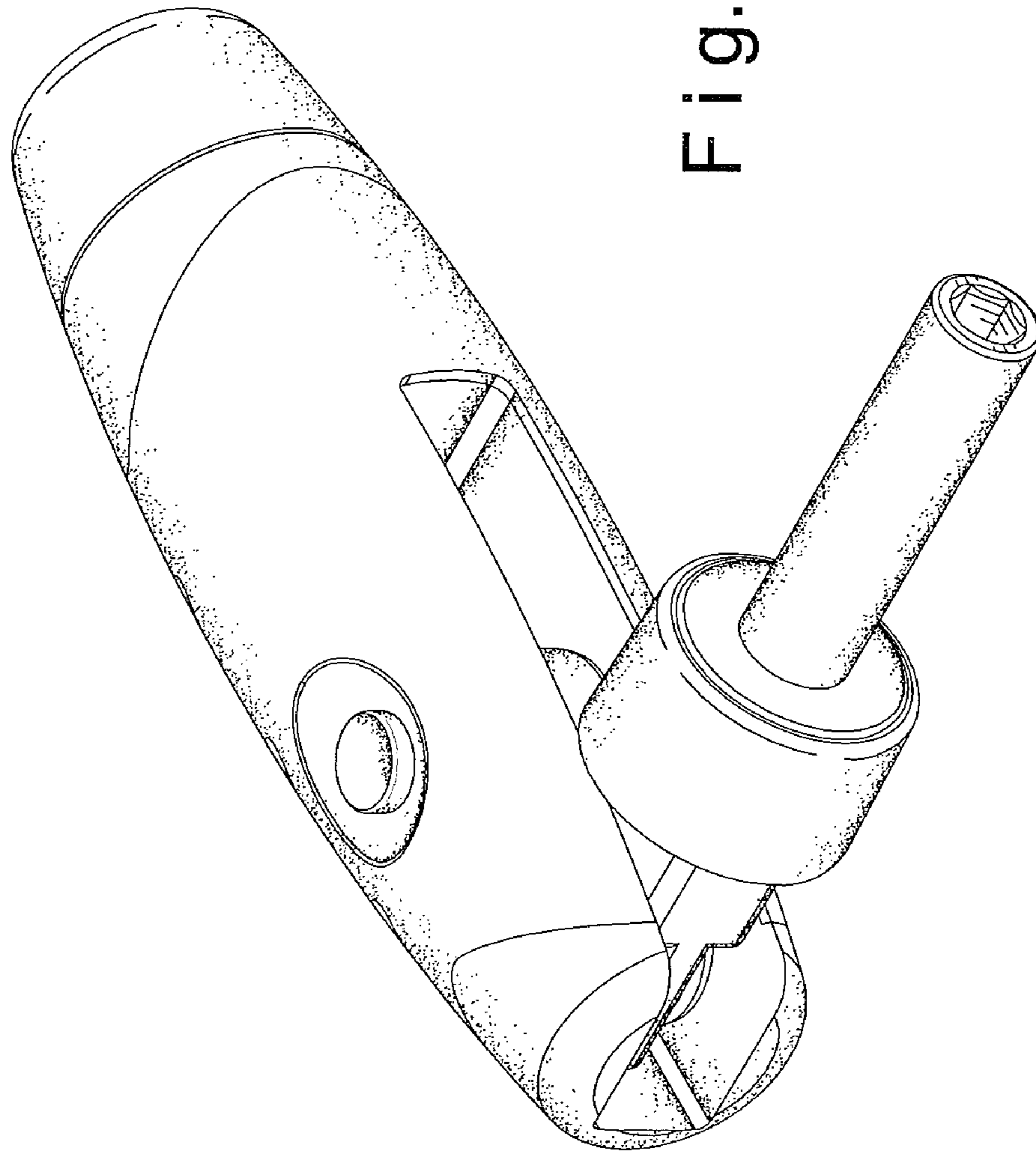


Fig. 9