

US00D603674S

(12) **United States Design Patent**  
**Werner**

(10) **Patent No.:** **US D603,674 S**

(45) **Date of Patent:** **\*\* Nov. 10, 2009**

(54) **HAMMER DRILL**

(75) Inventor: **Immanuel Werner**, St. Johann (DE)

(73) Assignee: **Robert Bosch GmbH**, Stuttgart (DE)

(\*\*) Term: **14 Years**

(21) Appl. No.: **29/334,804**

(22) Filed: **Apr. 2, 2009**

(30) **Foreign Application Priority Data**

Feb. 11, 2009 (EM) ..... 001086755

(51) **LOC (9) Cl.** ..... **08-02**

(52) **U.S. Cl.** ..... **D8/67**

(58) **Field of Classification Search** ..... D8/61-70;  
81/57.11, 54, 57.42; 173/170, 271; 74/55

See application file for complete search history.

(56) **References Cited**

**U.S. PATENT DOCUMENTS**

D77,676 S *	2/1929	Decker	.....	D8/69
D77,937 S *	3/1929	Decker	.....	D8/69
1,860,736 A *	5/1932	Gartin	.....	91/232
1,887,762 A *	11/1932	Horton	.....	74/55
D111,005 S *	8/1938	Sperry	.....	D8/61
2,533,487 A *	12/1950	Maurer et al.	.....	173/170
2,776,653 A *	1/1957	Eaton	.....	254/30
3,270,369 A *	9/1966	Mandell	.....	452/160
3,978,576 A *	9/1976	Mustoe, Jr.	.....	254/18
D242,427 S *	11/1976	Wilsgaard	.....	D8/67
4,036,085 A *	7/1977	Sjostrand et al.	.....	81/464
4,078,766 A *	3/1978	Saurwein	.....	254/18
4,303,131 A *	12/1981	Clark	.....	173/207
D272,710 S *	2/1984	Antonick et al.	.....	D8/67
4,440,237 A *	4/1984	Casperovich	.....	173/206

4,483,402 A *	11/1984	Vonhoff, Jr.	.....	173/207
4,548,279 A *	10/1985	Zaruba	.....	173/170
4,673,042 A *	6/1987	Steiner	.....	173/219
D292,368 S *	10/1987	Mikiya	.....	D8/61
D301,967 S *	7/1989	Sakamoto et al.	.....	D8/67
D329,794 S *	9/1992	Graham	.....	D8/68
D335,619 S *	5/1993	Ogawa et al.	.....	D8/67
D343,345 S *	1/1994	Ogawa et al.	.....	D8/69
5,845,719 A *	12/1998	Matsumoto et al.	.....	173/114
D411,426 S *	6/1999	Morita	.....	D8/69
6,050,345 A *	4/2000	Jarvinen et al.	.....	173/31
D447,677 S *	9/2001	Stirm	.....	D8/69
7,013,984 B2 *	3/2006	Atkinson et al.	.....	173/1
D570,174 S *	6/2008	Stirm	.....	D8/67
D580,250 S *	11/2008	Strim	.....	D8/67

\* cited by examiner

*Primary Examiner*—Cathron C Brooks

*Assistant Examiner*—Austin Murphy

(74) *Attorney, Agent, or Firm*—Victor A. Henzi

(57) **CLAIM**

The ornamental design for the hammer drill, as shown and described.

**DESCRIPTION**

FIG. 1 is a front right perspective view of the hammer drill;

FIG. 2 is a right elevational view thereof;

FIG. 3 is a left elevational view thereof;

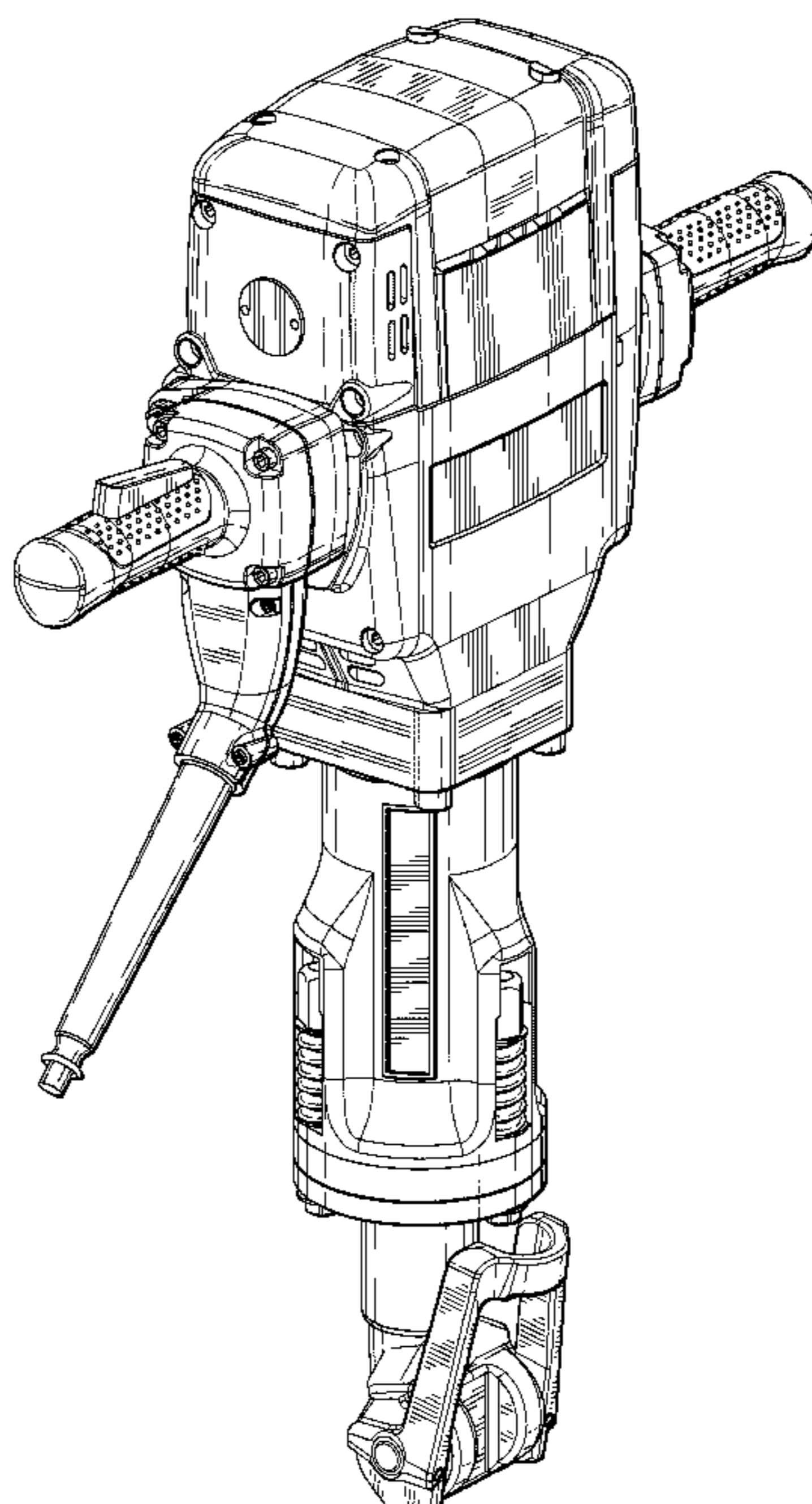
FIG. 4 is a front elevational view thereof;

FIG. 5 is a rear elevational view thereof;

FIG. 6 is a top plan view thereof; and,

FIG. 7 is a bottom plan view thereof.

**1 Claim, 6 Drawing Sheets**



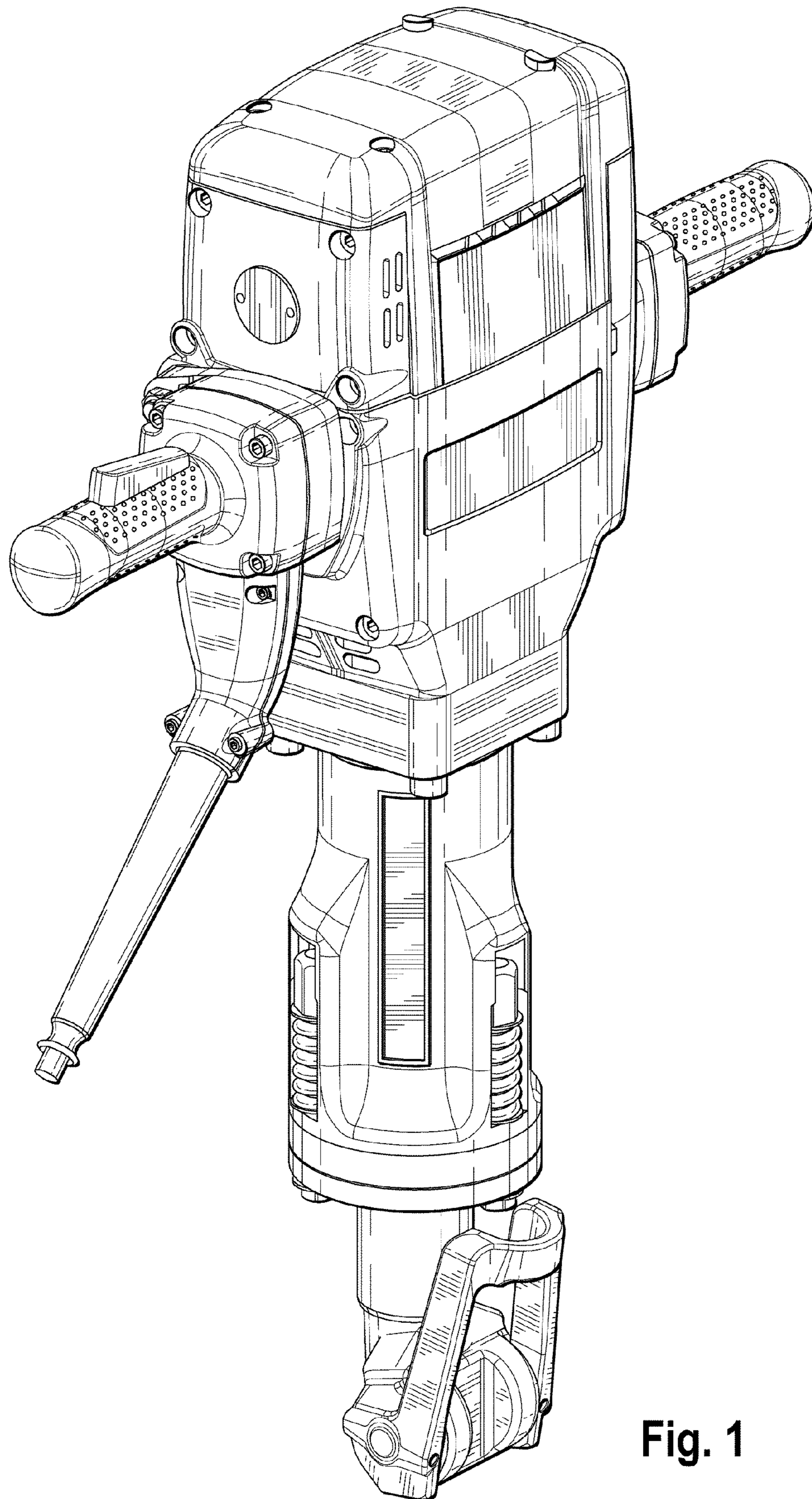


Fig. 1

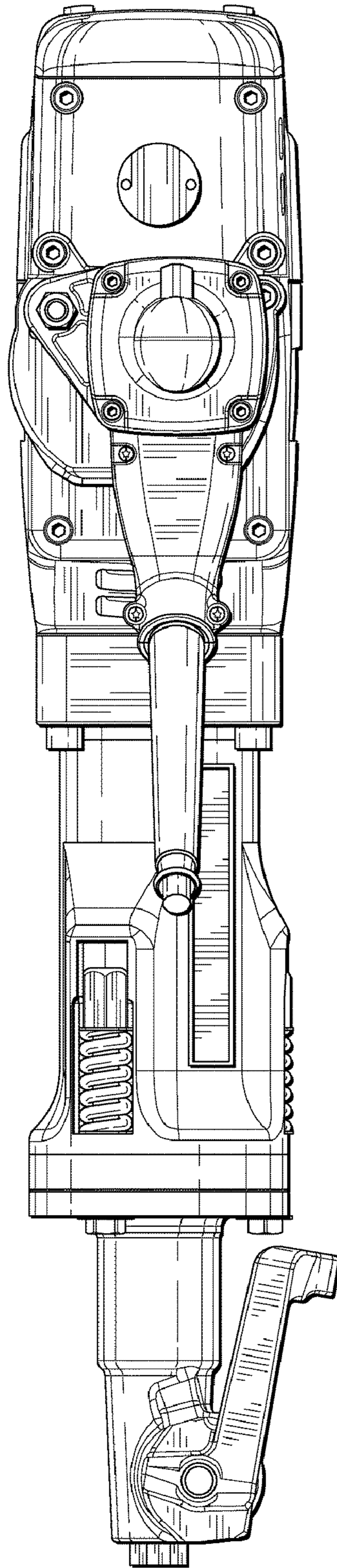


Fig. 2

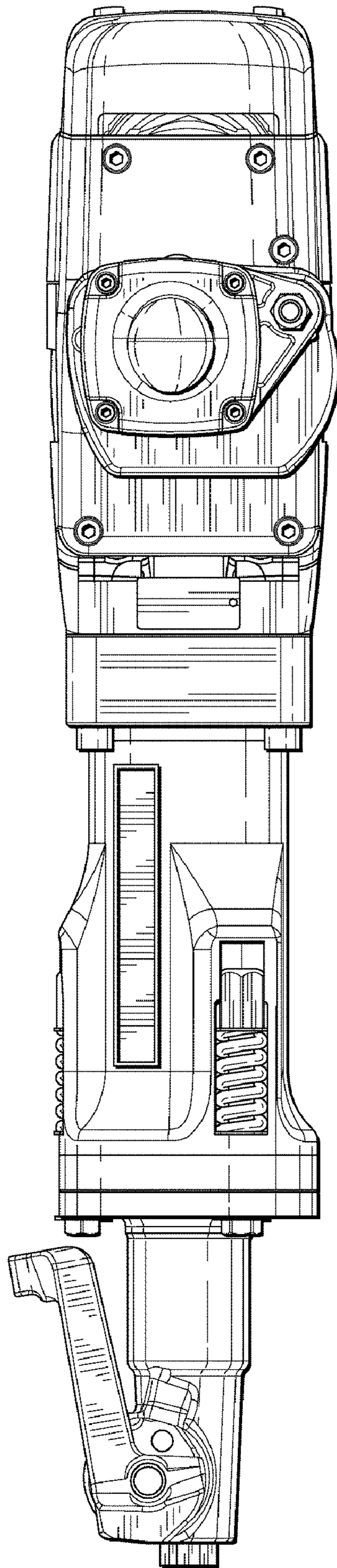


Fig. 3

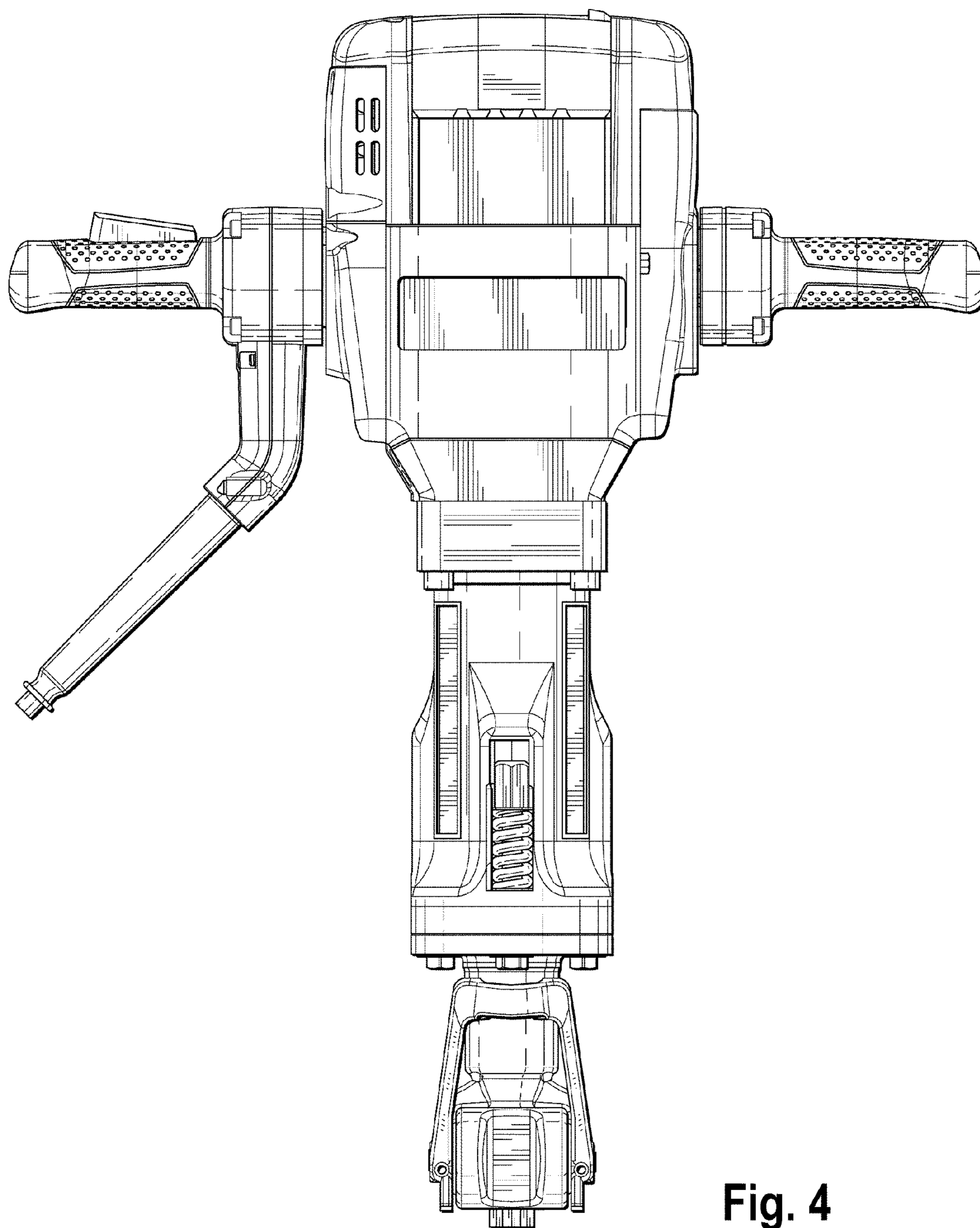


Fig. 4

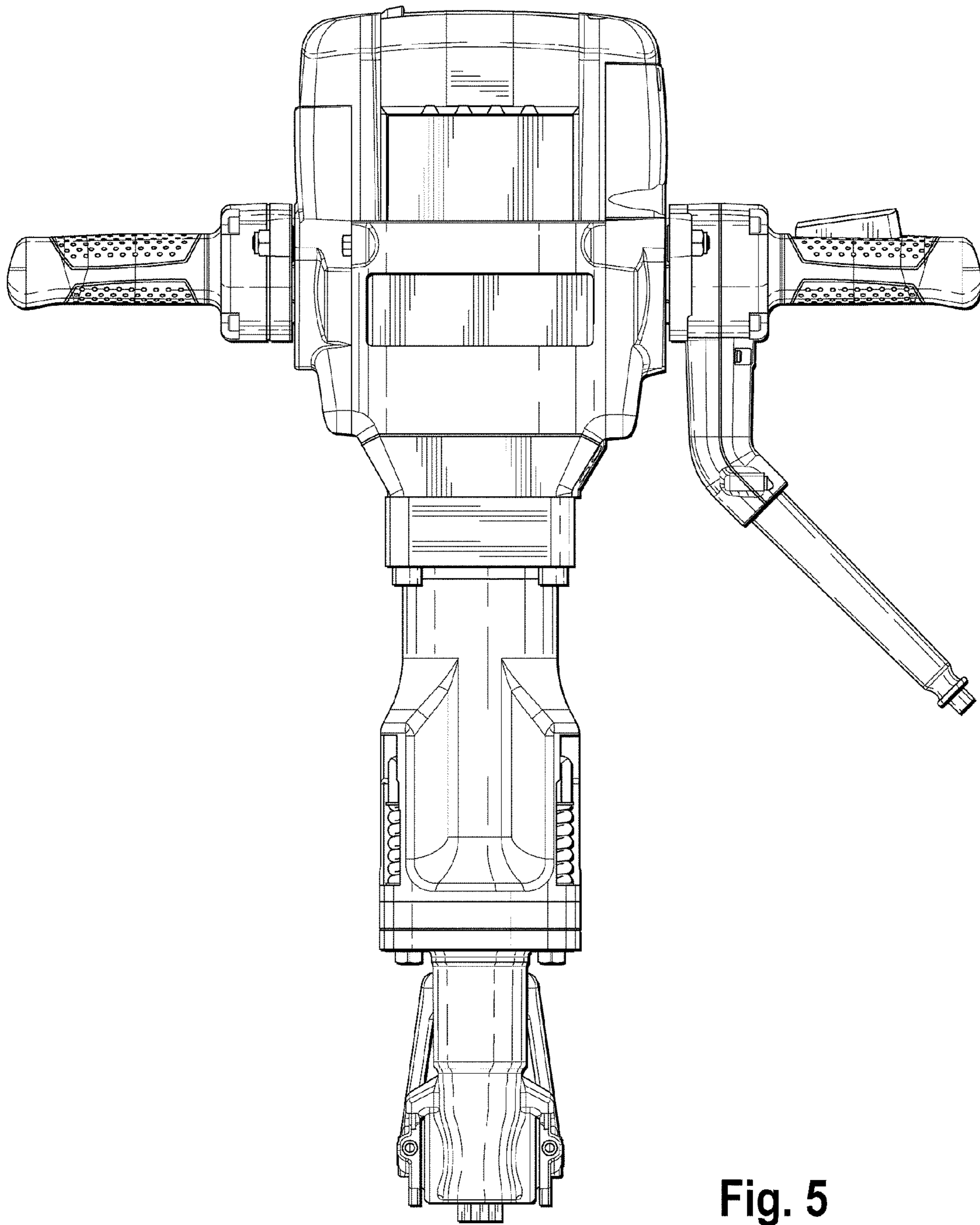


Fig. 5

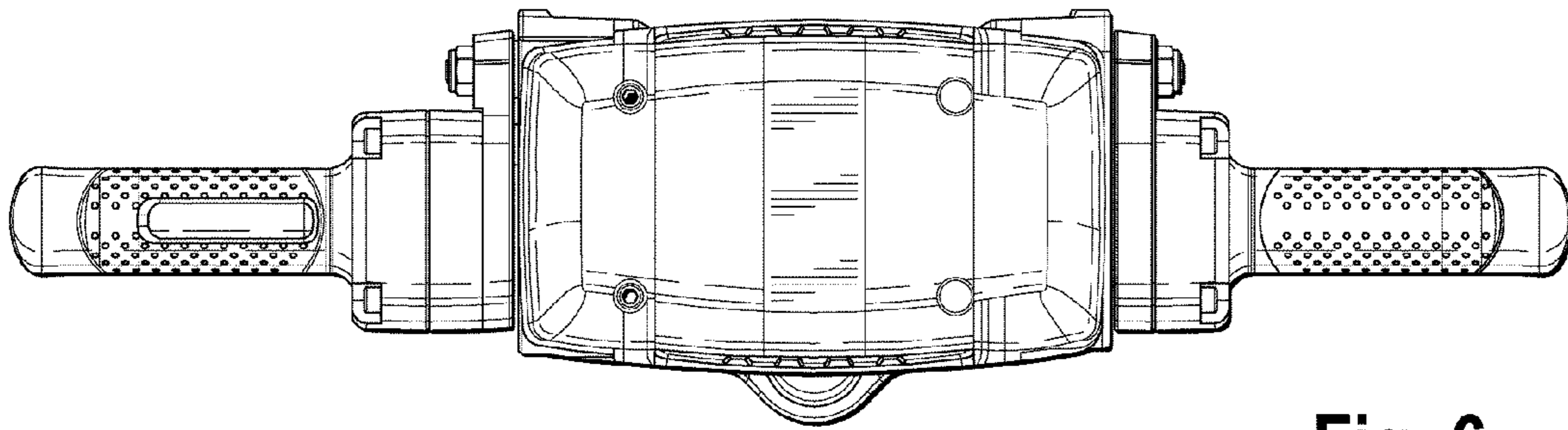


Fig. 6

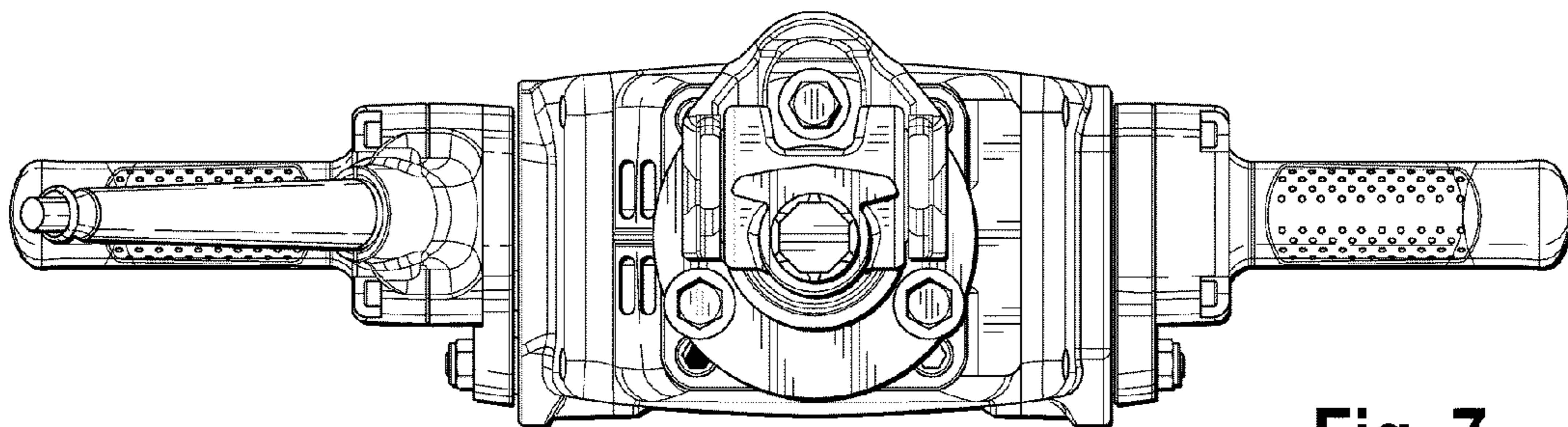


Fig. 7