



US00D603673S

(12) **United States Design Patent**
Netzler

(10) **Patent No.:** **US D603,673 S**

(45) **Date of Patent:** **** Nov. 10, 2009**

(54) **PLANER**

(75) **Inventor:** **Sion Netzler**, Abingdon, MD (US)

(73) **Assignee:** **Black & Decker Inc.**, Newark, DE (US)

(**) **Term:** **14 Years**

(21) **Appl. No.:** **29/314,848**

(22) **Filed:** **May 5, 2009**

(51) **LOC (9) Cl.** **08-01**

(52) **U.S. Cl.** **D8/62**

(58) **Field of Classification Search** D8/67,
D8/62, 61, 70; D32/15, 17, 19; D4/102;
451/456, 451, 359, 358, 357, 356, 355, 364,
451/344; 144/154.5, 373; 30/475

See application file for complete search history.

(56) **References Cited**

U.S. PATENT DOCUMENTS

4,360,048	A *	11/1982	Schadlich et al.	30/475
4,363,343	A *	12/1982	Cuneo	30/475
4,442,878	A *	4/1984	Moriguchi et al.	30/475
D282,236	S *	1/1986	Shohoji et al.	D8/61
4,584,772	A *	4/1986	Bergler	30/475
D323,098	S *	1/1992	Sakamoto et al.	D8/62
5,094,000	A *	3/1992	Becht et al.	30/475
5,383,275	A *	1/1995	Hild et al.	30/475
5,815,934	A *	10/1998	Eichberger et al.	30/475
D475,594	S *	6/2003	Bian	D8/62
D478,261	S *	8/2003	Sham	D8/62
6,688,349	B2 *	2/2004	Roshilavati Razlan et al. ...	144/ 154.5
D492,563	S *	7/2004	Wright	D8/62
D495,574	S *	9/2004	Schoen	D8/62
D501,775	S *	2/2005	Tillman et al.	D8/62

D502,072	S *	2/2005	Wright	D8/62
D508,833	S *	8/2005	Brazell et al.	D8/62
D509,117	S *	9/2005	Tillman et al.	D8/62
D509,721	S *	9/2005	Park	D8/62
D512,619	S *	12/2005	Aglassinger	D8/62
D529,357	S *	10/2006	Qiu	D8/62
2003/0168122	A1 *	9/2003	Razlan et al.	144/154.5
2004/0149351	A1 *	8/2004	Thomas	144/136.95
2005/0034782	A1 *	2/2005	Park et al.	144/154.5
2005/0274433	A1 *	12/2005	Thomas	144/252.1
2005/0284543	A1 *	12/2005	Kaiser	144/373

* cited by examiner

Primary Examiner—Cathron C Brooks

Assistant Examiner—Austin Murphy

(74) *Attorney, Agent, or Firm*—Rhonda L. Barton; Scott B. Markow; Adan Ayala

(57) **CLAIM**

The ornamental design for a planer, as shown and described.

DESCRIPTION

FIG. 1 is a perspective view of a planer showing my new design;

FIG. 2 is a left side view thereof;

FIG. 3 is a right side view thereof;

FIG. 4 is a front view thereof;

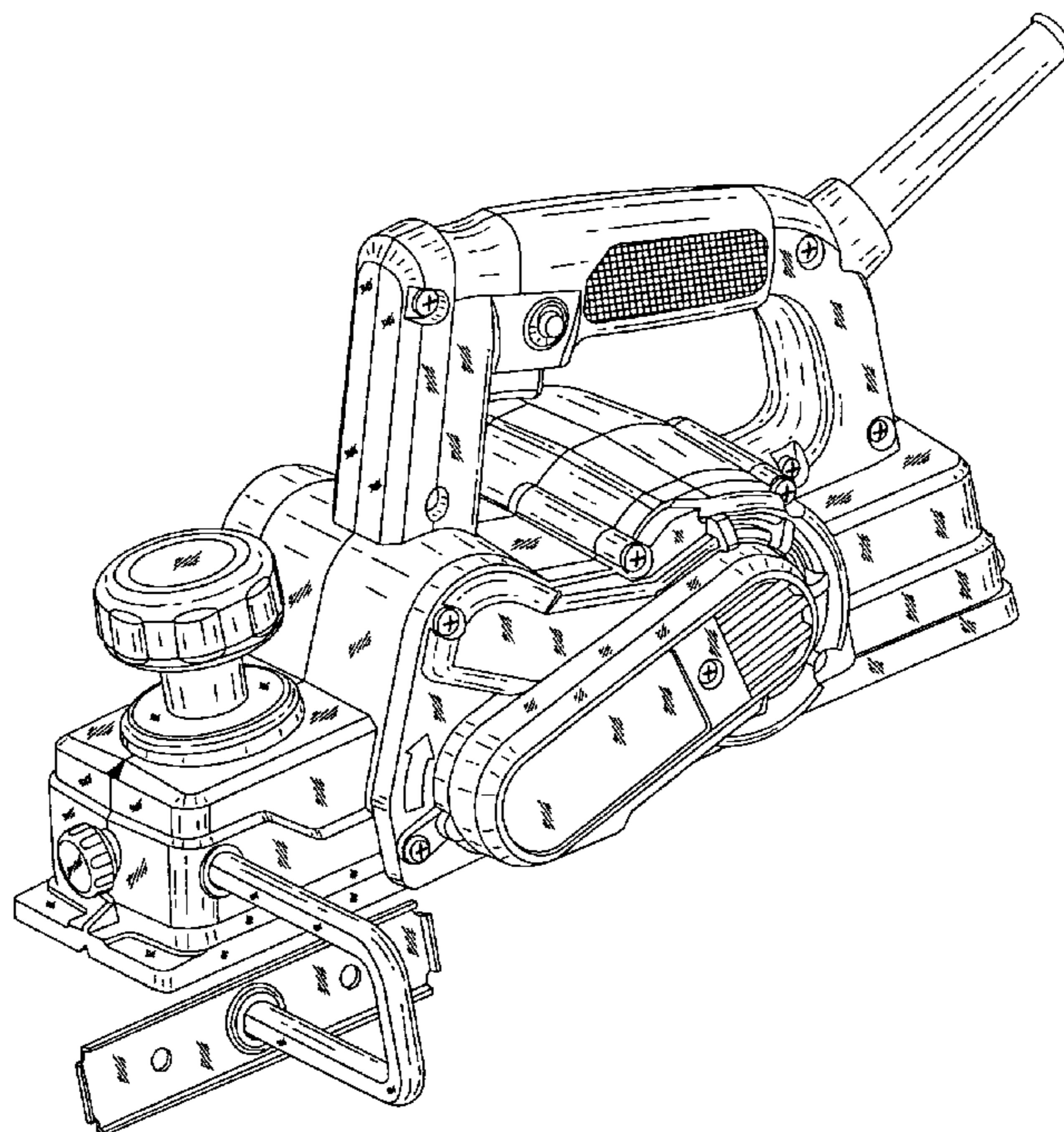
FIG. 5 is a back view thereof;

FIG. 6 is a top view thereof; and,

FIG. 7 is a bottom view thereof.

The broken lines shown in the drawings represent unclaimed portions of the planer and form no part of the claimed design.

1 Claim, 7 Drawing Sheets



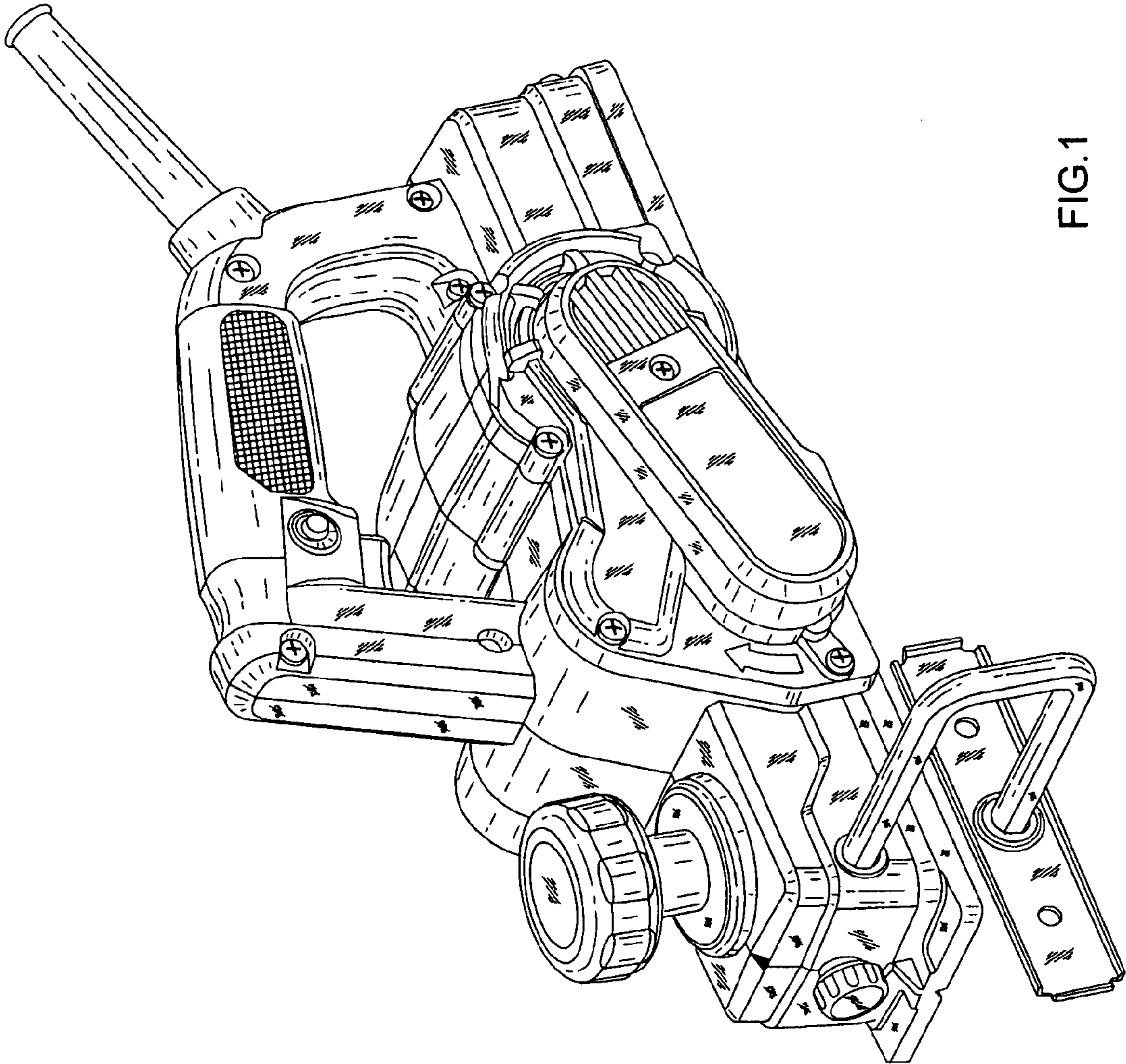


FIG.1

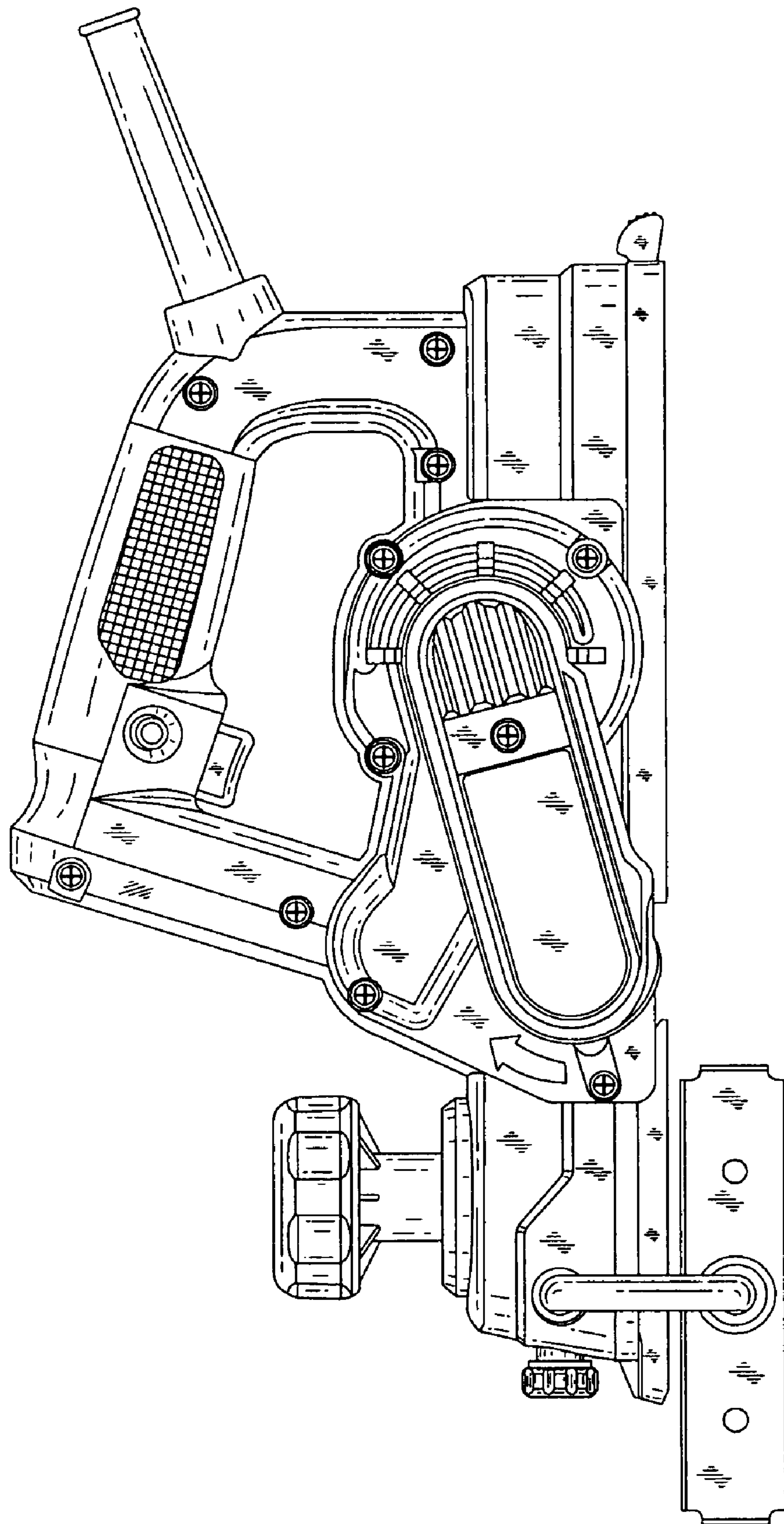


FIG.2

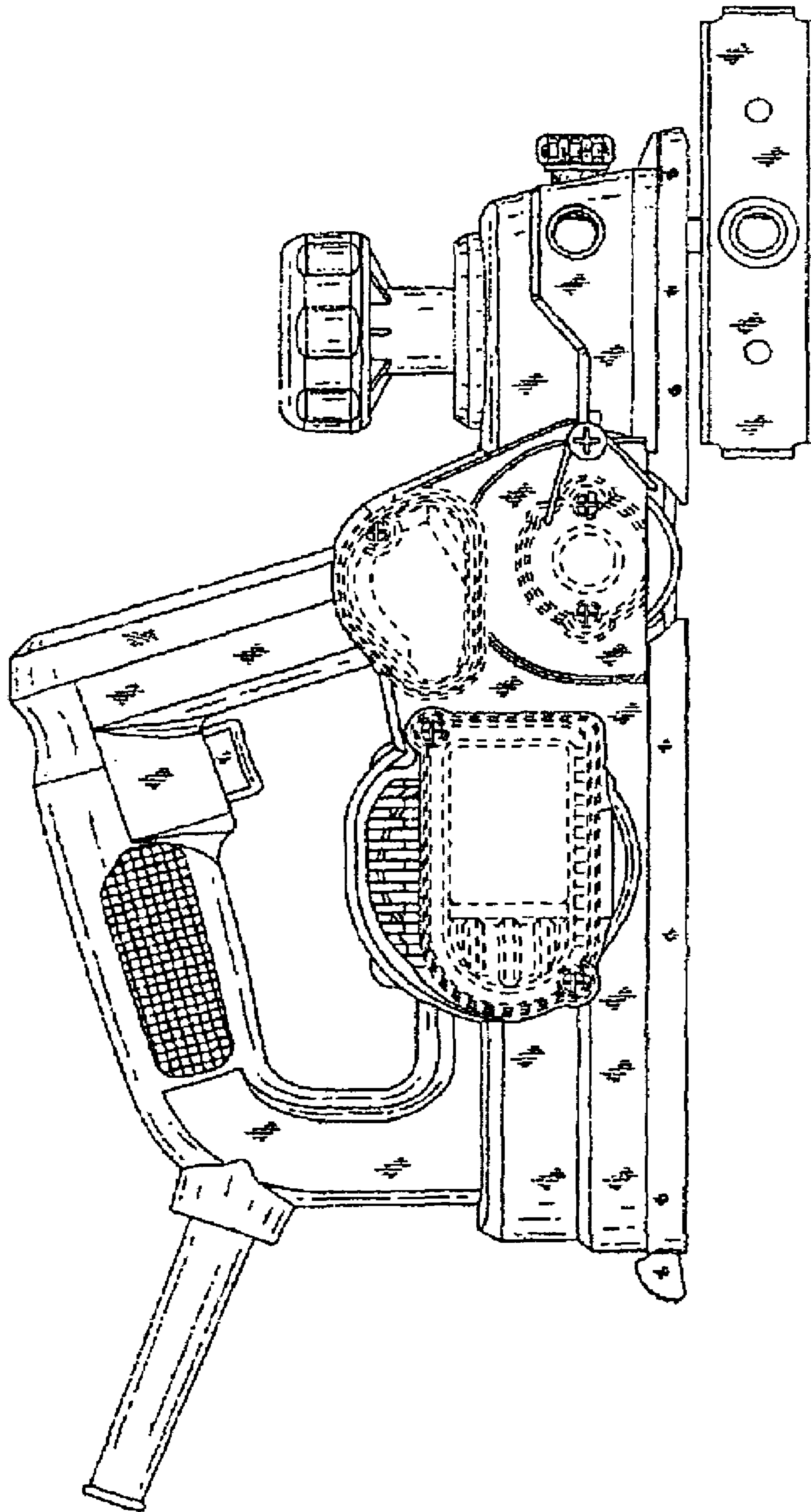


FIG.3

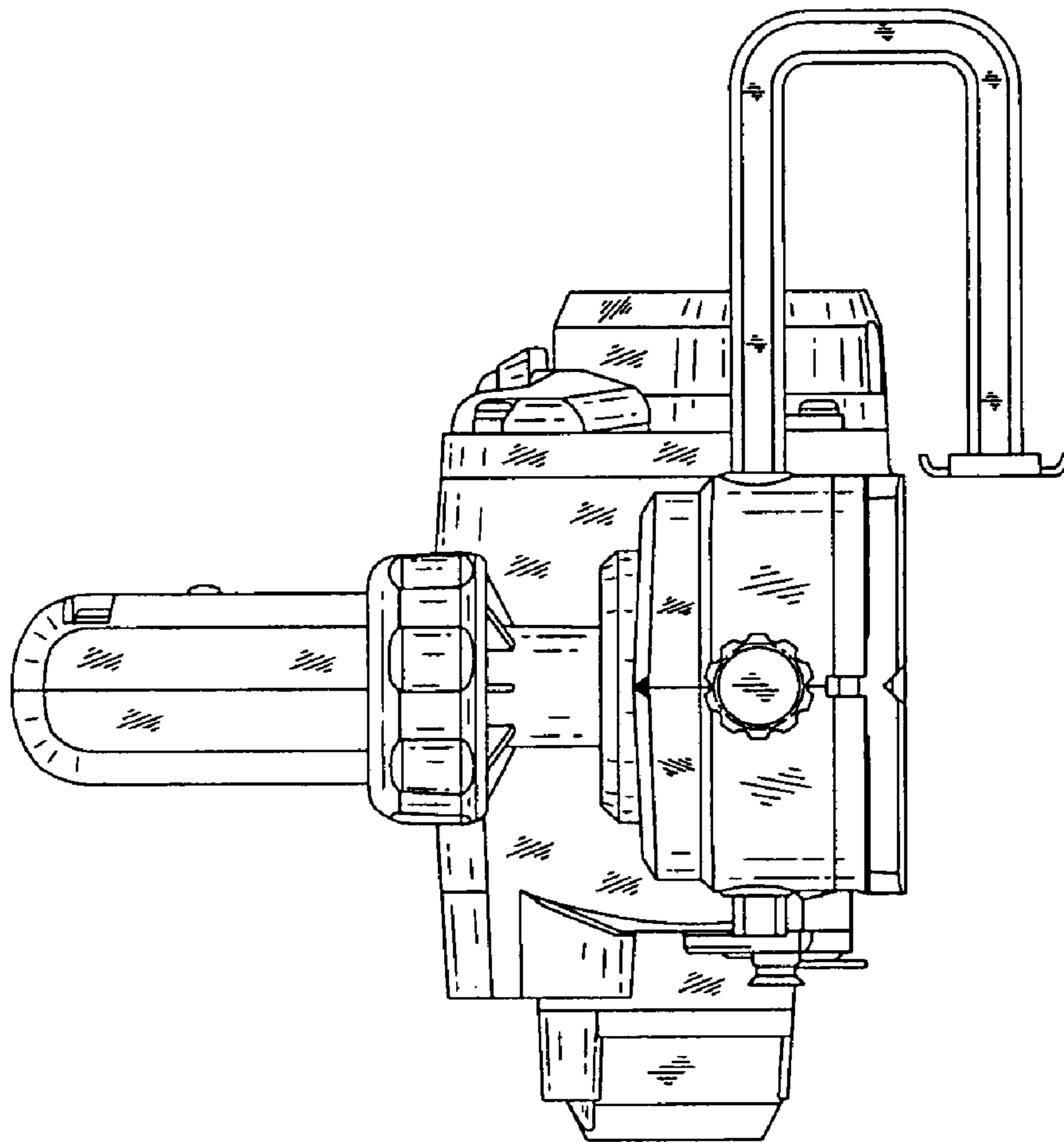


FIG.4

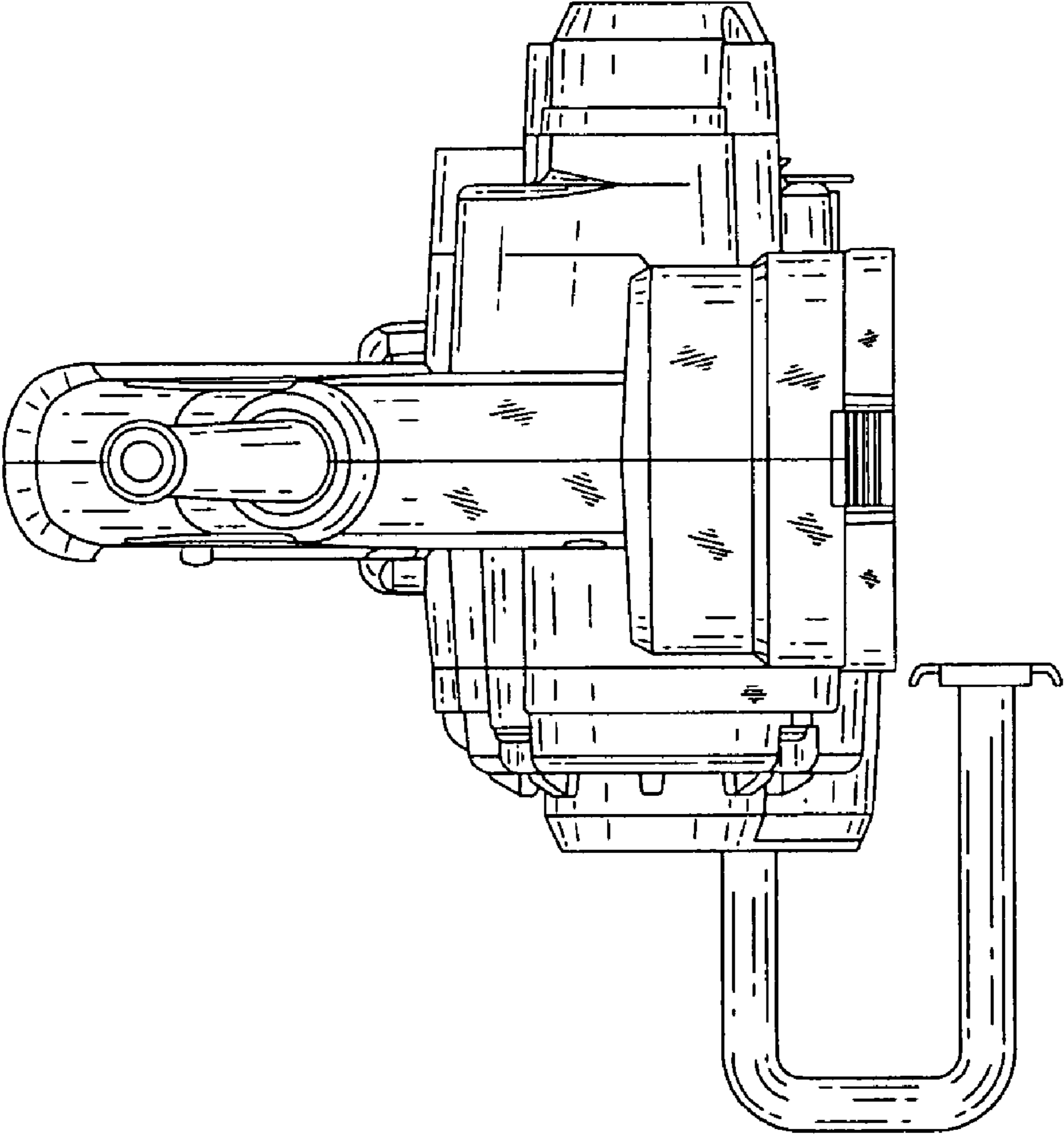


FIG.5

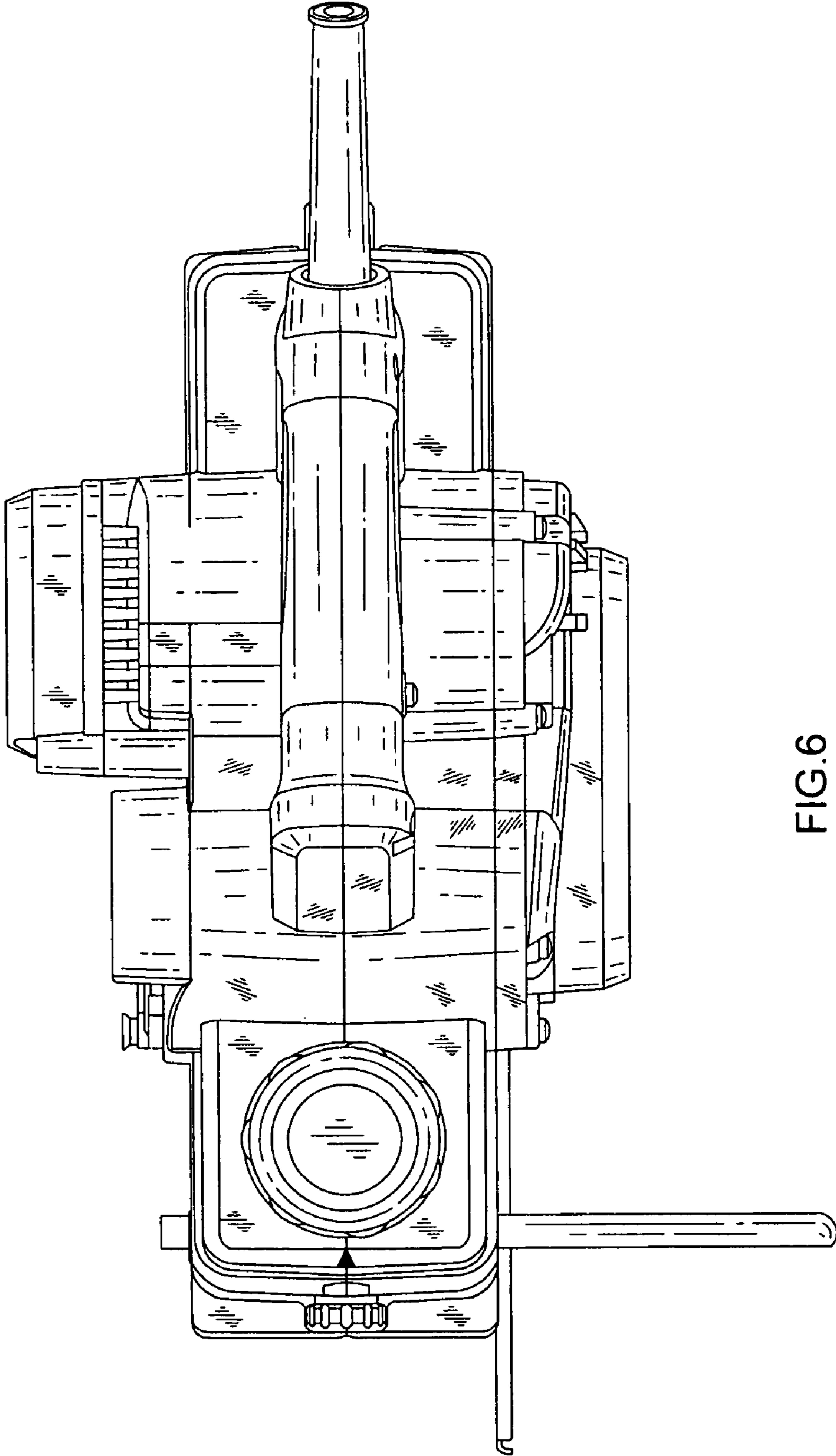


FIG.6

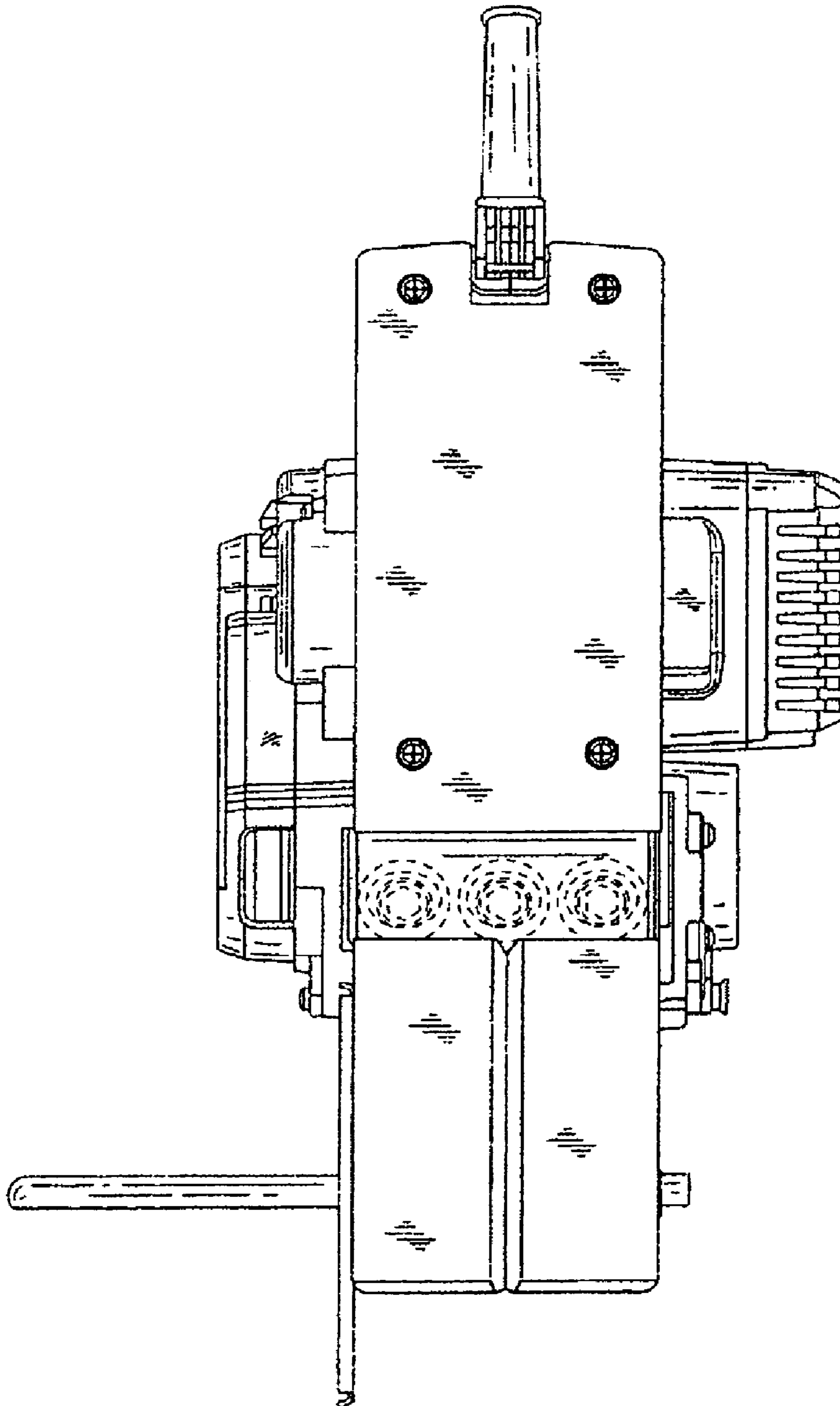


FIG.7