



US00D603672S

(12) **United States Design Patent**  
**Baxter**

(10) **Patent No.:** **US D603,672 S**  
(45) **Date of Patent:** **\*\* Nov. 10, 2009**

(54) **CORDLESS LOPPER**

(75) Inventor: **Mark Baxter**, Whickham (GB)

(73) Assignee: **Black & Decker Inc.**, Newark, DE (US)

(\*\*) Term: **14 Years**

(21) Appl. No.: **29/292,575**

(22) Filed: **Oct. 17, 2007**

(30) **Foreign Application Priority Data**

Apr. 24, 2007 (EM) ..... 000712898

(51) **LOC (9) Cl.** ..... **08-01**

(52) **U.S. Cl.** ..... **D8/61; D8/5**

(58) **Field of Classification Search** ..... D8/4,  
D8/5, 57, 260, 61, 64, 65, 66, 69; 83/397,  
83/699.21, 814, 788; 30/134, 123, 381

See application file for complete search history.

(56) **References Cited**

**U.S. PATENT DOCUMENTS**

4,365,416	A *	12/1982	Overbury	.....	30/382
5,685,080	A *	11/1997	Amano et al.	.....	30/383
D389,026	S *	1/1998	Amano et al.	.....	D8/65
D481,601	S *	11/2003	Ashfield	.....	D8/65
D550,048	S *	9/2007	Robson	.....	D8/5
2005/0022389	A1 *	2/2005	Stones et al.	.....	30/123
2005/0028378	A1 *	2/2005	Stones et al.	.....	30/134

\* cited by examiner

*Primary Examiner*—Cathron C Brooks

*Assistant Examiner*—Austin Murphy

(74) *Attorney, Agent, or Firm*—John Yun; Bruce S. Shapiro;  
Wesley Muller

(57) **CLAIM**

The ornamental design for a cordless lopper, as shown and described.

**DESCRIPTION**

FIG. 1 is a perspective view of a cordless lopper showing my new design with jaws open.

FIG. 2 is a left side view of a cordless lopper according to FIG. 1.

FIG. 3 is a right side view of a cordless lopper according to FIG. 1.

FIG. 4 is a front view of a cordless lopper according to FIG. 1.

FIG. 5 is a rear view of a cordless lopper according to FIG. 1.

FIG. 6 is a top view of a cordless lopper according to FIG. 1.

FIG. 7 is a bottom view of a cordless lopper according to FIG. 1.

FIG. 8 is a perspective view of a cordless lopper showing my new design with jaws closed.

FIG. 9 is a left side view of a cordless lopper according to FIG. 8.

FIG. 10 is a right side view of a cordless lopper according to FIG. 8.

FIG. 11 is a front view of a cordless lopper according to FIG. 8.

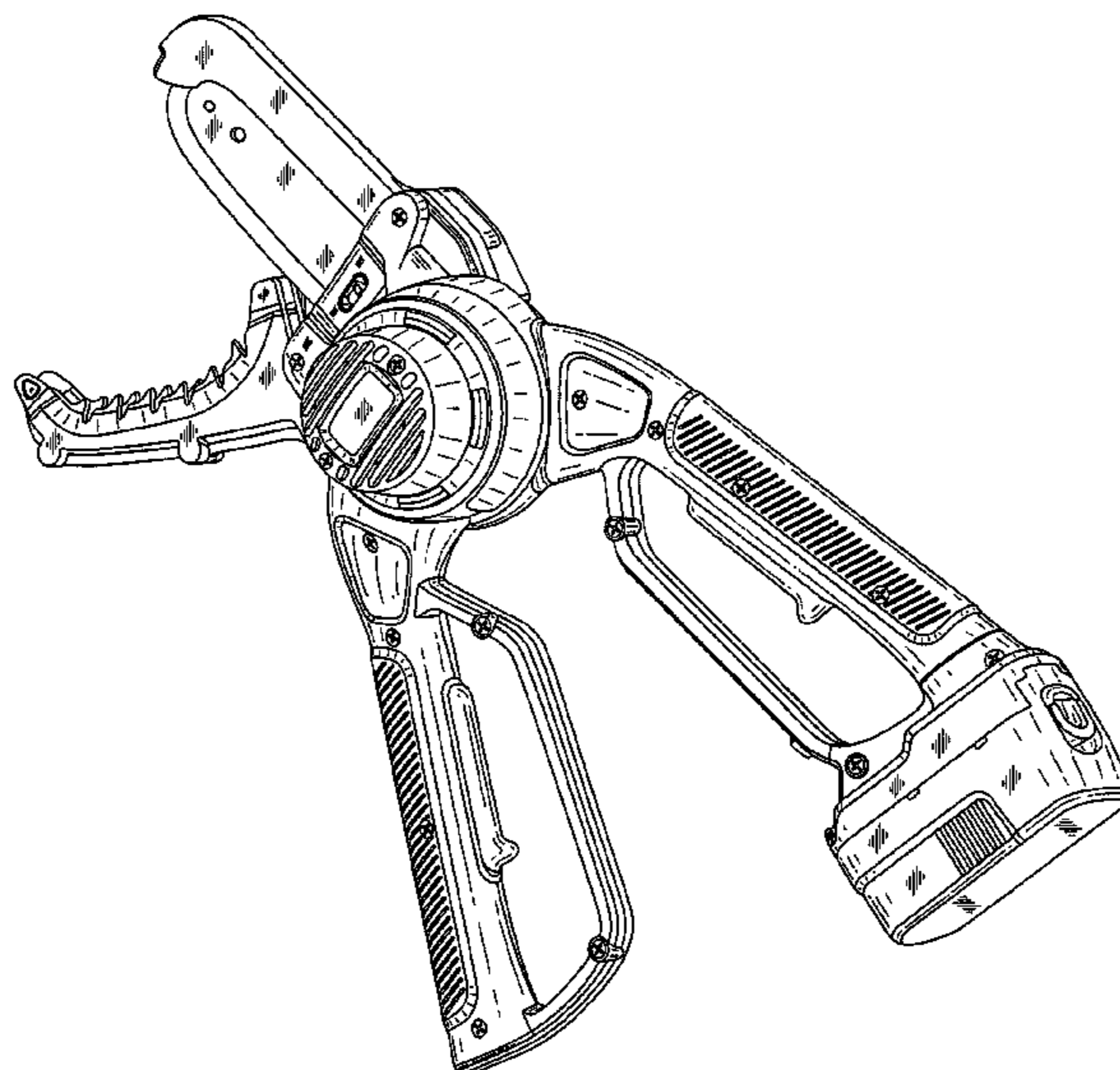
FIG. 12 is a rear view of a cordless lopper according to FIG. 8.

FIG. 13 is a top view of a cordless lopper according to FIG. 8; and,

FIG. 14 is a bottom view of a cordless lopper according to FIG. 8.

The broken lines shown in the drawings represent unclaimed portions of the cordless lopper and form no part of the claimed design.

**1 Claim, 10 Drawing Sheets**



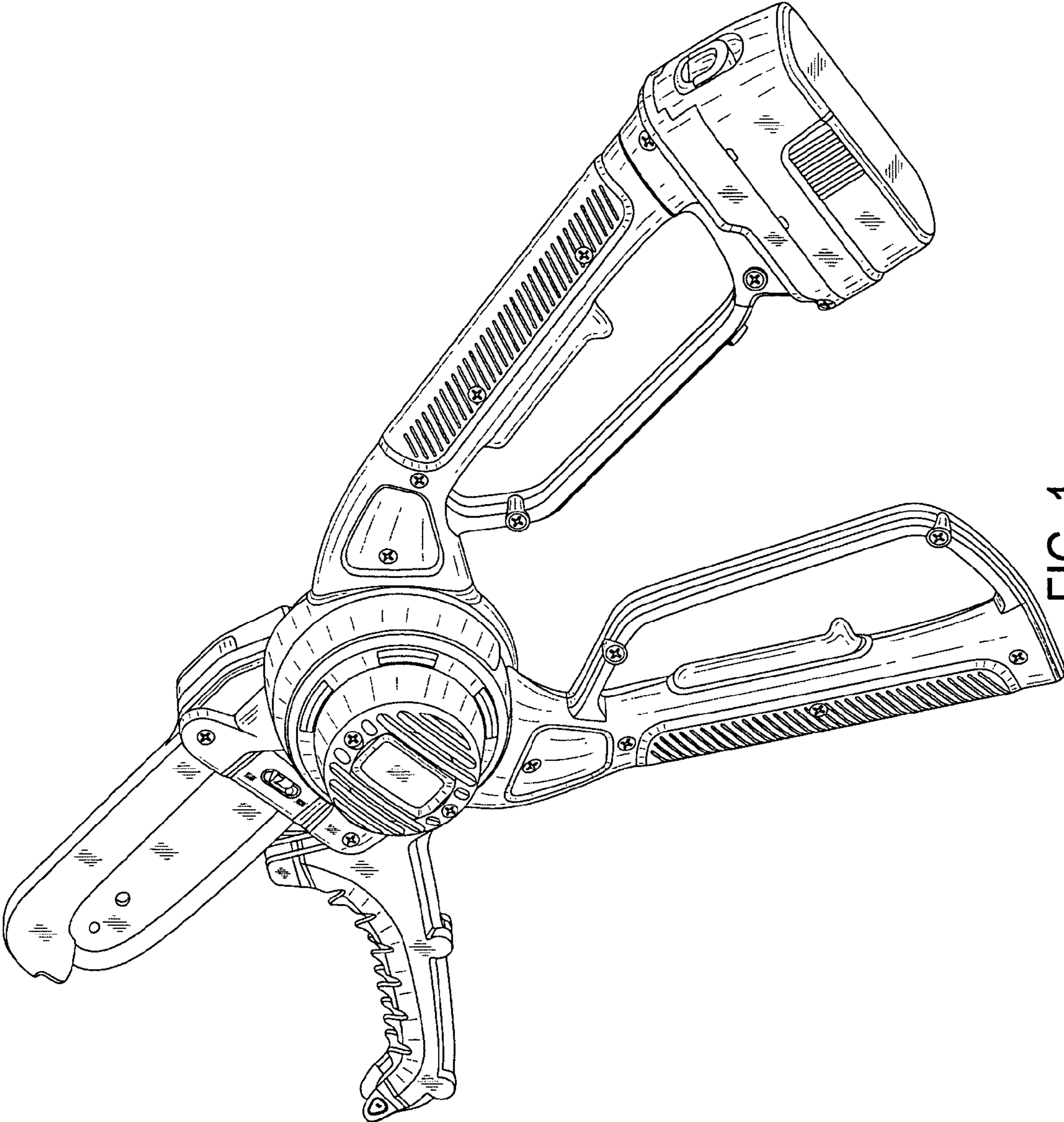


FIG. 1



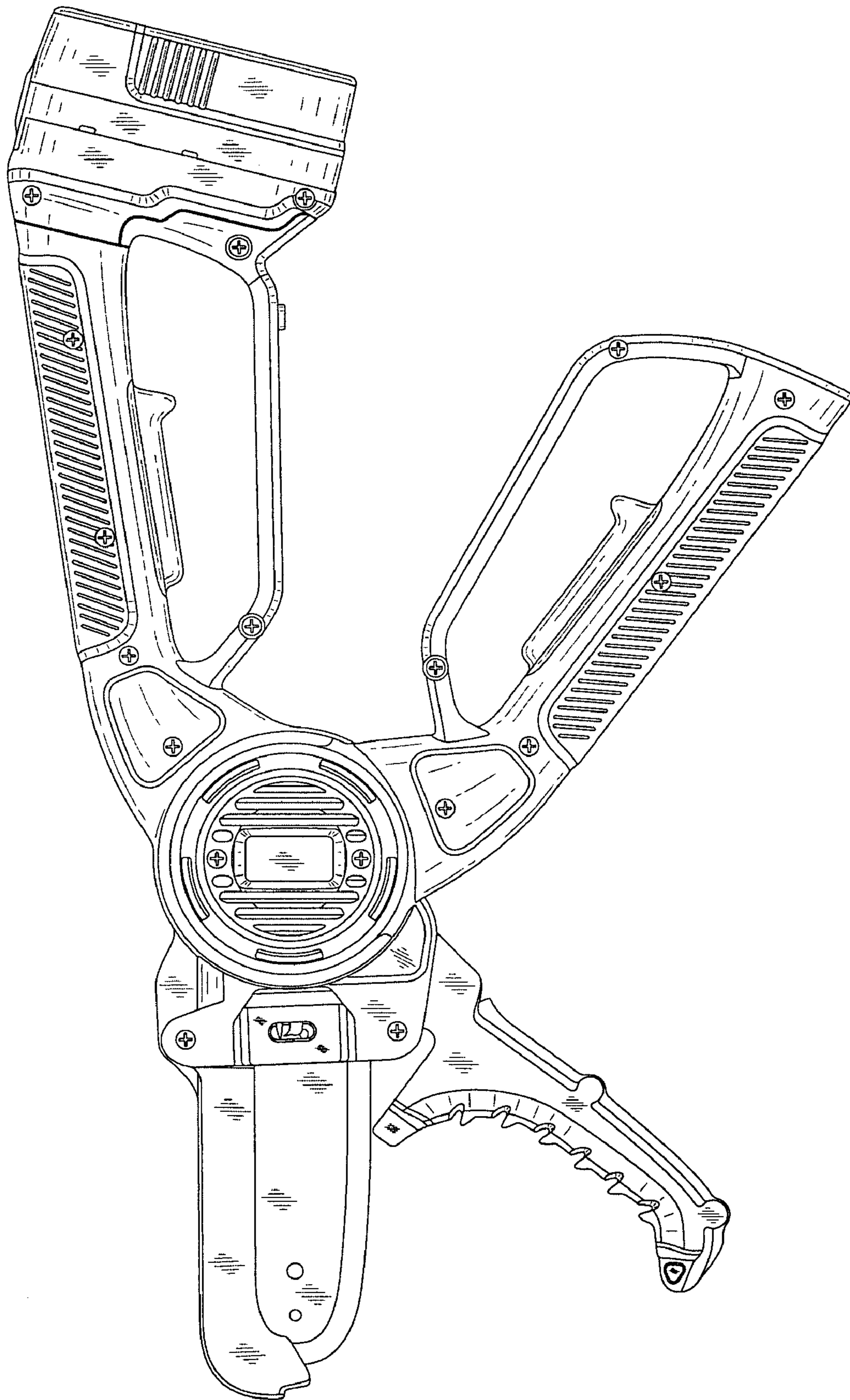


FIG. 2

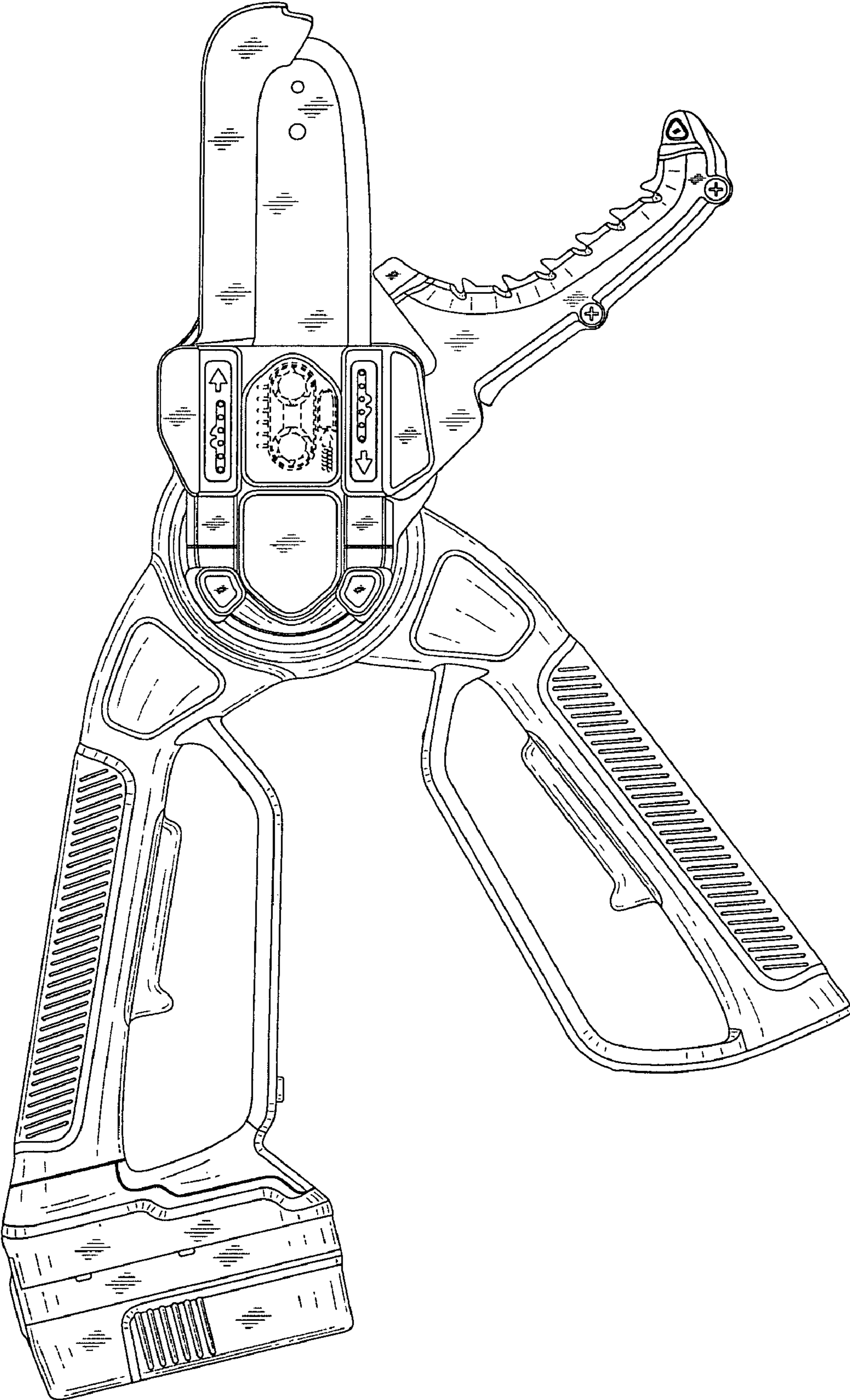


FIG. 3

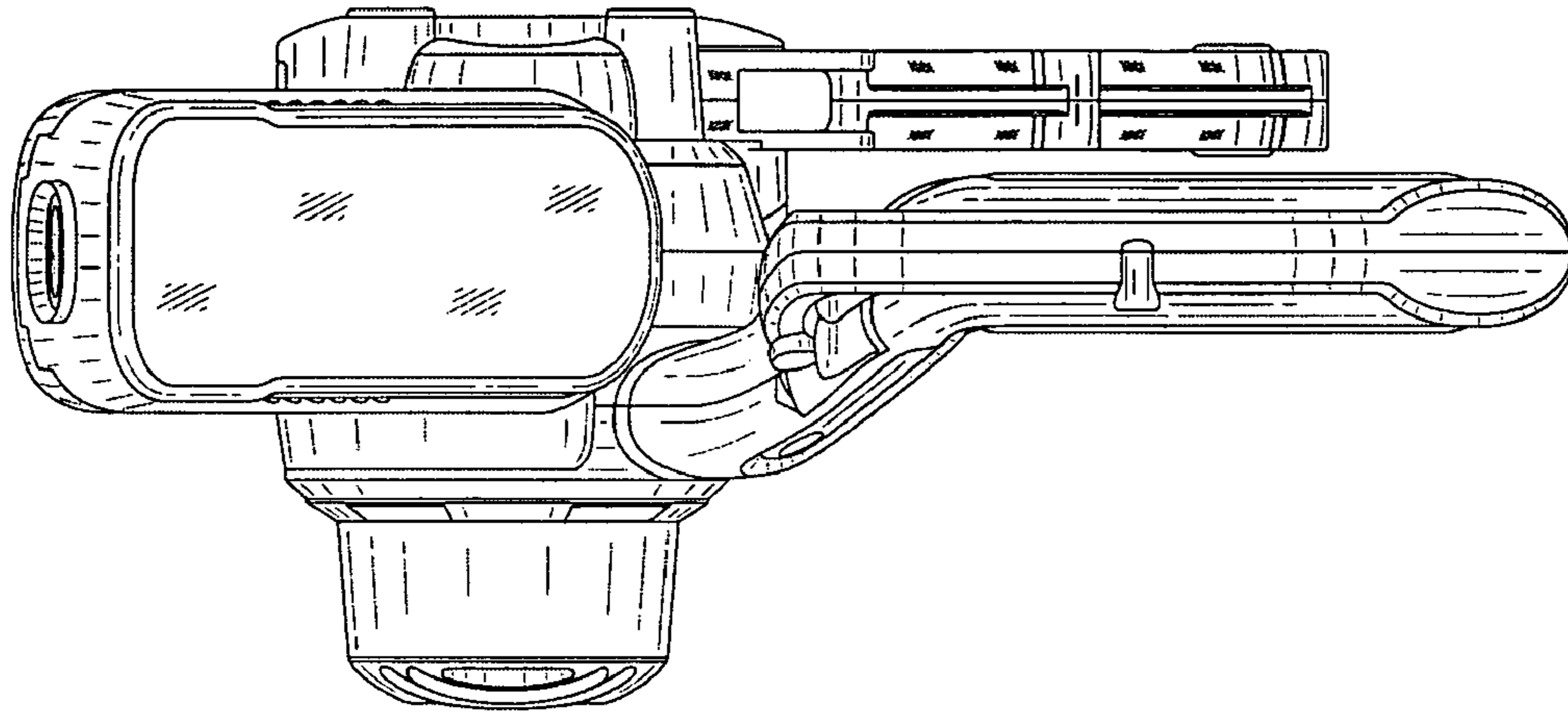


FIG. 5

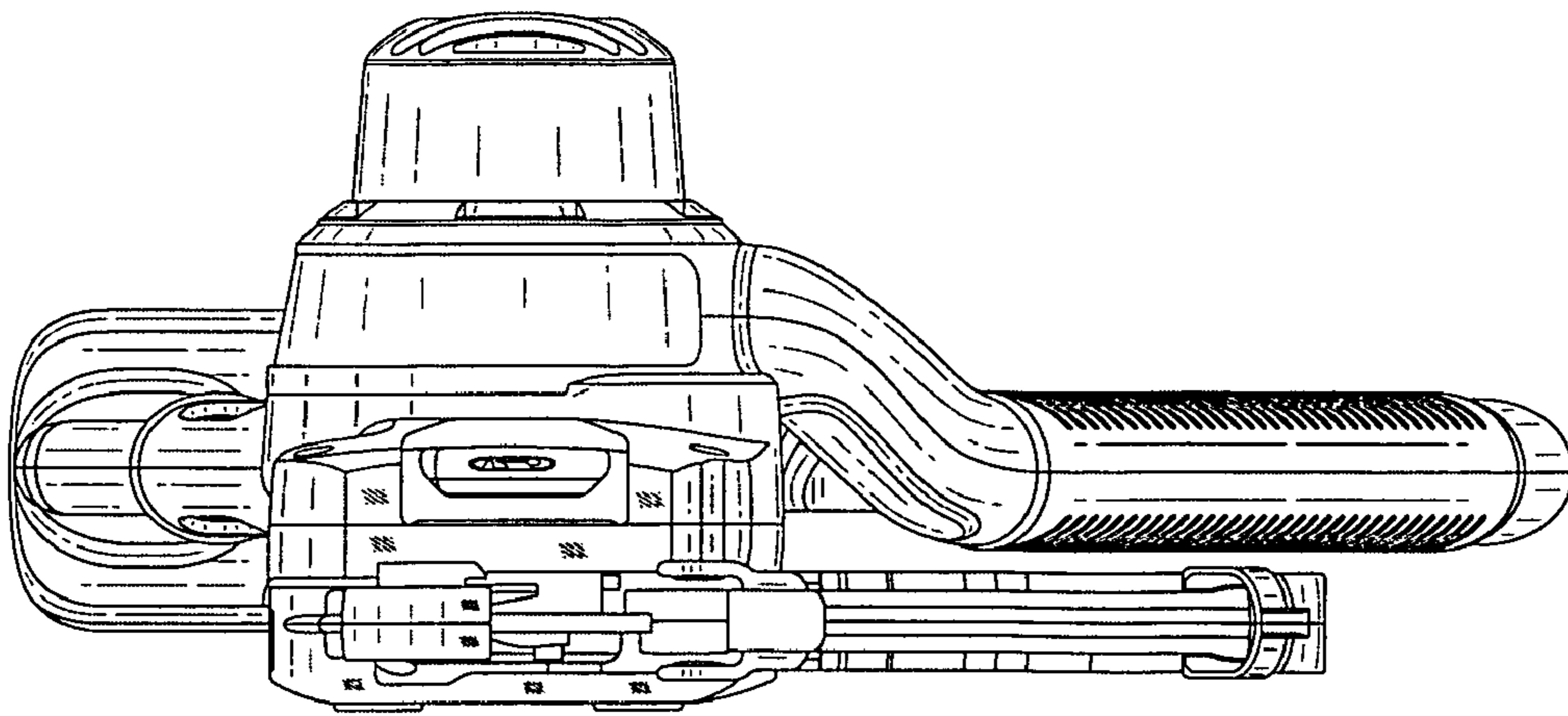


FIG. 4



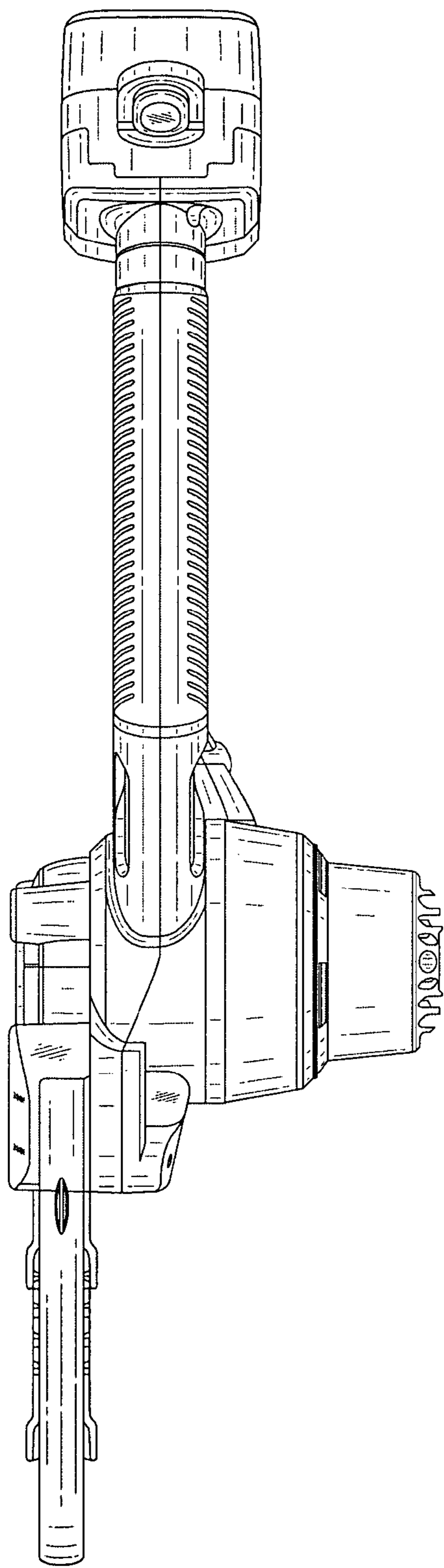


FIG. 6

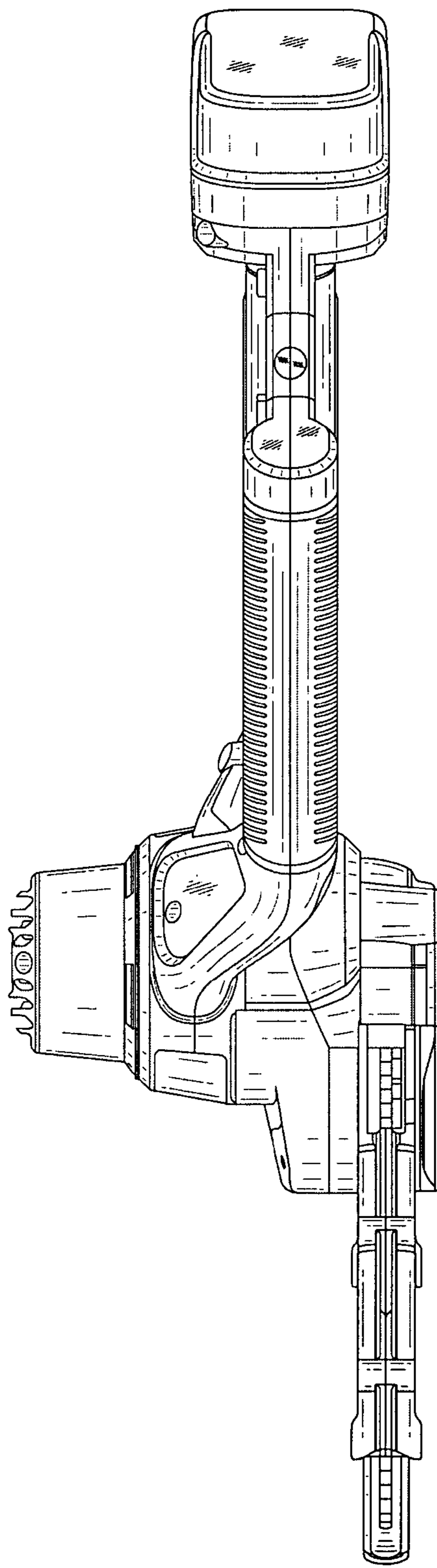


FIG. 7

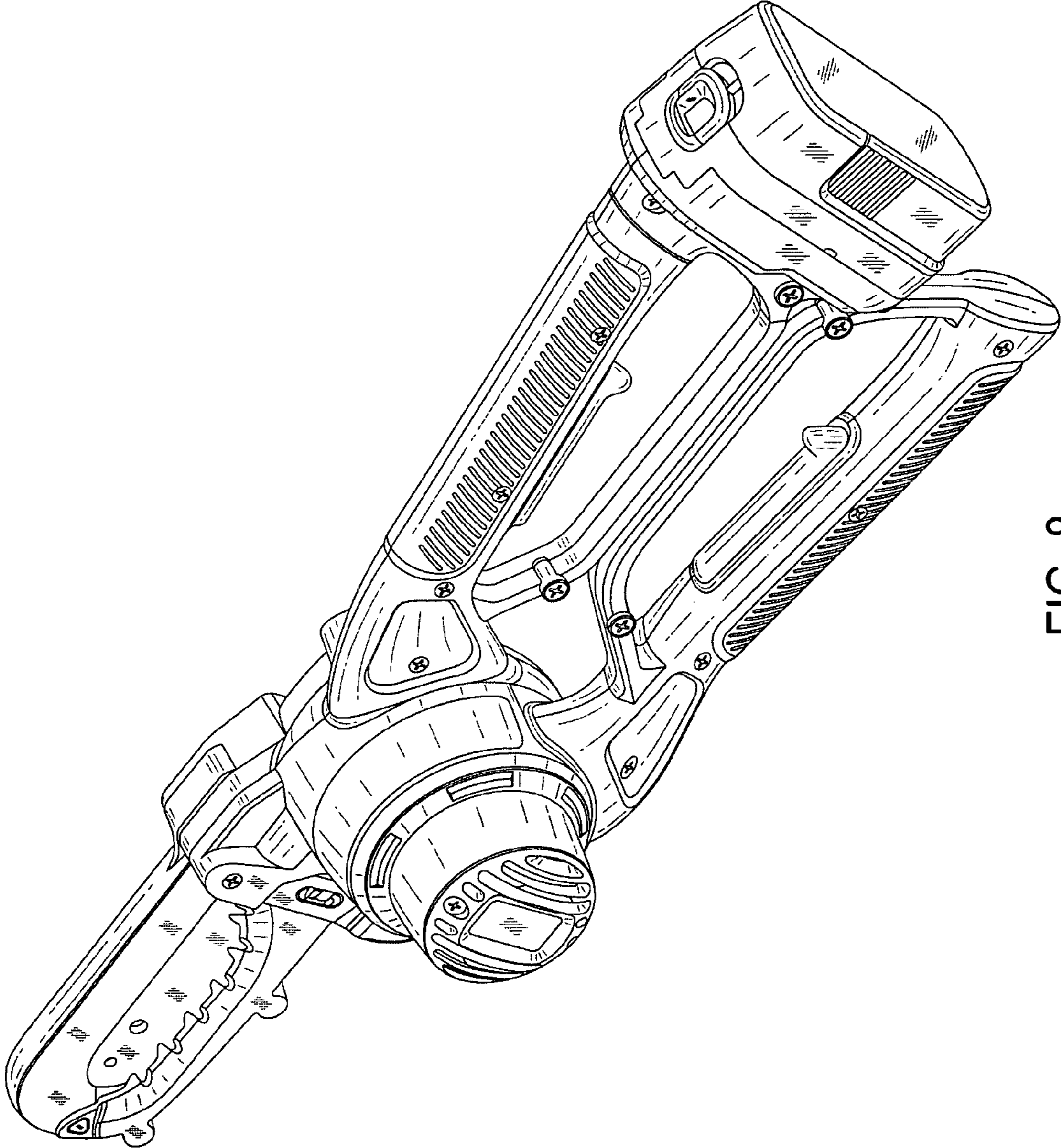


FIG. 8

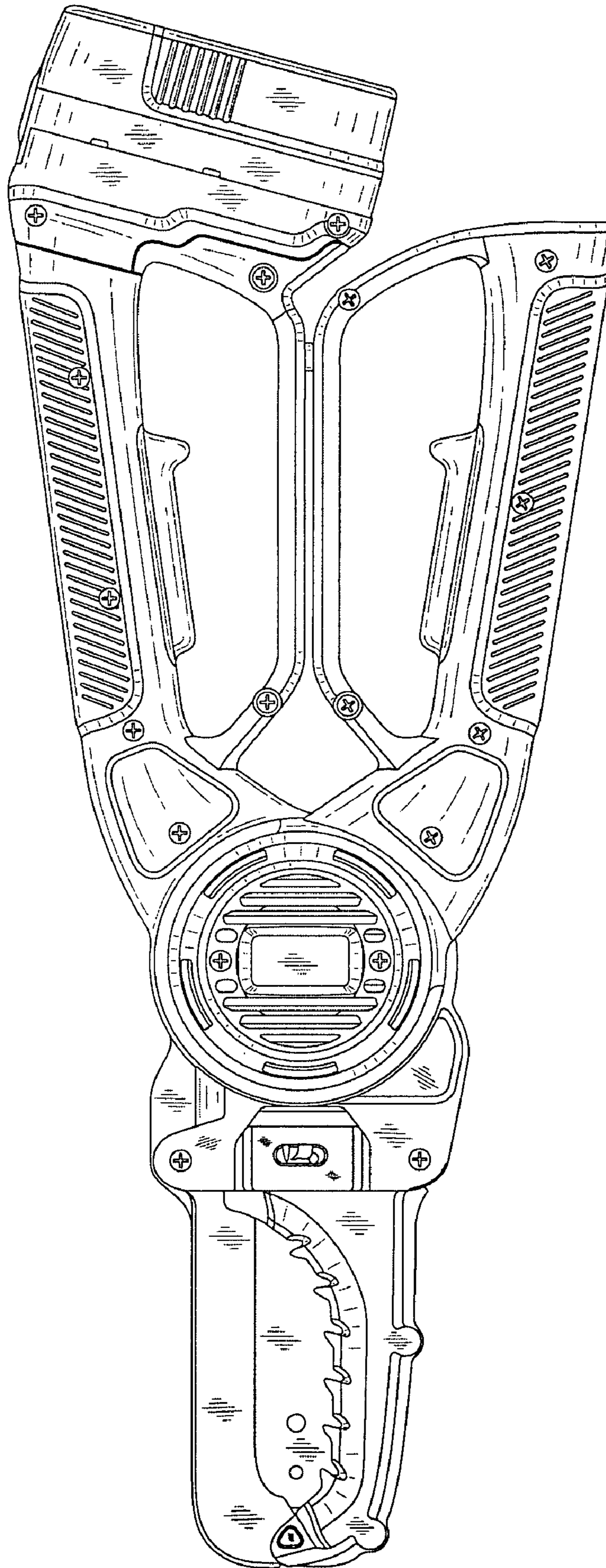


FIG. 9



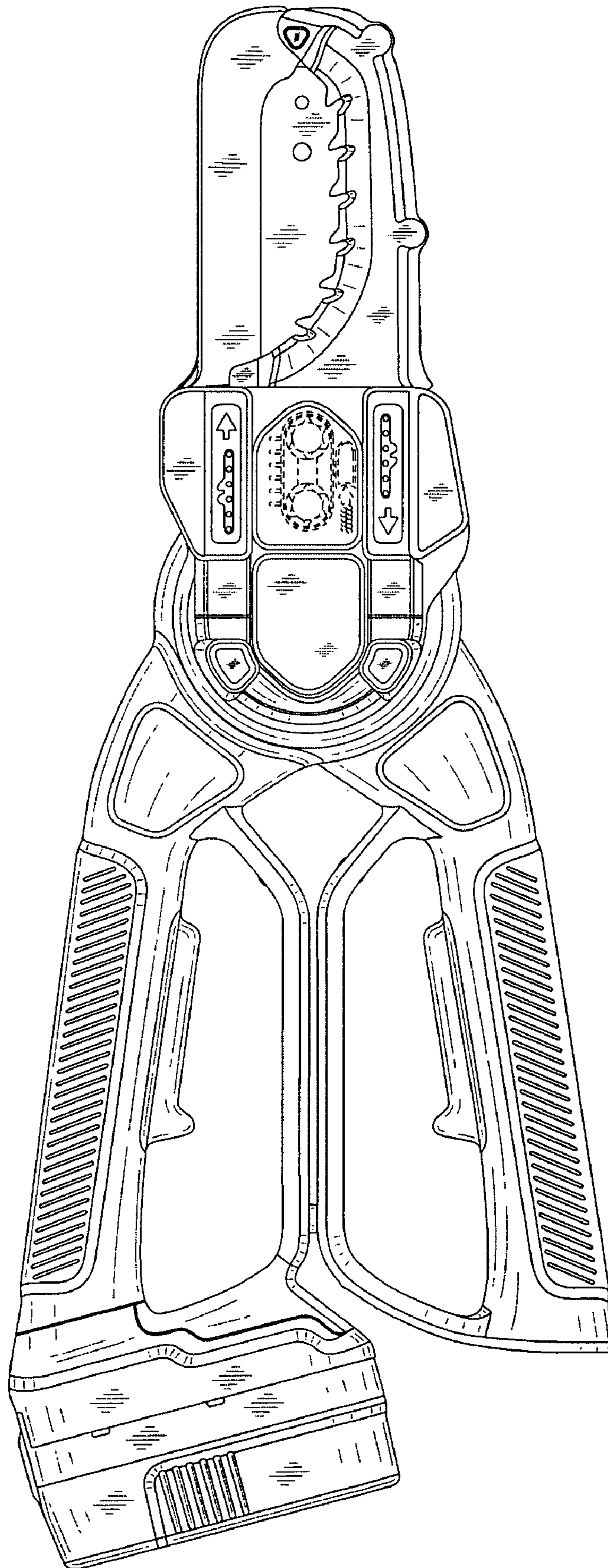


FIG. 10

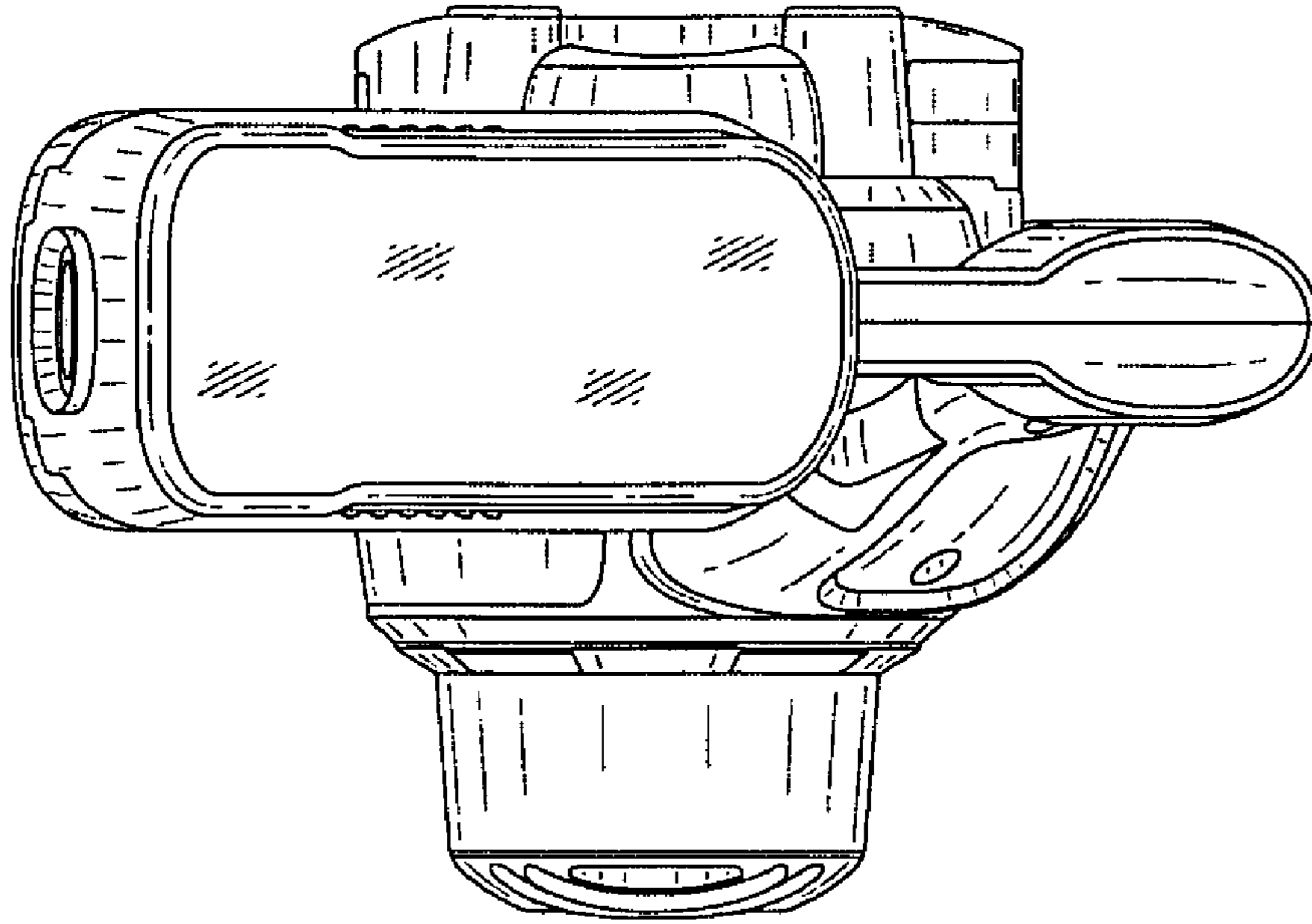


FIG. 12

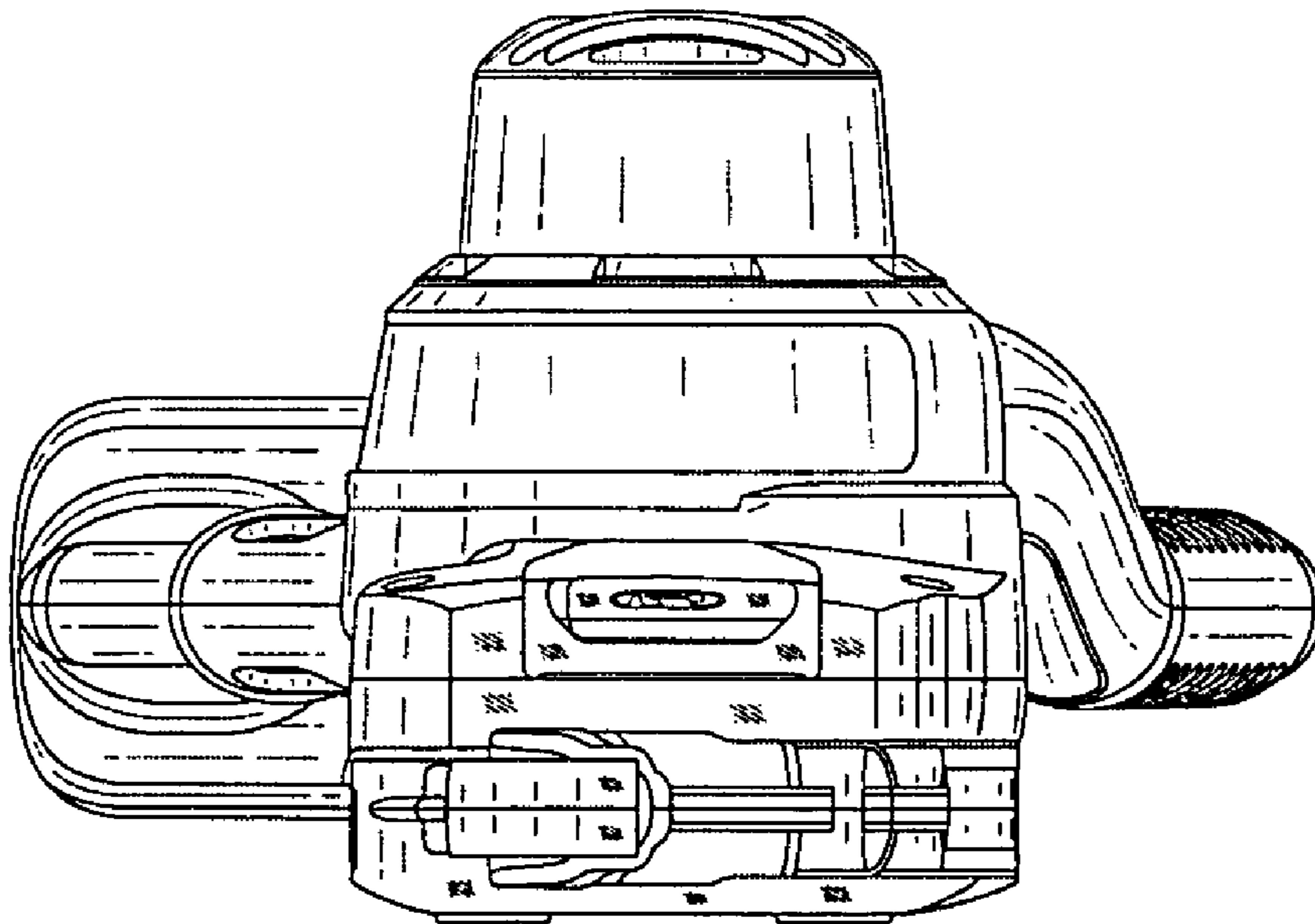


FIG. 11

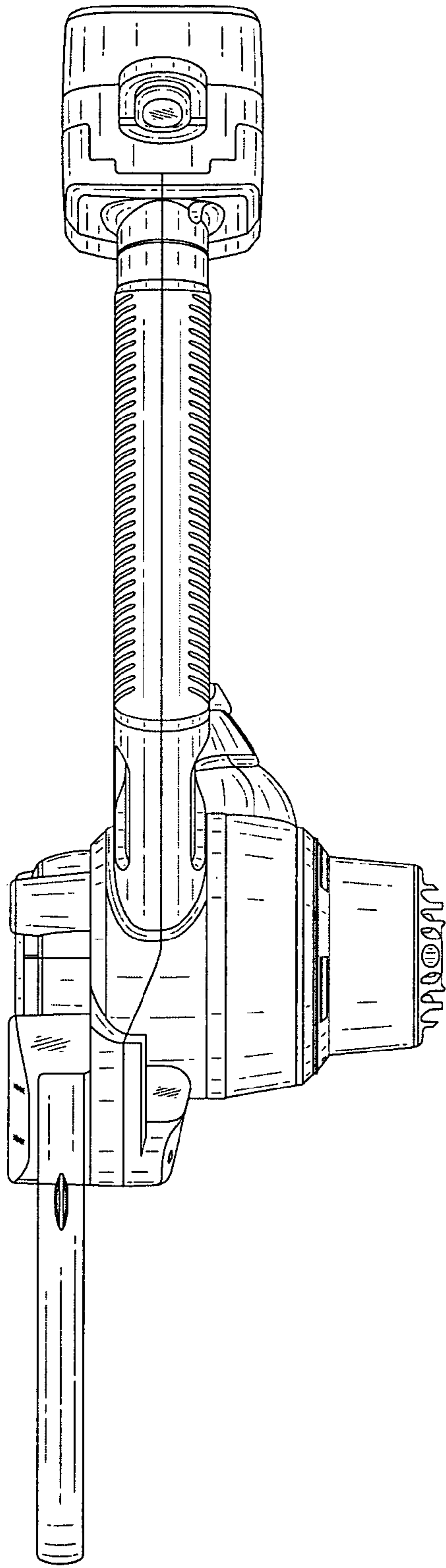


FIG. 13

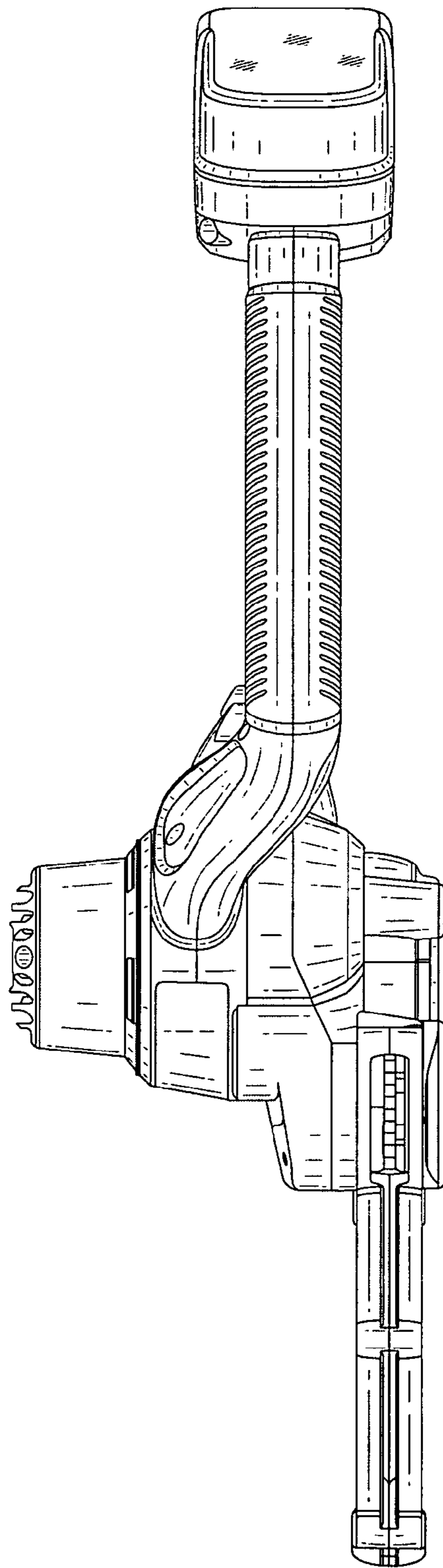


FIG. 14