

US00D603671S

(12) **United States Design Patent**
Tippmann, Sr.

(10) **Patent No.:** **US D603,671 S**

(45) **Date of Patent:** **** Nov. 10, 2009**

(54) **APPARATUS FOR WORKING PLIABLE MATERIAL**

(75) **Inventor:** **Dennis J. Tippmann, Sr.**, New Haven, IN (US)

(73) **Assignee:** **Tippmann Industrial Products, Inc.**, Fort Wayne, IN (US)

(**) **Term:** **14 Years**

(21) **Appl. No.:** **29/238,169**

(22) **Filed:** **Sep. 12, 2005**

(51) **LOC (9) Cl.** **08-05**

(52) **U.S. Cl.** **D8/59**

(58) **Field of Classification Search** D8/1,
D8/14, 44, 51, 52, 59, 60, 61, 70-74, 105-107;
D15/66, 122, 123, 127, 128, 135, 199; D18/14,
D18/34.1, 99; D32/1, 6, 7; 69/1, 2, 33, 37,
69/19, 20

See application file for complete search history.

(56) **References Cited**

U.S. PATENT DOCUMENTS

443,679	A *	12/1890	James	69/1
1,059,200	A *	4/1913	Parkinson et al.	69/2
1,390,612	A *	9/1921	Hickey	83/429
1,964,674	A *	6/1934	Pizza	12/85
2,153,890	A *	4/1939	Honig	D15/128
D152,931	S *	3/1949	Taylor	D32/7
3,264,978	A *	8/1966	Staley	101/23
4,218,901	A *	8/1980	Hacking	69/21
D343,176	S *	1/1994	Gonzales	D15/122
D377,358	S *	1/1997	Tippmann, Sr.	D15/69
5,615,592	A *	4/1997	Tippmann	
5,694,871	A *	12/1997	Tippmann, Sr.	112/154

D508,701	S *	8/2005	Corcoran et al.	D15/123
7,309,222	B2 *	12/2007	Tippmann, Sr.	425/181
7,360,482	B2 *	4/2008	Deng et al.	100/176
2005/0253324	A1 *	11/2005	Corcoran et al.	271/15

OTHER PUBLICATIONS

Tippmann Industrial Products Operator's Manual for the "Clicker" Air Operated Die Cutting Machine, dated Sep. 1, 2004.*
Tippmann Industrial Products Operator's Manual for the Hand Operated Embossing, Creasing and Cutting Machine "Embosser", dated Sep. 1, 2004.*

* cited by examiner

Primary Examiner—Cathron C Brooks

Assistant Examiner—Deanna Fluegeman

(74) *Attorney, Agent, or Firm*—Barnes & Thornburg LLP

(57) **CLAIM**

The ornamental design for an apparatus for working pliable material, as shown and described.

DESCRIPTION

FIG. 1 is a front view of the claimed design.

FIG. 2 is a side view of the design shown in FIG. 1.

FIG. 3 is an opposite side view of the design shown in FIGS. 1 and 2.

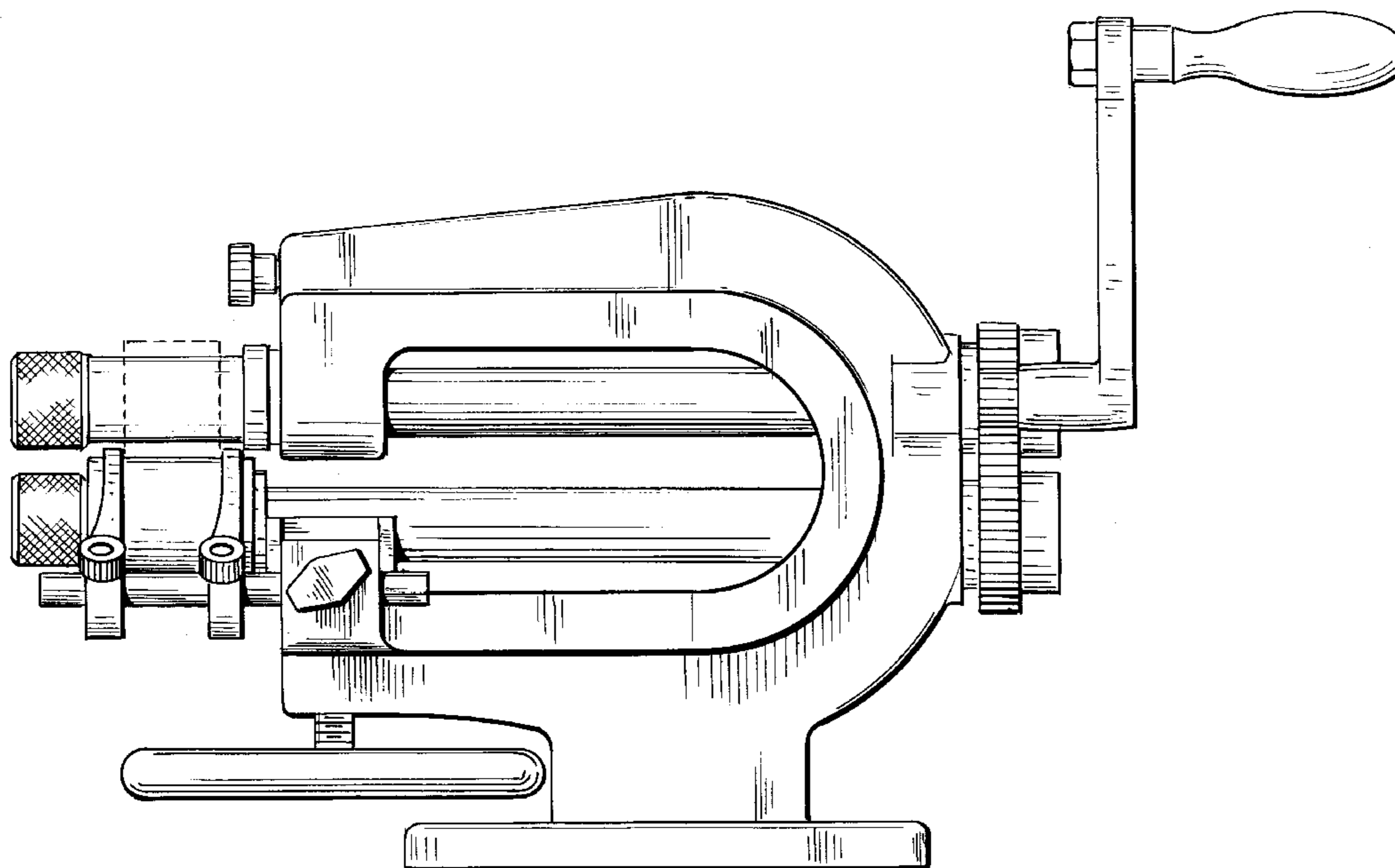
FIG. 4 is a top view of the design shown in FIGS. 1, 2, and 3.

FIG. 5 is a bottom view of the design shown in FIGS. 1-4; and,

FIG. 6 is a rear view of the design shown in FIGS. 1-5.

The broken lines in the drawings illustrate unclaimed portions of the apparatus for working pliable material and form no part of the claimed design.

1 Claim, 5 Drawing Sheets



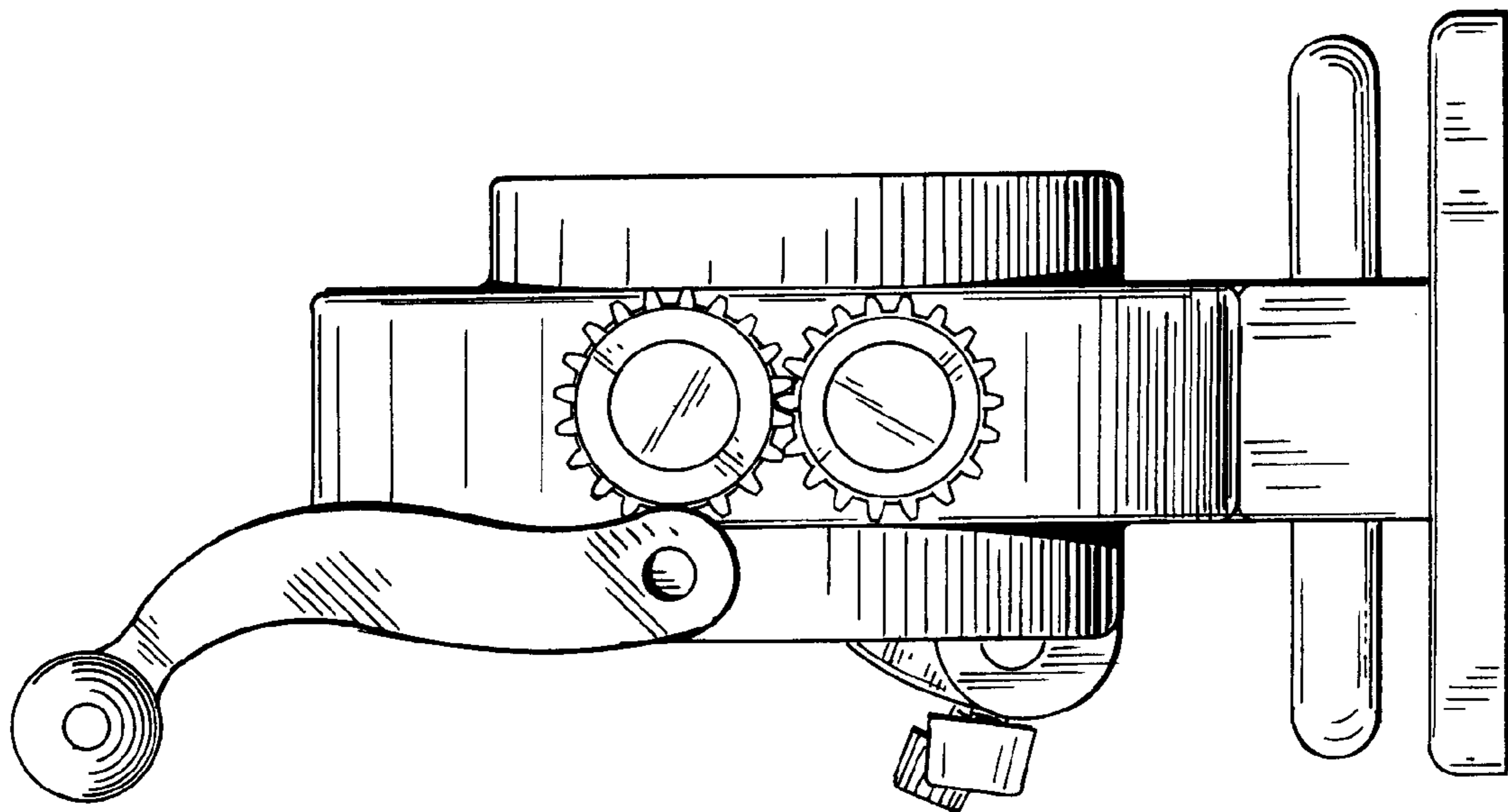


FIG. 6

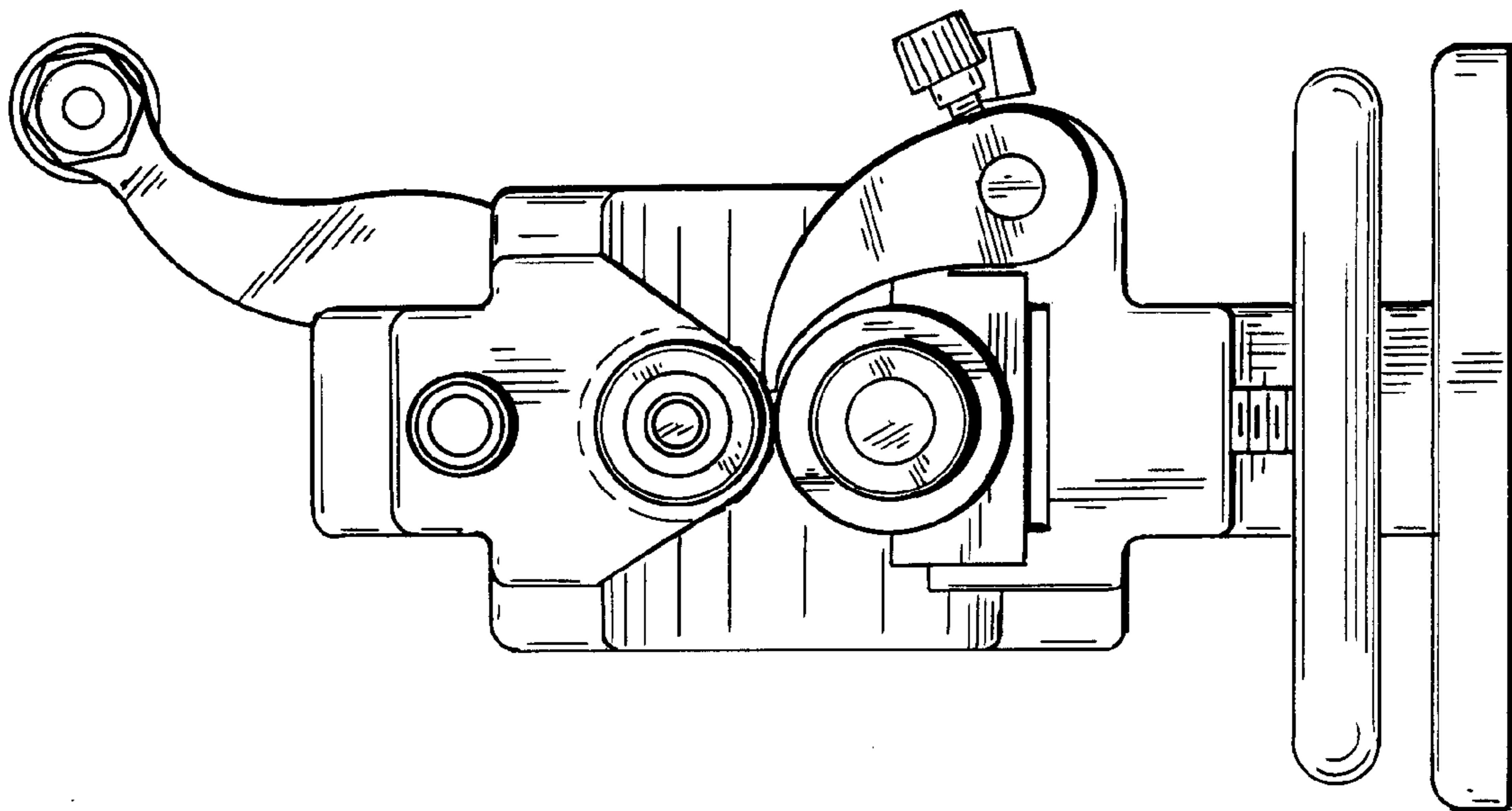


FIG. 7

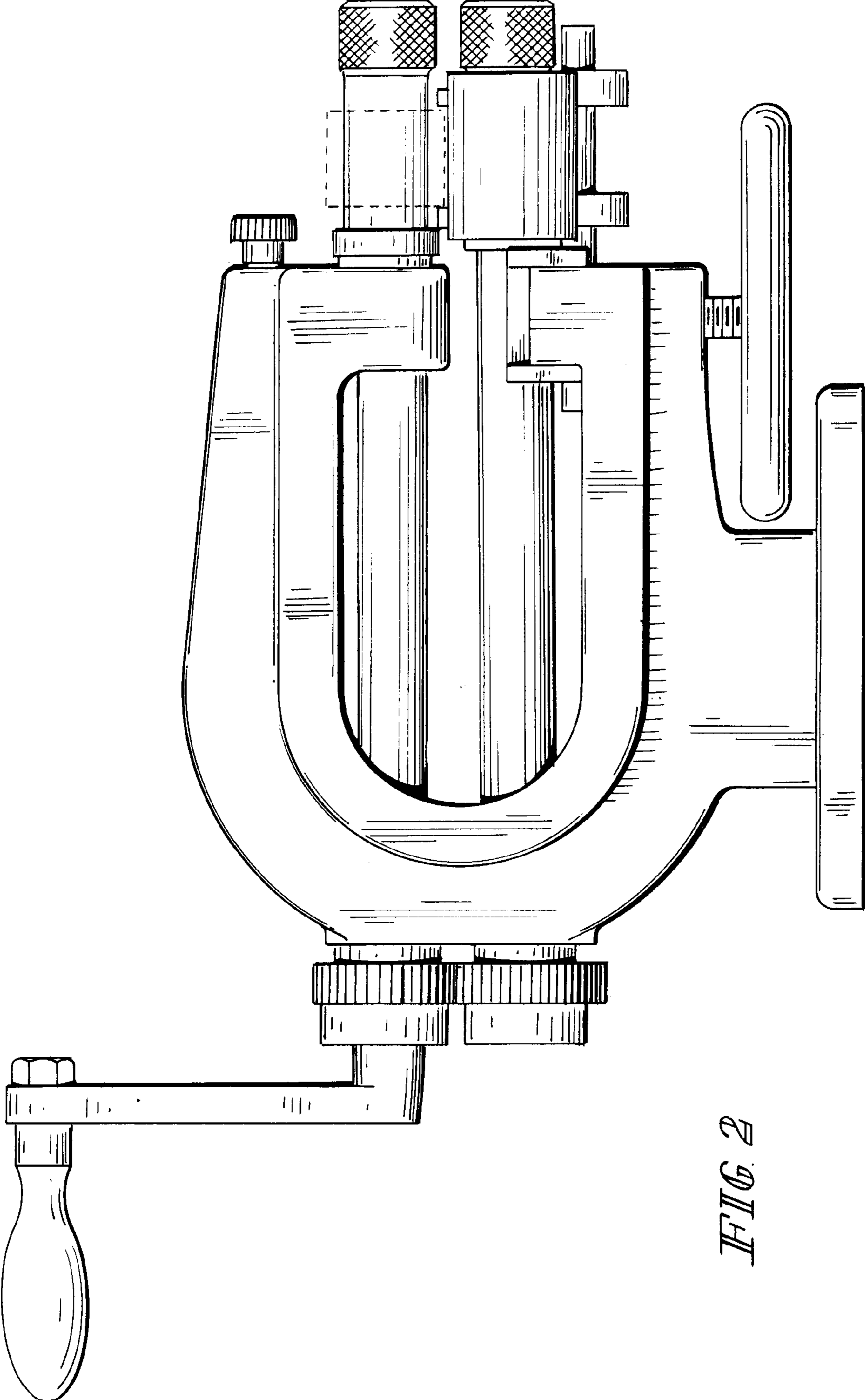


FIG. 2

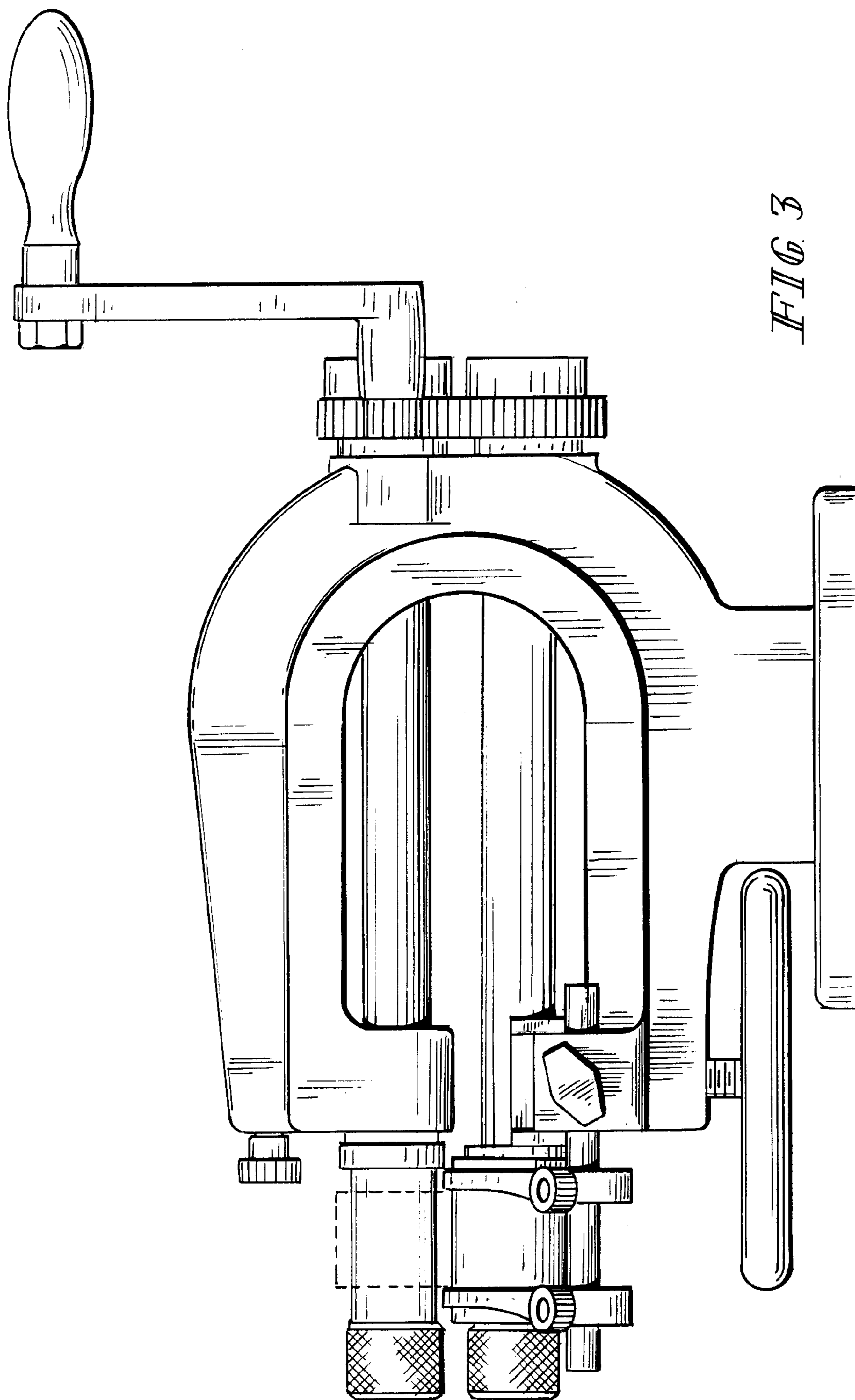


FIG 3

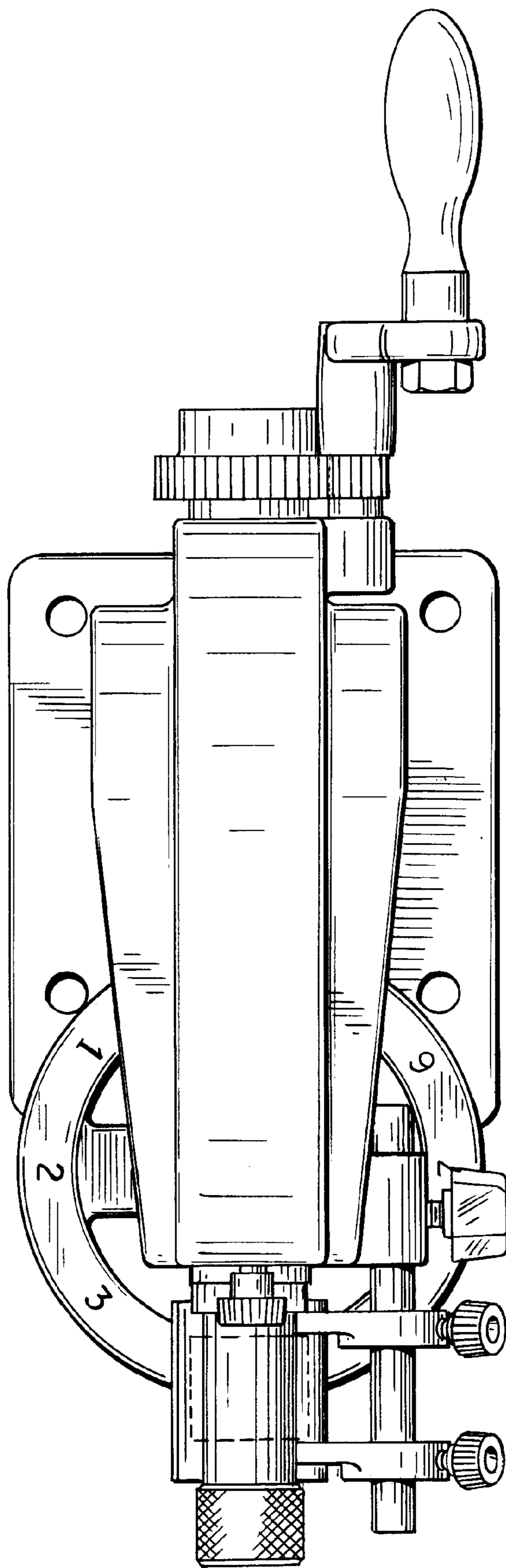


FIG 4

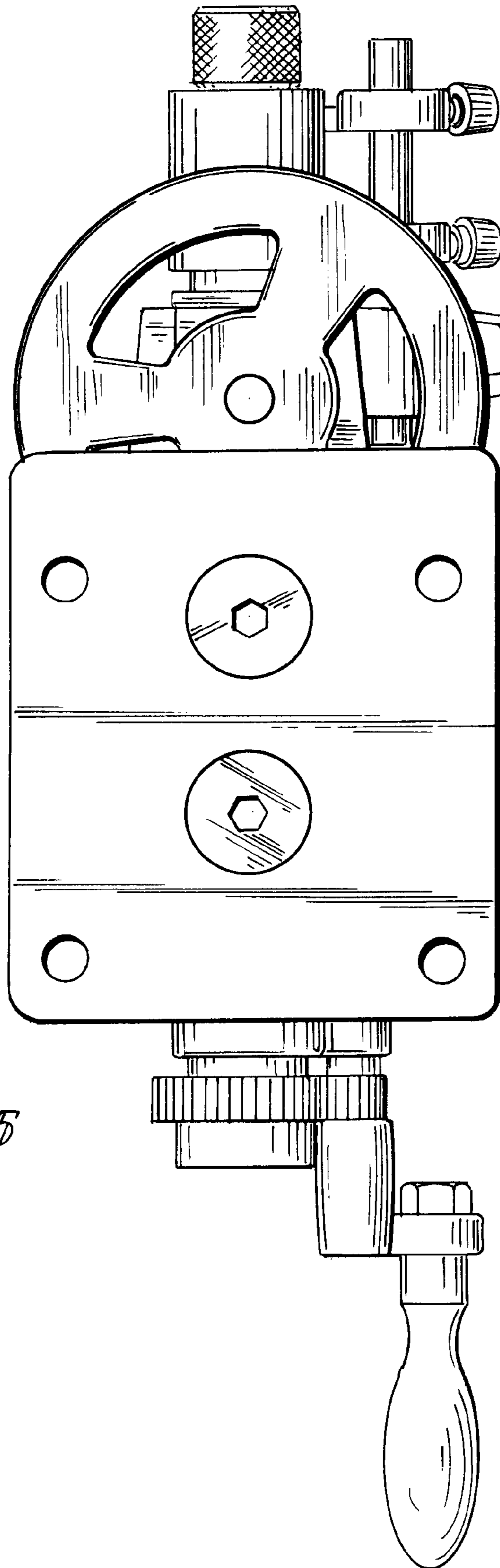


FIG 5