

US00D603670S

(12) **United States Design Patent**  
**Corredor-Londoño**

(10) **Patent No.:** **US D603,670 S**

(45) **Date of Patent:** **\*\* Nov. 10, 2009**

(54) **CAN OPENER**

(76) **Inventor:** **Pablo Enrique Corredor-Londoño,**  
1585 E. 11 Ave., Hialeah, FL (US) 33010

(\*\*) **Term:** **14 Years**

(21) **Appl. No.:** **29/320,015**

(22) **Filed:** **Jun. 18, 2008**

(51) **LOC (9) Cl.** ..... **07-99**

(52) **U.S. Cl.** ..... **D8/33; D8/18; D8/38**

(58) **Field of Classification Search** ..... D8/14,  
D8/16-19, 33-43, 88, 89, 105; 7/113, 151-156;  
30/400-410, 416-430, 433, 434, 443, 450;  
81/3.07, 3.09, 3.2, 3.27, 3.29, 3.31, 3.35,  
81/3.37, 3.4, 3.45, 3.48, 3.49, 3.55  
See application file for complete search history.

(56) **References Cited**

**U.S. PATENT DOCUMENTS**

D276,787	S	*	12/1984	Burns	.....	D8/18
4,723,465	A	*	2/1988	Hughes	.....	81/3.09
D296,754	S	*	7/1988	Ahumada	.....	D8/38
D395,384	S	*	6/1998	Farfalli	.....	D8/38
D413,054	S	*	8/1999	Anderson	.....	D8/40
D432,376	S	*	10/2000	Sutter et al.	.....	D8/38
D464,240	S	*	10/2002	Vaught	.....	D8/38
D465,979	S	*	11/2002	Vaught	.....	D8/38

D487,558	S	*	3/2004	Nielsen	.....	D8/18
D498,997	S	*	11/2004	Corredor et al.	.....	D8/38
6,957,599	B2	*	10/2005	Corredor et al.	.....	81/3.09
D578,364	S	*	10/2008	Corredor-Londono	.....	D8/33

\* cited by examiner

*Primary Examiner*—Caron Veynar

*Assistant Examiner*—Garth Rademaker

(74) *Attorney, Agent, or Firm*—Albert Bordas, P.A.

(57) **CLAIM**

The ornamental design for a can opener, as shown and described.

**DESCRIPTION**

FIG. 1 is a top plan view of a can opener;

FIG. 2 is a front elevational view thereof;

FIG. 3 is a bottom plan view thereof;

FIG. 4 is a left elevational view thereof, the right elevational view being a mirror image thereof;

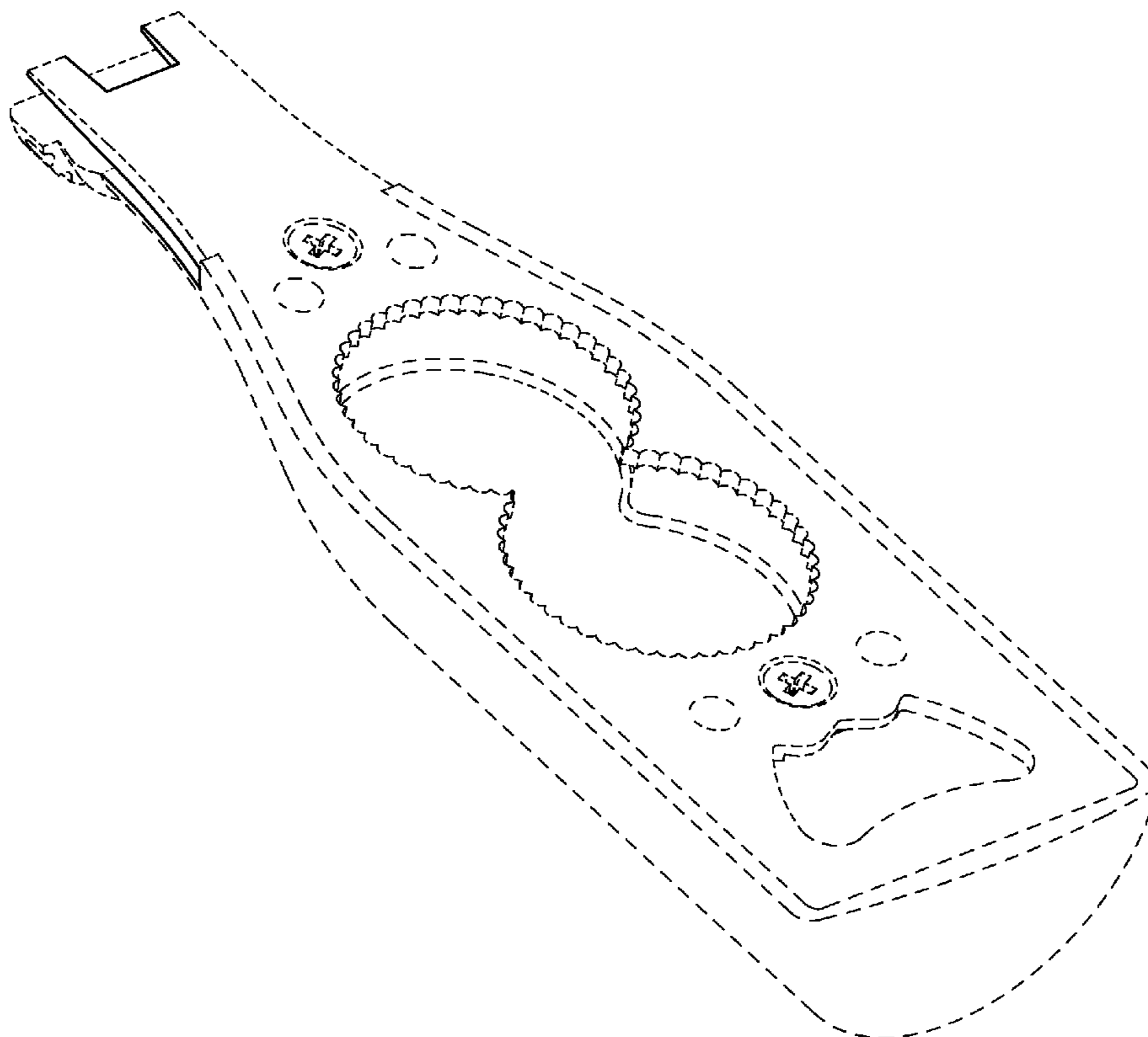
FIG. 5 is a rear elevational view thereof;

FIG. 6 is a perspective view thereof; and,

FIG. 7 is the view shown in FIG. 1 at a large scale.

The broken lines are for environmental purposes only and form no part of the claimed design.

**1 Claim, 4 Drawing Sheets**



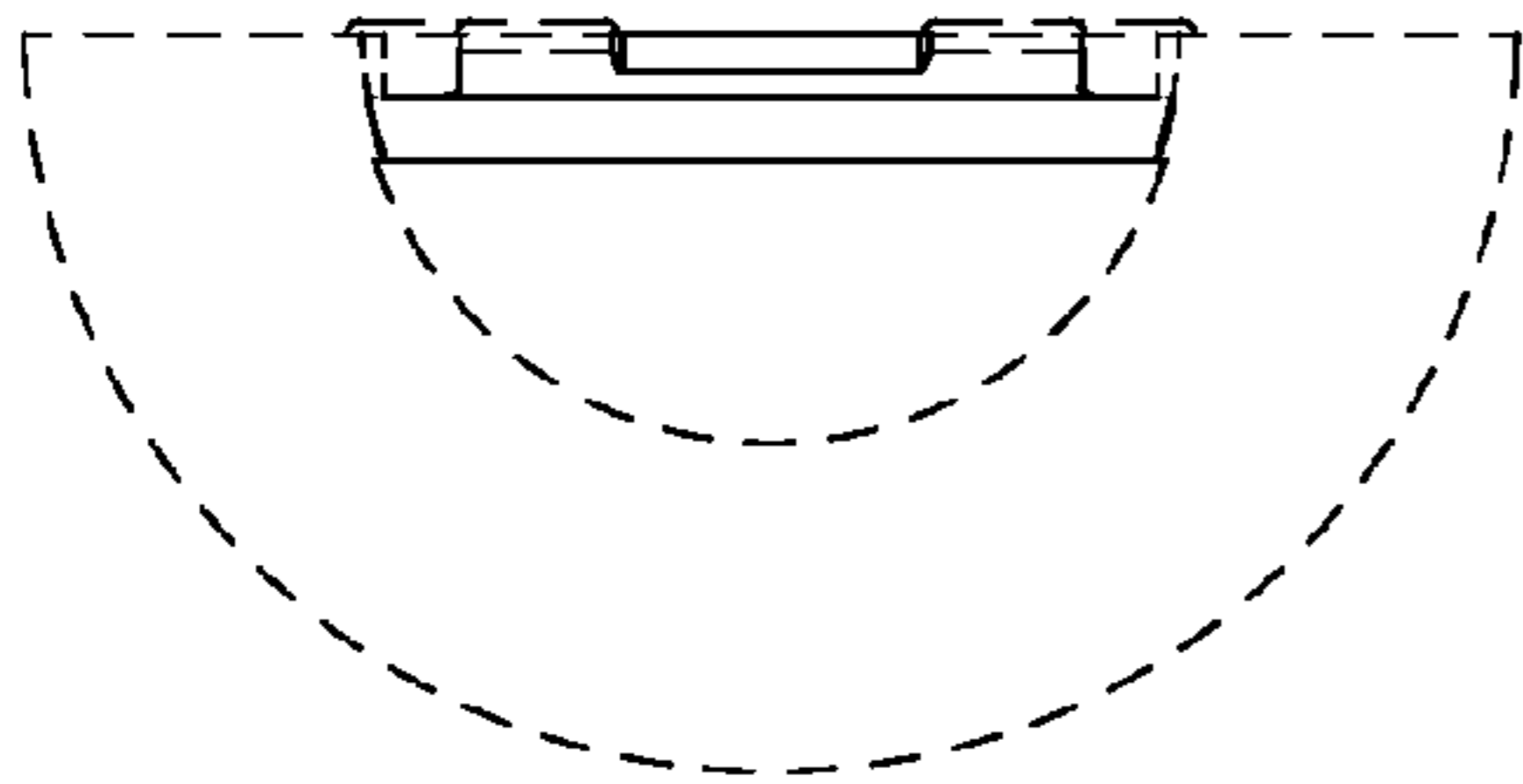


Fig. 1

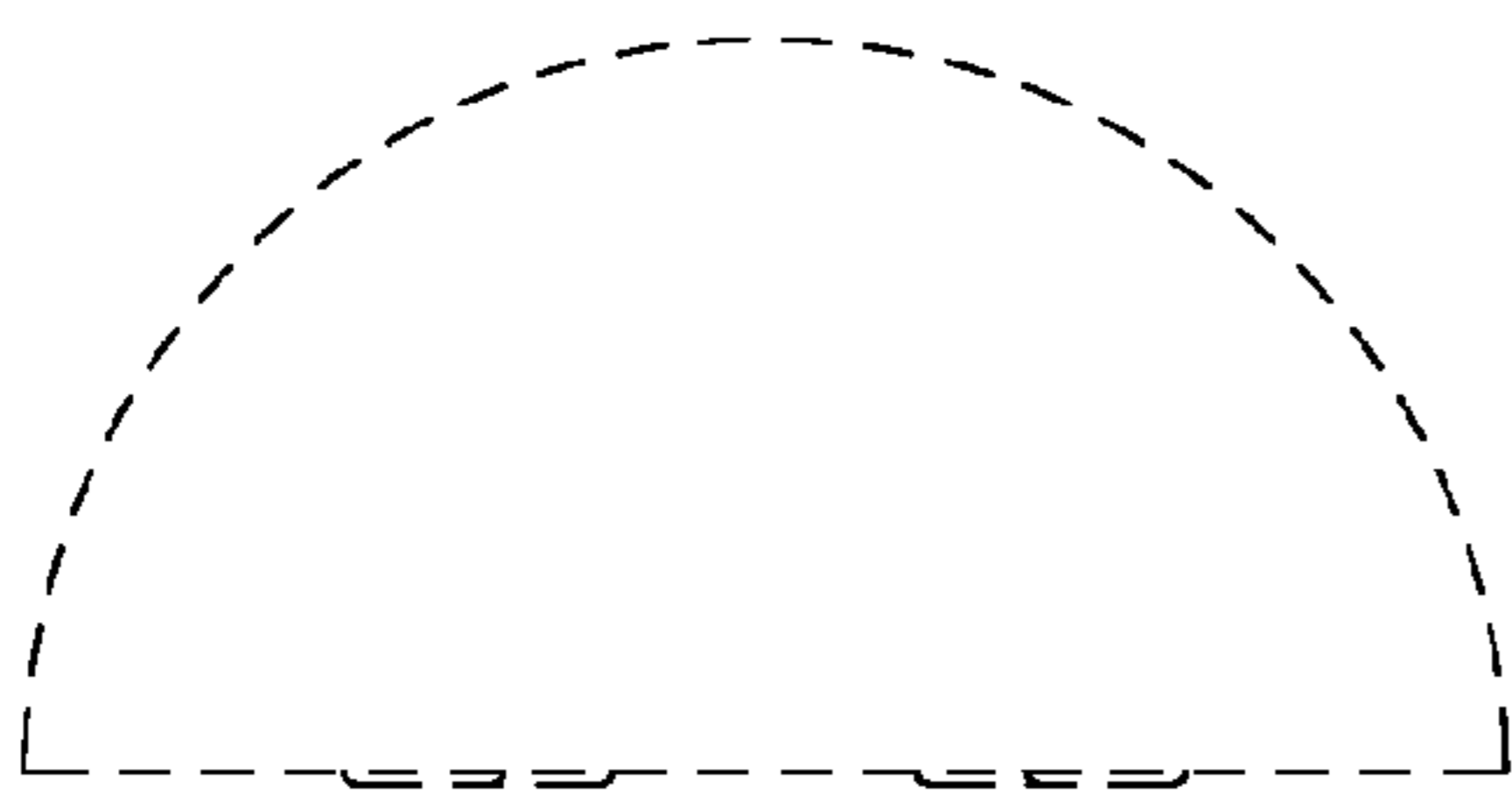


Fig. 3

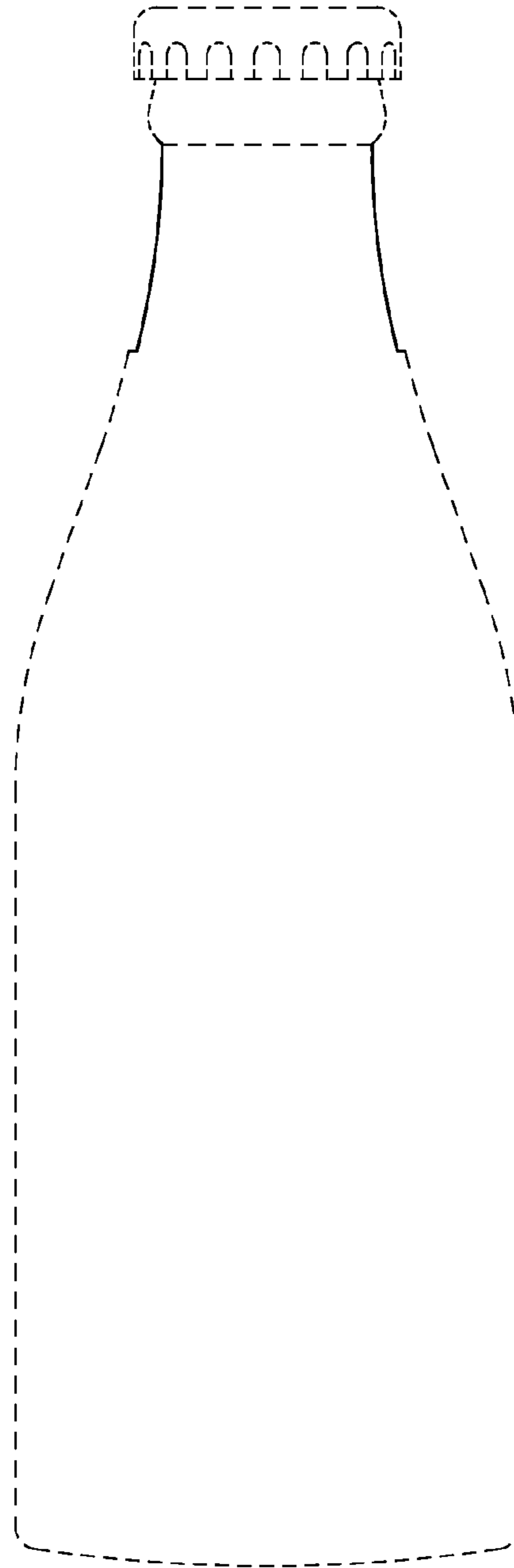


Fig. 2

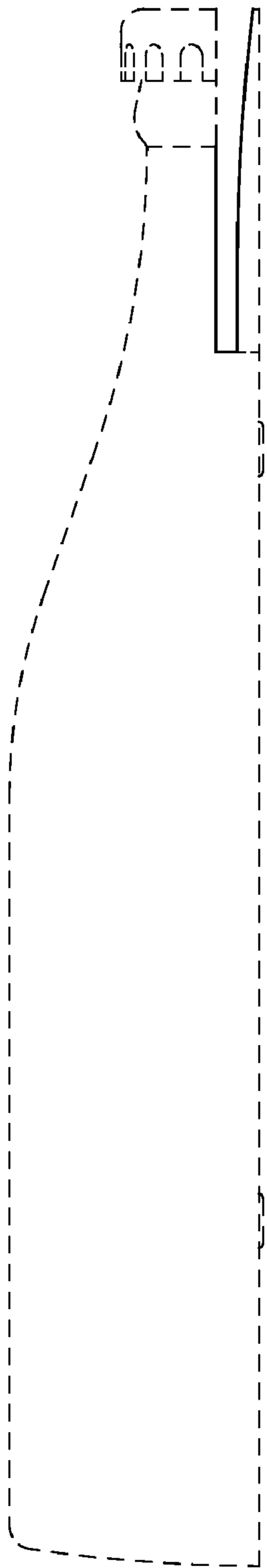


Fig. 4

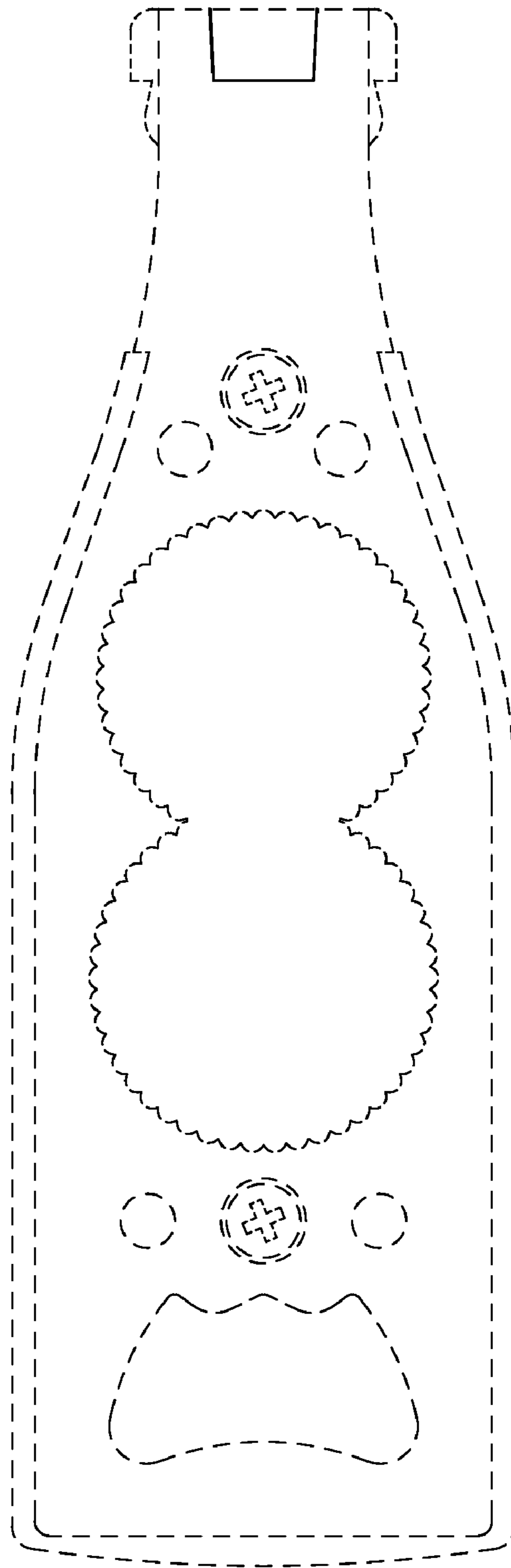


Fig. 5

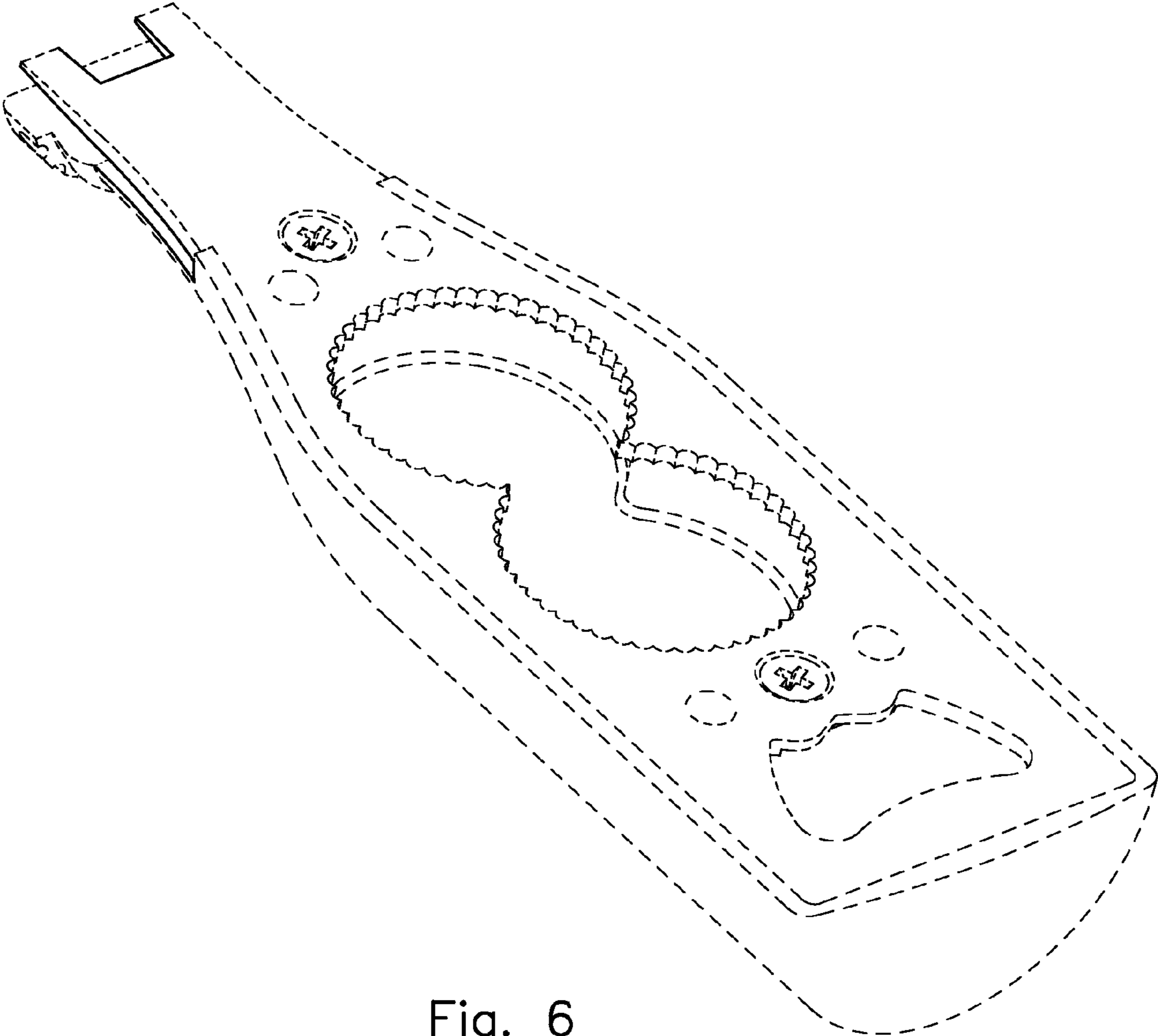


Fig. 6

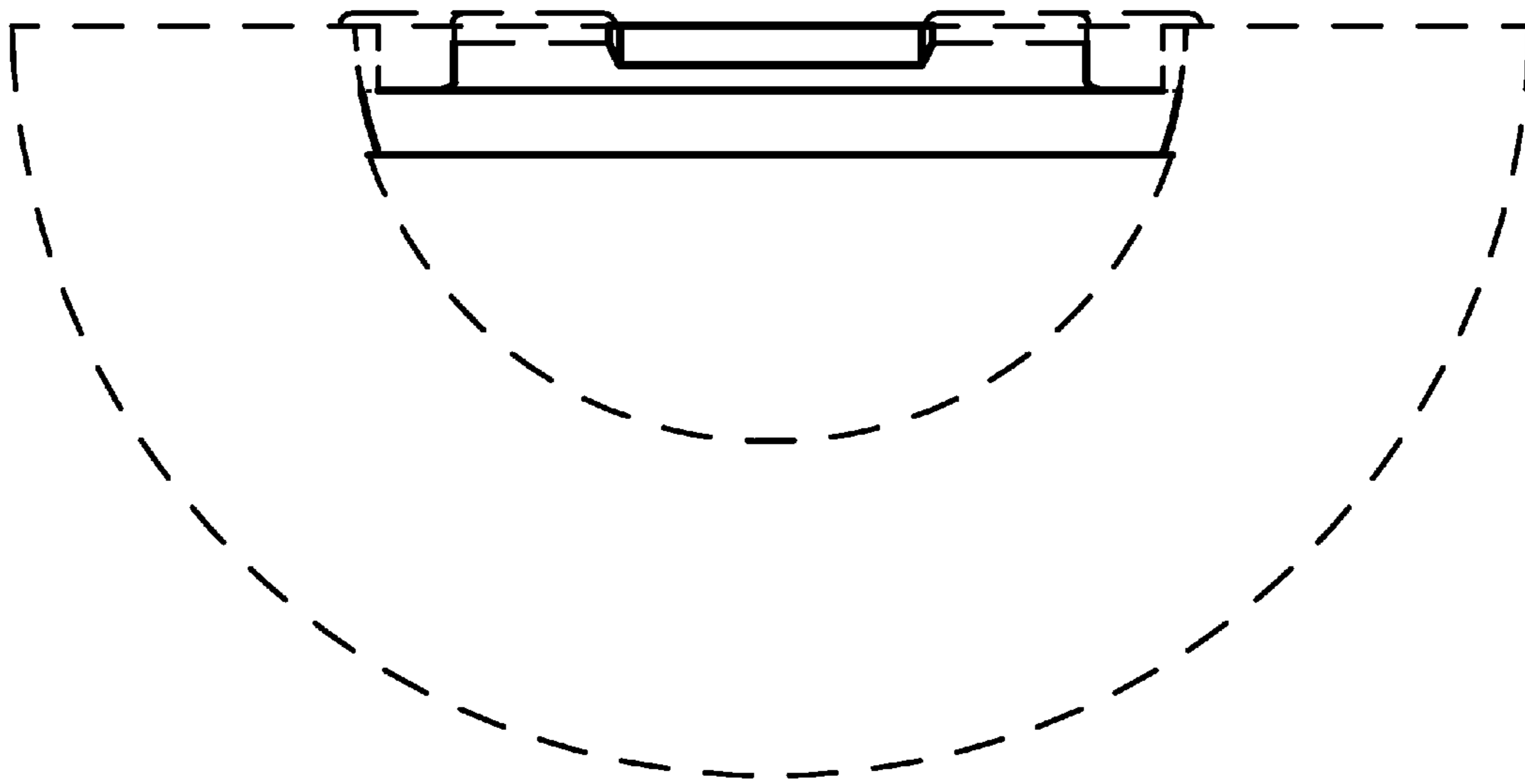


Fig. 7