



US00D603668S

(12) **United States Design Patent**
Gullicks et al.

(10) **Patent No.:** **US D603,668 S**
(45) **Date of Patent:** **** Nov. 10, 2009**

(54) **DUAL CHAMBER MIXING GUN**

(75) Inventors: **Scott D. Gullicks**, Apple Valley, MN (US); **Jeffrey R. Janssen**, Ho Chi Minh (VN); **Mark F. Schulz**, Lake Elmo, MN (US); **Ryan Patrick Simmers**, Cottage Grove, MN (US); **Nathan A. Abel**, White Bear Lake, MN (US)

(73) Assignee: **3M Innovative Properties Company**, St. Paul, MN (US)

(**) Term: **14 Years**

(21) Appl. No.: **29/325,463**

(22) Filed: **Oct. 1, 2008**

(51) **LOC (9) Cl.** **08-05**

(52) **U.S. Cl.** **D8/14.1**

(58) **Field of Classification Search** D8/14.1;
222/321.1, 309, 160, 174, 82, 323, 325, 137,
222/83.5, 391

See application file for complete search history.

(56) **References Cited**

U.S. PATENT DOCUMENTS

3,933,273	A	1/1976	Cox	
4,691,845	A	9/1987	Schwartz	
D328,555	S *	8/1992	Keller D8/14.1
D388,672	S *	1/1998	Kelders et al. D8/14.1
6,047,861	A	4/2000	Vidal et al.	
6,129,244	A	10/2000	Horth	
6,244,740	B1	6/2001	Wagner et al.	
6,311,871	B1	11/2001	Binder	
6,352,177	B1	3/2002	Bublewitz et al.	

6,457,609	B1	10/2002	Keller	
6,523,992	B1	2/2003	Bublewitz et al.	
6,631,829	B1	10/2003	Wagner et al.	
D510,769	S	10/2005	Bublewitz et al.	
D514,705	S	2/2006	Bublewitz et al.	
D567,039	S *	4/2008	Hughes et al. D8/14.1
2005/0232073	A1	10/2005	Wagner et al.	
2008/0144426	A1	6/2008	Janssen et al.	

* cited by examiner

Primary Examiner—Holly H Baynham

Assistant Examiner—Sheryl Lane

(74) *Attorney, Agent, or Firm*—Philip P. Soo

(57) **CLAIM**

The ornamental design for a dual chamber mixing gun, as shown and described.

DESCRIPTION

FIG. 1 is a perspective view showing the new design for a dual chamber mixing gun;

FIG. 2 is a front view thereof;

FIG. 3 is a back view thereof;

FIG. 4 is a left side view thereof;

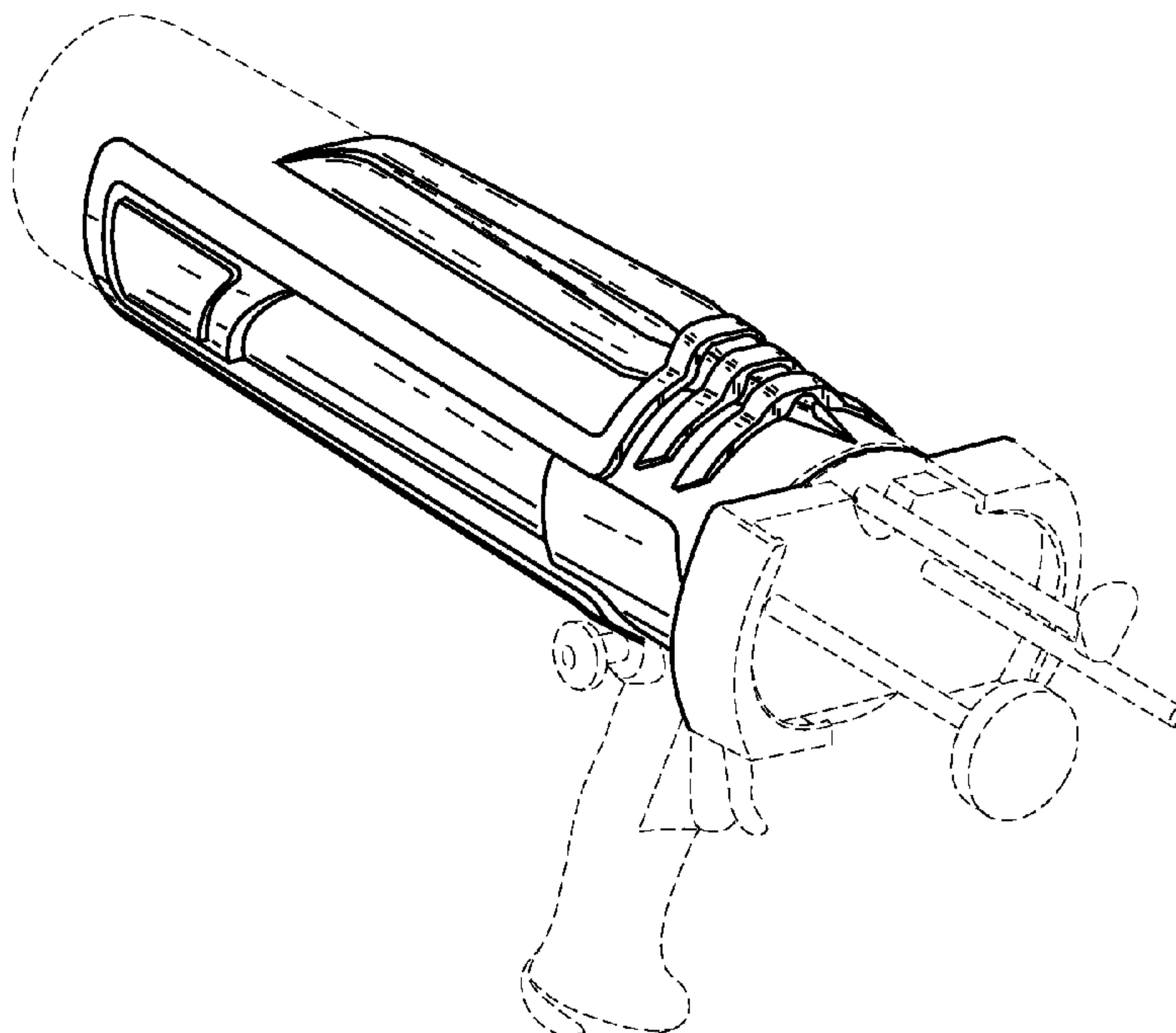
FIG. 5 is a right side view thereof;

FIG. 6 is a top view thereof; and,

FIG. 7 is a bottom view thereof.

The broken line showing of the dual chamber mixing gun is included for the purpose of illustrating portions of the article and forms no part of the claimed design.

1 Claim, 3 Drawing Sheets



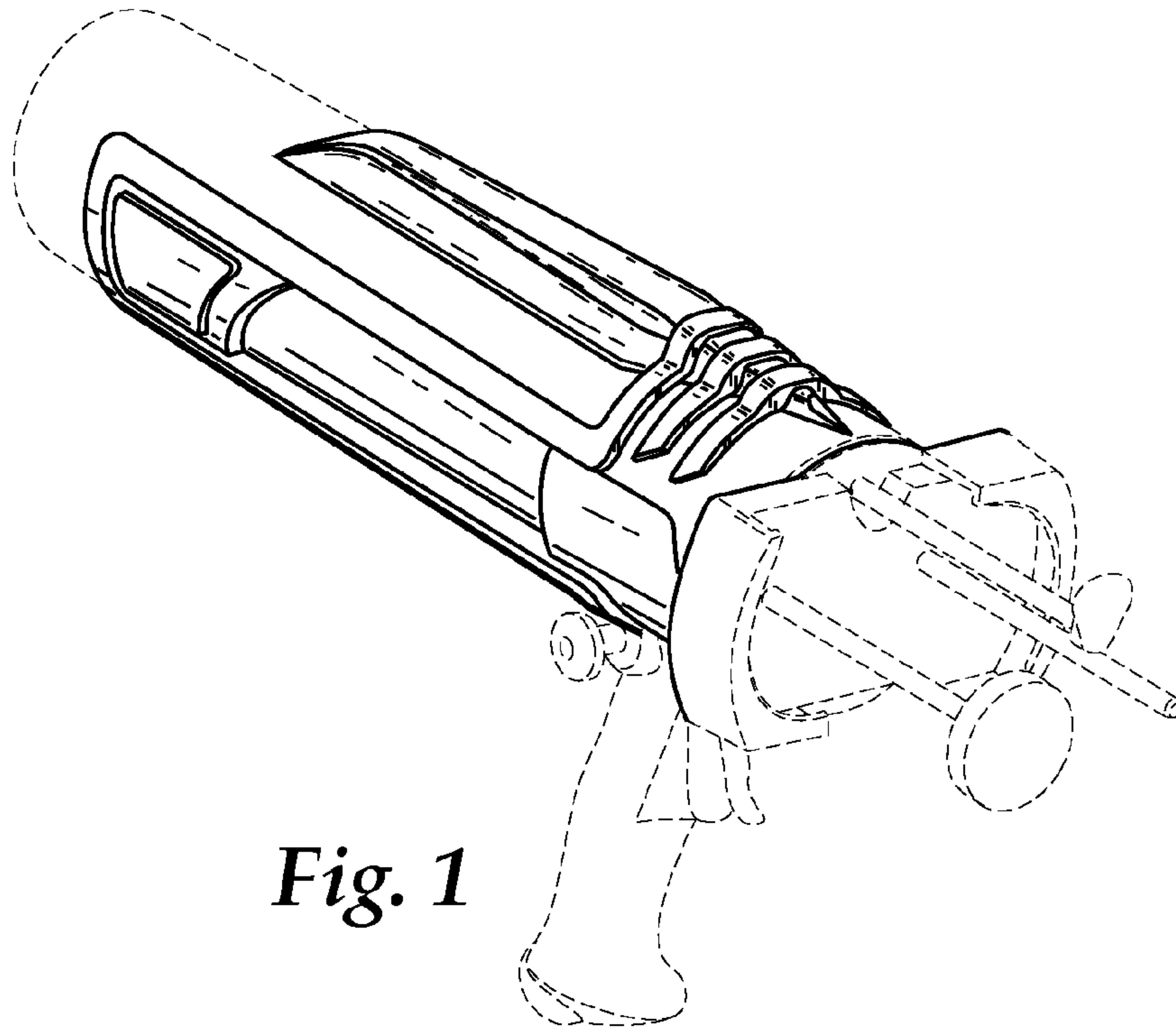


Fig. 1

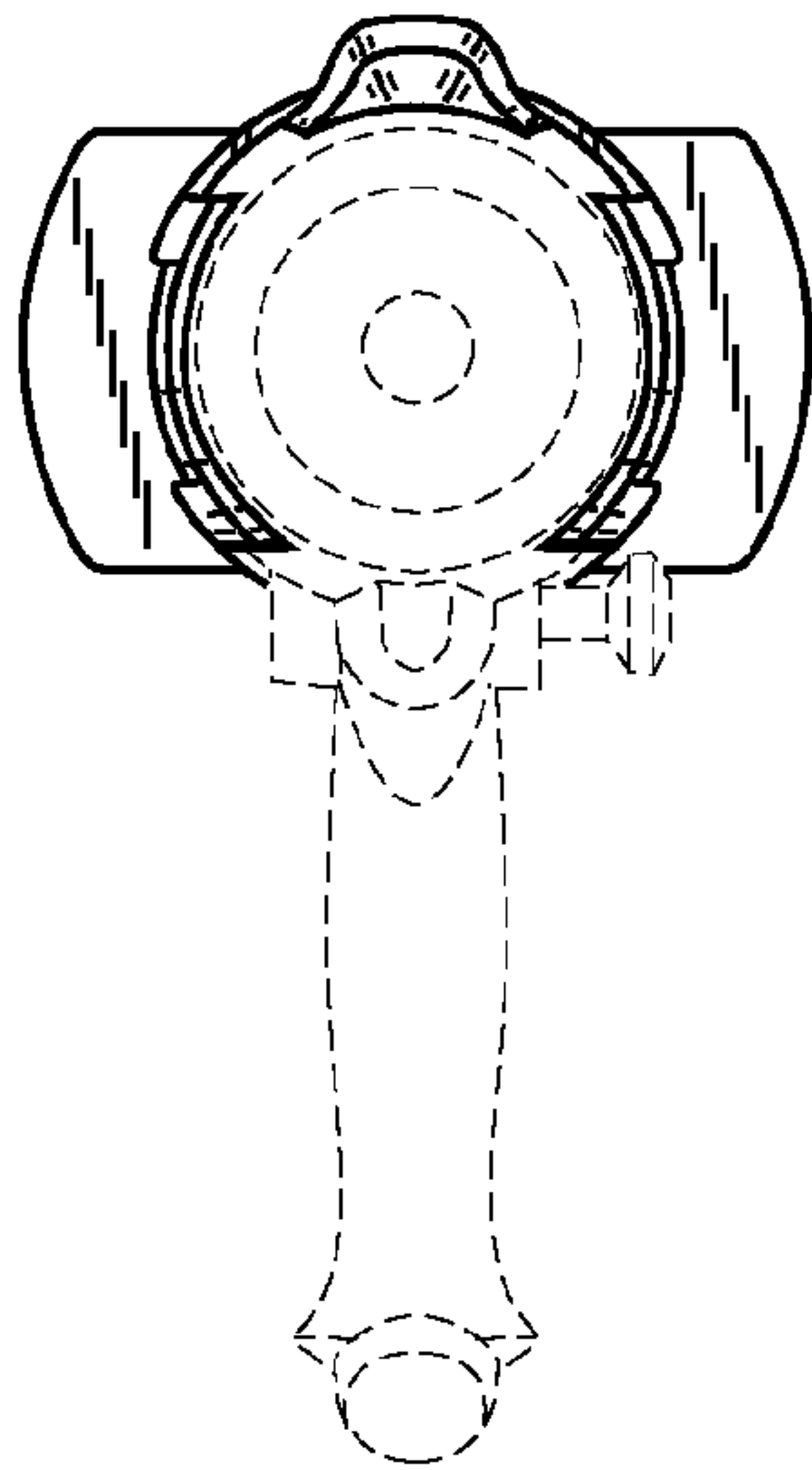


Fig. 2

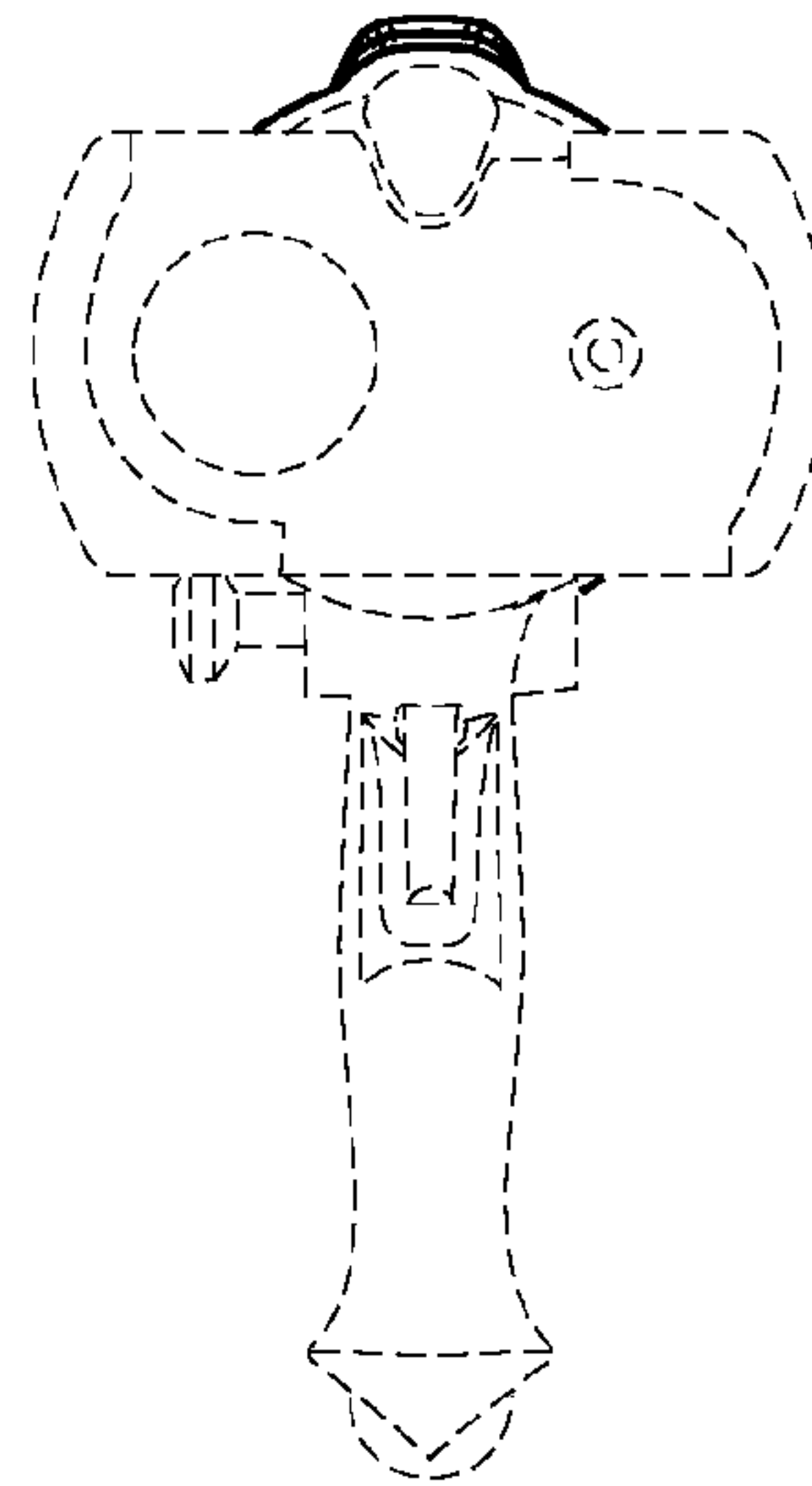


Fig. 3

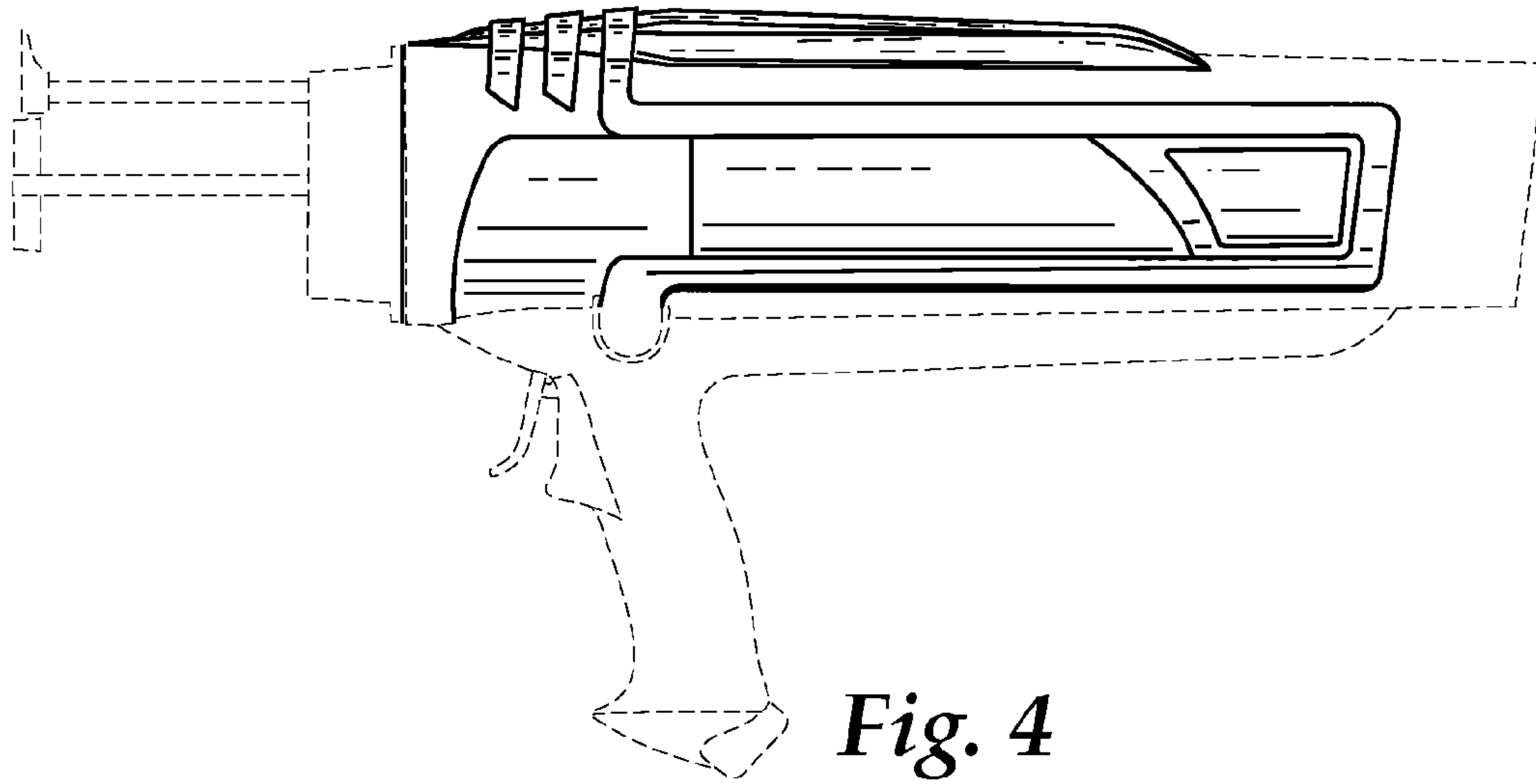


Fig. 4

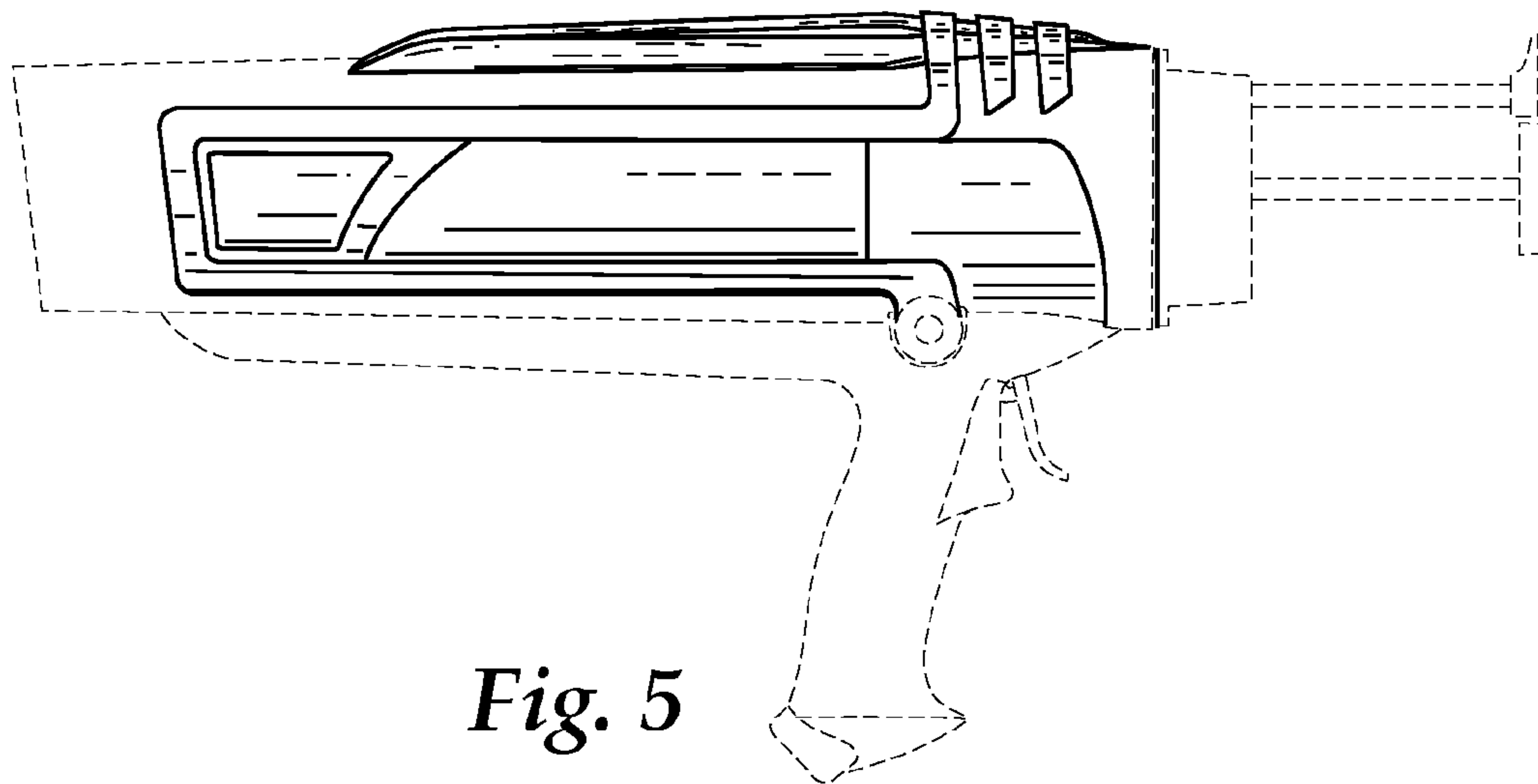


Fig. 5

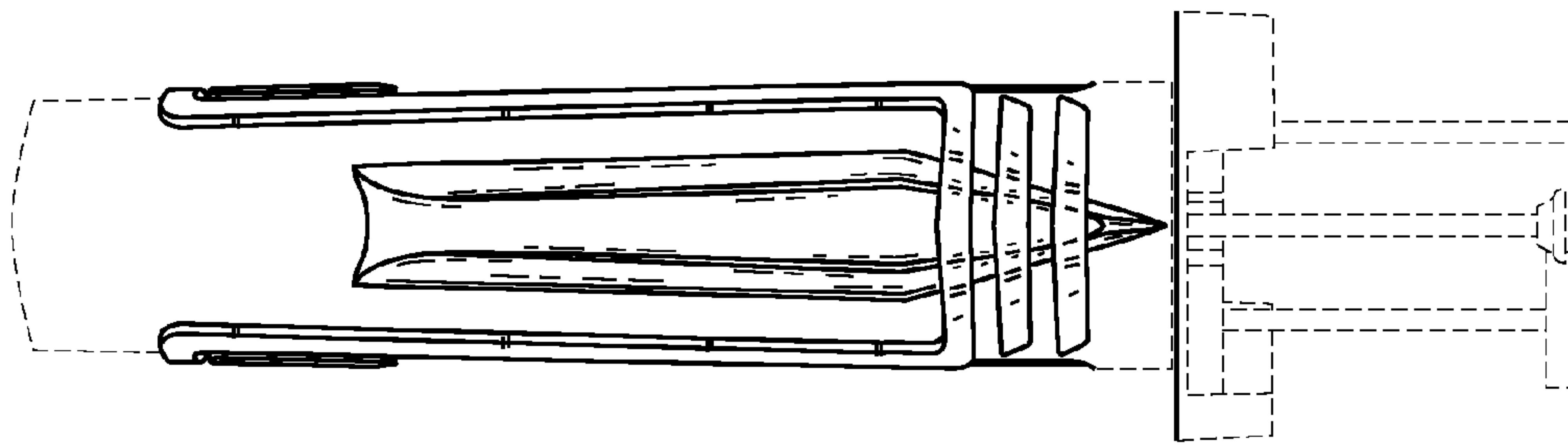


Fig. 6

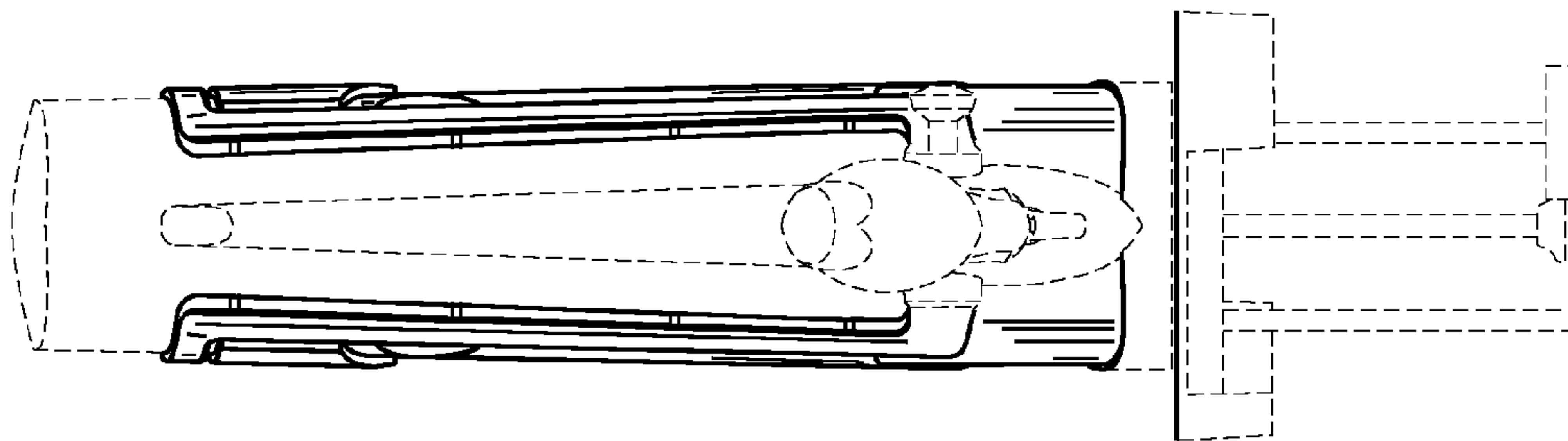


Fig. 7