



US00D603664S

(12) **United States Design Patent**  
**Roefs et al.**

(10) **Patent No.:** **US D603,664 S**

(45) **Date of Patent:** **\*\* Nov. 10, 2009**

(54) **LUNCHBOX**

D414,379 S \* 9/1999 Haberkorn ..... D7/607  
D493,615 S \* 8/2004 Peng ..... D3/246

(75) Inventors: **Arian Roefs**, Santa Fe, NM (US);  
**Godfried Konings**, Santa Fe, MN (US);  
**Rui Medeiros Santos**, Rotterdam (NL)

\* cited by examiner

*Primary Examiner*—Terry A Wallace

(74) *Attorney, Agent, or Firm*—Thompson Hine LLP

(73) Assignee: **ARGK LLC**, Santa Fe, NM (US)

(\*\*) Term: **14 Years**

(57) **CLAIM**

(21) Appl. No.: **29/329,275**

The ornamental design for a lunchbox, as shown and described.

(22) Filed: **Dec. 11, 2008**

**DESCRIPTION**

(51) **LOC (9) Cl.** ..... **03-01**

FIG. 1 is a rear perspective view of a lunchbox showing our new design;

(52) **U.S. Cl.** ..... **D7/709; D7/605**

FIG. 2 is a rear elevational view of the lunchbox of FIG. 1;

(58) **Field of Classification Search** ..... D7/709,  
D7/710, 605–608, 629; 62/457.1–457.9,  
62/529, 530; 150/103–105, 107–110, 114,  
150/118, 119; 383/2, 95, 109, 113, 110,  
383/71–74, 38, 10; D3/201, 202, 232–246  
See application file for complete search history.

FIG. 3 is a front elevational view of the lunchbox of FIG. 1;

FIG. 4 is a first side elevational view of the lunchbox of FIG. 1;

1;

FIG. 5 is a second side elevational view of the lunchbox of FIG. 1;

(56) **References Cited**

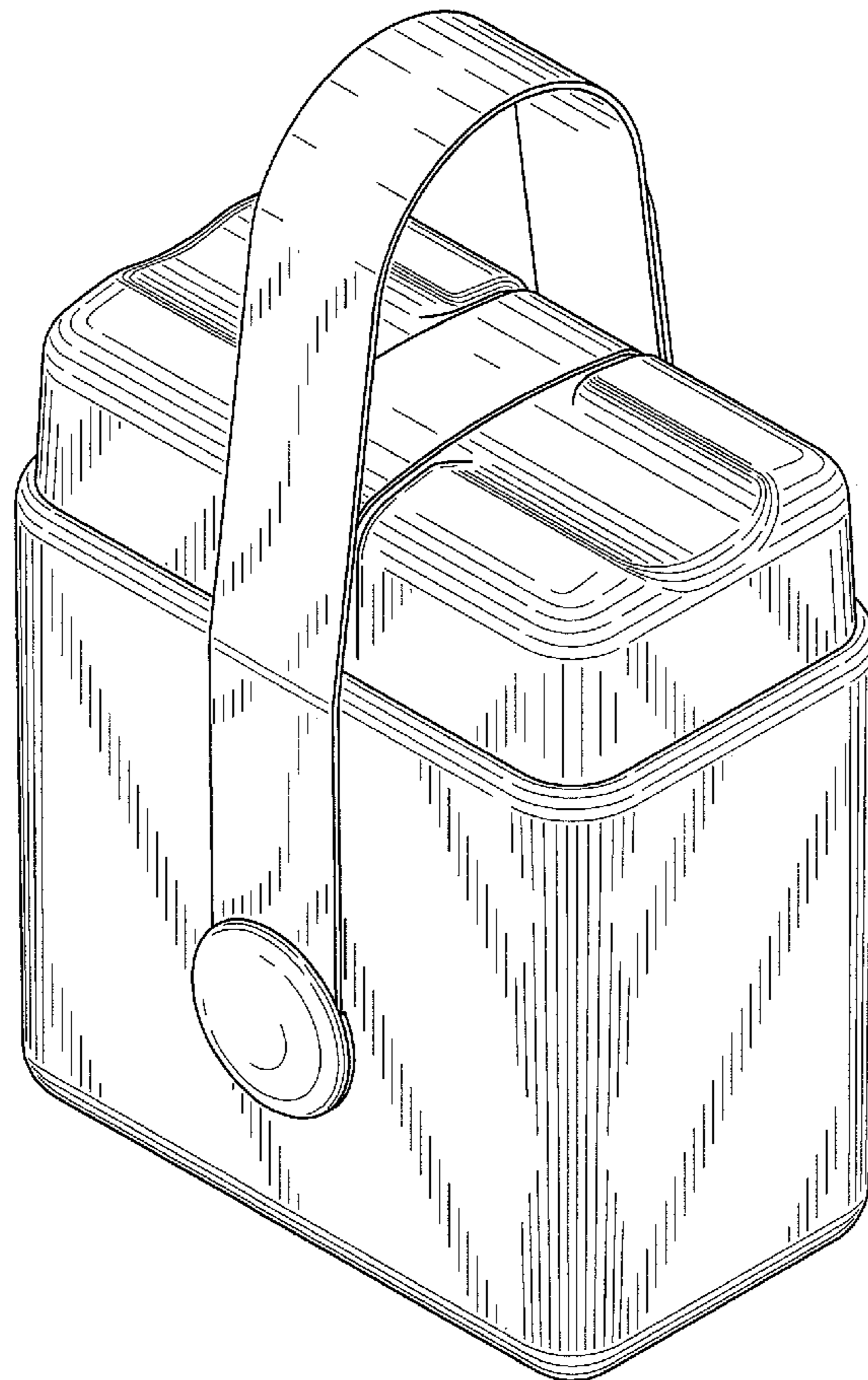
**U.S. PATENT DOCUMENTS**

D305,714 S \* 1/1990 Carlson ..... D7/605  
D404,620 S \* 1/1999 Rausch ..... D7/709

FIG. 6 is a top plan view of the lunchbox of FIG. 1; and,

FIG. 7 is a bottom plan view of the lunchbox of FIG. 1.

**1 Claim, 6 Drawing Sheets**



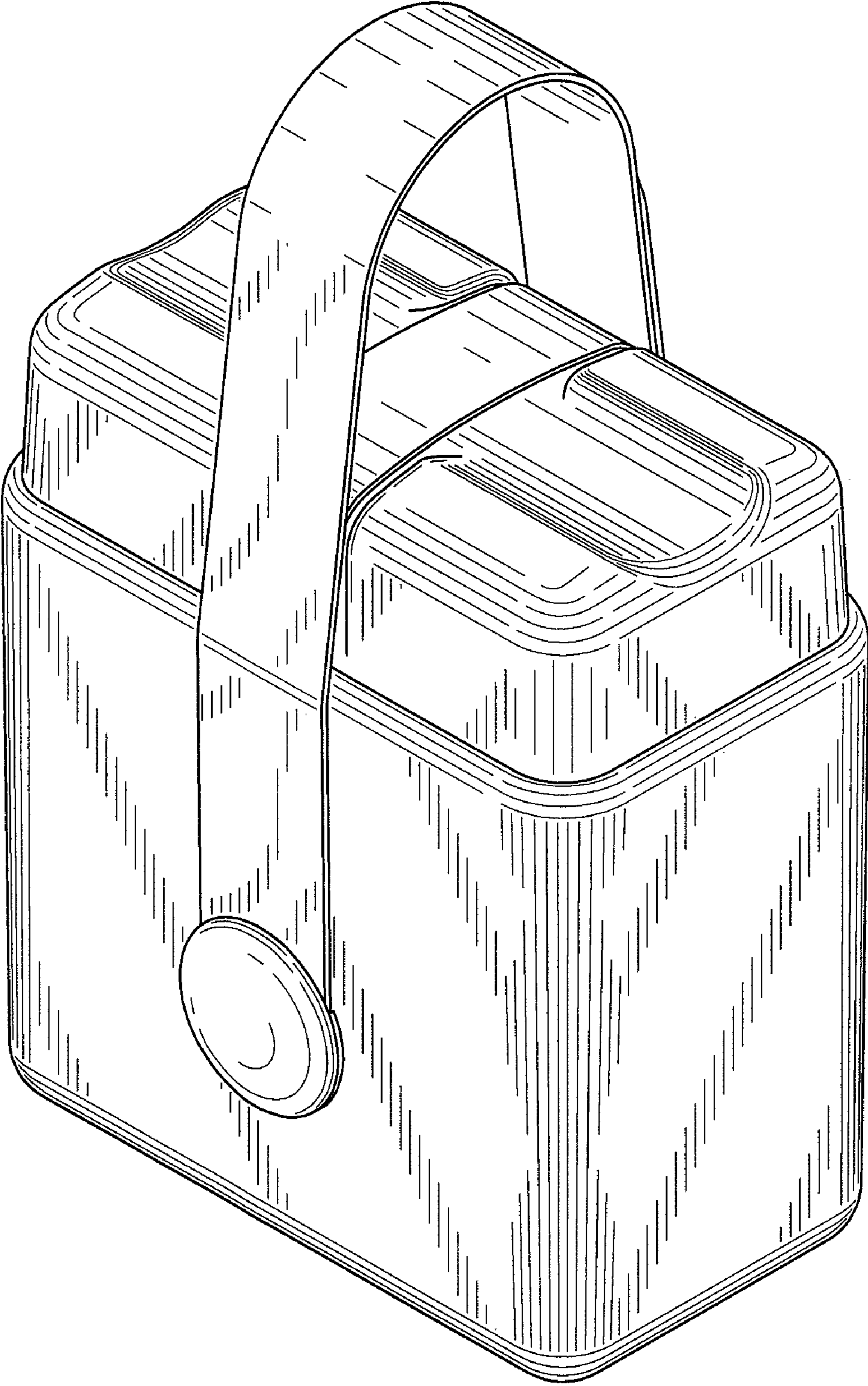


FIG. 1

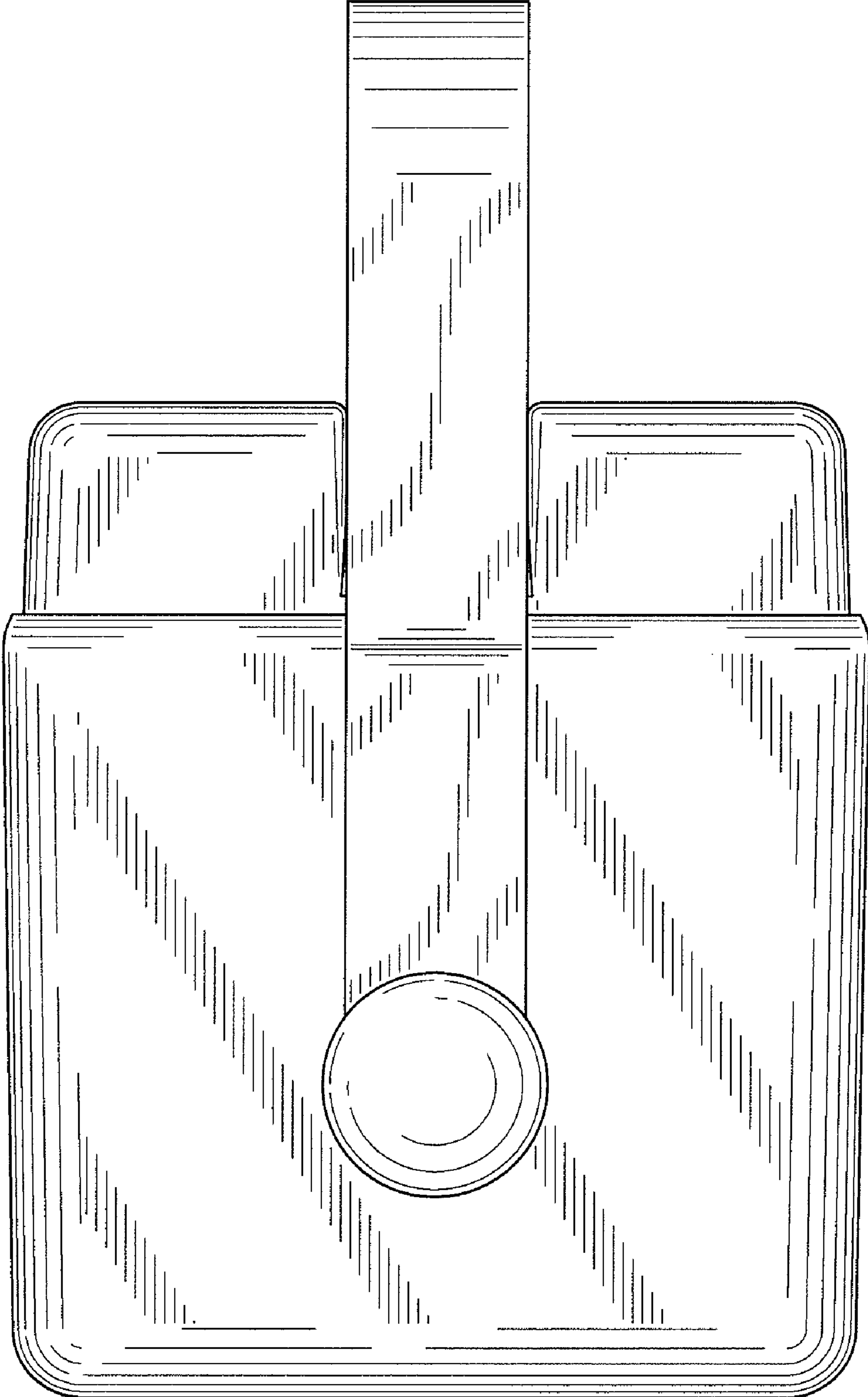


FIG. 2

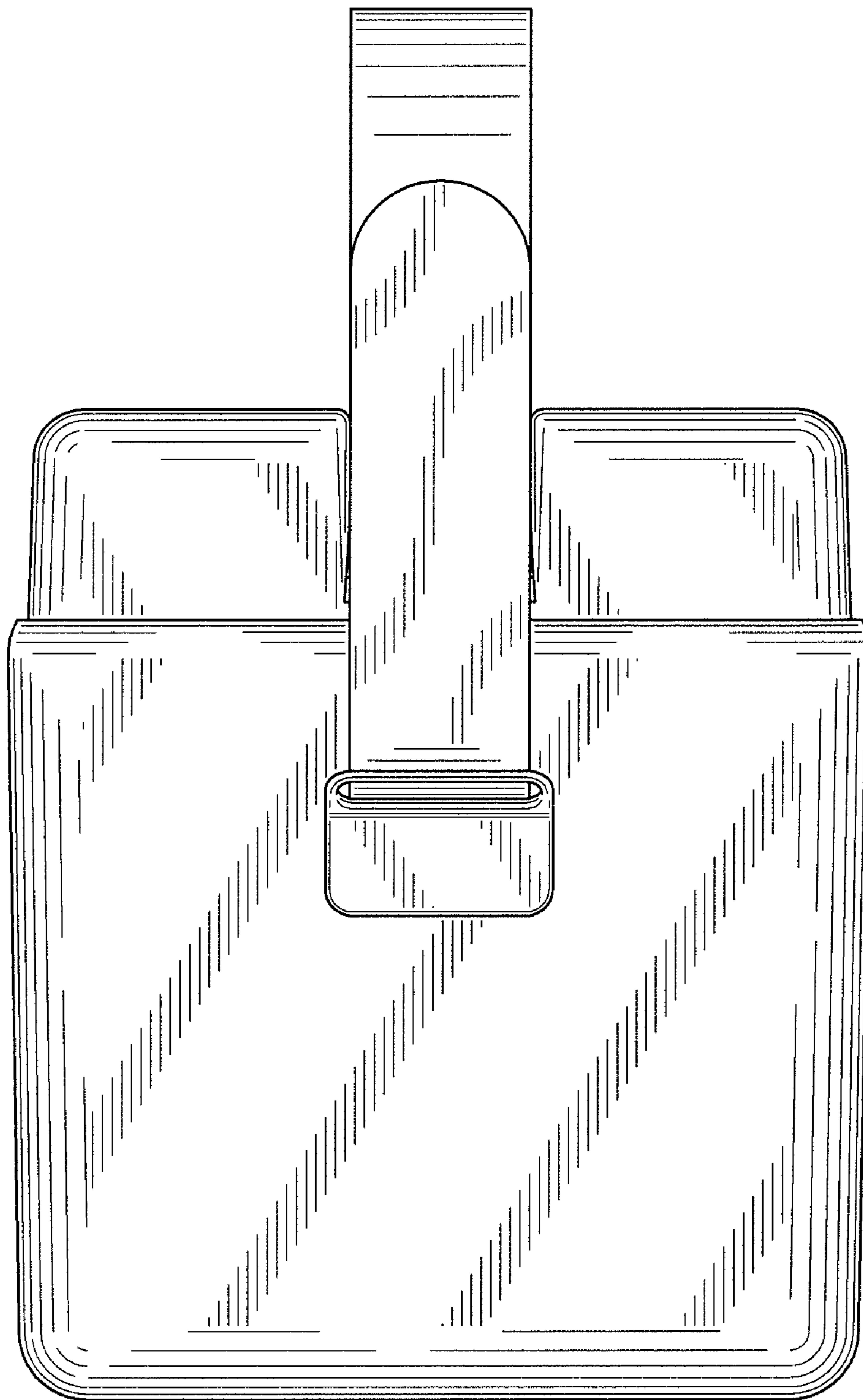


FIG. 3



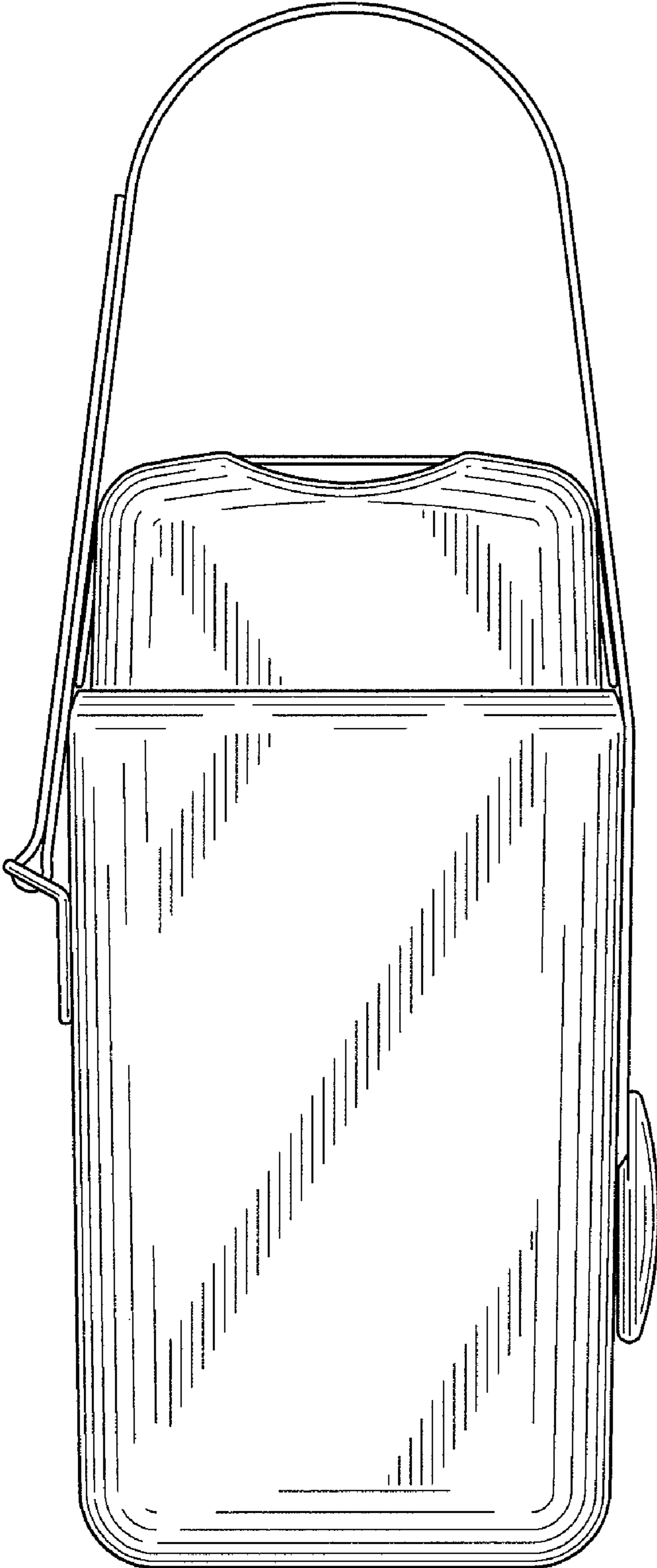


FIG. 4

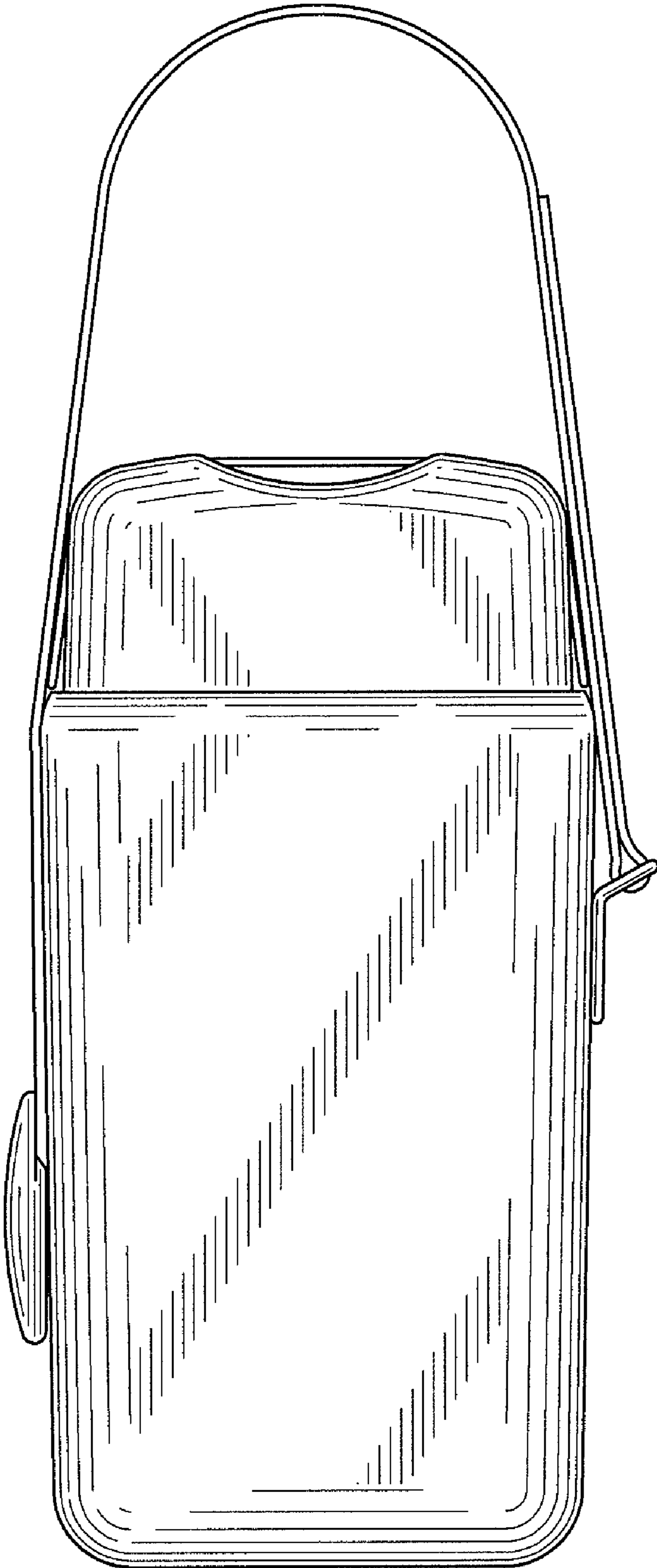


FIG. 5

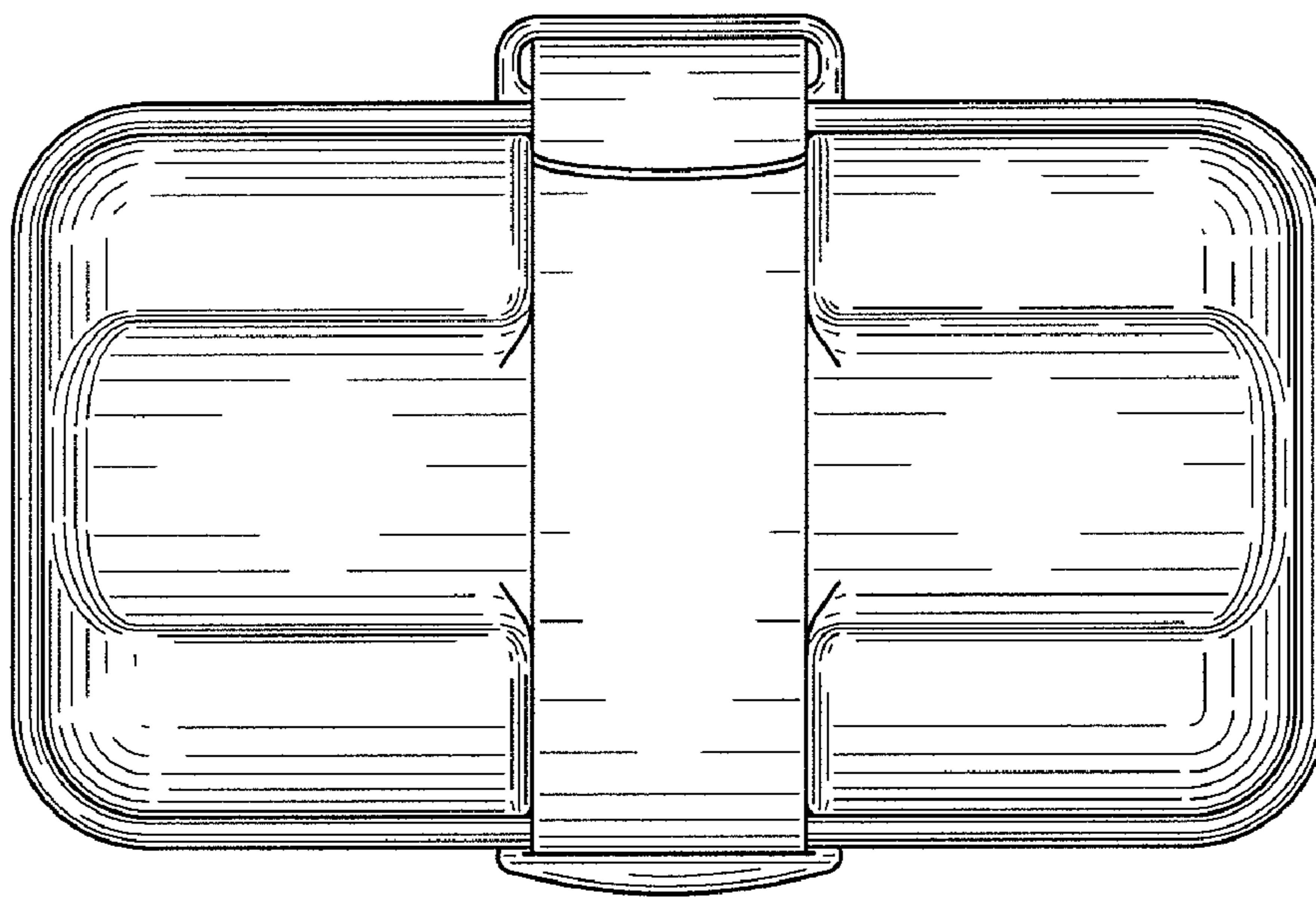


FIG. 6

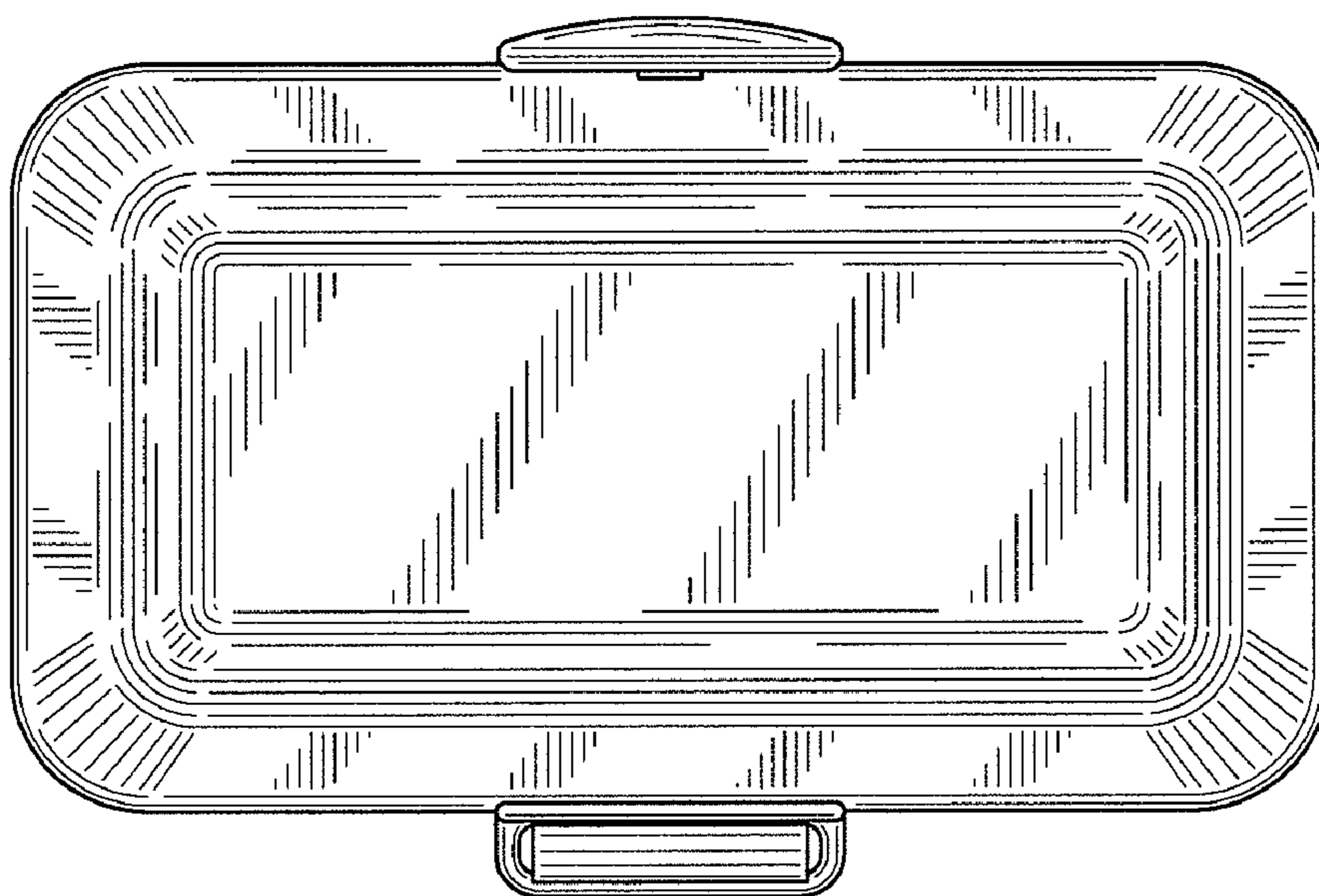


FIG. 7