



US00D603662S

(12) **United States Design Patent**
Goode et al.

(10) **Patent No.:** **US D603,662 S**

(45) **Date of Patent:** **** Nov. 10, 2009**

(54) **BROWNIE CUTTER**

D490,665 S * 6/2004 Yoon D7/669

(75) Inventors: **Stephanie Goode**, Plainfield, IL (US);
Jeff Bull, Naperville, IL (US)

* cited by examiner

Primary Examiner—Terry A Wallace

(73) Assignee: **Wilton Industries Inc.**, Woodridge, IL (US)

(74) *Attorney, Agent, or Firm*—McGuireWoods LLP

(**) Term: **14 Years**

(57) **CLAIM**

(21) Appl. No.: **29/325,528**

We claim the ornamental design for a brownie cutter, as shown and described.

(22) Filed: **Oct. 2, 2008**

DESCRIPTION

(51) **LOC (9) Cl.** **07-04**

FIG. 1 is a perspective view of the brownie cutter;

(52) **U.S. Cl.** **D7/673**

FIG. 2 is a front side view of the design embodiment shown in FIG. 1;

(58) **Field of Classification Search** D7/672–677,
D7/669, 649; 30/304, 305

FIG. 3 is a top view of the design embodiment shown in FIG. 1;

See application file for complete search history.

FIG. 4 is a bottom view of the design embodiment shown in FIG. 1; and,

(56) **References Cited**

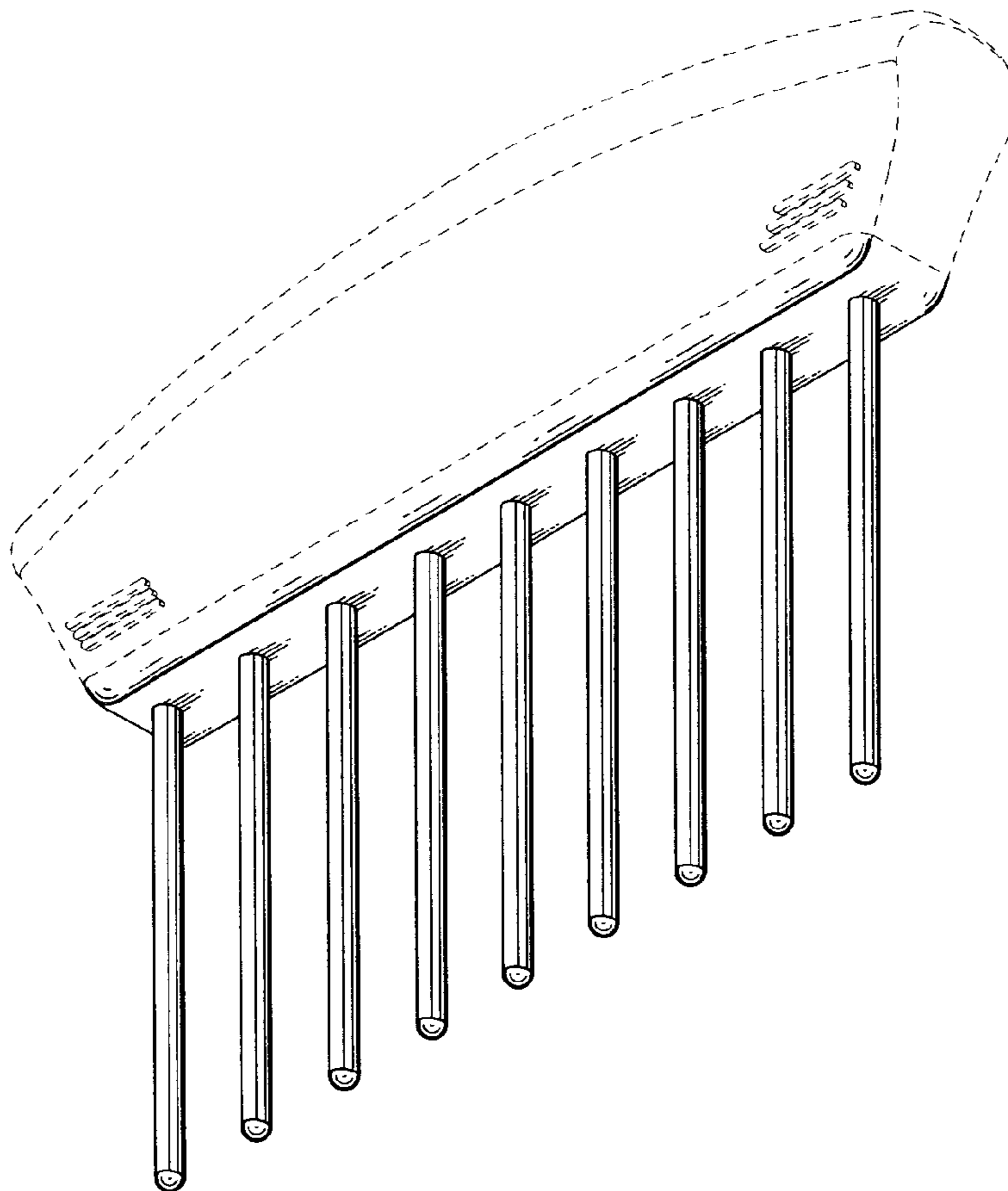
FIG. 5 is a side view of the design embodiment shown in FIG. 1.

U.S. PATENT DOCUMENTS

1,176,257	A *	3/1916	Velcansky	30/304
1,213,681	A *	1/1917	Norton	30/305
D88,766	S *	12/1932	Garrett	D7/649
2,986,815	A *	6/1961	Fernald et al.	30/304
3,727,307	A *	4/1973	Berger	30/304
D327,821	S *	7/1992	Desbiens	D7/669

The subject matter shown in dashed lines, and any surfaces of the design not shown, including interior surfaces, form no part of the claimed invention.

1 Claim, 4 Drawing Sheets



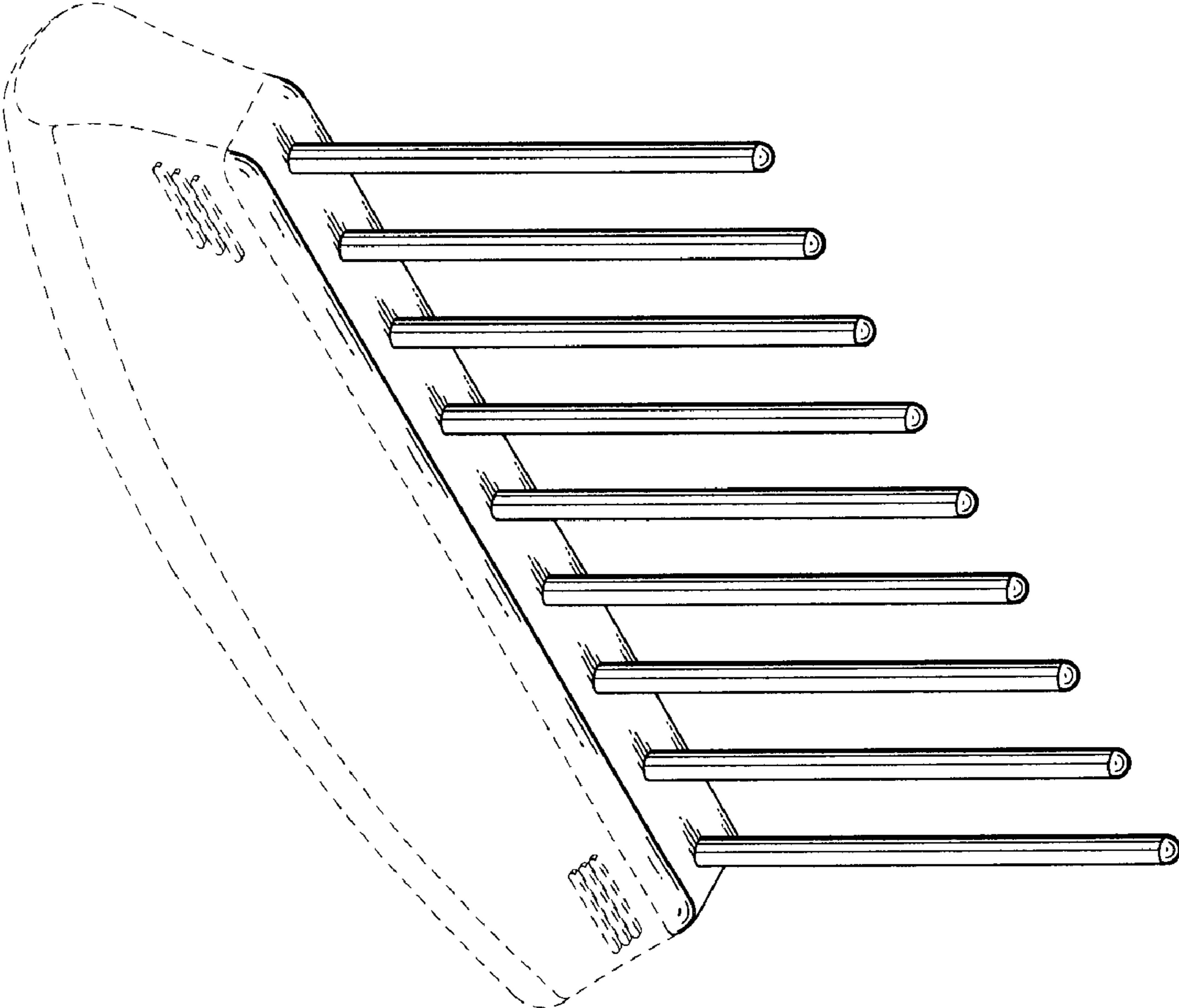


FIG. 1

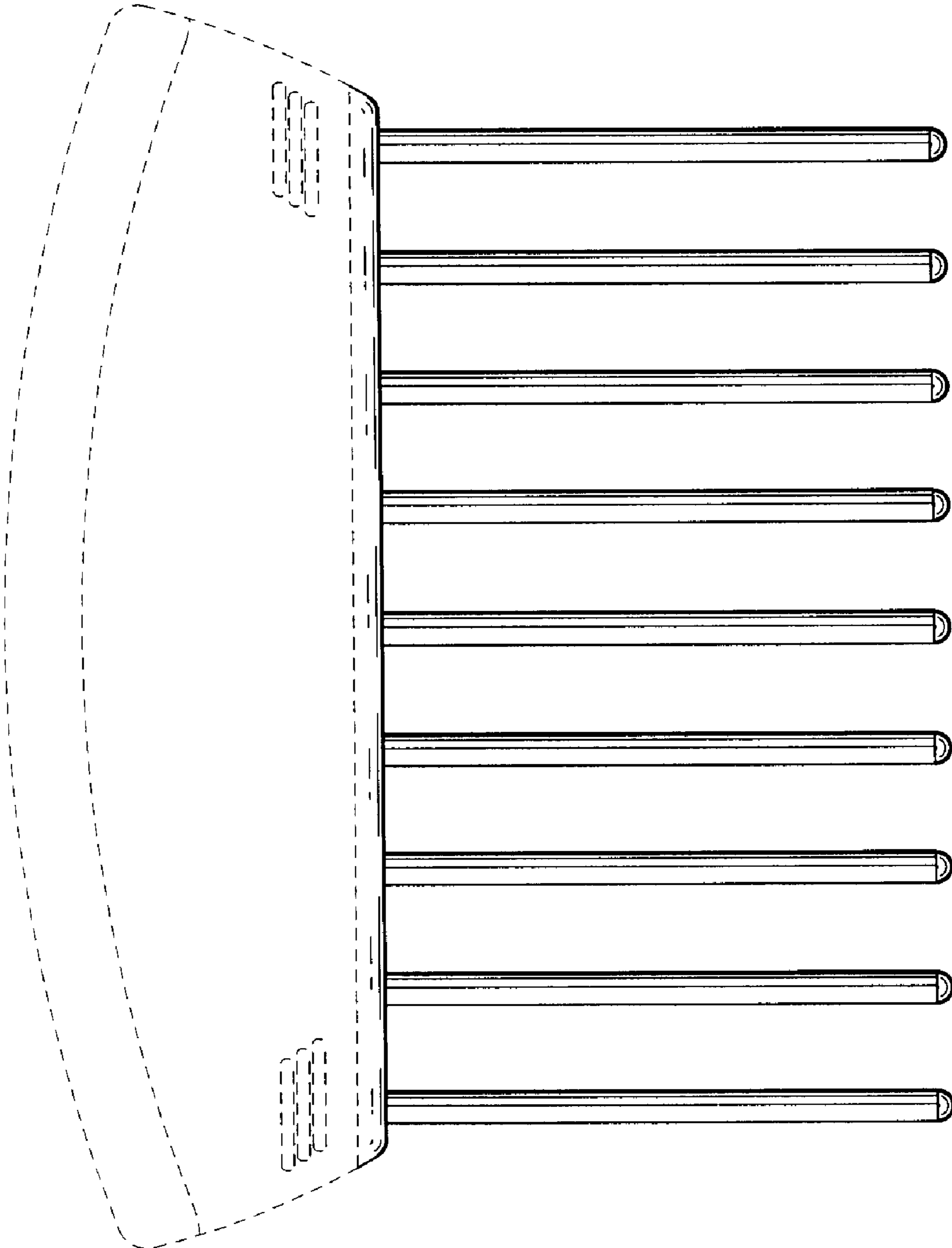


FIG. 2

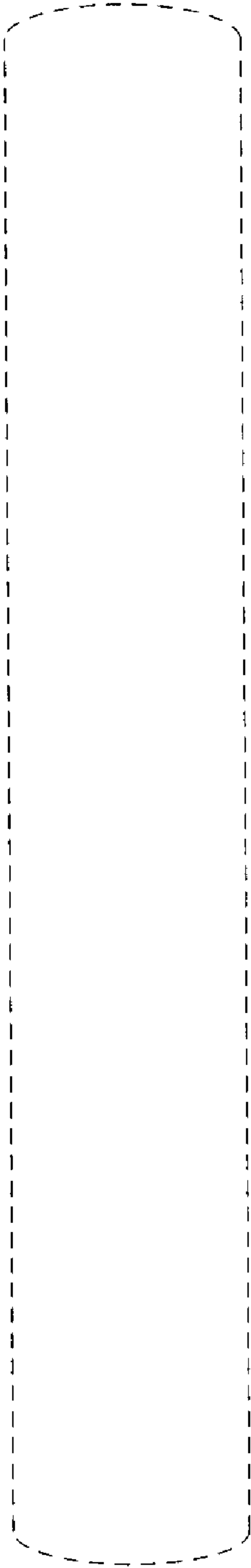


FIG. 3

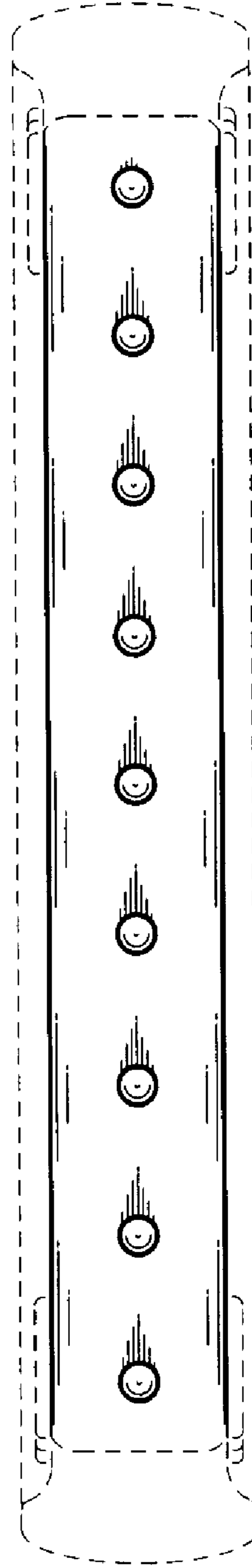


FIG. 4

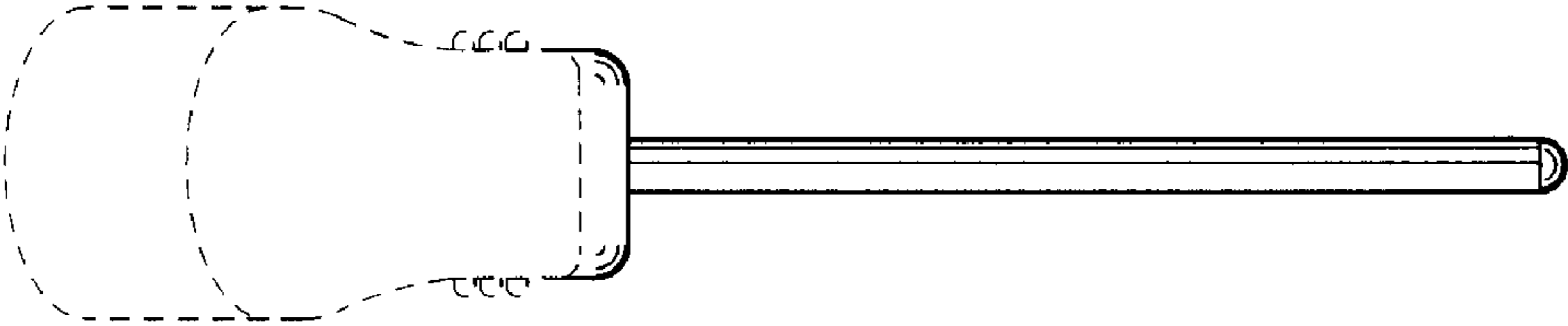


FIG. 5