



US00D603660S

(12) **United States Design Patent**
Holcomb et al.

(10) **Patent No.:** **US D603,660 S**

(45) **Date of Patent:** **** Nov. 10, 2009**

(54) **UTENSIL HOLDER**

(75) Inventors: **David A. Holcomb**, Seattle, WA (US);
Jason O. Germany, Seattle, WA (US);
Jonah S. Griffith, Seattle, WA (US)

(73) Assignee: **Chef'n Corporation**, Seattle, WA (US)

(**) Term: **14 Years**

(21) Appl. No.: **29/322,467**

(22) Filed: **Aug. 5, 2008**

Related U.S. Application Data

(62) Division of application No. 29/282,962, filed on Aug. 2, 2007, now Pat. No. Des. 574,672.

(51) **LOC (9) Cl.** **07-07**

(52) **U.S. Cl.** **D7/637**

(58) **Field of Classification Search** D7/637-641,
D7/619.1-625, 701, 702, 707, 708, 601;
211/74, 71.01, 70.6, 70.7; 248/37.6, 37.3,
248/311.2

See application file for complete search history.

(56) **References Cited**

U.S. PATENT DOCUMENTS

2,086,980 A 7/1937 Kirby 248/161
2,658,707 A 11/1953 Heuer 248/113

4,303,109 A * 12/1981 Cohen 211/74
5,396,993 A 3/1995 Spitler 211/13
D376,058 S 12/1996 Fard D6/462
D389,703 S 1/1998 Marts D7/601
D476,847 S 7/2003 Kingsley et al. D7/388
2008/0035590 A1 * 2/2008 Huang 211/70.6

* cited by examiner

Primary Examiner—Terry A Wallace

(74) *Attorney, Agent, or Firm*—Seed IP Law Group PLLC

(57) **CLAIM**

The ornamental design for a utensil holder, as shown and described.

DESCRIPTION

FIG. 1 is a perspective view of a utensil holder showing our new design.

FIG. 2 is a left side elevation view thereof.

FIG. 3 is a right side elevation view thereof.

FIG. 4 is a front elevation view thereof.

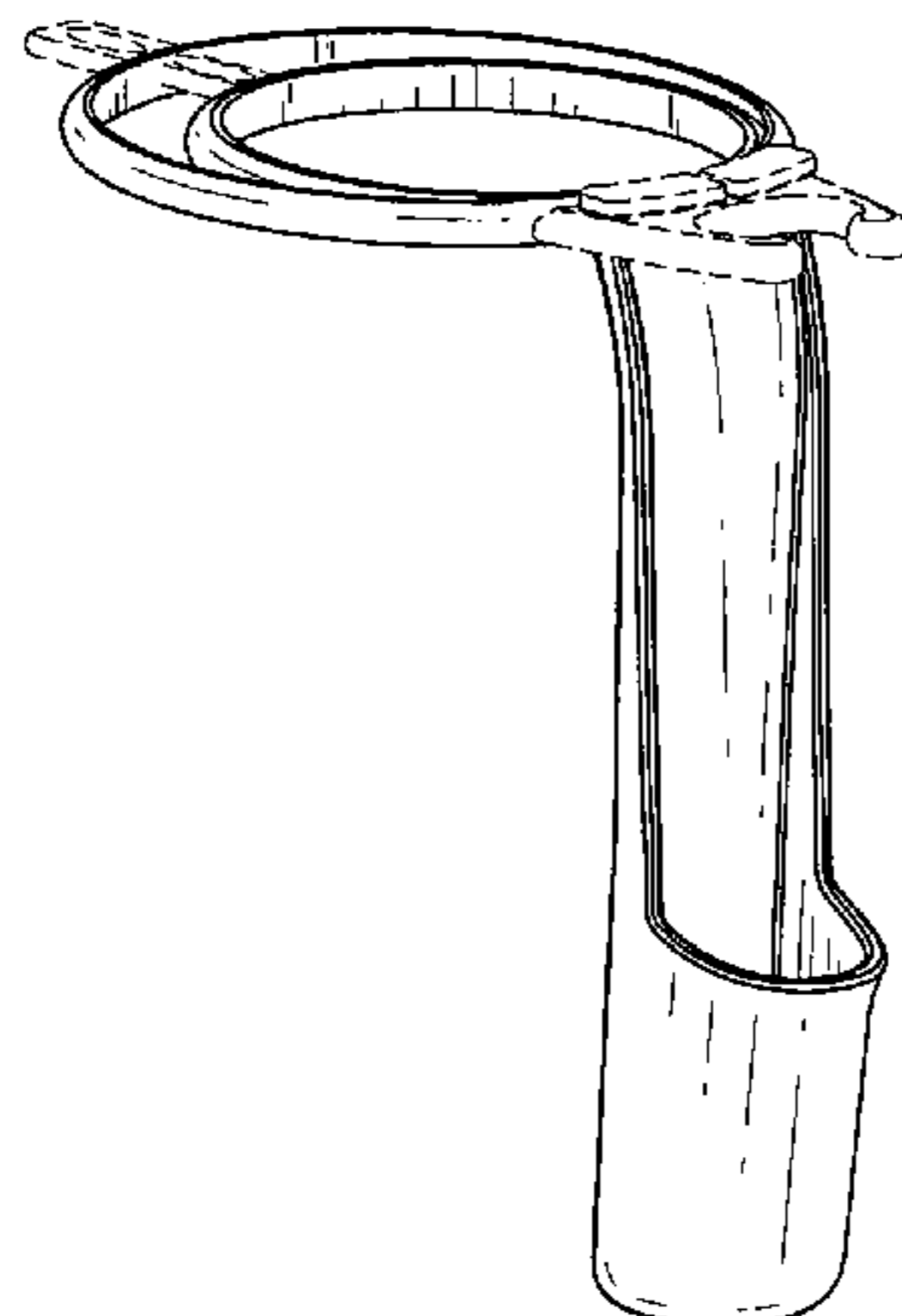
FIG. 5 is a rear elevation view thereof.

FIG. 6 is a top plan view thereof; and,

FIG. 7 is a bottom plan view thereof.

The broken lines in the figures are for illustrative purposes only and form no part of the claimed design.

1 Claim, 5 Drawing Sheets



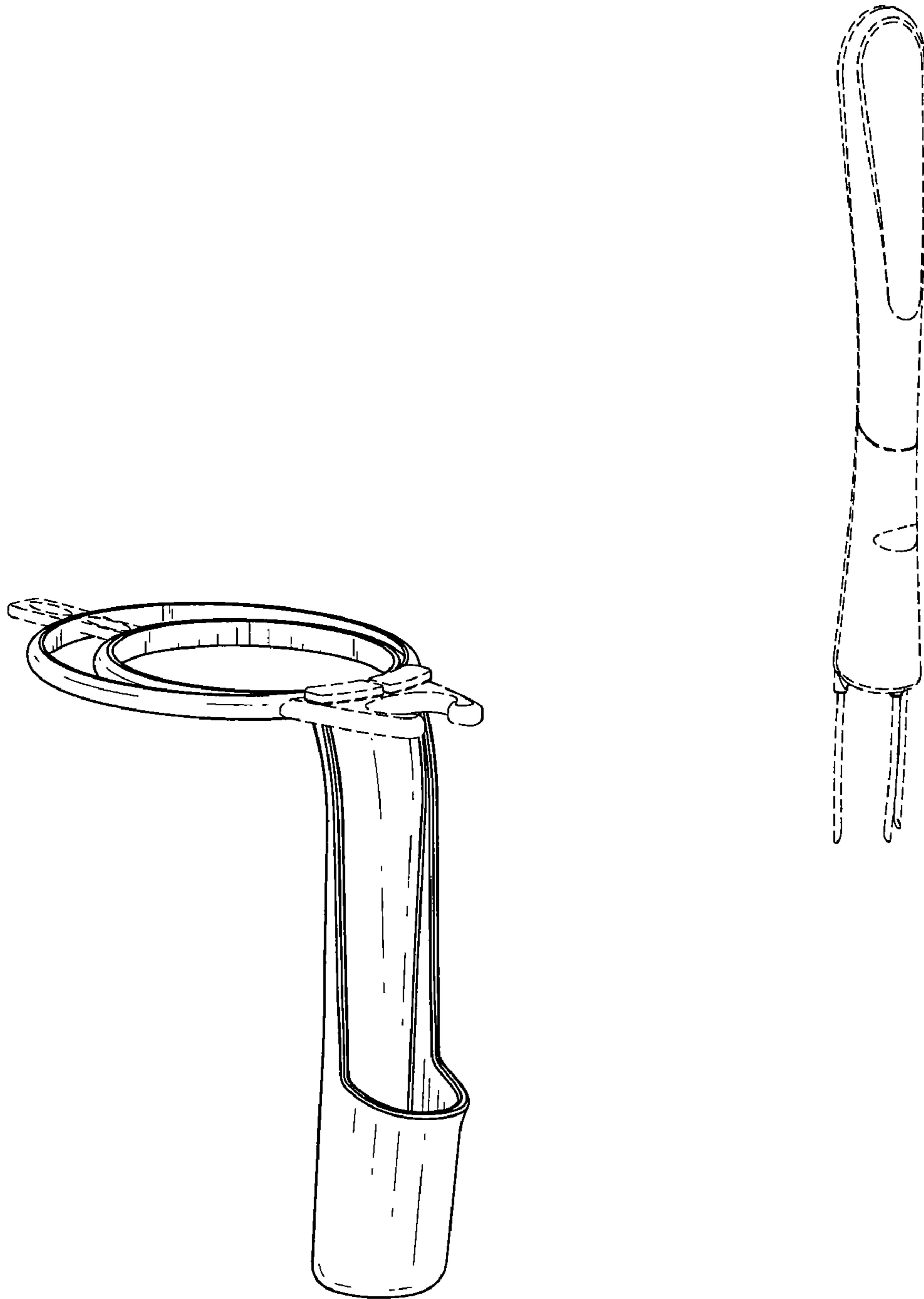


FIG. 1

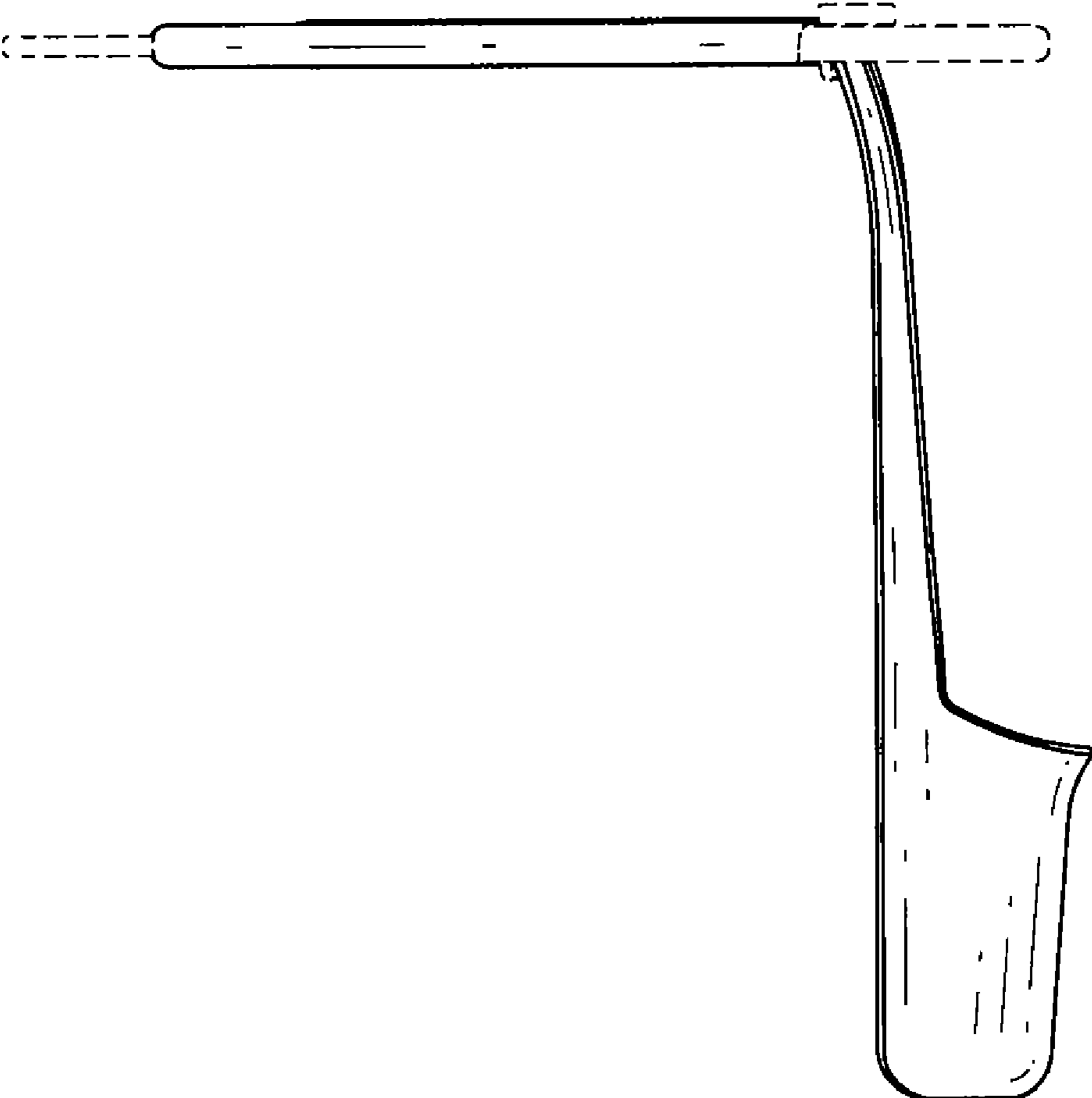


FIG. 2

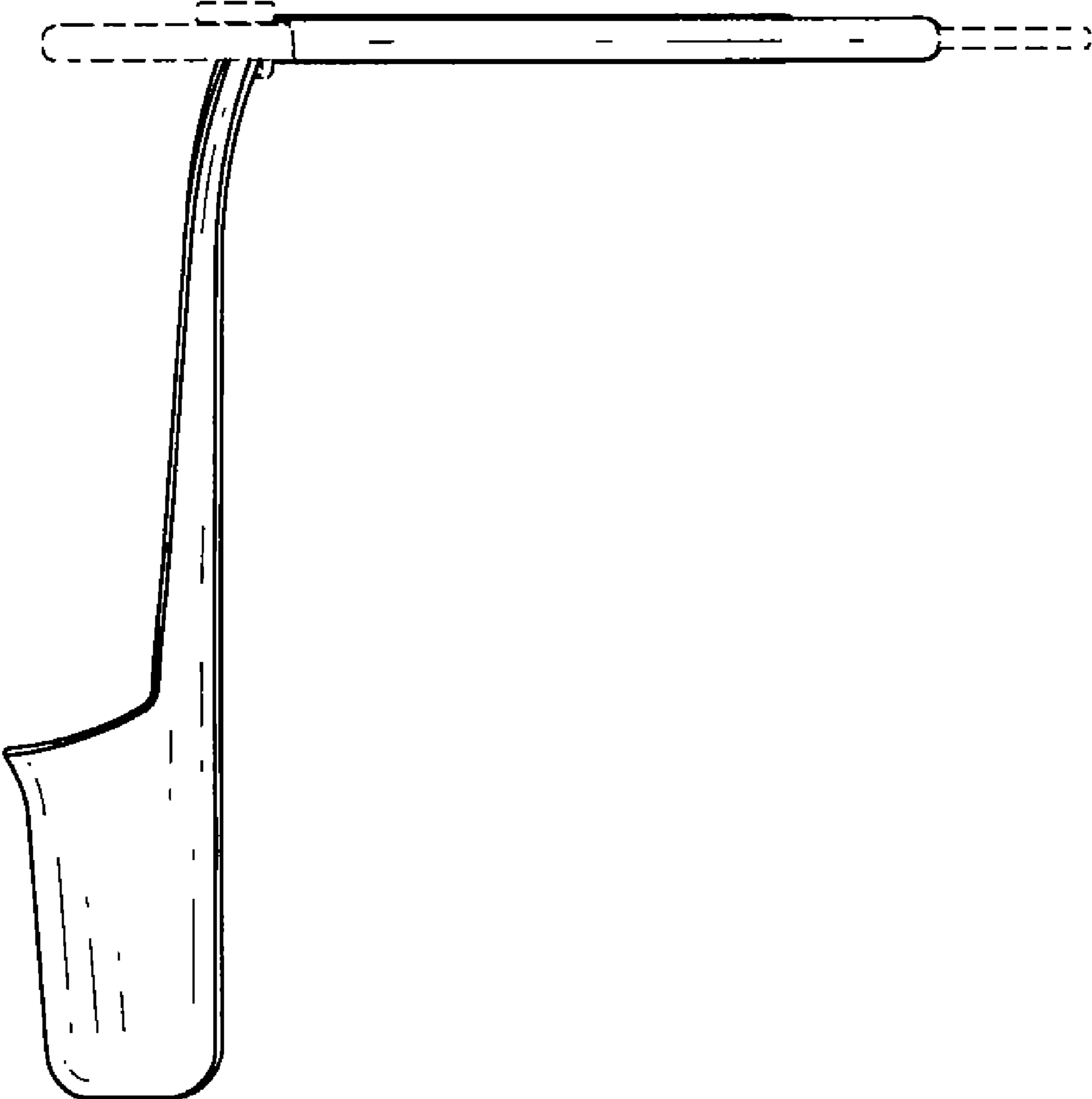


FIG. 3

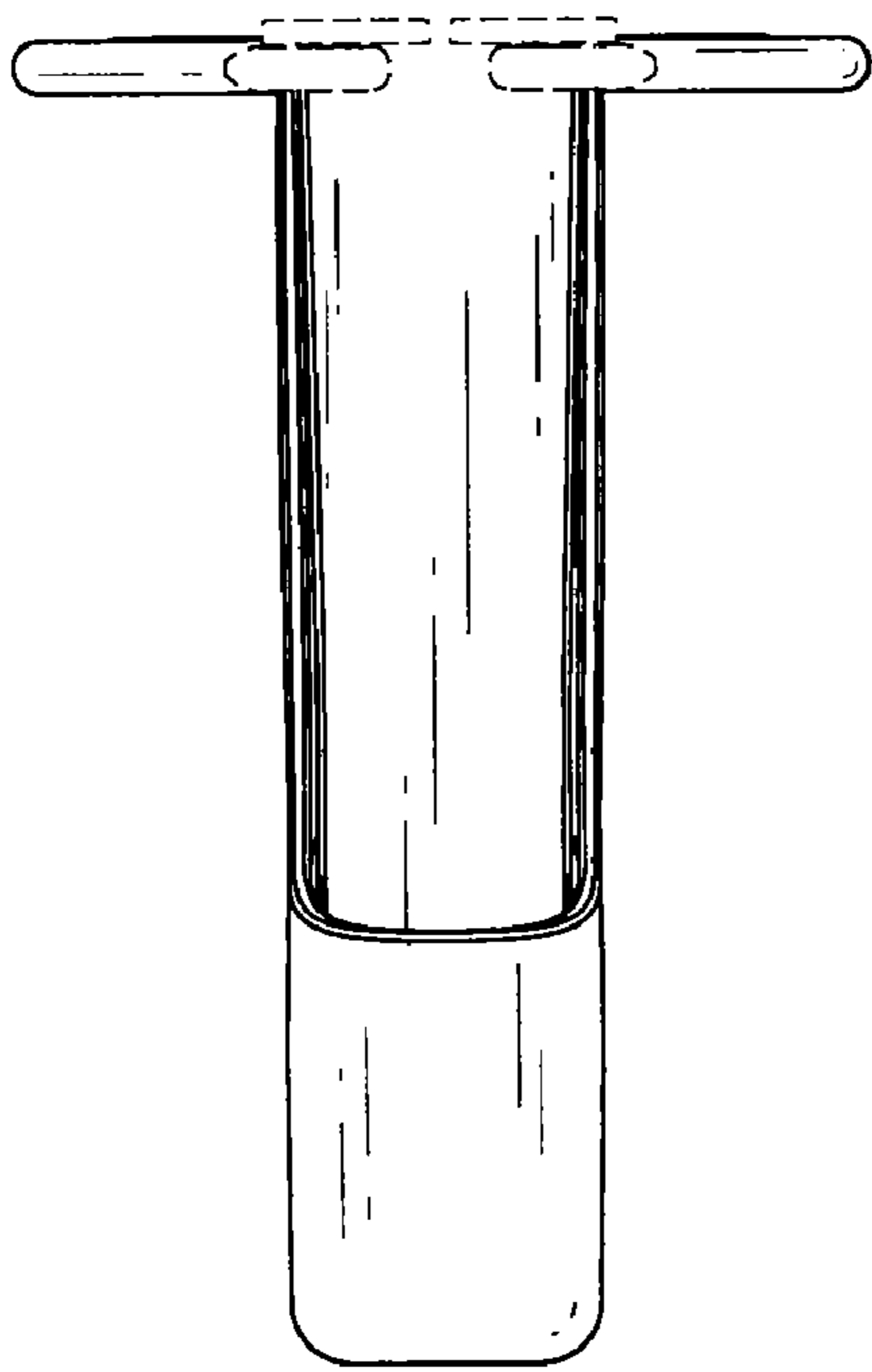


FIG. 4

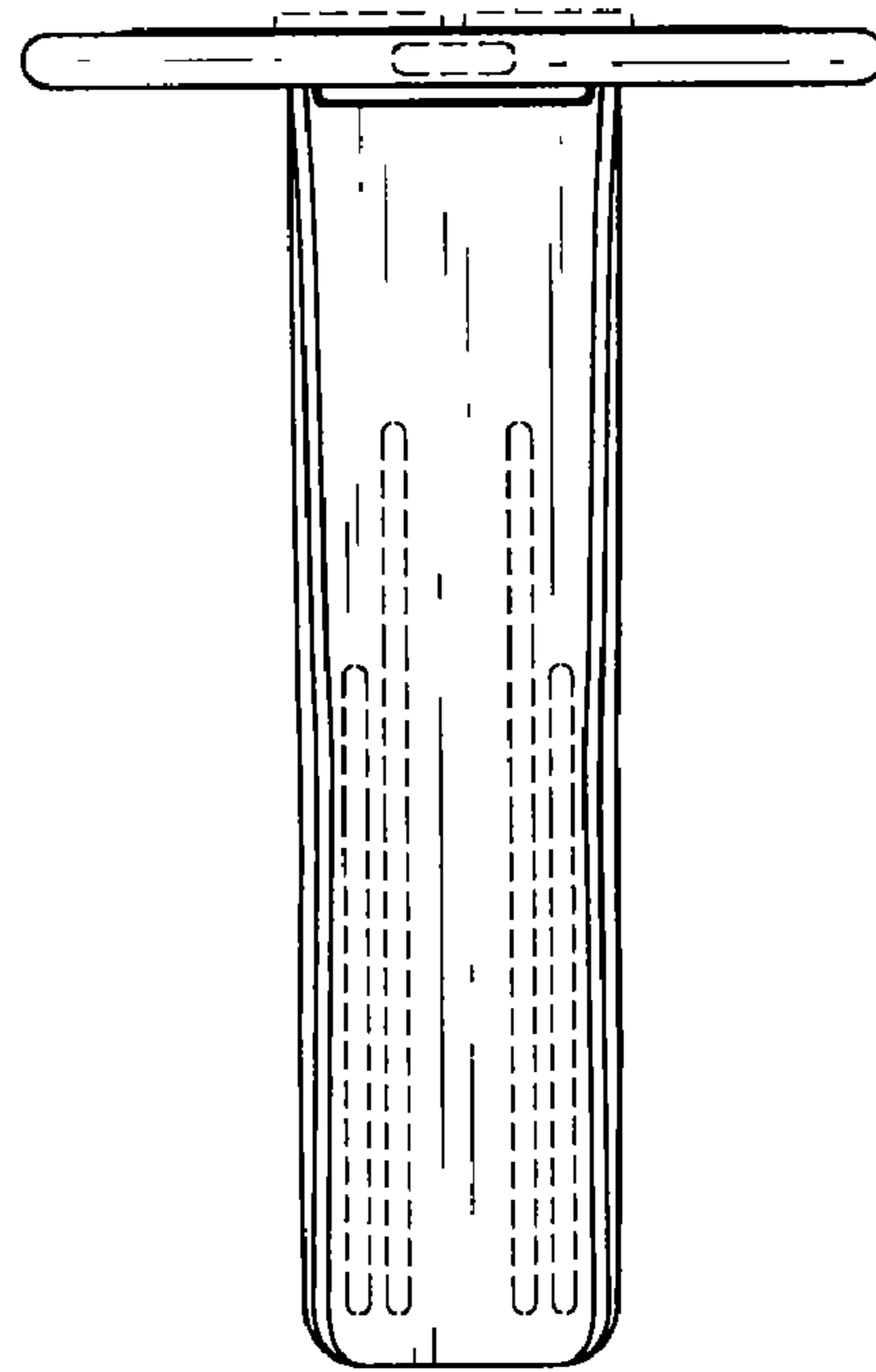


FIG. 5

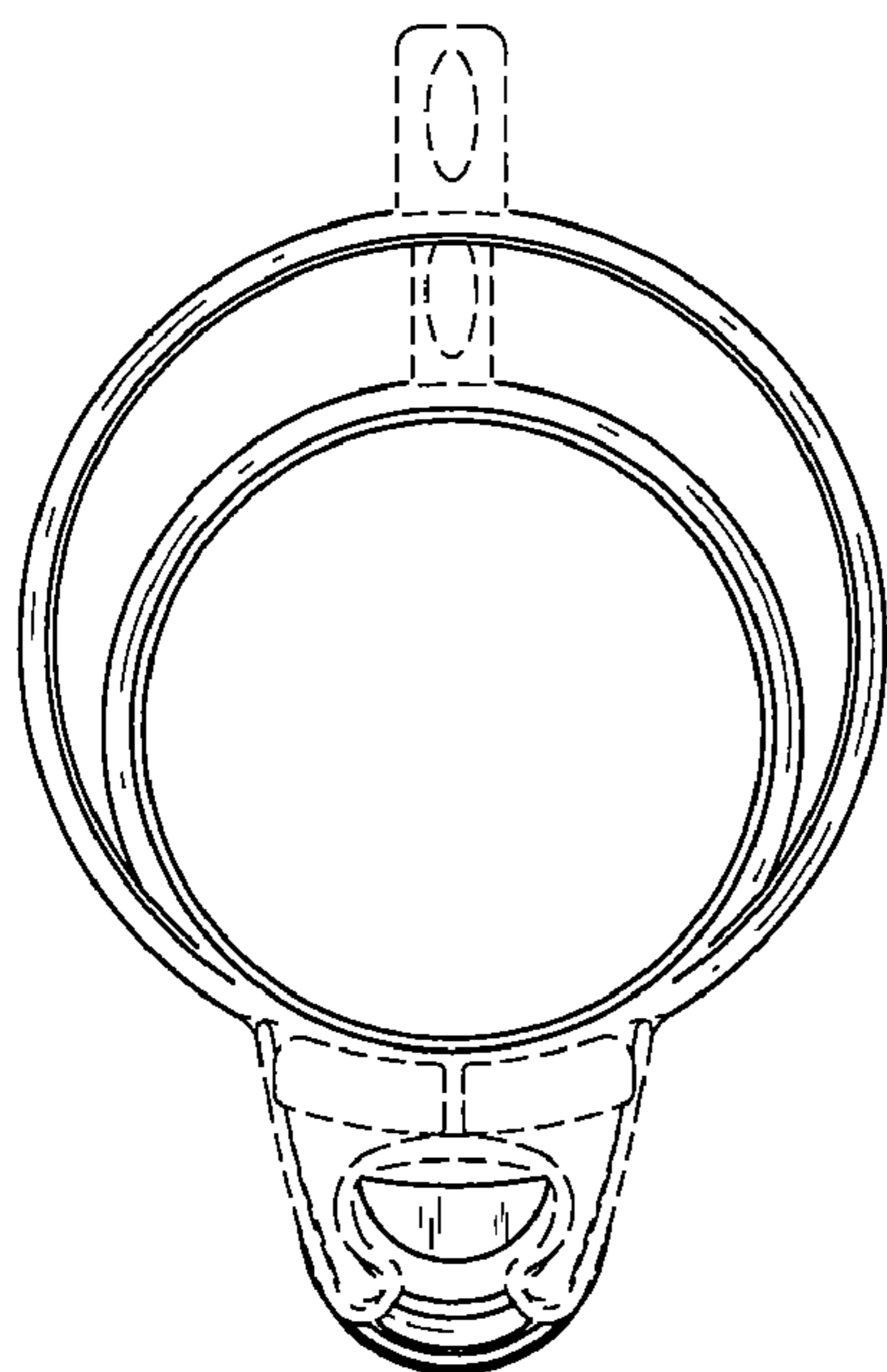


FIG. 6

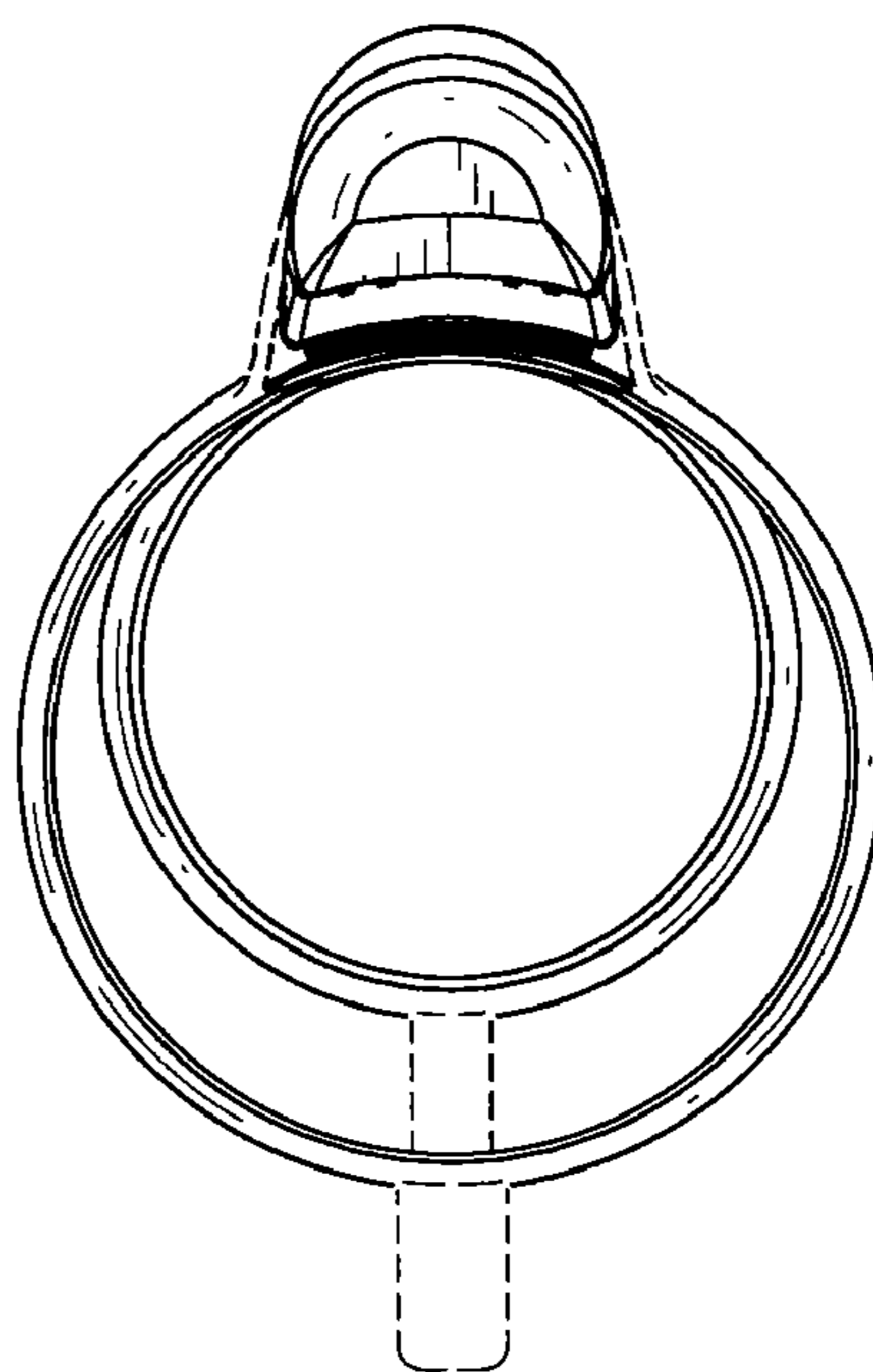


FIG. 7