

US00D603655S

(12) **United States Design Patent**
Lin

(10) **Patent No.:** **US D603,655 S**
(45) **Date of Patent:** **** Nov. 10, 2009**

- (54) **TIERED SEAFOOD TRAY**
 - (75) Inventor: **Duke Lin**, Rancho Palos Verdes, CA (US)
 - (73) Assignee: **Ocean Duke Corporation**, Torrance, CA (US)
 - (**) Term: **14 Years**
 - (21) Appl. No.: **29/298,862**
 - (22) Filed: **Dec. 13, 2007**
 - (51) **LOC (9) Cl.** **07-01**
 - (52) **U.S. Cl.** **D7/553.6; D7/552.2**
 - (58) **Field of Classification Search** D7/550.1, D7/565, 566, 570, 584, 586, 588, 554.2, 545, D7/505, 509, 510, 507, 553.6; D9/431, 432; 220/23.83, 657, 654, 771, 904, 574, 212, 220/574.4, 577, 561, 503, 575; 206/307, 206/308.1, 308.3, 504, 564, 440, 561; 425/623, 425/459
- See application file for complete search history.

- D404,612 S 1/1999 Blazeovich
- 5,869,120 A 2/1999 Blazeovich
- 5,894,944 A 4/1999 Swift
- D411,709 S 6/1999 Curtis et al.
- D420,285 S 2/2000 Sagan et al.
- 6,021,903 A 2/2000 Hanson
- 6,022,571 A 2/2000 Blazeovich
- 6,042,856 A 3/2000 Sagan et al.
- D422,907 S 4/2000 Sagan et al.
- 6,168,813 B1 1/2001 Blazeovich
- D452,146 S 12/2001 Lin
- D460,897 S 7/2002 Leuenberger
- D461,099 S 8/2002 Leuenberger
- D464,531 S 10/2002 Blazeovich
- 6,514,548 B2 2/2003 Lin
- 6,520,352 B2 2/2003 Mondragon
- 6,550,630 B1 * 4/2003 Krupa 220/575
- D481,593 S 11/2003 Blazeovich
- 6,681,684 B1 1/2004 Chen
- D489,608 S * 5/2004 Lin D7/554.2
- D489,972 S * 5/2004 Lin D7/553.6

(Continued)

Primary Examiner—Charles A Rademaker
(74) *Attorney, Agent, or Firm*—Kelly Lowry & Kelley, LLP

(56) **References Cited**

U.S. PATENT DOCUMENTS

- 1,614,338 A * 1/1927 Kametaro Awoki D7/557
- 1,949,285 A 2/1934 Porter
- D124,884 S * 1/1941 Wickerham D7/584
- 2,294,657 A * 9/1942 Flanagan 220/575
- D160,688 S 10/1950 Brock
- 3,951,079 A 4/1976 Tolleson
- D272,212 S 1/1984 Daenen et al.
- D304,658 S * 11/1989 Mattei D7/505
- 5,413,801 A 5/1995 McIlwain
- D360,112 S * 7/1995 McEntee D7/584
- D364,090 S 11/1995 Krupa
- D376,315 S * 12/1996 Gumowitz et al. D9/430
- D390,752 S * 2/1998 DeCoster D7/505
- 5,732,847 A * 3/1998 Caldi 220/575
- D394,985 S 6/1998 Curtis et al.
- D396,606 S 8/1998 Blazeovich
- D401,810 S 12/1998 Swift
- 5,843,500 A 12/1998 Guarino

(57) **CLAIM**

The ornamental design for a tiered seafood tray, as shown and described.

DESCRIPTION

FIG. 1 is a top and side perspective view of a tiered seafood tray showing my new design with shrimp shown in broken lines to illustrate environment and forming no part of the claimed design;

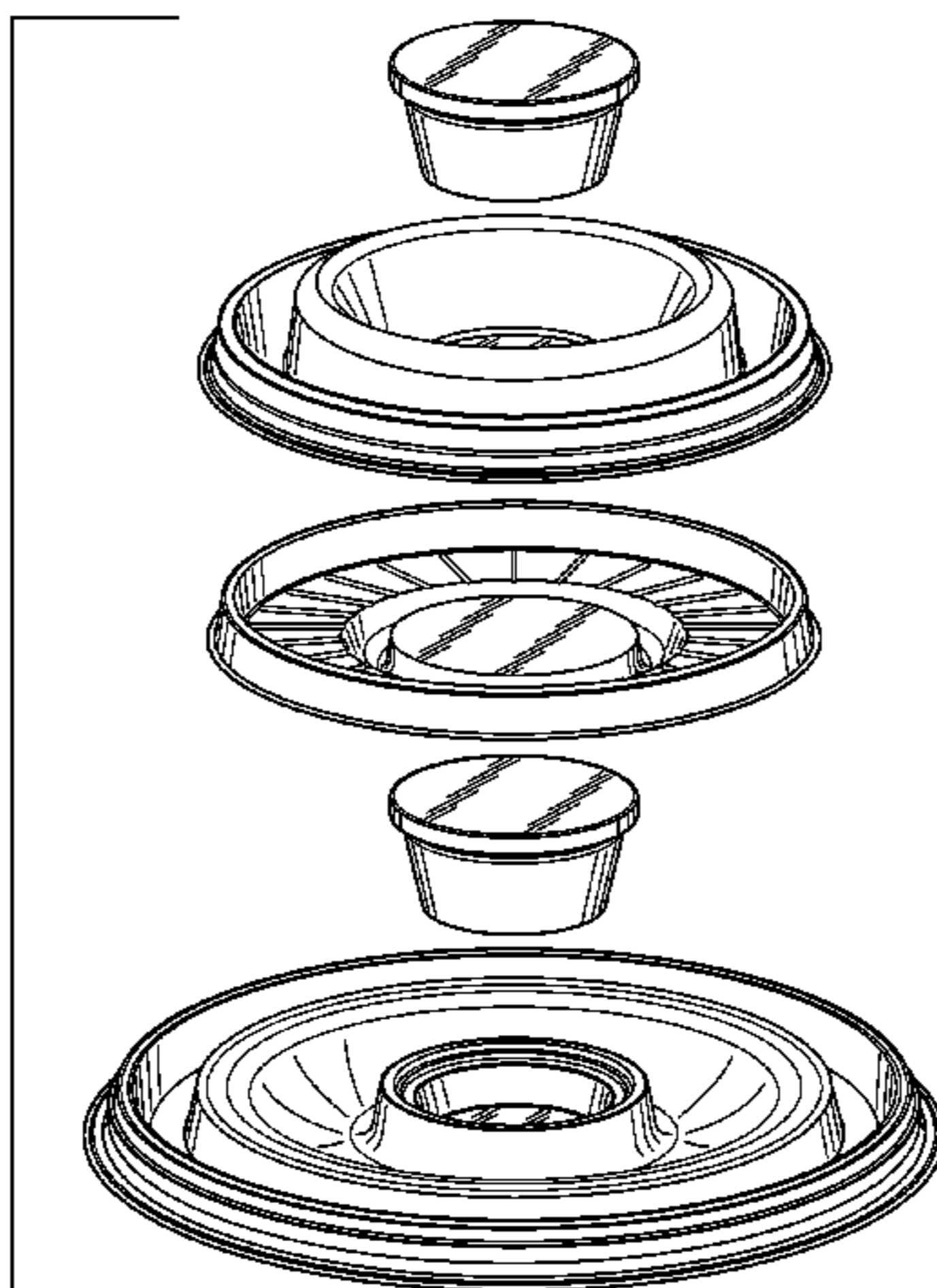
FIG. 2 is a top and side perspective view thereof shown without environment;

FIG. 3 is a side elevational view thereof;

FIG. 4 is a top plan view thereof; and,

FIG. 5 is a front perspective view thereof shown in an exploded condition.

1 Claim, 3 Drawing Sheets



US D603,655 S

Page 2

U.S. PATENT DOCUMENTS

| | | | | |
|--------------|------|---------|------------------------|----------|
| 6,863,912 | B2 | 3/2005 | Lin | |
| D511,273 | S * | 11/2005 | Hadeler | D7/553.6 |
| D514,889 | S * | 2/2006 | Wellner | D7/584 |
| D523,185 | S * | 6/2006 | Oliphant | D30/130 |
| D526,536 | S * | 8/2006 | Littlejohn et al. | D7/553.6 |
| D527,224 | S * | 8/2006 | Roth et al. | D7/584 |
| D527,952 | S * | 9/2006 | Roth et al. | D7/540 |
| D527,954 | S * | 9/2006 | Roth | D7/557 |
| D589,303 | S * | 3/2009 | Sarnoff et al. | D7/586 |
| 2003/0129284 | A1 | 7/2003 | Leuenberger | |
| 2008/0110914 | A1 * | 5/2008 | Anderson et al. | 220/912 |

* cited by examiner

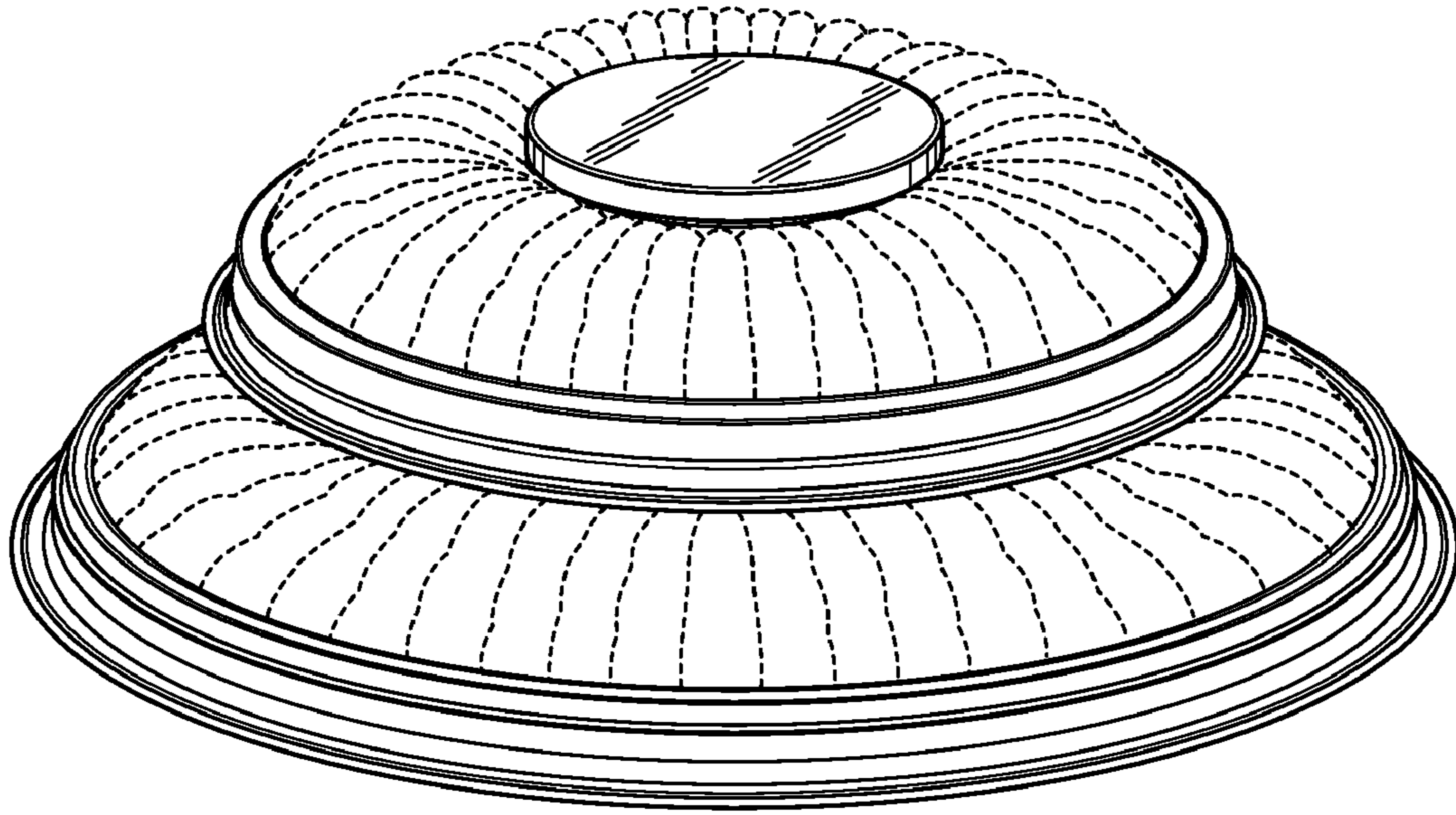


FIG. 1

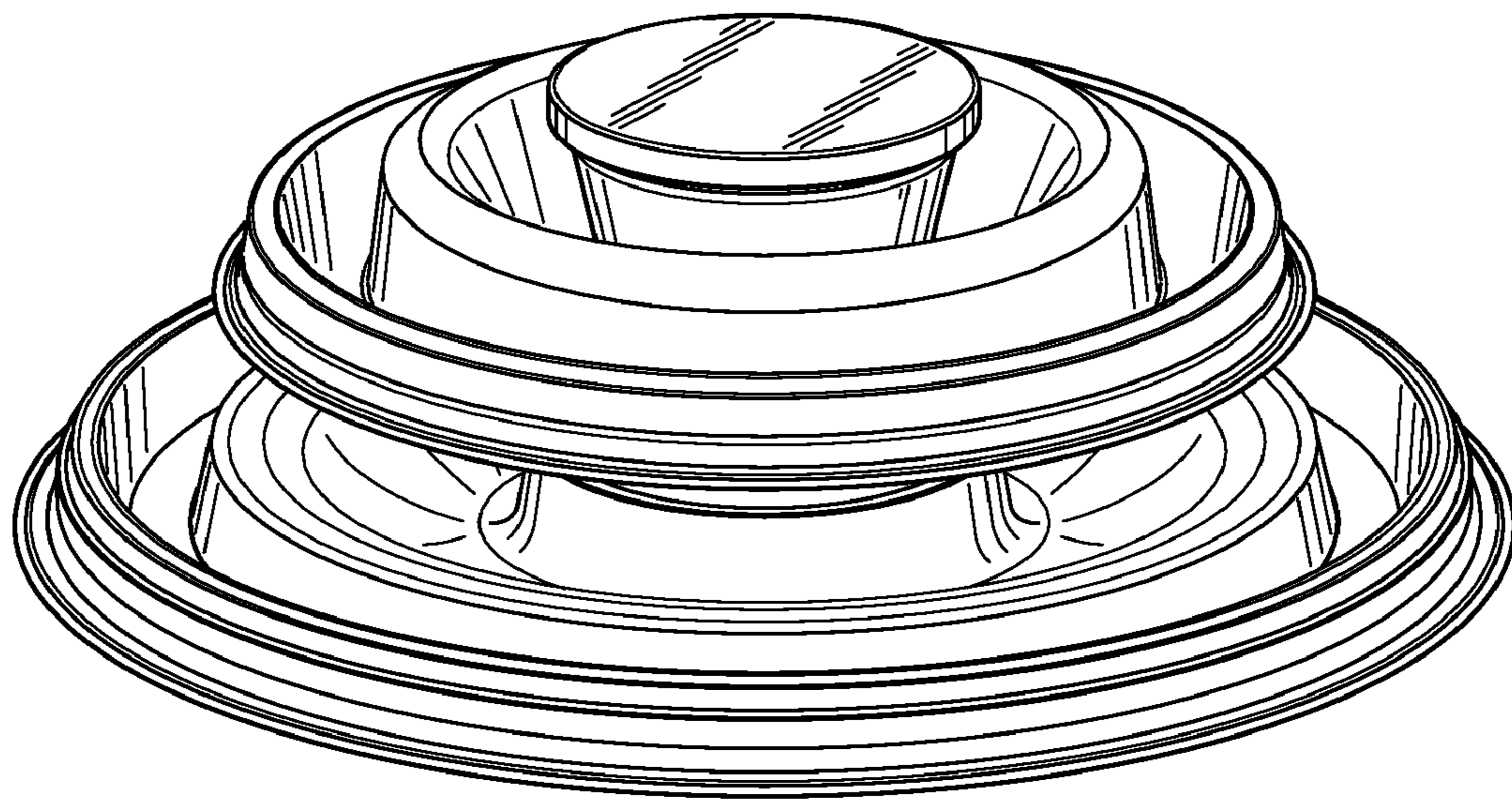


FIG. 2

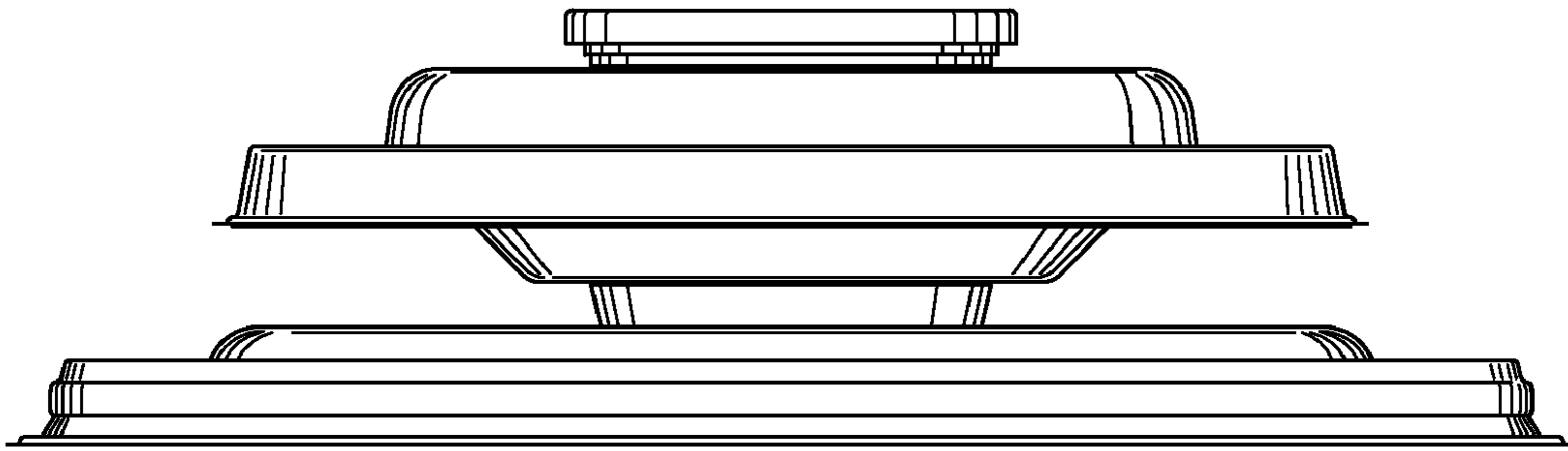


FIG. 3

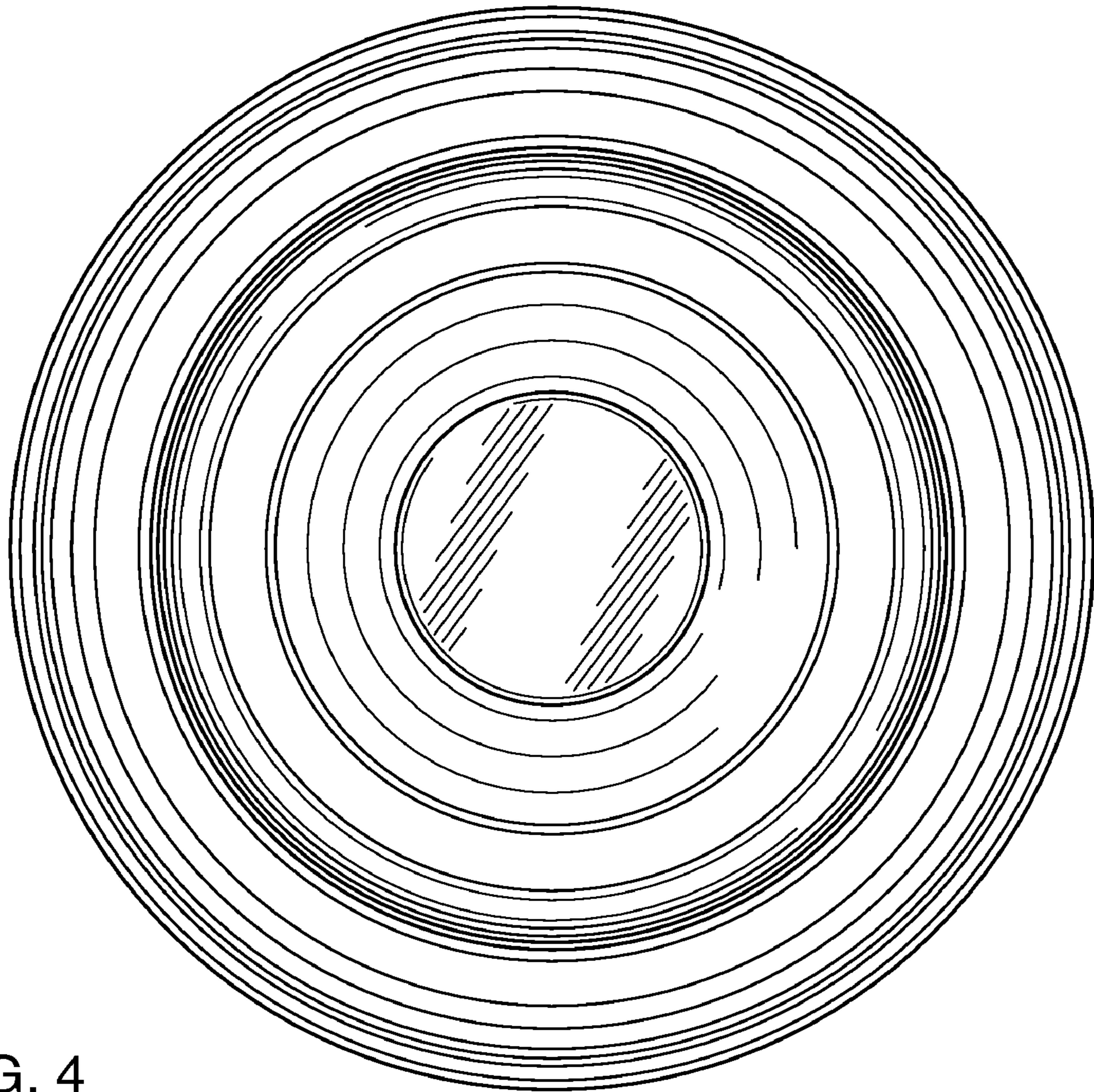


FIG. 4

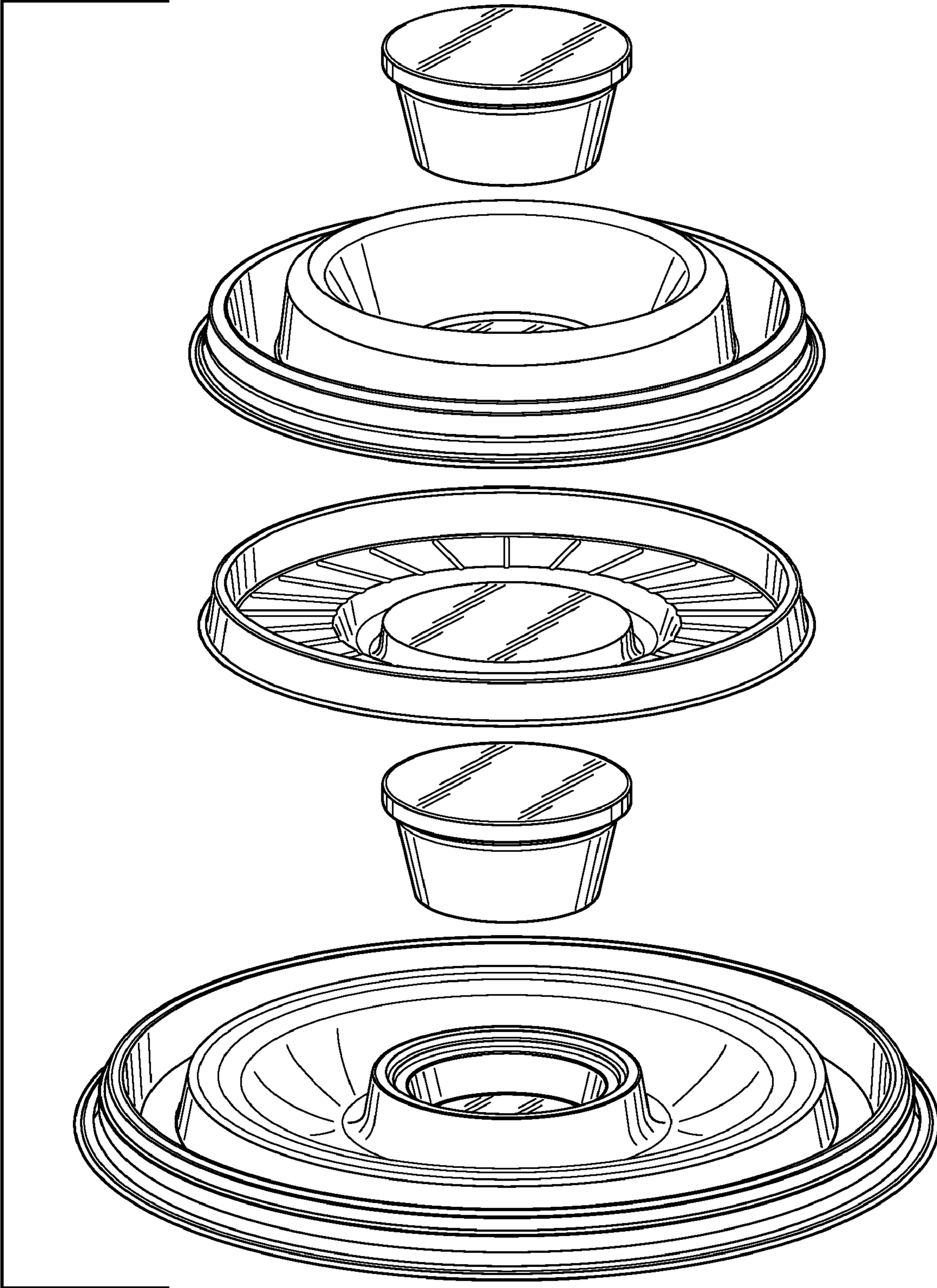


FIG. 5