



US00D603648S

(12) **United States Design Patent**  
**Bodum**

(10) **Patent No.:** **US D603,648 S**

(45) **Date of Patent:** **\*\* Nov. 10, 2009**

(54) **TEA POT**

(75) Inventor: **Jørgen Bodum**, Meggen (CH)

(73) Assignee: **Pi-Design AG**, Triengen (CH)

(\*\*) Term: **14 Years**

(21) Appl. No.: **29/299,749**

(22) Filed: **Jan. 3, 2008**

(30) **Foreign Application Priority Data**

Jul. 4, 2007 (DK) ..... DA 2007 00162

(51) **LOC (9) Cl.** ..... **07-01**

(52) **U.S. Cl.** ..... **D7/321; D7/312**

(58) **Field of Classification Search** ..... D7/322,  
D7/318, 317, 319, 321, 312; D23/212; 210/238;  
220/298; 222/571; 99/302 P, 322, 295, 317  
See application file for complete search history.

(56) **References Cited**

**U.S. PATENT DOCUMENTS**

1,012,680	A *	12/1911	Mayer	99/322
1,571,116	A *	1/1926	Green et al.	222/108
1,758,407	A *	5/1930	Parkinson	99/317
2,105,201	A *	1/1938	Richheimer	220/298
5,453,189	A *	9/1995	Joergensen	210/238
D415,648	S *	10/1999	Joergensen	D7/317
D454,026	S *	3/2002	Bodum	D7/321
D476,520	S *	7/2003	Bodum	D7/319
D486,989	S *	2/2004	Bodum	D7/321
D524,590	S *	7/2006	Bodum	D7/321
D552,404	S *	10/2007	Bodum	D7/321
D558,509	S *	1/2008	Bodum et al.	D7/321
D559,030	S *	1/2008	Bodum et al.	D7/319
D560,091	S *	1/2008	Bodum	D7/316
D575,094	S *	8/2008	Lebowitz	D7/321
D584,561	S *	1/2009	Ljunggren et al.	D7/322

\* cited by examiner

*Primary Examiner*—Marianne Pandozzi

(74) *Attorney, Agent, or Firm*—Cowan, Liebowitz & Latman, PC

(57) **CLAIM**

The ornamental design for a tea pot, as shown and described.

**DESCRIPTION**

FIG. 1 is a perspective view of a first embodiment of the tea pot, showing my design thereof;

FIG. 2 is a front view thereof;

FIG. 3 is a back view thereof;

FIG. 4 is a right side view thereof;

FIG. 5 is a left side view thereof;

FIG. 6 is a top view thereof;

FIG. 7 is a bottom view thereof;

FIG. 8 is a cross-sectional view thereof taken along line 8—8 of FIG. 6;

FIG. 9 is a perspective view of a second embodiment of the tea pot, showing my design thereof;

FIG. 10 is a front view thereof;

FIG. 11 is a back view thereof;

FIG. 12 is a right side view thereof;

FIG. 13 is a left side view thereof;

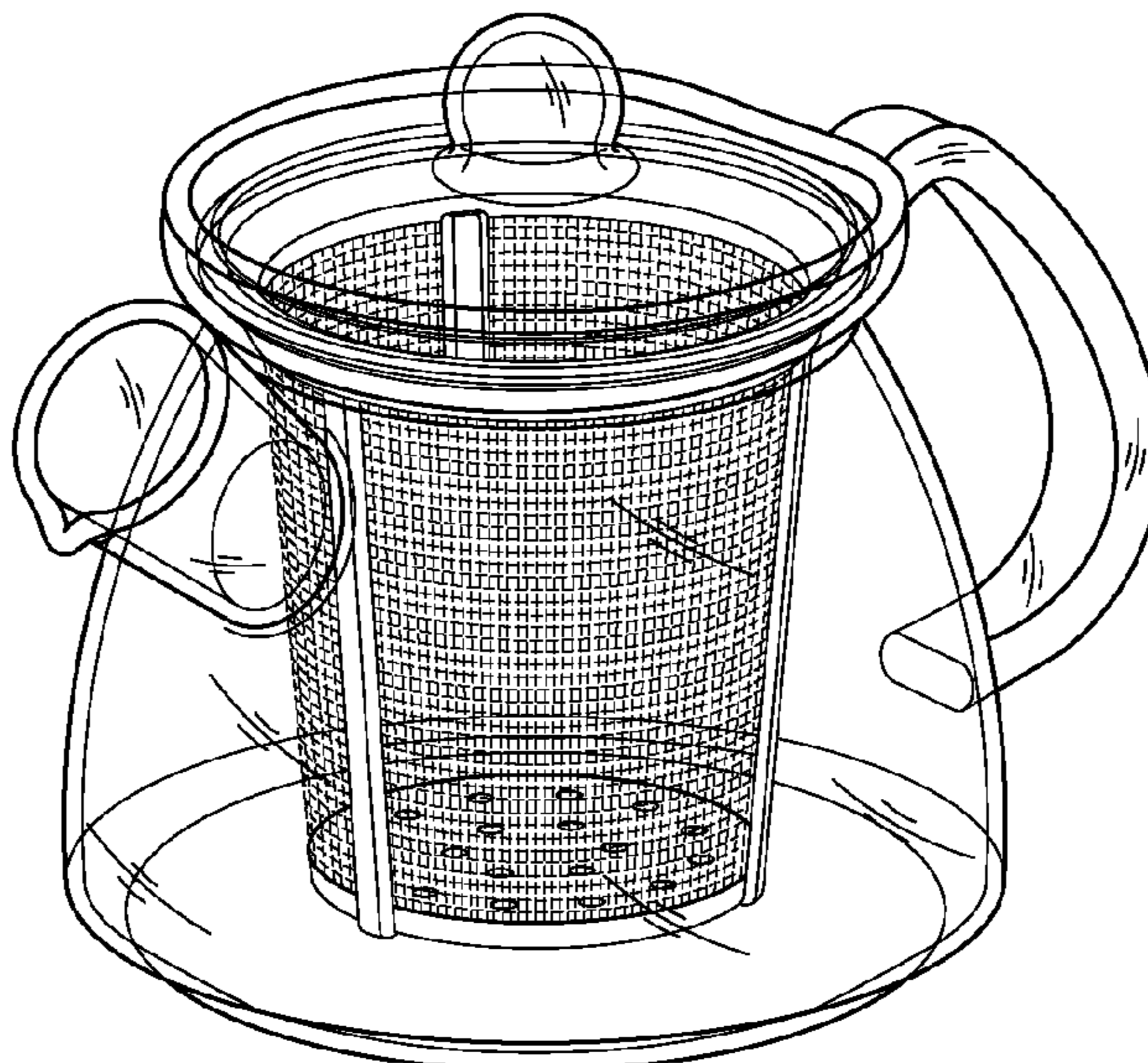
FIG. 14 is a top view thereof;

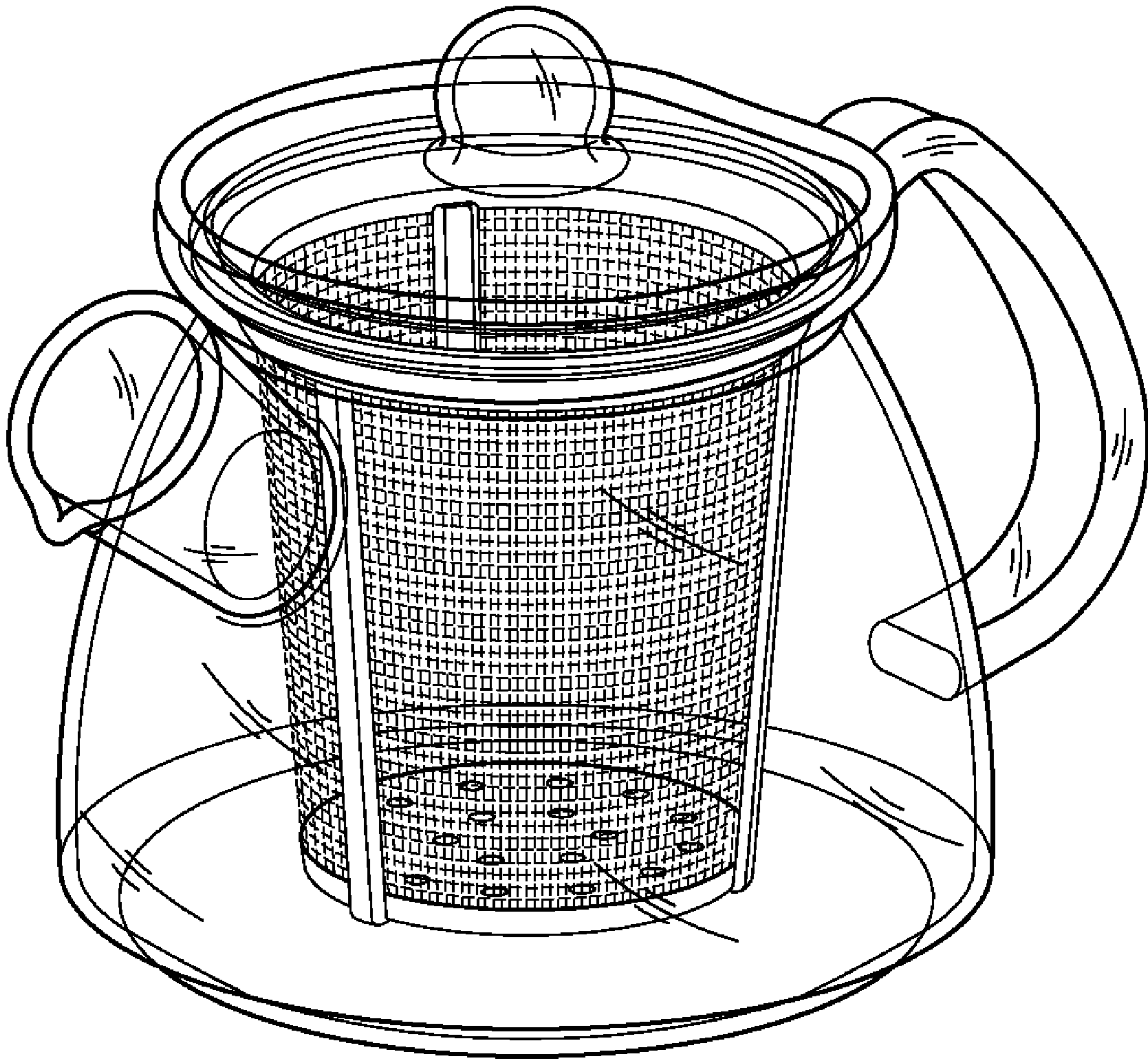
FIG. 15 is a bottom view thereof; and,

FIG. 16 is a cross-sectional view thereof taken along line 16—16 of FIG. 14.

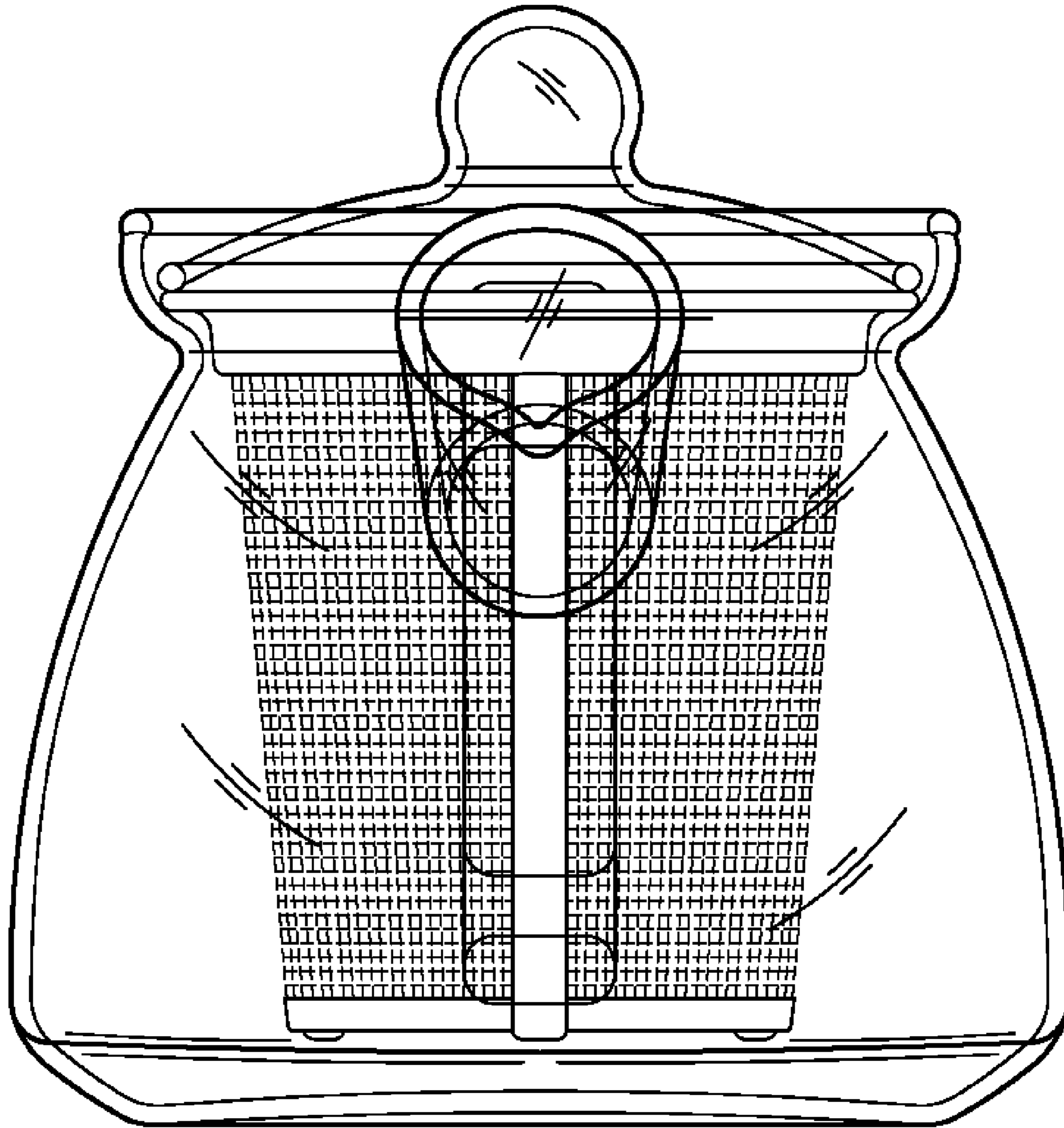
Broken lines showing mesh areas of a filter assembly of the tea pot are included for the purpose of illustrating a mesh configuration and form no part of the claimed design.

**1 Claim, 16 Drawing Sheets**

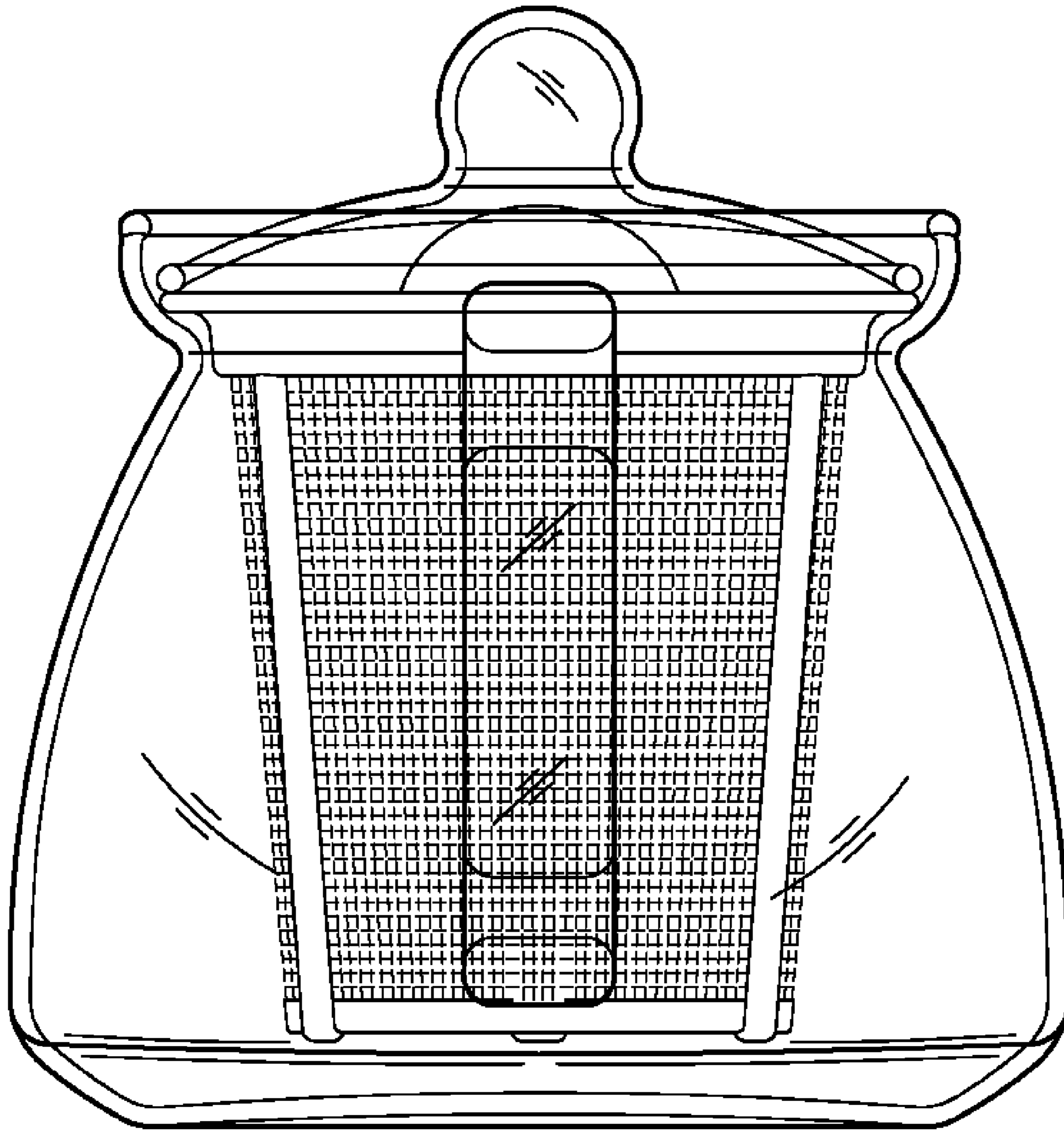




**FIG. 1**



**FIG. 2**



**FIG. 3**

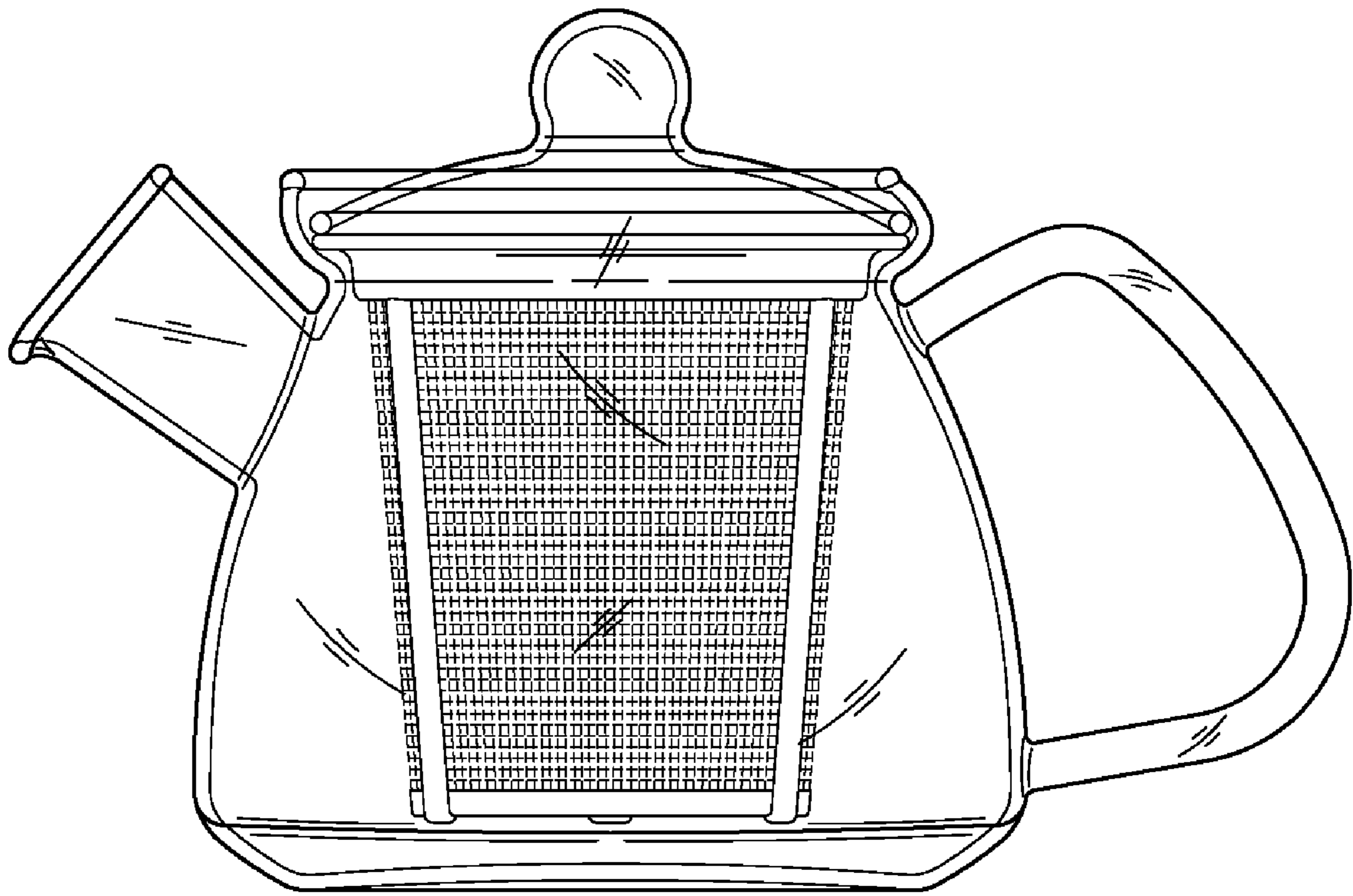


FIG. 4

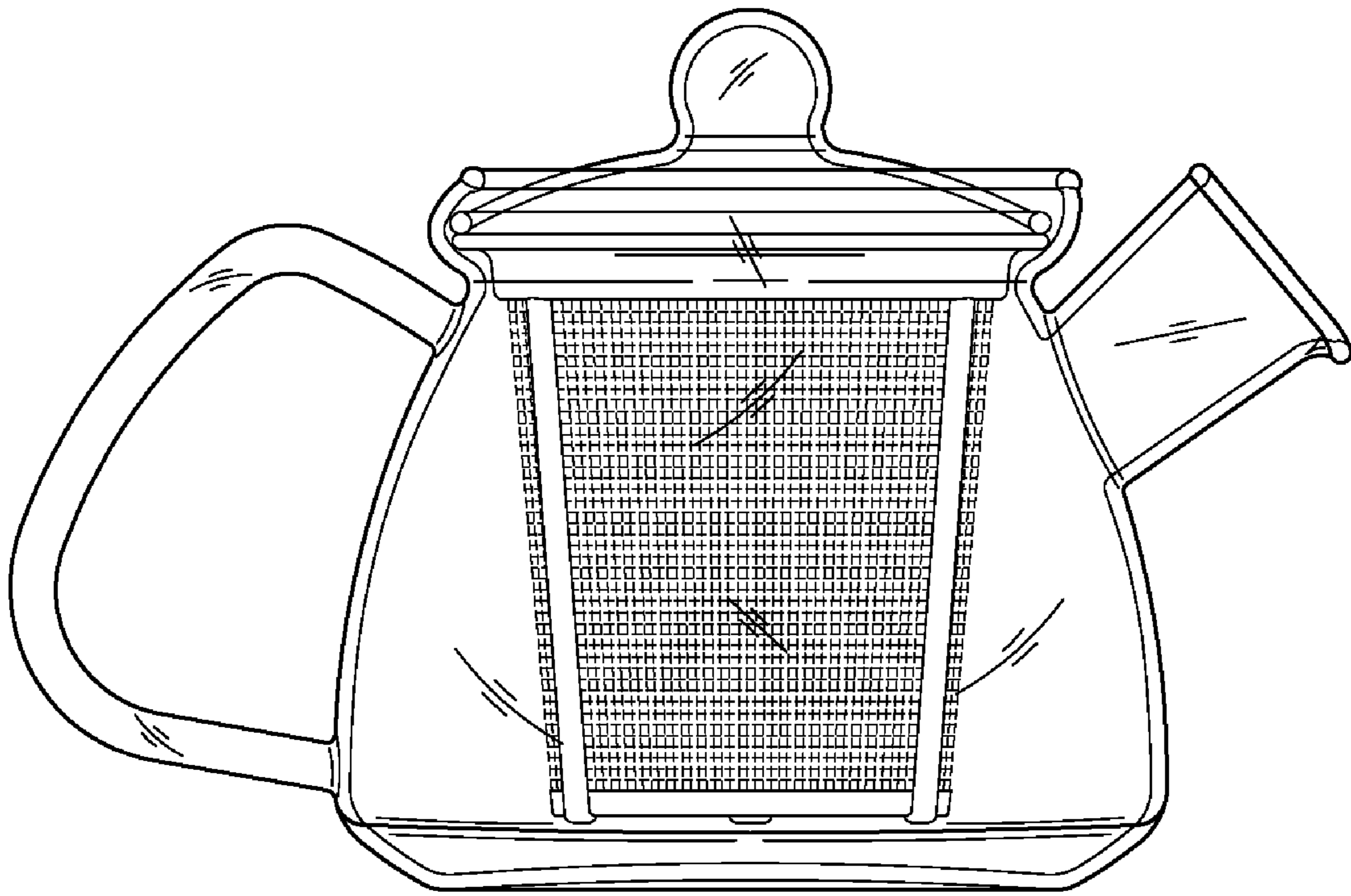


FIG. 5

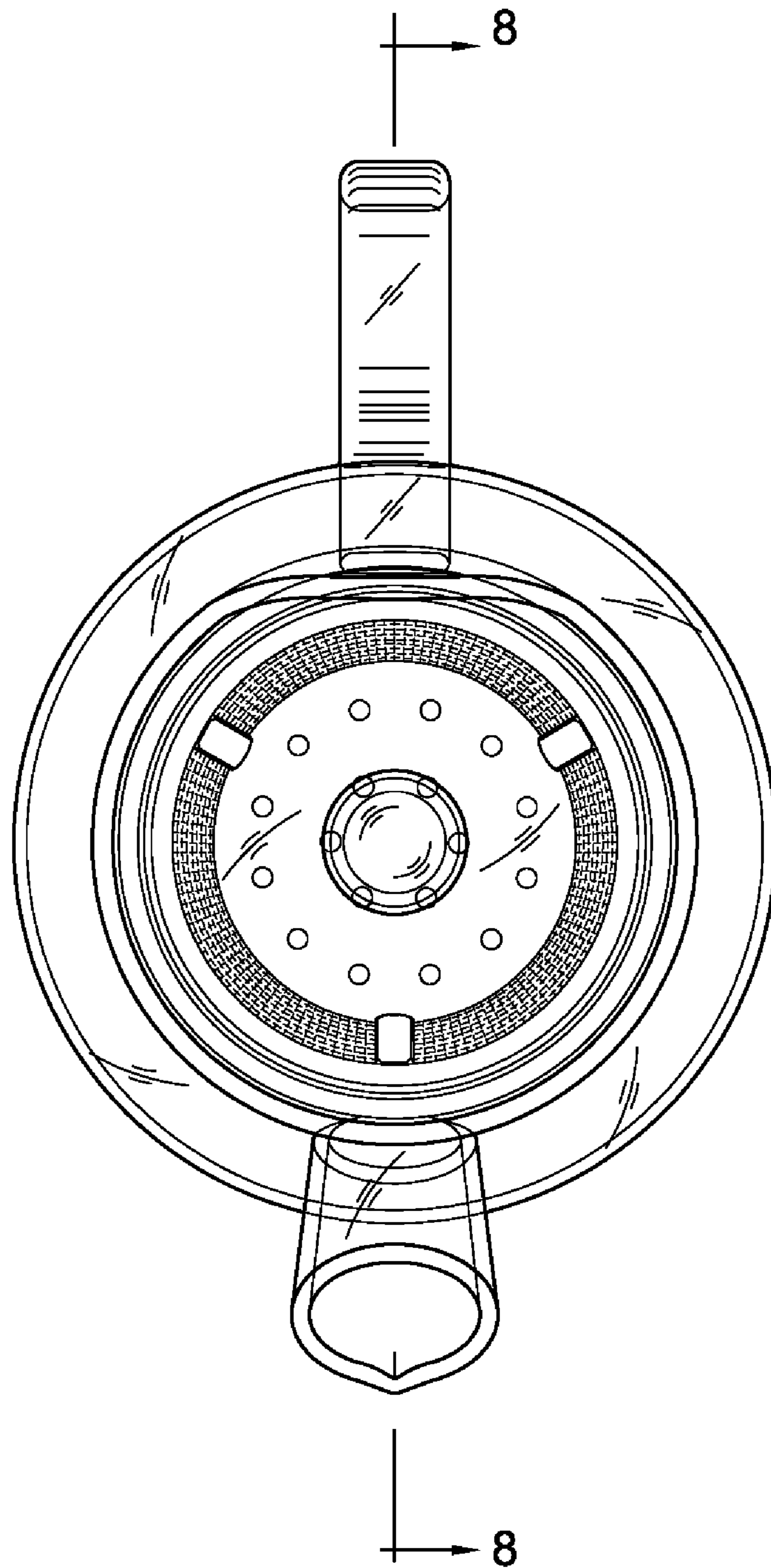
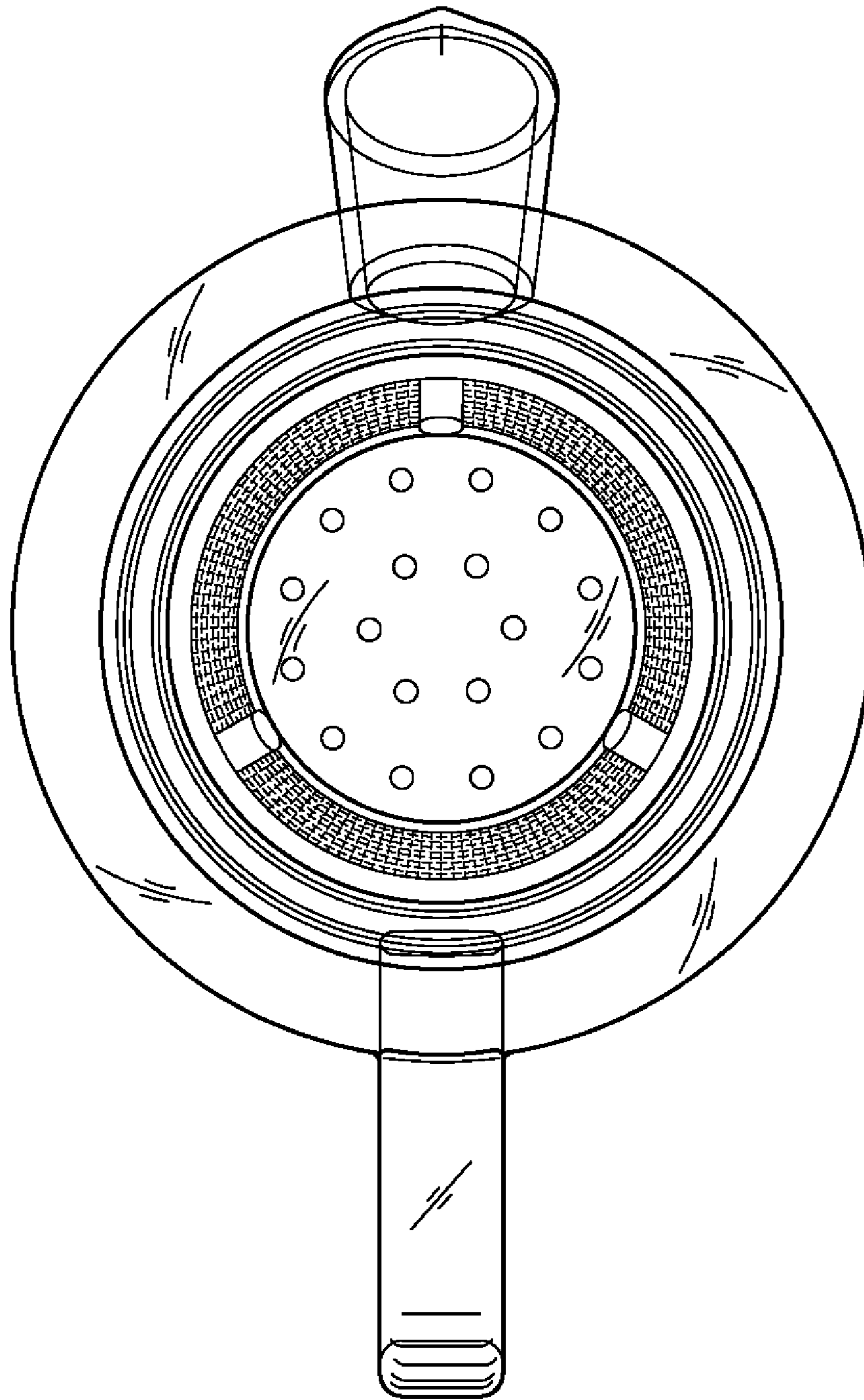


FIG. 6



**FIG. 7**



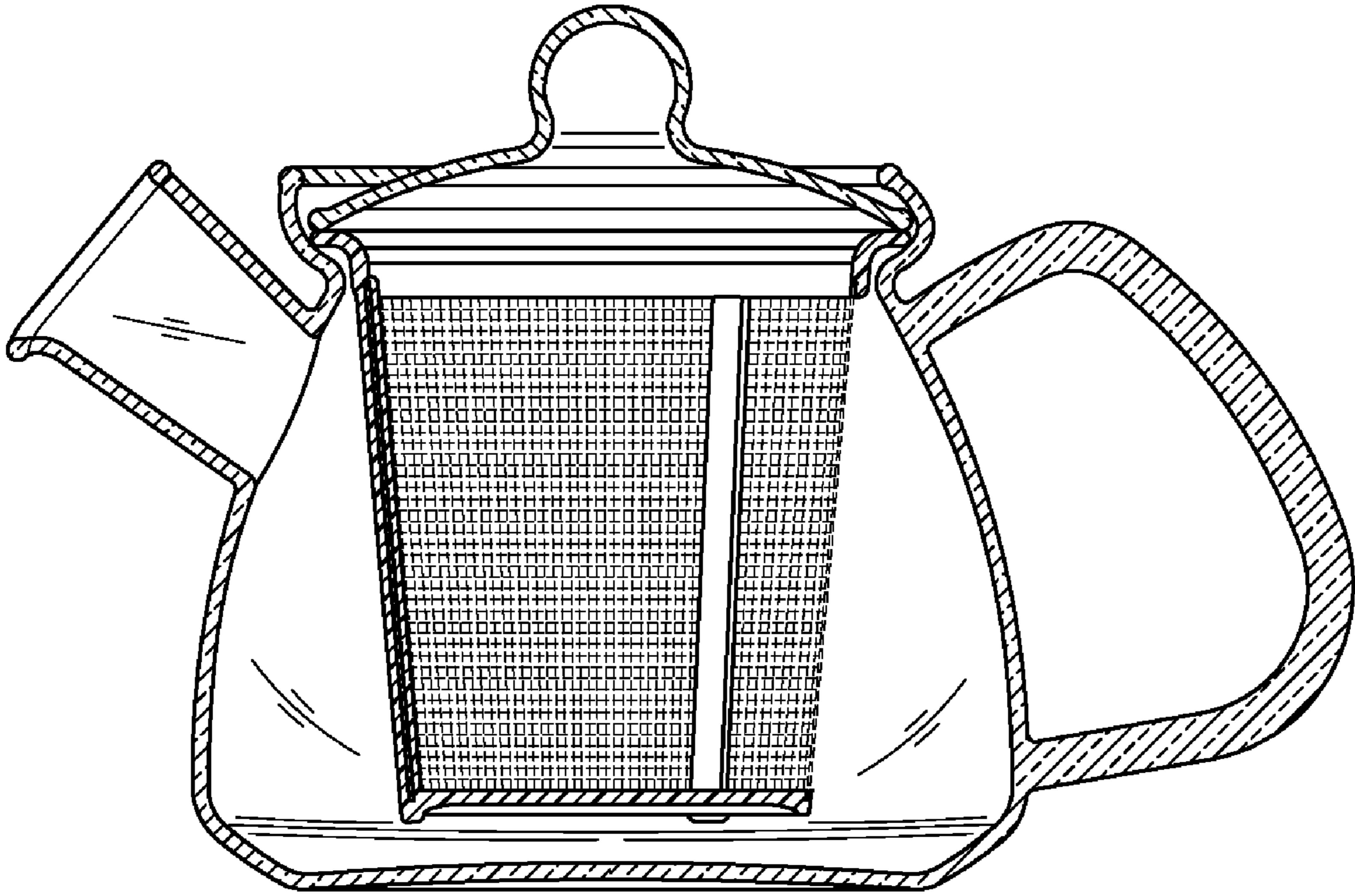
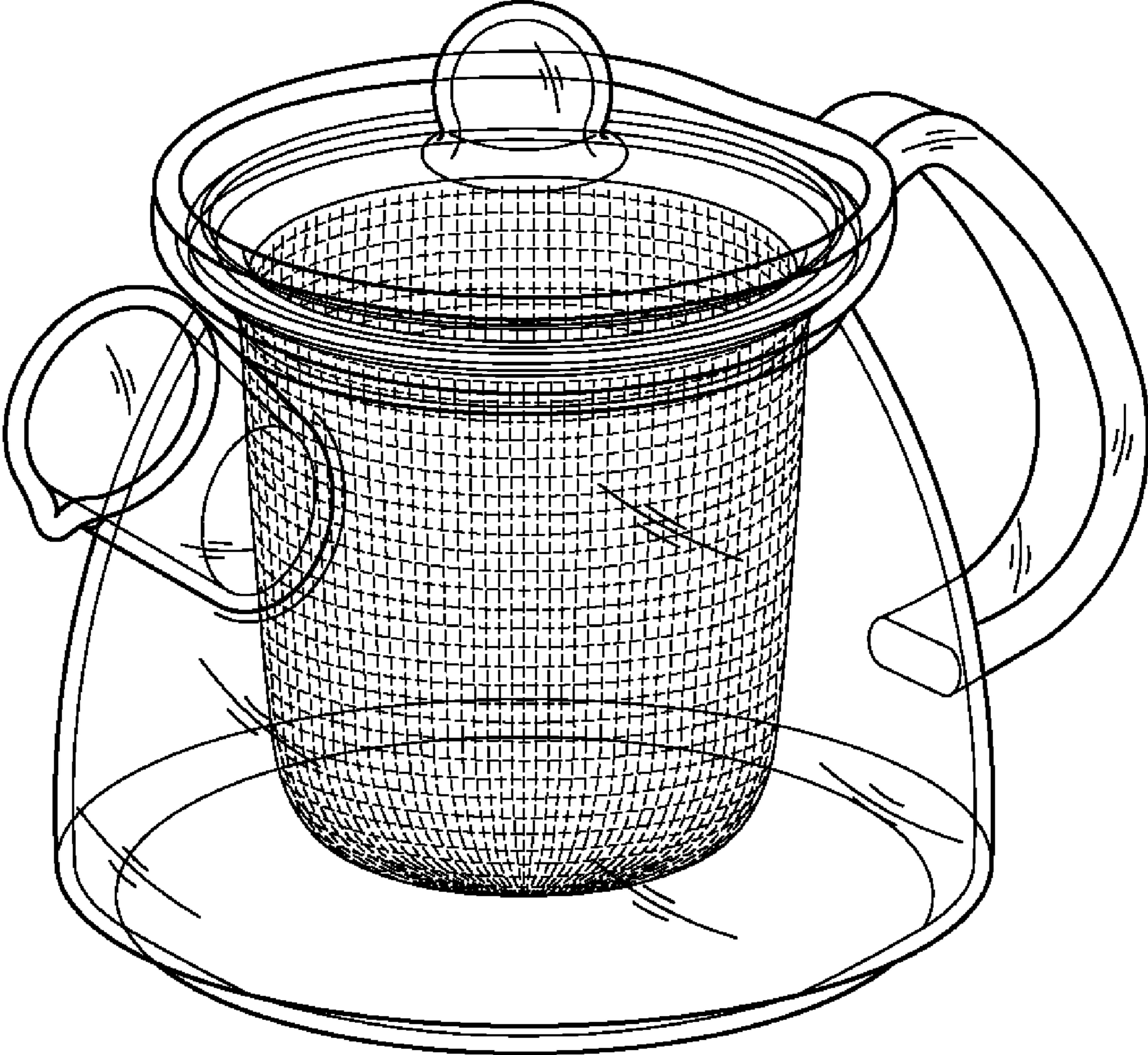
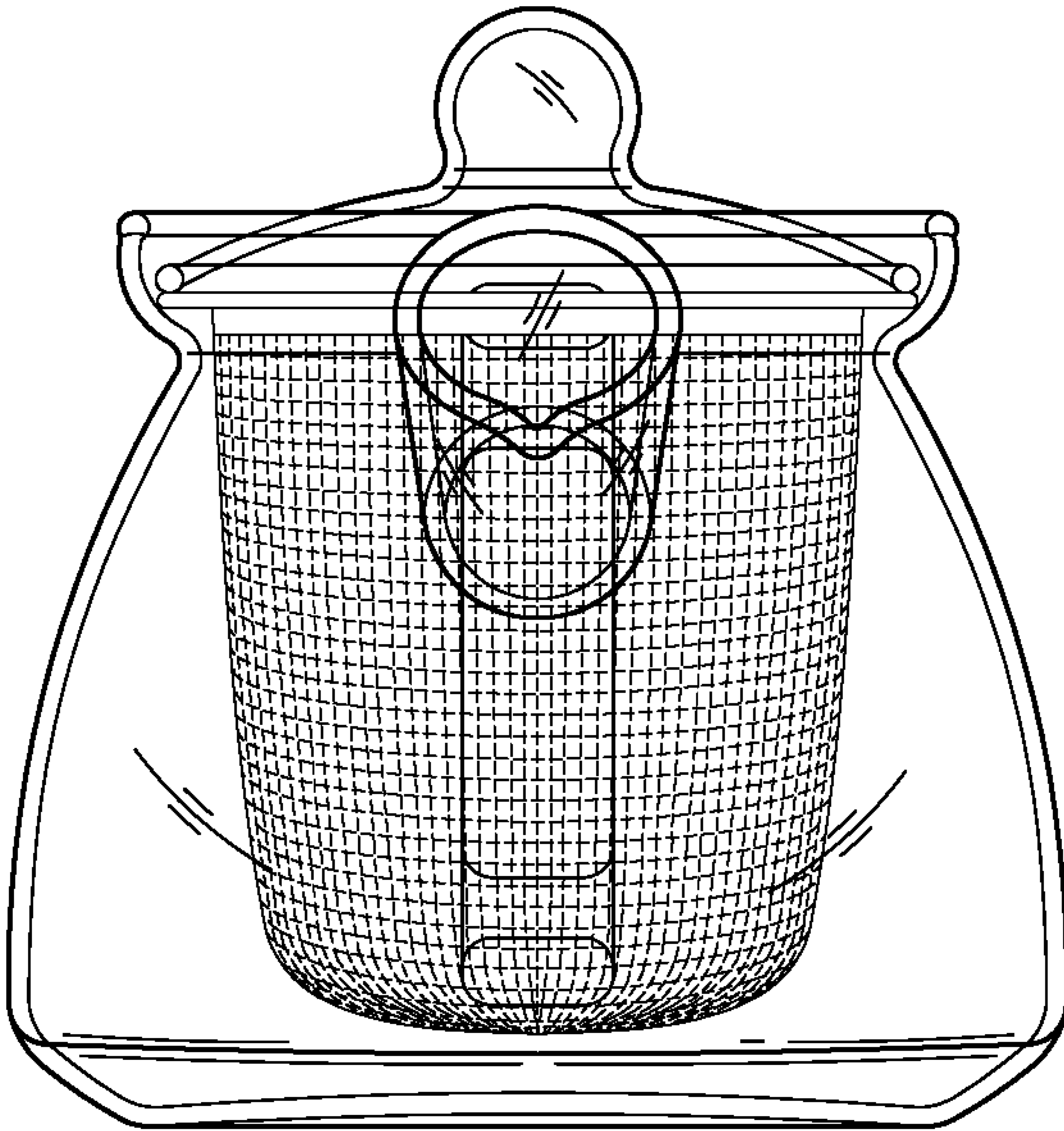


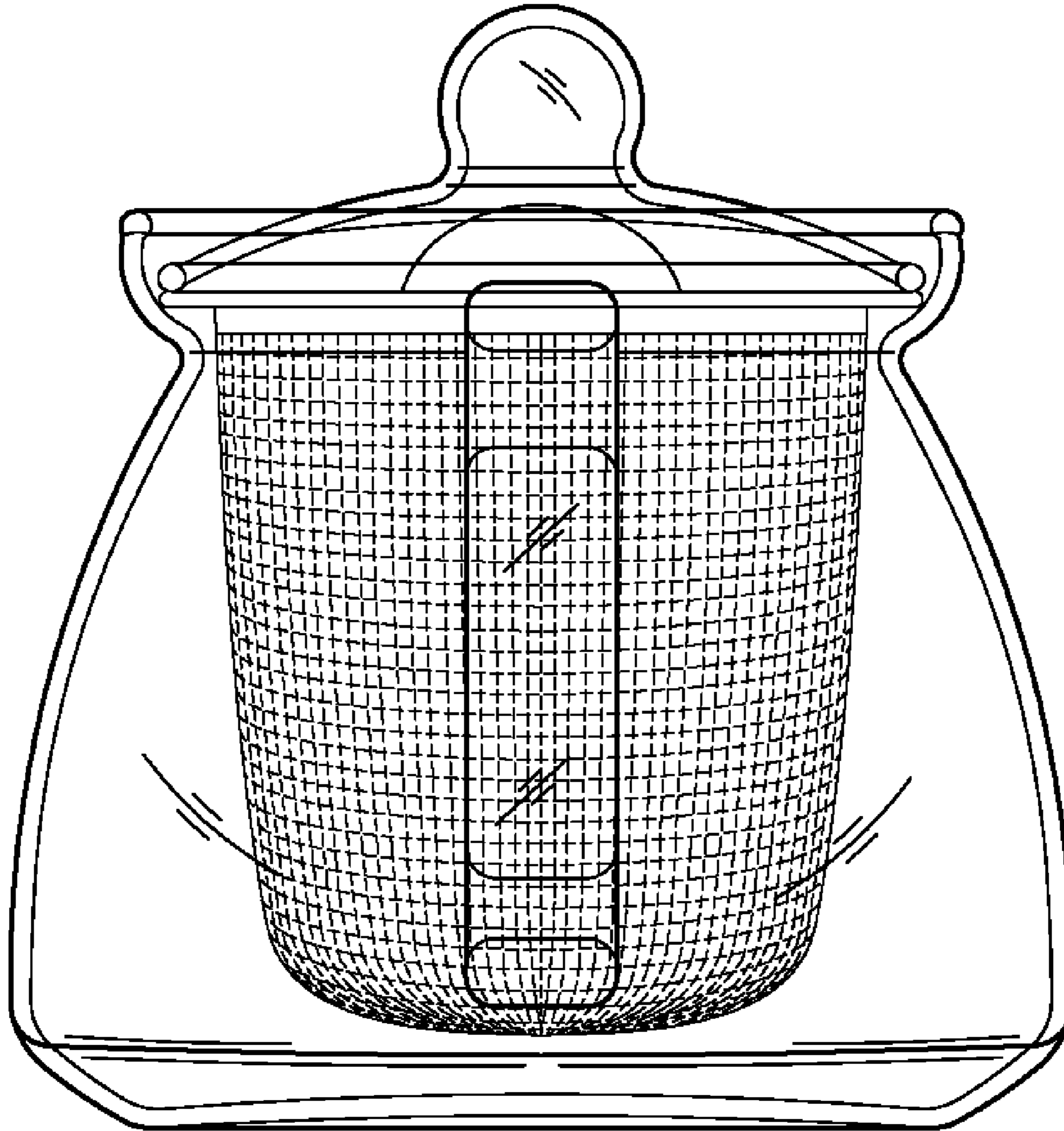
FIG. 8



**FIG. 9**



**FIG. 10**



**FIG. 11**

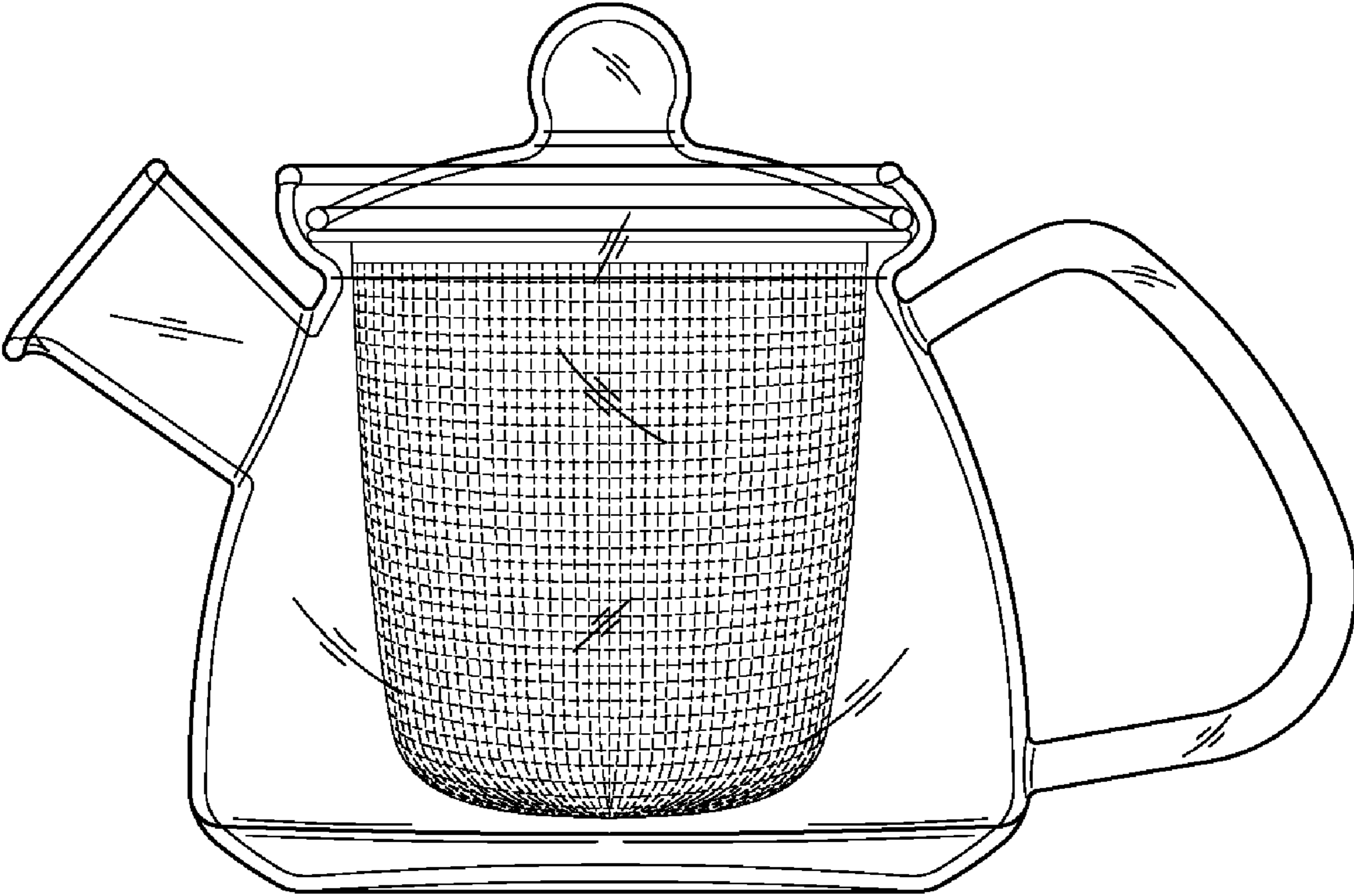


FIG. 12

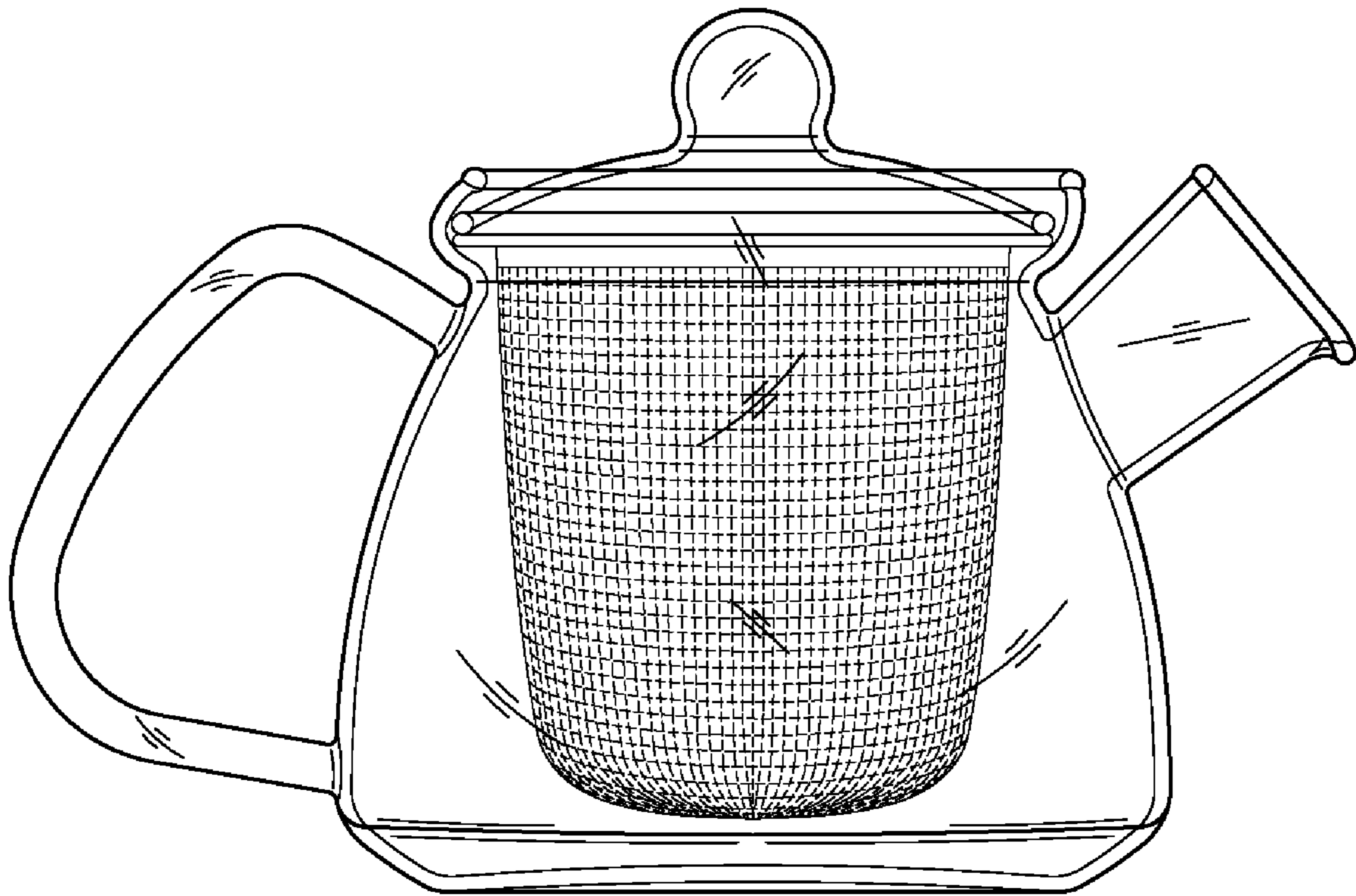


FIG. 13

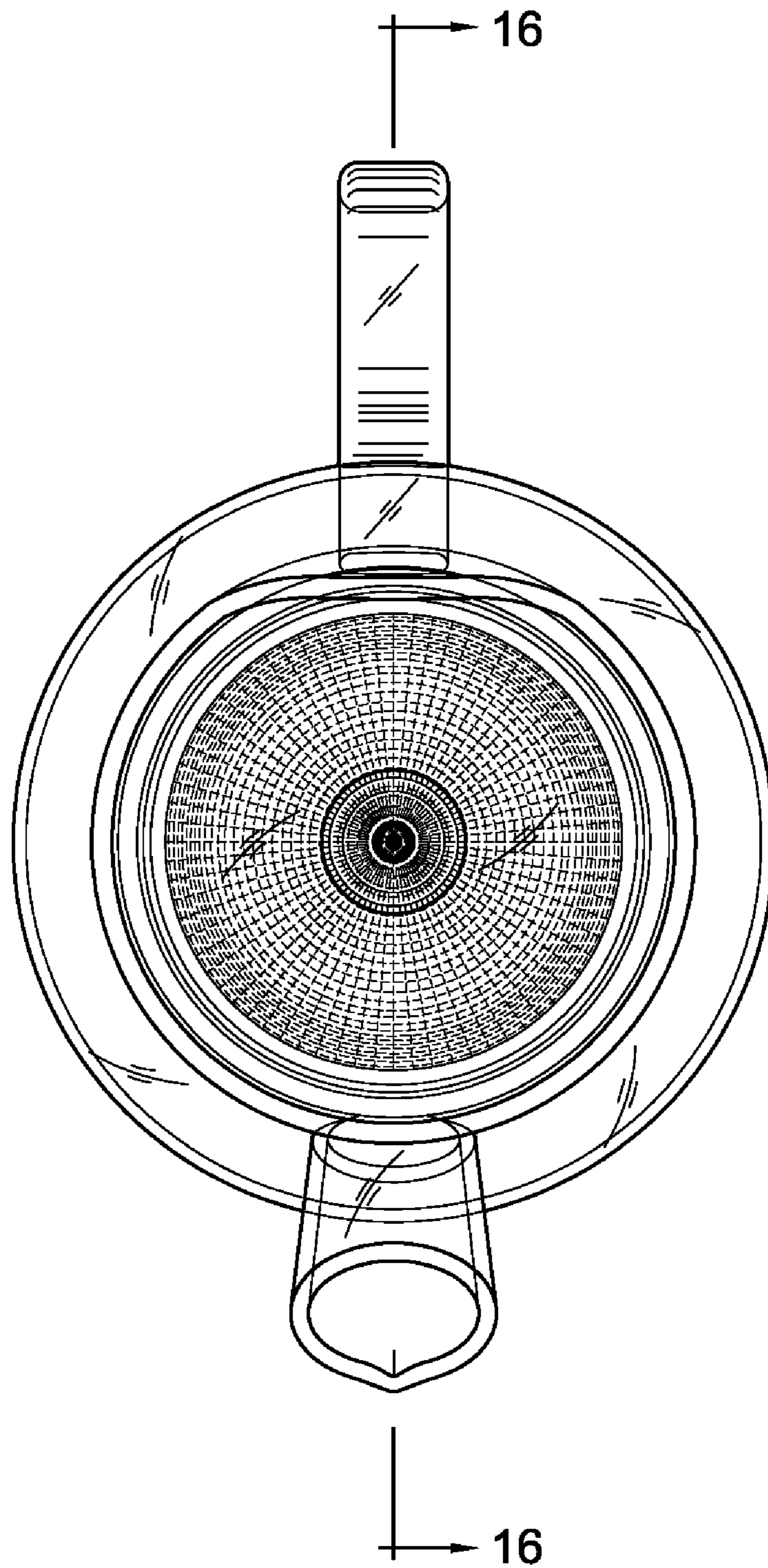
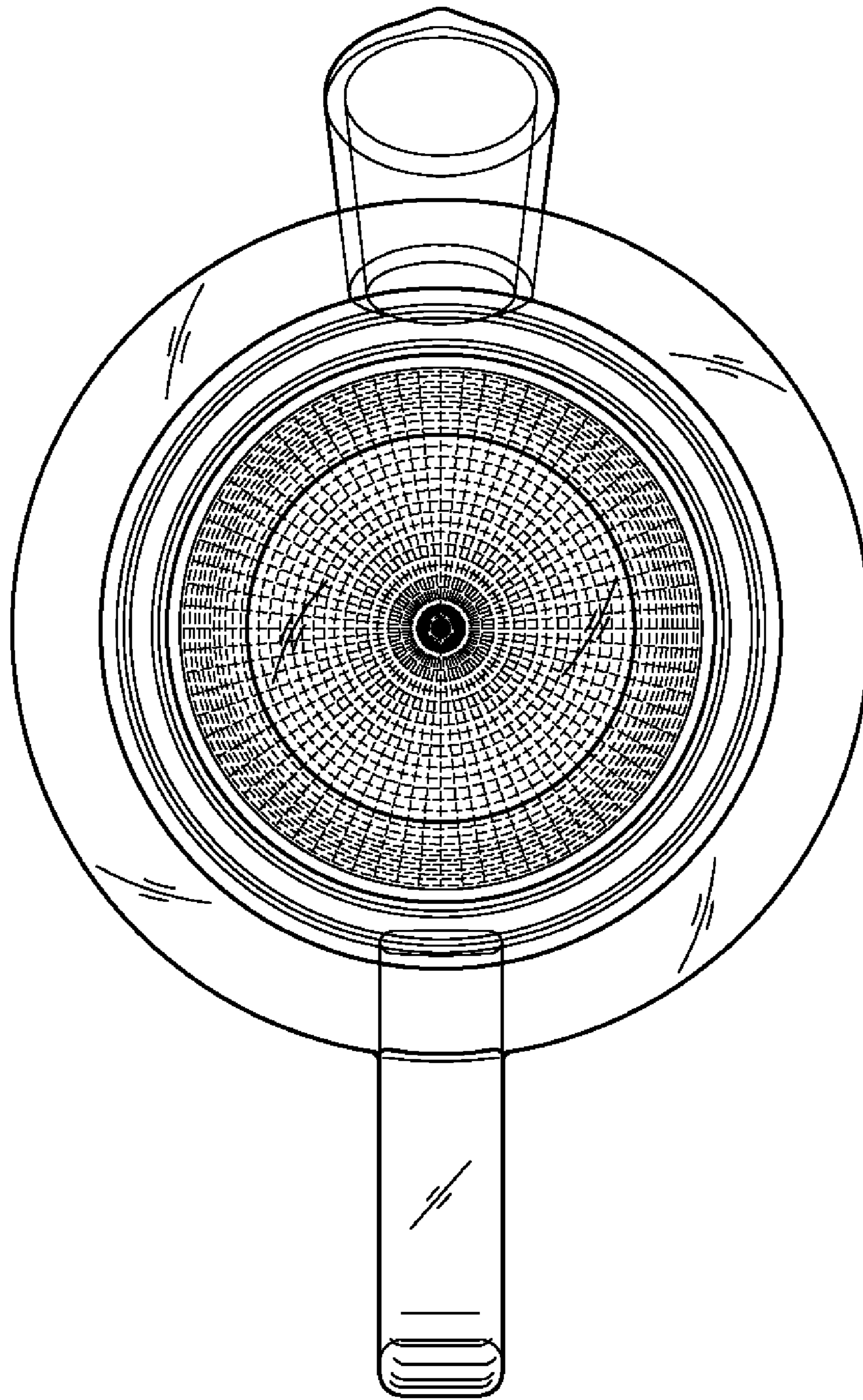


FIG. 14



**FIG. 15**



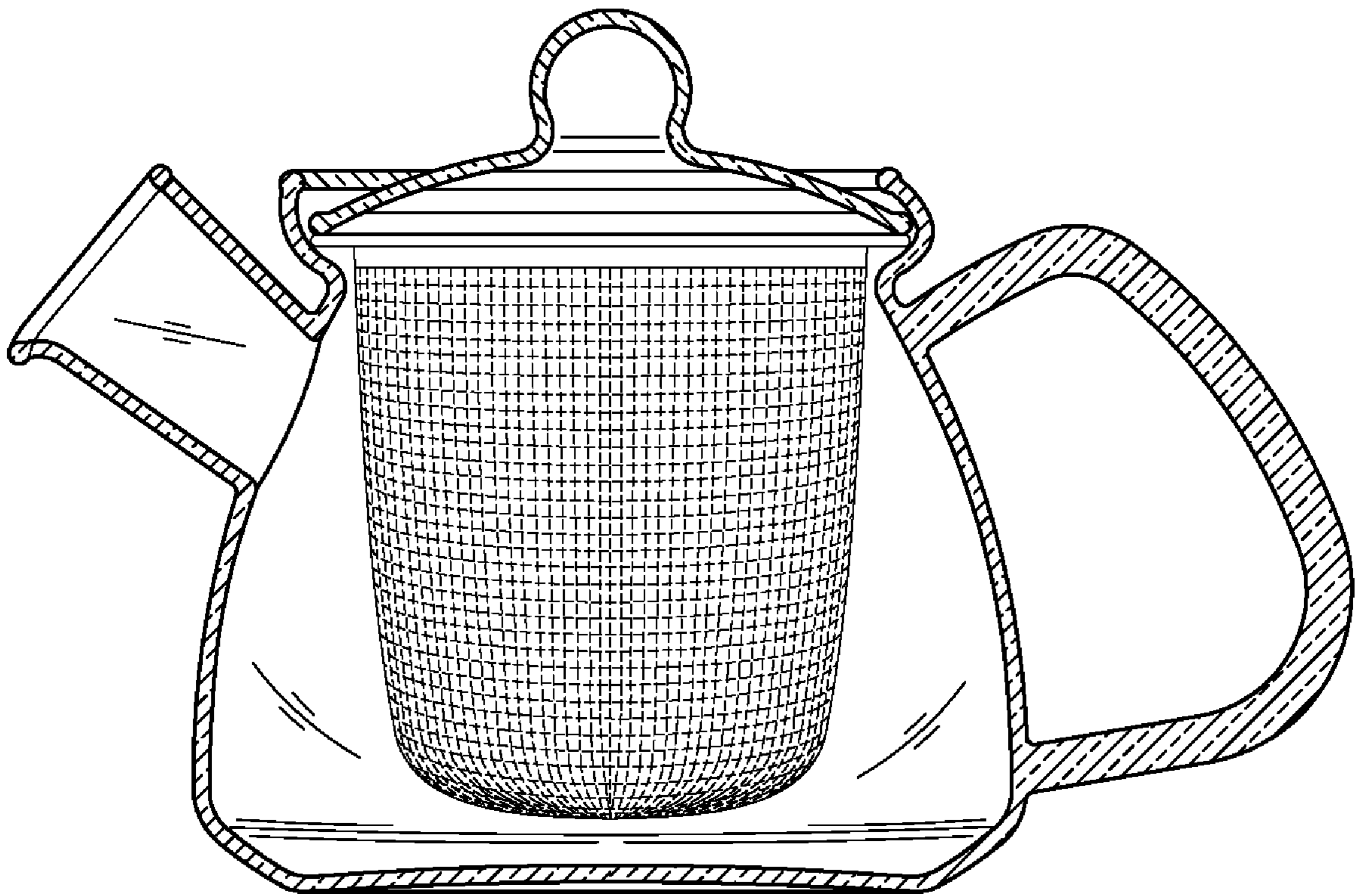


FIG. 16