



US00D603647S

(12) **United States Design Patent**
Bodum

(10) **Patent No.:** **US D603,647 S**

(45) **Date of Patent:** **** Nov. 10, 2009**

(54) **DOUBLE WALL COFFEE PRESS**
(75) Inventor: **Jorgen Bodum**, Meggen (CH)
(73) Assignee: **Pi-Design AG**, Triengen (CH)
(**) Term: **14 Years**

D553,419 S * 10/2007 Bodum D7/319
D553,898 S * 10/2007 De'Longhi D7/321
D560,951 S * 2/2008 Appleton D7/317
D561,519 S * 2/2008 Ranzoni D7/317
D584,559 S * 1/2009 Bodum D7/319
D587,059 S * 2/2009 Bodum D7/319
D587,513 S * 3/2009 Bodum D7/319

* cited by examiner

(21) Appl. No.: **29/299,818**

(22) Filed: **Jan. 4, 2008**

Primary Examiner—Marianne Pandozzi
(74) *Attorney, Agent, or Firm*—Cowan, Liebowitz & Latman, PC

(30) **Foreign Application Priority Data**

Jul. 6, 2007 (DK) DA 2007 00163

(57) **CLAIM**

(51) **LOC (9) Cl.** **07-01**
(52) **U.S. Cl.** **D7/318; D7/317**
(58) **Field of Classification Search** D7/300,
D7/316–319, 312, 691; D23/207, 209; 73/304 R;
210/482, 266, 85, 232; 222/131, 105; 229/123.2;
220/270, 663; 99/285, 281
See application file for complete search history.

The ornamental design for a double wall coffee press, as shown and described.

DESCRIPTION

(56) **References Cited**

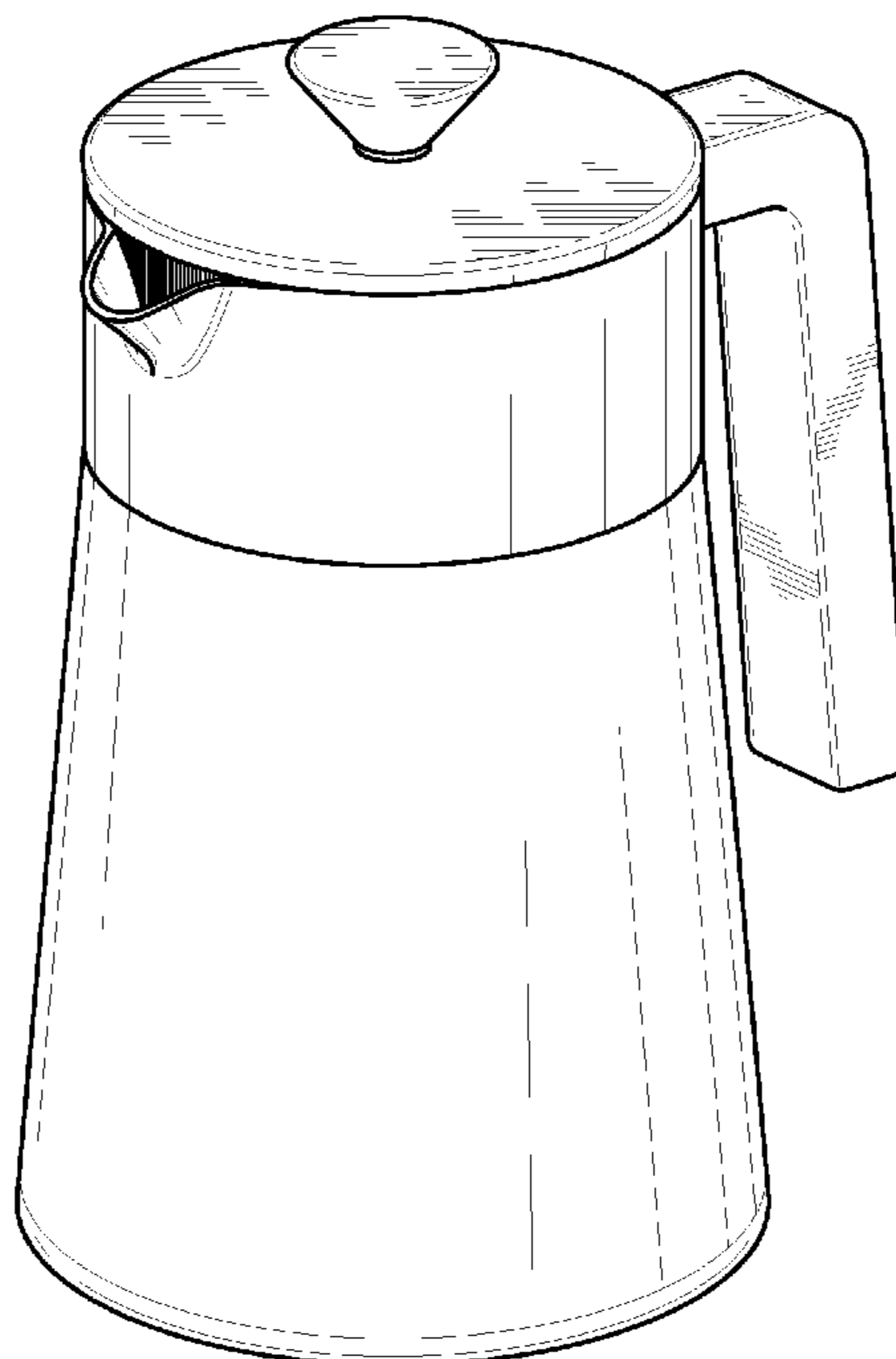
U.S. PATENT DOCUMENTS

D216,370 S * 12/1969 Smith D7/317
D217,734 S * 6/1970 Abramson et al. D7/317
D218,354 S * 8/1970 Kikuchi D7/317
D248,917 S * 8/1978 Kikuchi D7/321
D308,460 S * 6/1990 Balzano D7/317
D312,744 S * 12/1990 Jorgensen D7/317
D494,803 S * 8/2004 Bodum D7/319
D500,626 S * 1/2005 Ranzoni D7/317
D534,027 S * 12/2006 Huang D7/317
D542,078 S * 5/2007 Bodum D7/319
D548,510 S * 8/2007 Huang D7/318

FIG. 1 is a perspective view of the double wall coffee press showing my design thereof;
FIG. 2 is a front view thereof;
FIG. 3 is a back view thereof;
FIG. 4 is a right side view thereof;
FIG. 5 is a left side view thereof;
FIG. 6 is a top view thereof;
FIG. 7 is a bottom view thereof; and,
FIG. 8 is a cross-sectional view thereof taken along line 8—8 of FIG. 6.

The broken lines in FIG. 8 showing interior parts are included for the purpose of illustration and form no part of the claimed design.

1 Claim, 8 Drawing Sheets



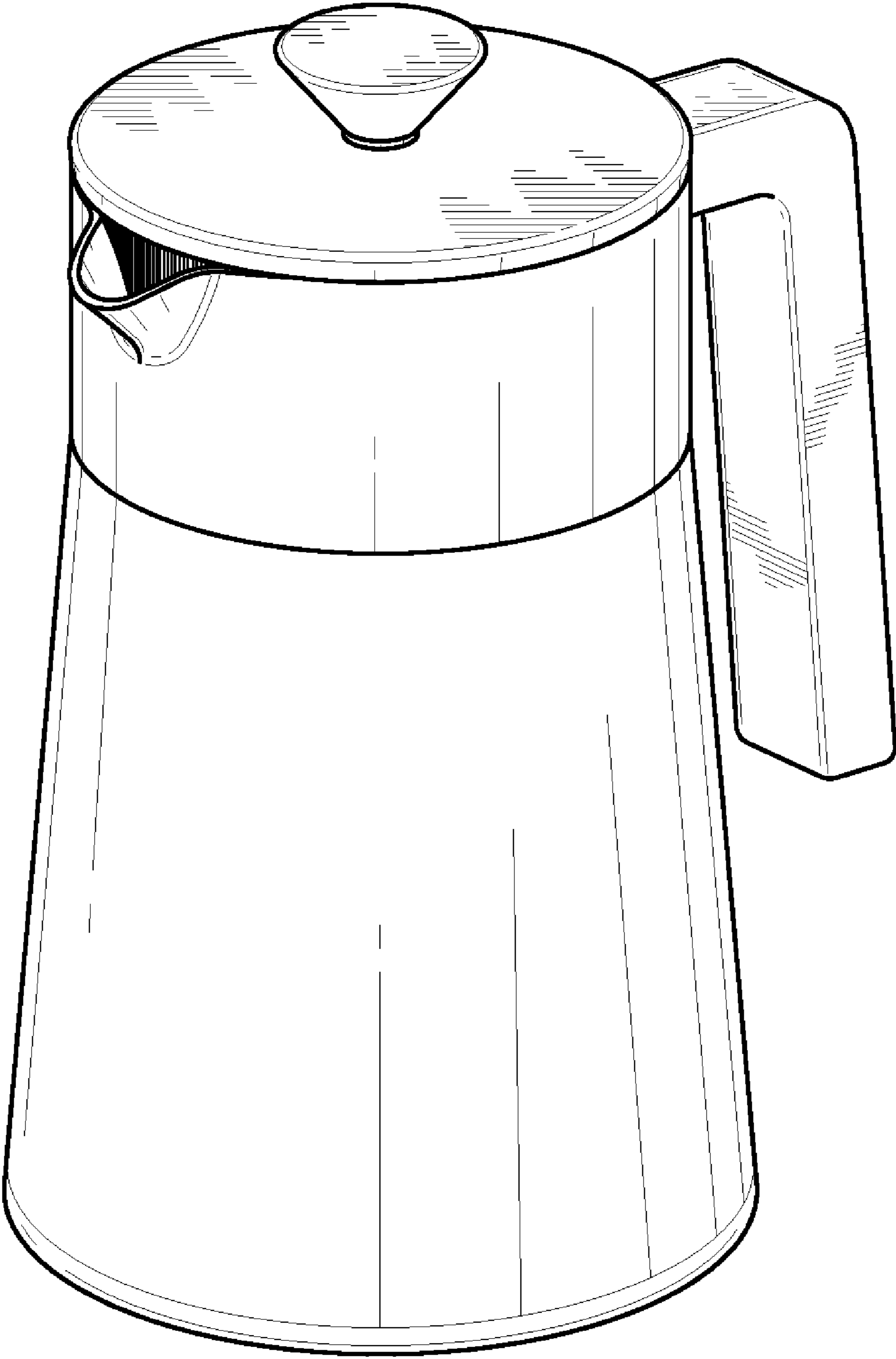


FIG. 1

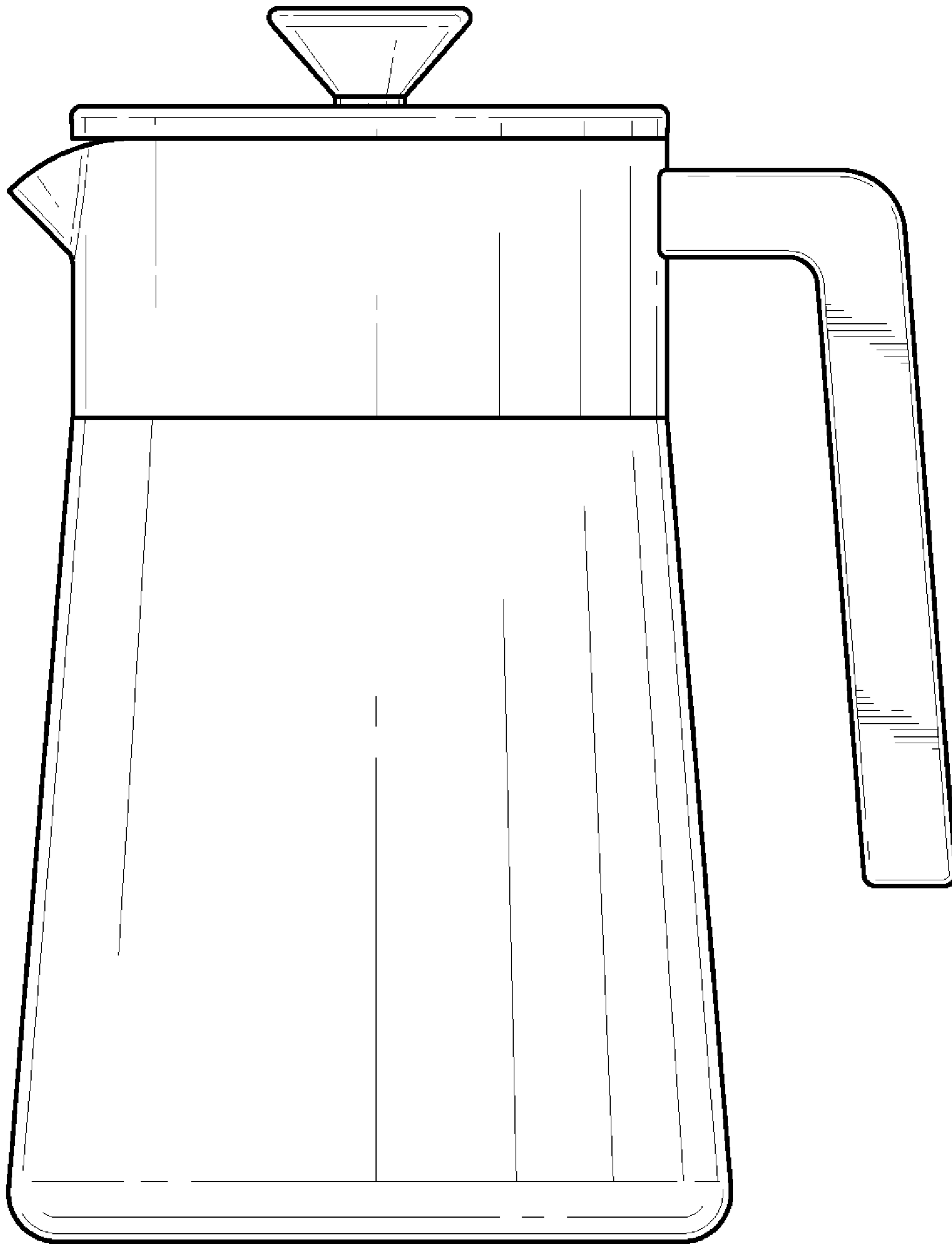


FIG. 2

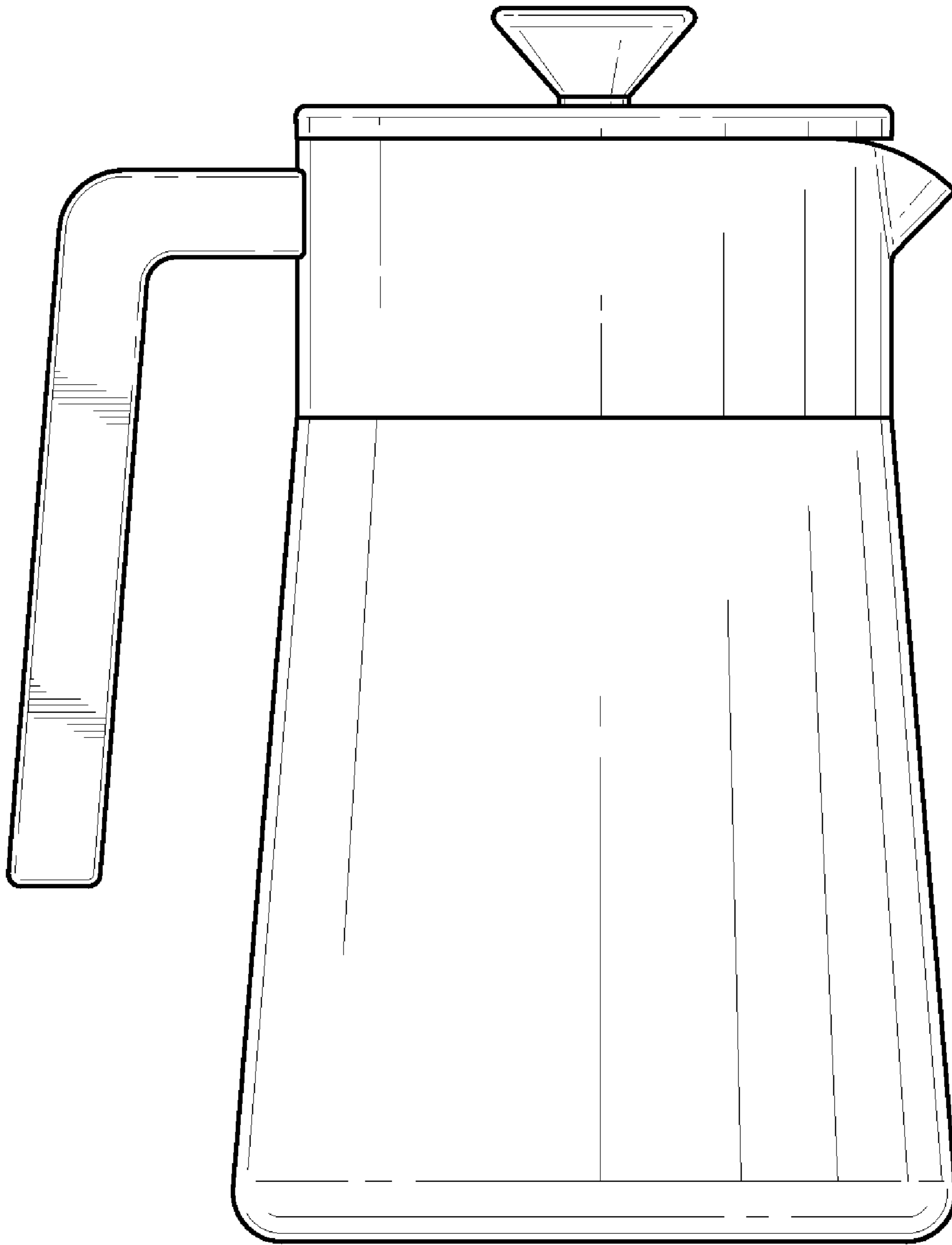


FIG. 3

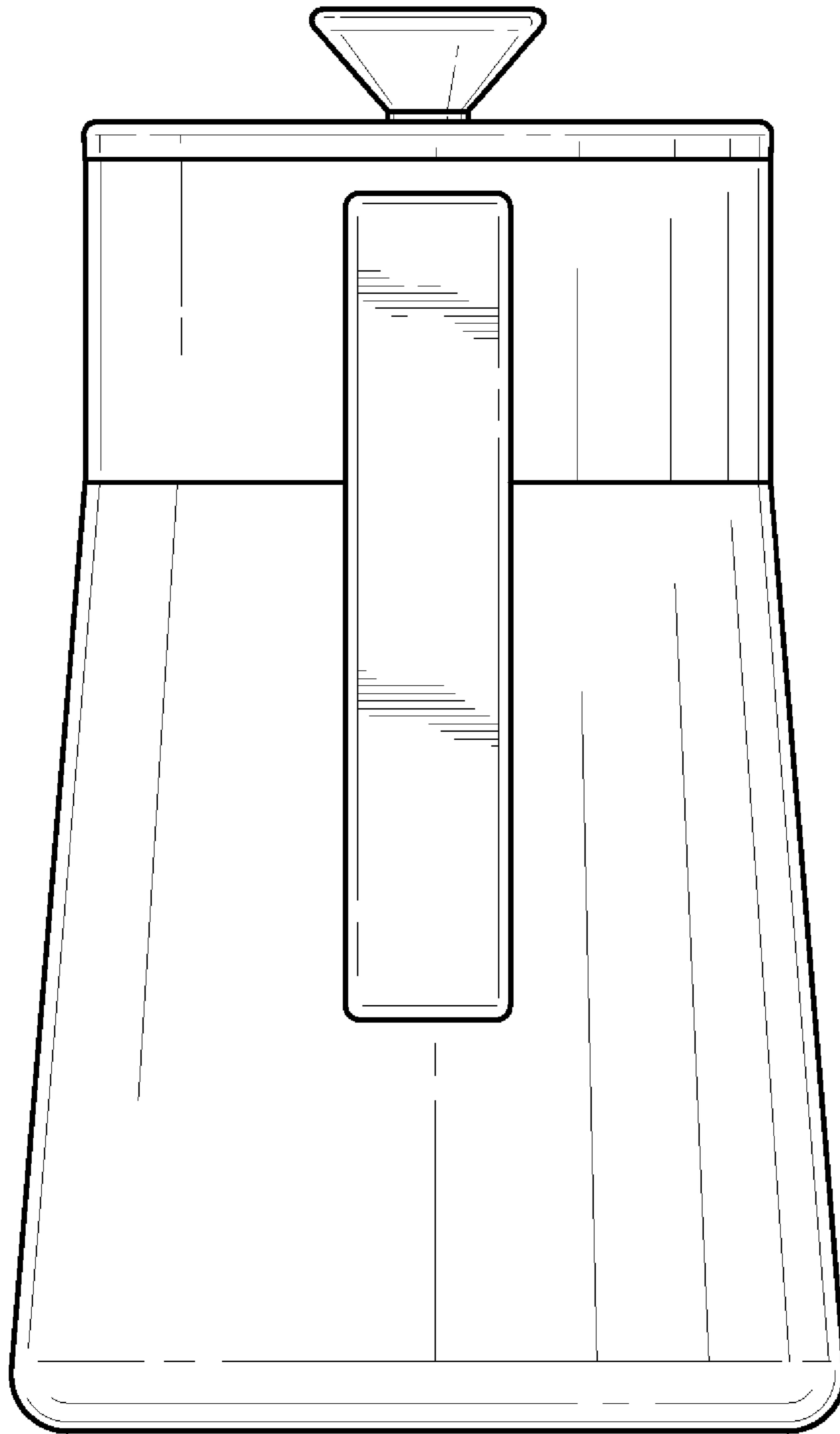


FIG. 4

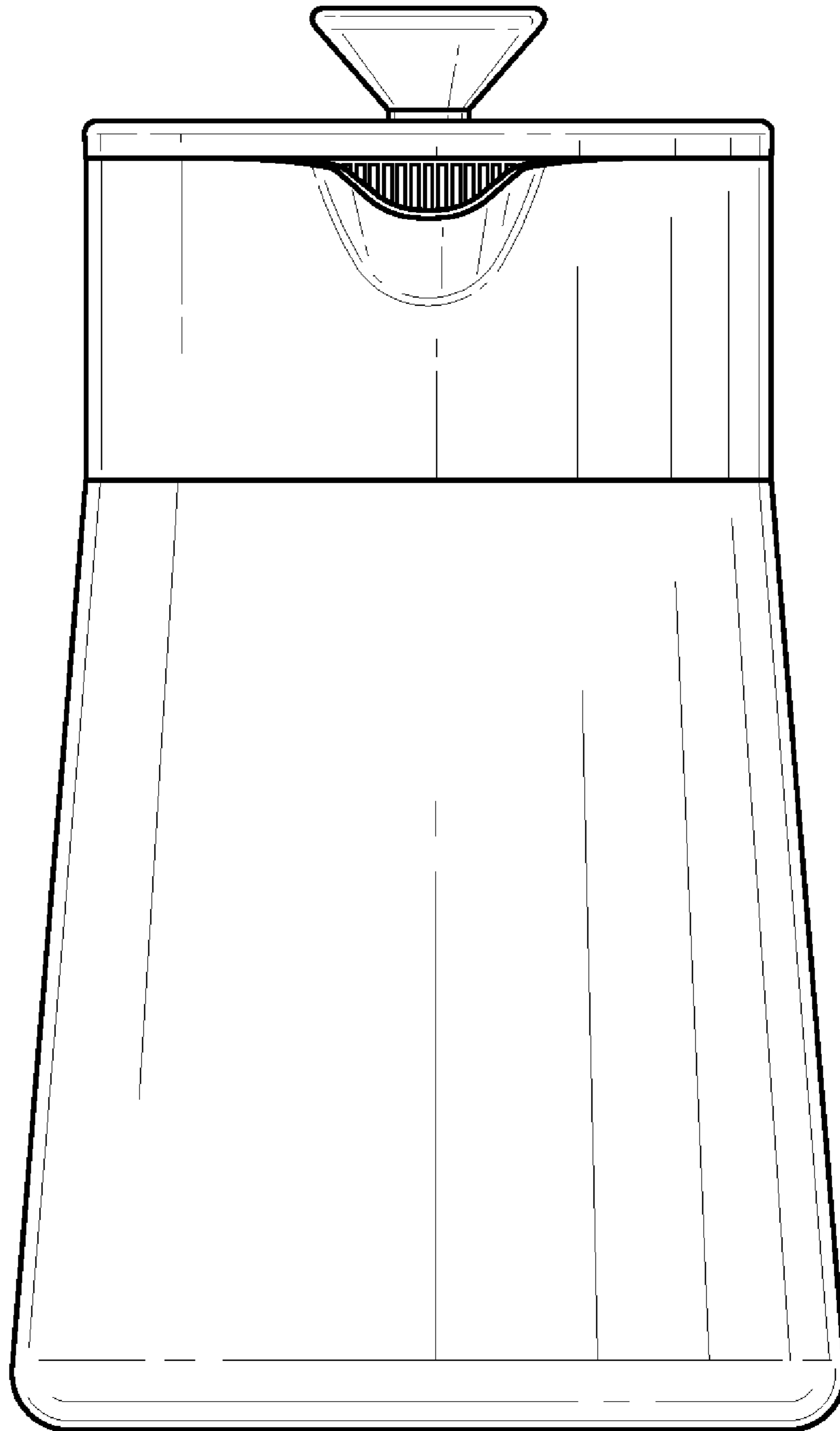


FIG. 5

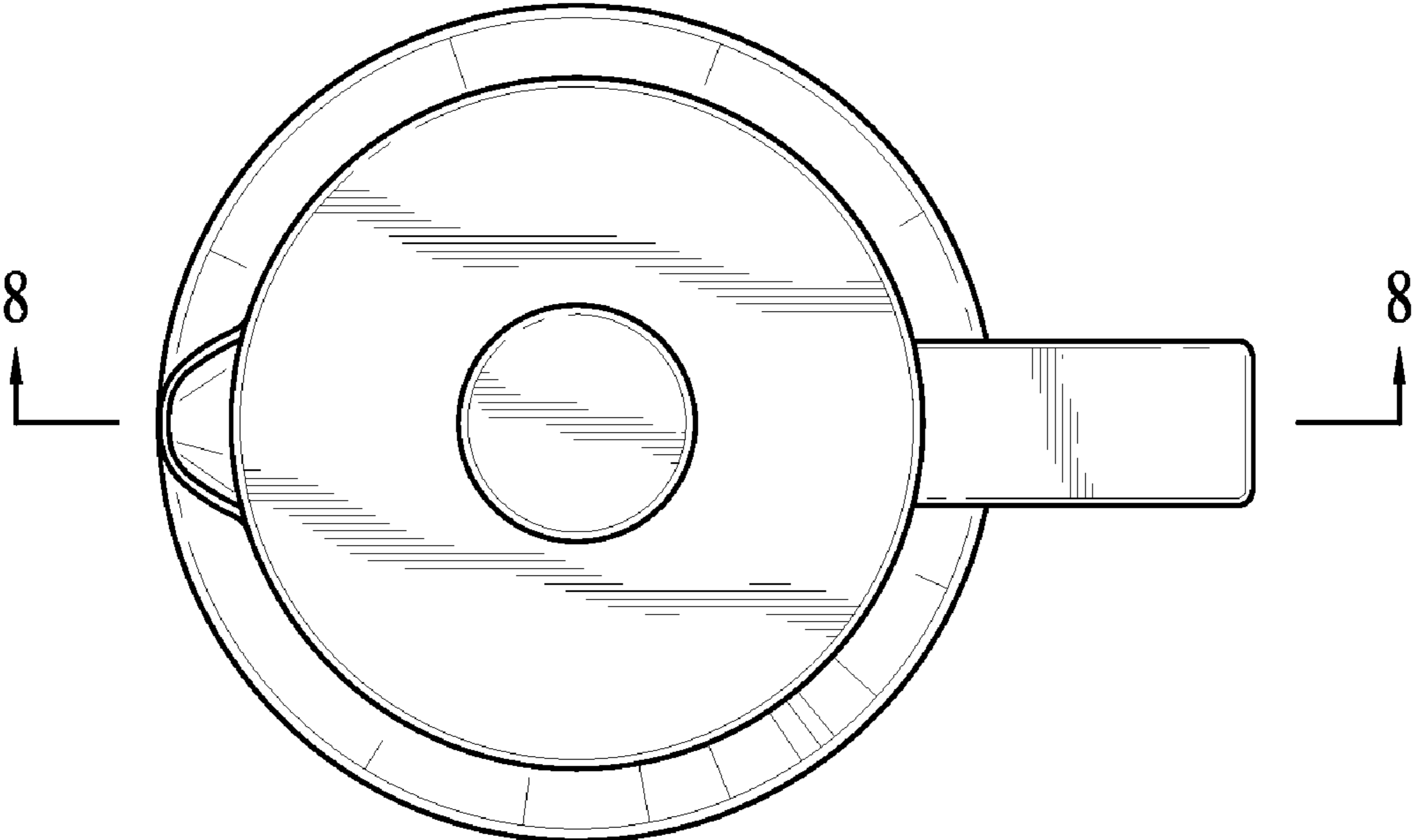


FIG. 6

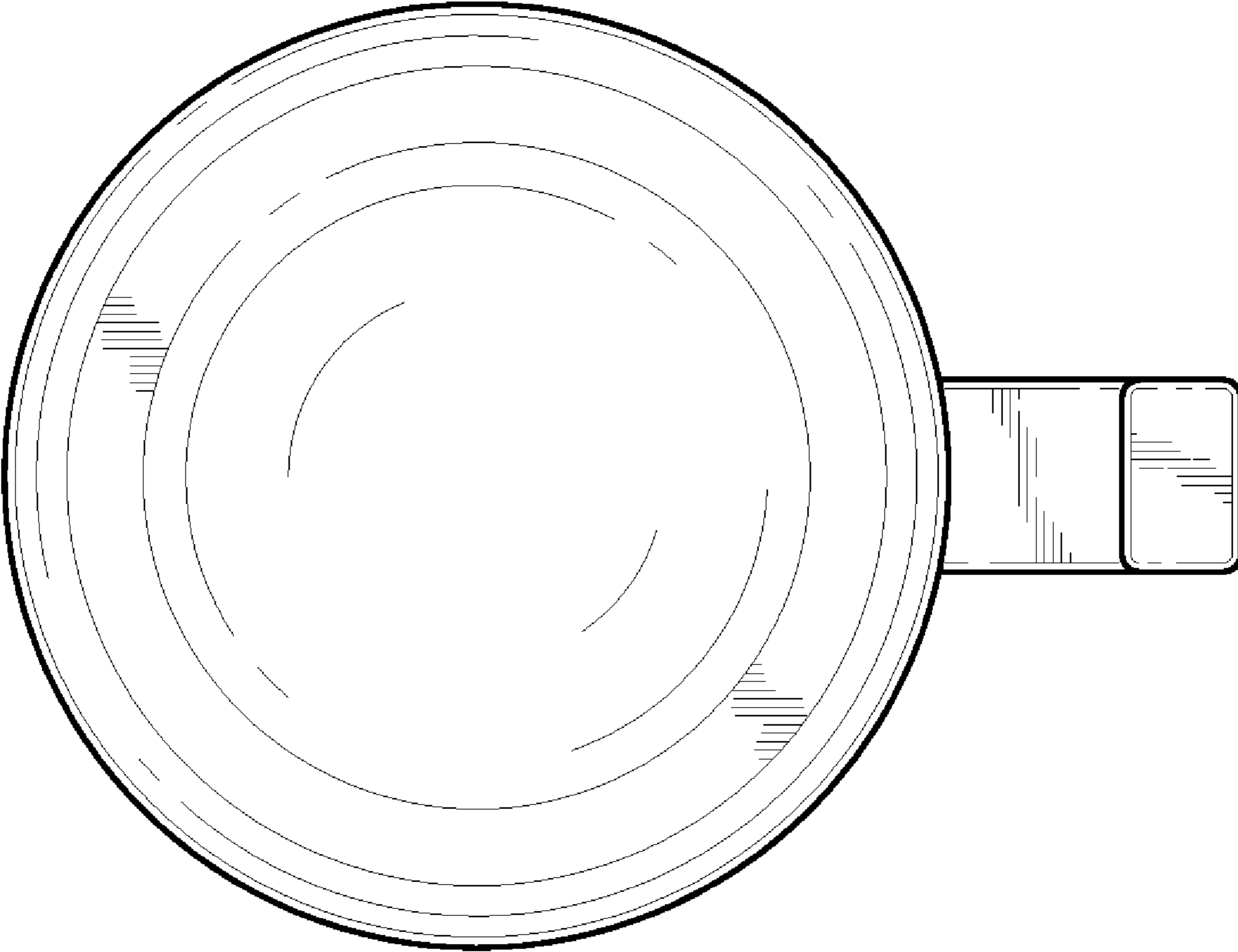


FIG. 7

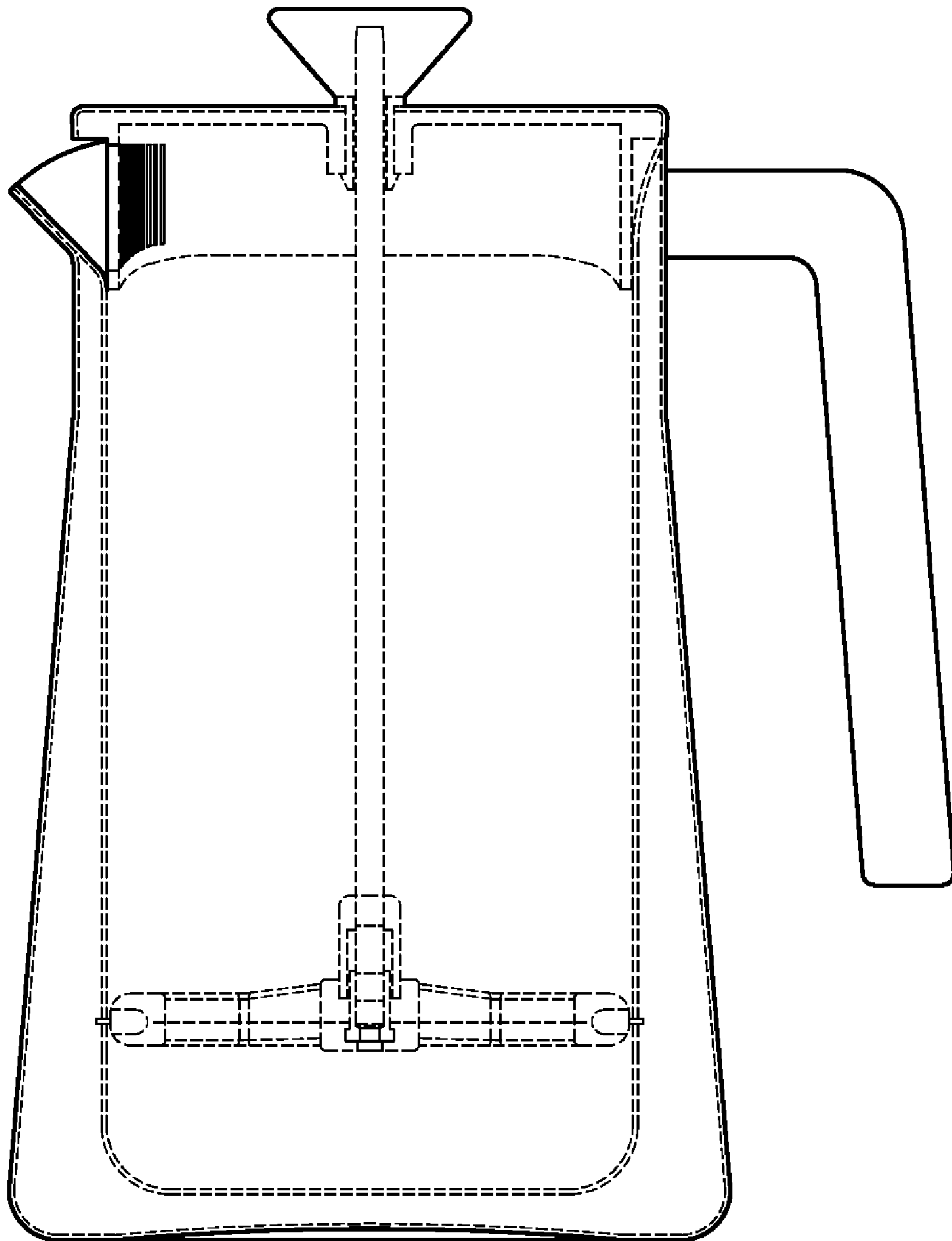


FIG. 8