

US00D603643S

(12) **United States Design Patent**
Keefe et al.

(10) **Patent No.:** **US D603,643 S**

(45) **Date of Patent:** **** Nov. 10, 2009**

(54) **PILLOW**

(76) Inventors: **Kathy Anne Keefe**, 2213 Galloway Dr.,
Oakville, ON L6H 5M1 (CA);
Kimberley Jane Renton, 1327 Prince
Albert Court, Mississauga, ON L5H 3R9
(CA)

(**) Term: **14 Years**

(21) Appl. No.: **29/311,271**

(22) Filed: **Feb. 5, 2009**

(51) **LOC (9) Cl.** **06-09**

(52) **U.S. Cl.** **D6/601**

(58) **Field of Classification Search** D6/595-599,
D6/601, 604; 5/630, 633, 636, 637, 735,
5/652-656, 655.3, 655.9, 706, 910, 922,
5/420; D21/803, 809

See application file for complete search history.

(56) **References Cited**

U.S. PATENT DOCUMENTS

D263,190 S * 3/1982 Herr D6/502
D282,037 S * 1/1986 Lawson et al. D6/606
D285,512 S * 9/1986 Bool D6/601

D375,222 S * 11/1996 Bonaddio et al. D6/601
D381,232 S * 7/1997 Jansson D6/596
D399,694 S * 10/1998 Laidlaw D6/601
D407,937 S * 4/1999 Klimenko D6/596
6,668,404 B2 * 12/2003 Lanteri 5/636
D575,974 S * 9/2008 Akamatsu et al. D6/606

* cited by examiner

Primary Examiner—Janice E Seeger

Assistant Examiner—Zenia I Bennett

(74) *Attorney, Agent, or Firm*—George A. Seaby

(57) **CLAIM**

The ornamental design for a pillow, as shown and described.

DESCRIPTION

FIG. 1 is a perspective view showing my new design;

FIG. 2 is another perspective view;

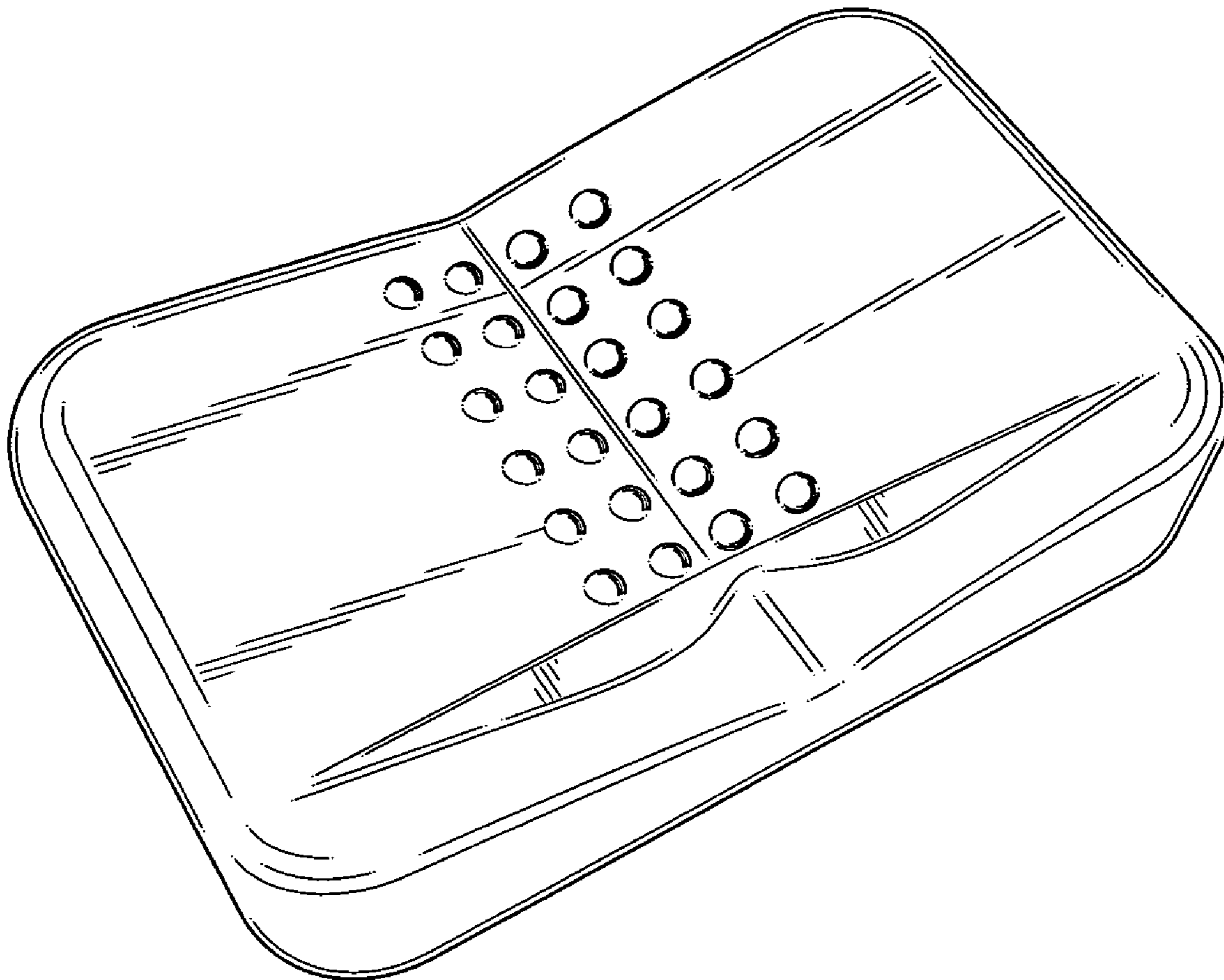
FIG. 3 is a front elevational view;

FIG. 4 is a rear elevational view;

FIG. 5 is a side view thereof; and,

FIG. 6 is a bottom view thereof.

1 Claim, 2 Drawing Sheets



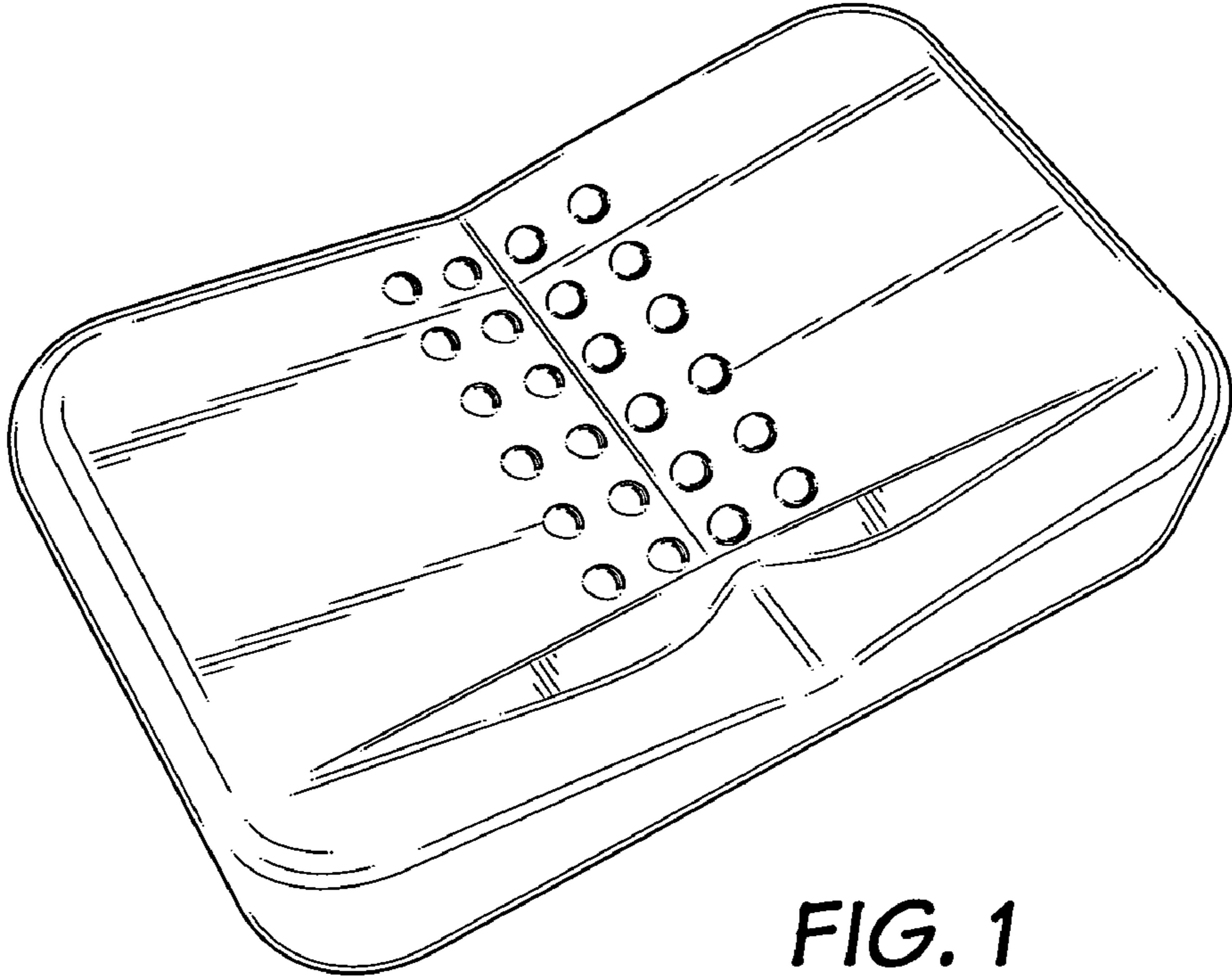


FIG. 1

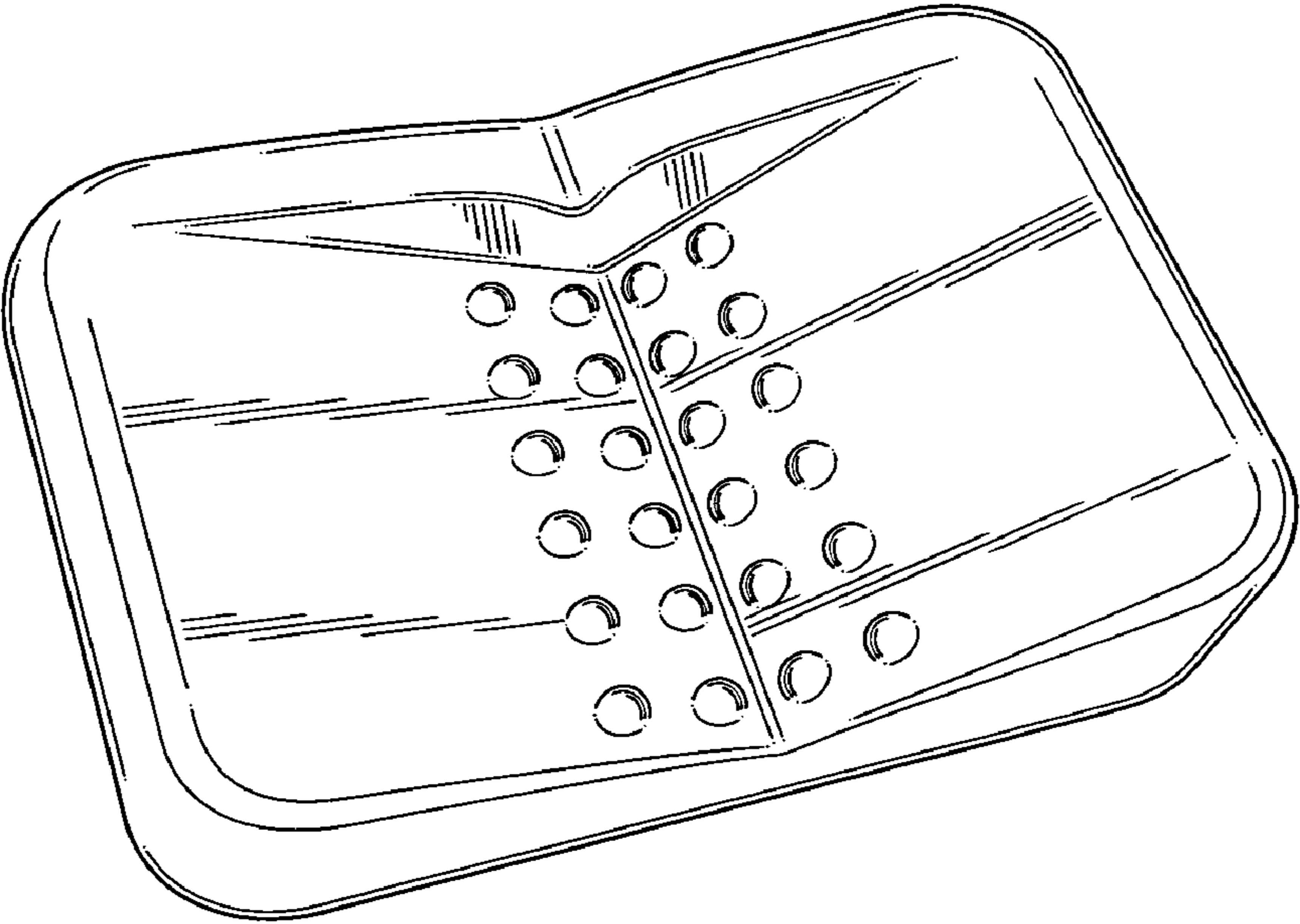


FIG. 2

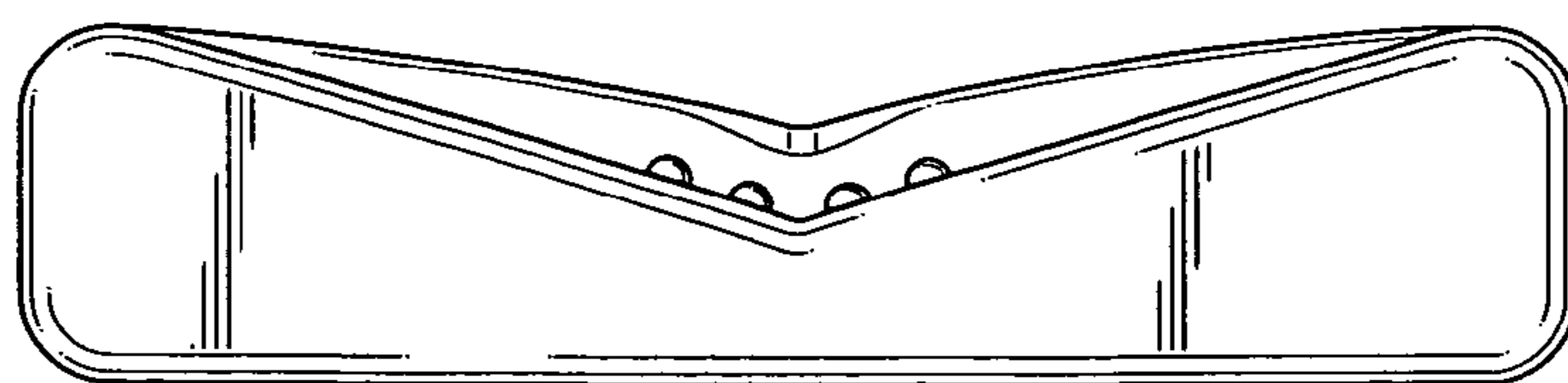


FIG. 3

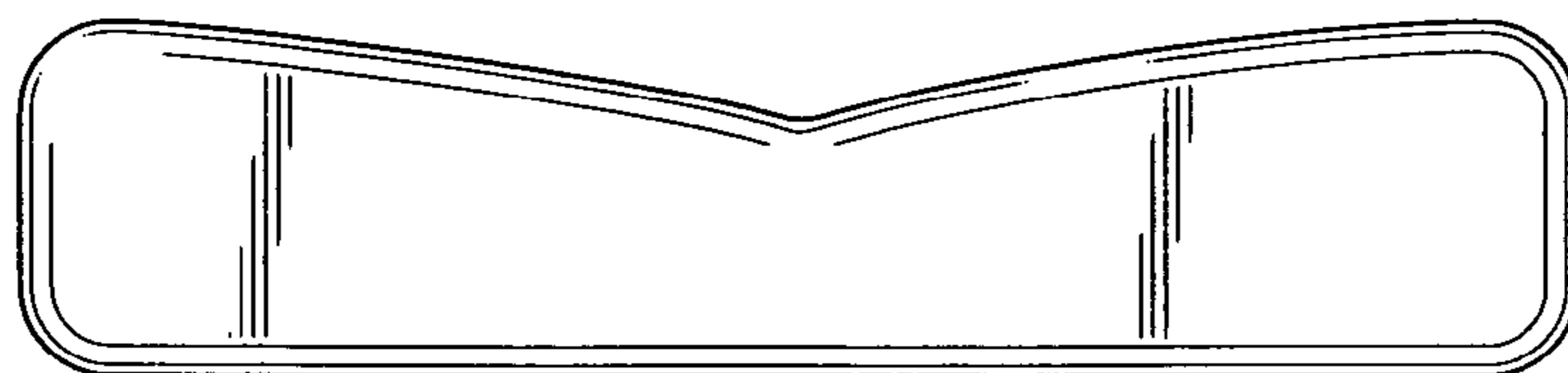


FIG. 4



FIG. 5

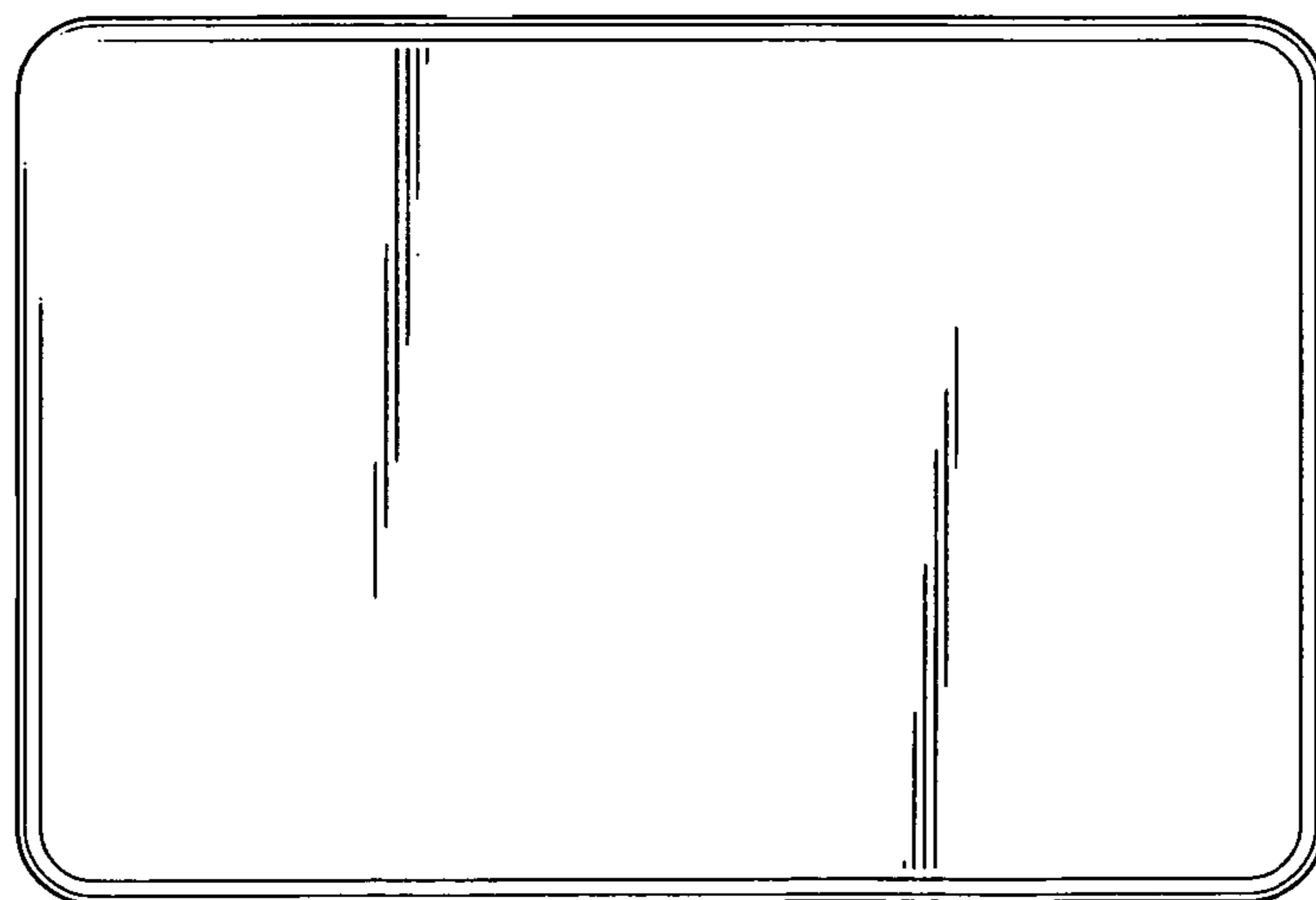


FIG. 6